



VN	VIETNAM
----	---------

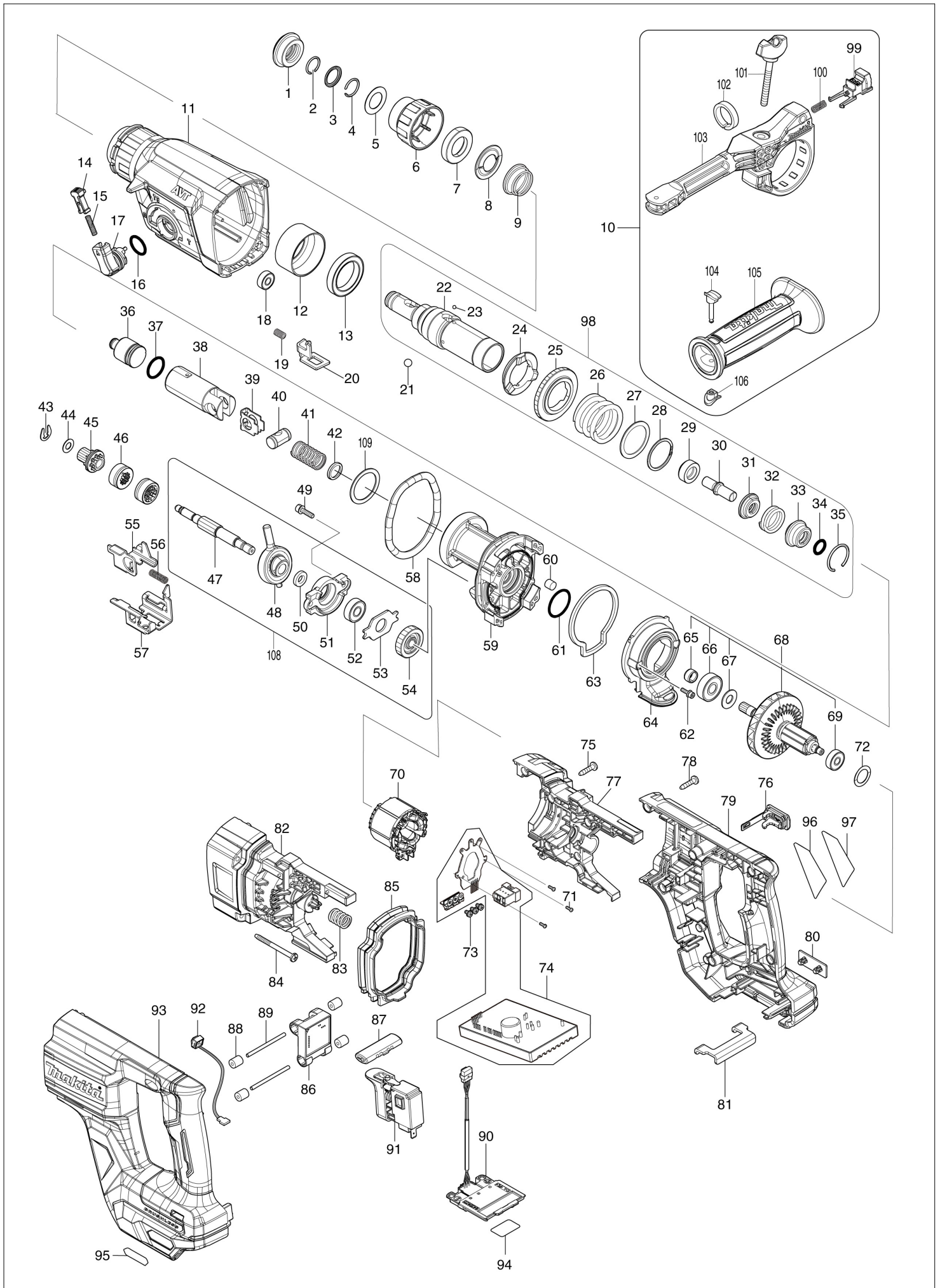
Diagram / Parts List

HR007G

28MM CORDLESS ROTARY HAMMER



(VN) HR007G / 28MM CORDLESS ROTARY HAMMER



VN	VIETNAM
-----------	----------------

HR007G / 28MM CORDLESS ROTARY HAMMER

Item	Sub	Parts No.	Parts Description	Qty	I/C	E/C No.	Close No.	Remark
001		286288-8	CAP 35	1				
002		233989-9	RING SPRING 14	1				
003		346834-0	WASHER 16	1				
004		233992-0	RING SPRING 15	1				
005		267114-0	FLAT WASHER 17	1				
006		455393-4	CHUCK COVER	1				
007		325813-1	RING 21	1				
008		346177-0	GUIDE WASHER	1				
009		233916-6	CONICAL COMP. SPRING 21-29	1				
010		122A94-2	GRIP ASSEMBLY	1				
	D10		INC. 99-106					
011		140D00-3	GEAR HOUSING COMPLETE	1				
	C10	213636-8	OIL SEAL 25	1				
012		331890-3	CUP SLEEVE	1				
013		211294-4	BALL BEARING 6806LLU	1				
014		457709-9	LOCK BUTTON	1				
015		234264-6	COMPRESSION SPRING 3	1				
016		213278-8	O RING 17	1				
017		161656-5	CHANGE LEVER COMPLETE	1				
018		210028-2	BALL BEARING 606ZZ	1				
019		233360-7	COMPRESSION SPRING 4	1				
020		347228-2	LOCK PLATE	1				
021		216022-2	STEEL BALL 7.0	2				
022		142972-4	TOOL HOLDER COMPLETE	1				
	C10	213344-1	OIL SEAL 9	1				
023		216019-1	STEEL BALL 3	4				
024		332139-4	DRIVING FLANGE	1				
025		227360-7	SPUR GEAR 51	1				
026		234148-8	COMPRESSION SPRING 31	1				
027		267153-0	FLAT WASHER 30	1				
028		257932-4	SPIRO LOCK WASHER 30	1				
029		325783-4	SLEEVE 9B	1				
030		325789-2	IMPACT BOLT A	1				
031		325792-3	WASHER 10	1				
032		234149-6	COMPRESSION SPRING 20	1				
033		325793-1	O-RING CASE B	1				
034		213073-6	O RING 9	1				
035		233979-2	RING SPRING 28	1				
036		327890-9	STRIKER	1				
037		213258-4	O RING 17.5	1				
038		327079-9	PISTON CYLINDER	1				
039		346036-8	GUIDE PLATE	1				
040		324215-8	PISTON JOINT	1				
041		232752-7	COMPRESSION SPRING 14	1				
042		253569-5	CUP WAHSER 14	1				
043		257336-0	STOP RING EXT U-6	1				
044		253186-1	FLAT WASHER 7	1				
045		227359-2	SPUR GEAR 10	1				
046		310678-4	CLUTCH CAM	2				
047		327889-4	CAM SHAFT	1				
048		219030-2	SWASH BEARING 10	1				
049		266437-3	HEX. SOCKET HEAD BOLT M4X16	2				
050		257321-3	RING 8	1				
051		310344-3	BEARING BOX	1				
052		211032-4	BALL BEARING 608ZZ	1				
053		285735-6	BEARING RETAINER	1				
054		227719-8	HELICAL GEAR 26	1				
055		347230-5	CHANGE PLATE B	1				
056		234343-0	COMPRESSION SPRING 5	1				
057		347882-2	CHANGE PLATE A	1				
058		213728-3	O-RING 68	1				
059		141F42-2	INNER HOUSING COMPLETE	1				
	C10	213678-2	OIL SEAL 12	1				
060		443153-6	FELT	1				
061		213407-3	O RING 26	1				

B:HR007GM201(H)

Interchange
 O : Yes
 X : No
 < : the new part can be substituted for the current.
 > : the current part can be substituted for the new.
 S : Interchangeable as a set.

VN	VIETNAM
-----------	----------------

HR007G / 28MM CORDLESS ROTARY HAMMER

Item	Sub	Parts No.	Parts Description	Qty	I/C	E/C No.	Close No.	Remark
062		251568-1	H.S.H.BOLT M3X12 WITH WR	2				
063		422780-2	SPONGE SHEET	1				
064		413A23-9	AIR DUCT	1				
065		262207-8	SLEEVE 9	1				
066		210042-8	BALL BEARING 629LLB	1				
067		253733-8	FLAT WASHER 9	1				
068		519715-3	ROTOR ASS'Y	1				
	D10		INC. 65-67,69					
069		210022-4	BALL BEARING 626DDW	1				
070		629A89-1	STATOR	1				
071		266490-9	TAPPING SCREW PT 2X6	3				
072		267804-5	WAVE WASHER 15	1				
073		652069-6	FLAT HEAD SCREW M3X6	3				
074		620G36-1	CONTROLLER	1				
075		266326-2	TAPPING SCREW 4X18	5				
076		140G30-2	CAP COMPLETE	1				
	C10	213A05-9	O-RING16	1				
077		183U22-2	MOTOR HOUSING SET	1				
	D10		INC. 82					
078		266326-2	TAPPING SCREW 4X18	7				
079		183U19-1	HANDLE SET	1				
	C10	263005-3	RUBBER PIN 6	2				
	D10		INC. 93					
080		459753-2	CAP	1				
081		347885-6	SUPPORT PLATE	1				
082		183U22-2	MOTOR HOUSING SET	1				
	D10		INC. 77					
083		232436-7	COMPRESSION SPRING 10	1				
084		266091-3	TAPPING SCREW 4X50	4				
085		422779-7	BELLOWS	1				
086		620G35-3	ACCELEROMETER CIRCUIT	1				
087		453124-5	F/R CHANGE LEVER	1				
088		422472-3	SPONGE SLEEVE 3	4				
089		256886-2	ROD 3	2				
090		632R98-3	TERMINAL UNIT	1				
091		651439-6	SWITCH C3JR-4B-2	1				
092		620G34-5	LED CIRCUIT	1				
093		183U19-1	HANDLE SET	1				
	C10	263005-3	RUBBER PIN 6	2				
	D10		INC. 79					
094		8113R6-5	HR007G SERIAL NO. LABEL	1				
095		8012U4-2	XGT LOGO LABEL	1				
096		8113P9-5	HR007G NAME PLATE	1				
097		8043W5-9	CLEAR LABEL	1				
098		135966-6	TOOL HOLDER ASSY	1				
	D10		INC. 22-35					
099		144959-2	LOCK BUTTON COMPLETE	1				
100		233360-7	COMPRESSION SPRING 4	1				
101		265625-9	THUMB SCREW M6X50	1				
102		422258-5	SPONGE SHEET	1				
103		413A49-1	SIDE HANDLE BASE	1				
	C10	931302-2	HEX. NUT M6	1				
104		161838-9	FIX PIN	1				
105		458357-7	GRIP 36	1				
106		422255-1	CAP	1				
108		136584-3	CAM SHAFT ASS'Y	1				
	D10		INC. 47,48,50-54					
109		267153-0	FLAT WASHER 30	1				
A01		194683-7	GREASE VESSEL SET	1				
A02		331886-4	DEPTH GAUGE	1				
A03		413A50-6	AIR DUCT CAP	1				
A04		443122-7	CLOTH	1				
A05B		821864-7		1				
	C10	162271-8	LATCH	2				
A07B		412393-7	BATTERY COVER	1				

B:HR007GM201(H)

Interchange

O : Yes

X : No

< : the new part can be substituted for the current.

> : the current part can be substituted for the new.

S : Interchangeable as a set.

