



VN	VIETNAM
----	---------

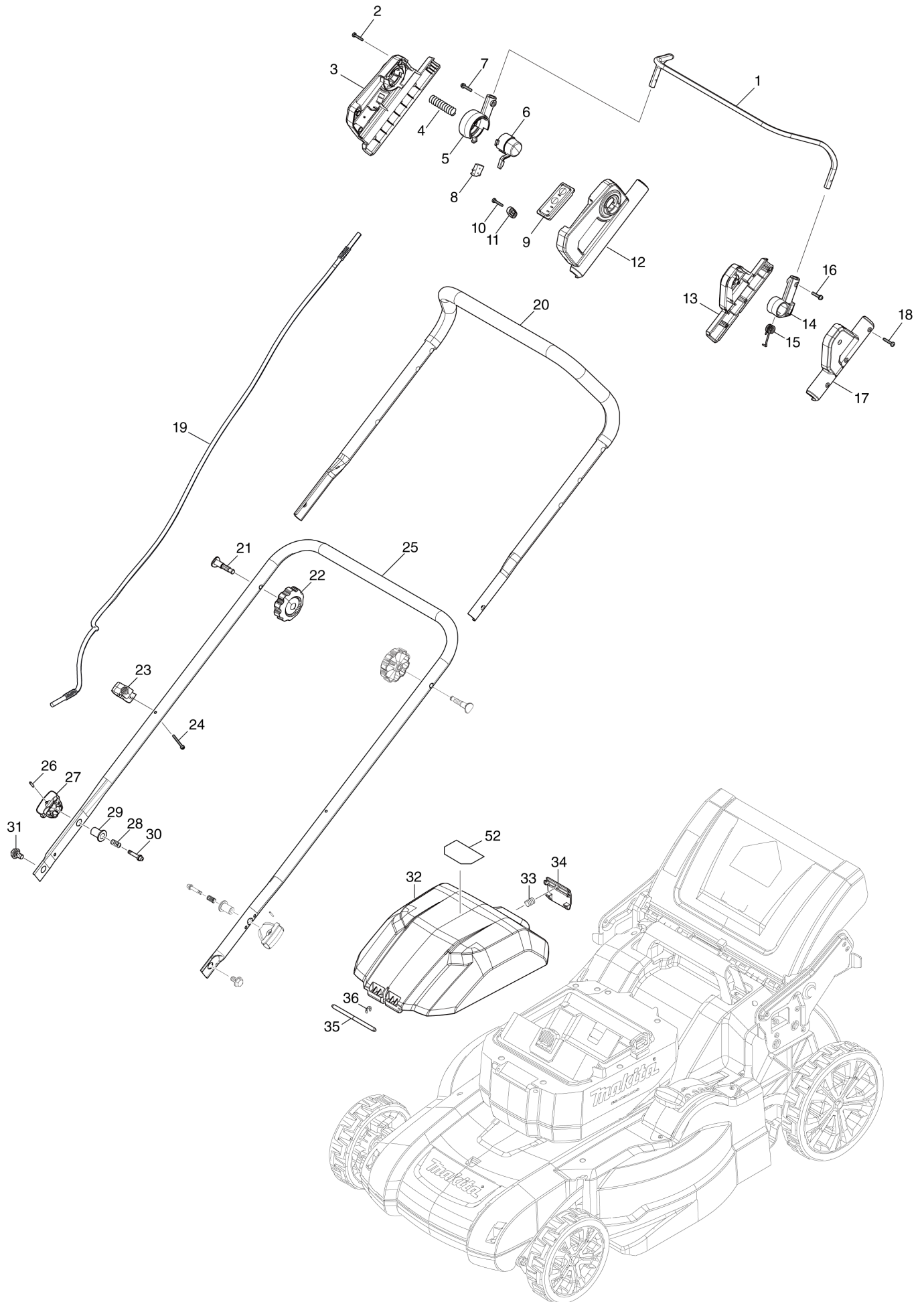
# Diagram / Parts List

**LM002J**

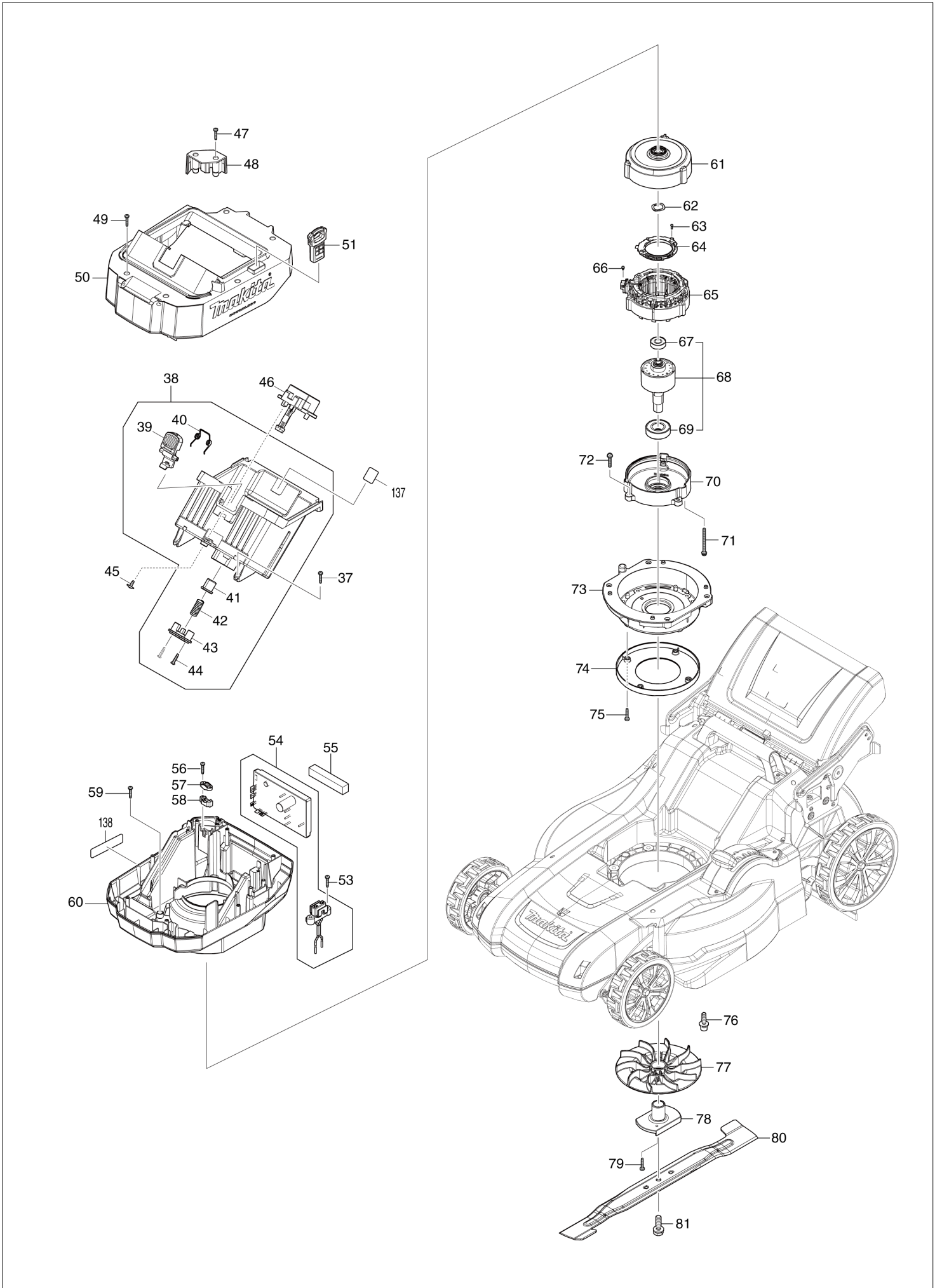
**530MM CORDLESS LAWN MOWER**



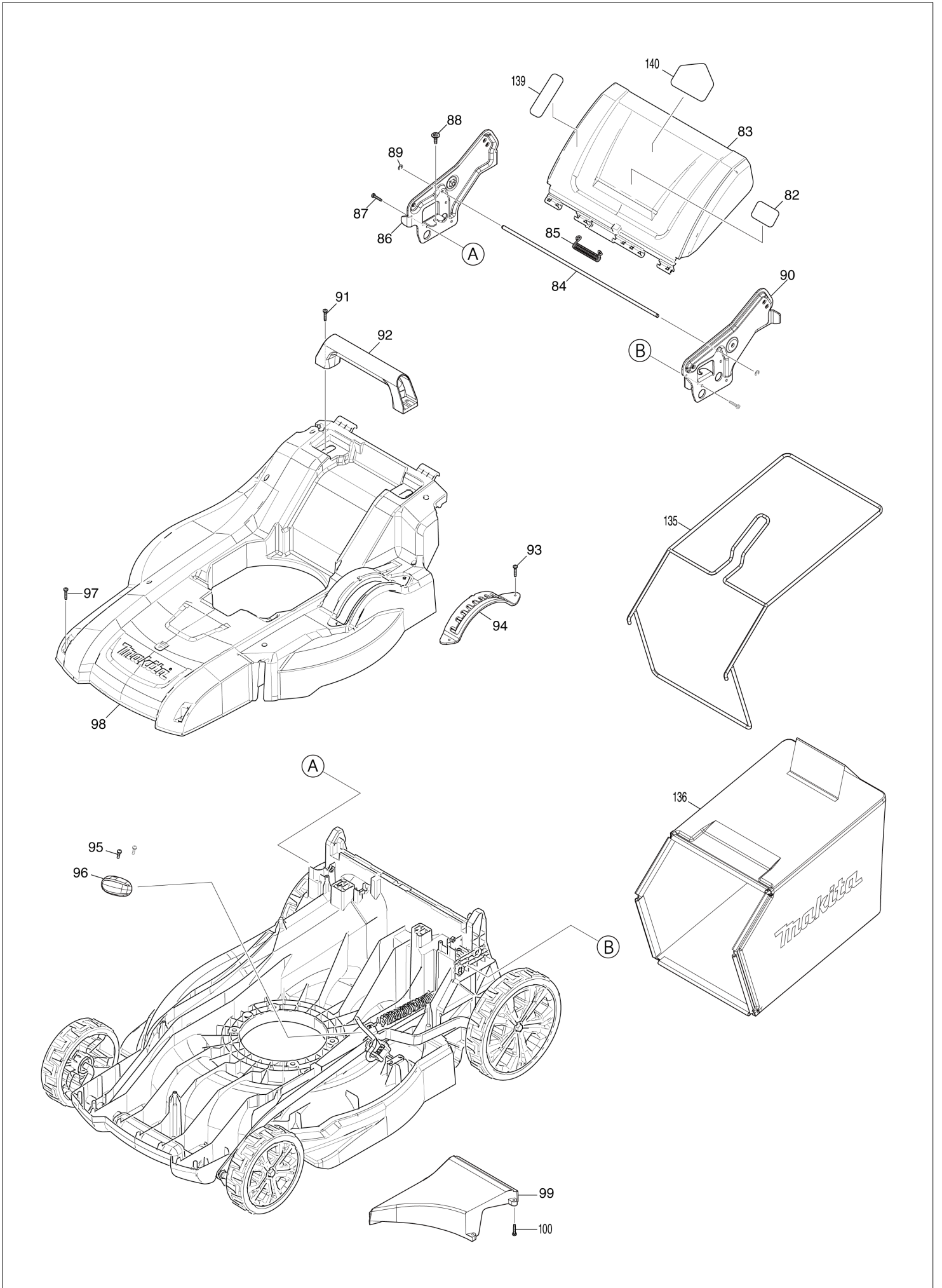
(VN) LM002J / 530MM CORDLESS LAWN MOWER



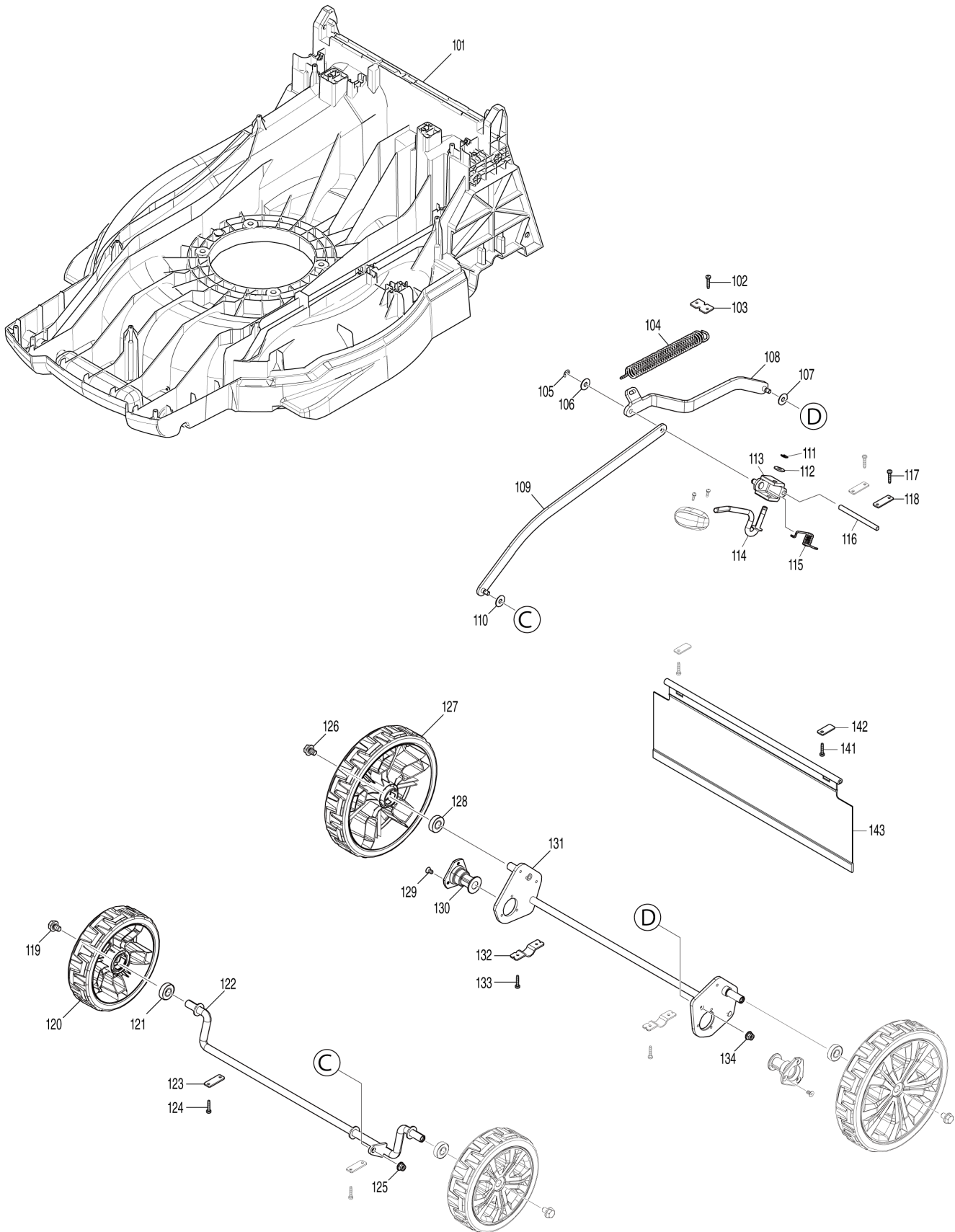
(VN) LM002J / 530MM CORDLESS LAWN MOWER



(VN) LM002J / 530MM CORDLESS LAWN MOWER



(VN) LM002J / 530MM CORDLESS LAWN MOWER



<b>VN</b>	<b>VIETNAM</b>
-----------	----------------

### LM002J / 530MM CORDLESS LAWN MOWER

Item	Sub	Parts No.	Parts Description	Qty	I/C	E/C No.	Close No.	Remark
001		327424-8	SWITCH LEVER	1				
002		266424-2	TAPPING SCREW 4X20	6				
003		183U73-5	SWITCH BOX SET	1				
	C10	8044A1-9	INDICATION LABEL	1				
	D10		INC. 12					
004		231227-3	COMPRESSION SPRING 15	1				
005		459856-2	SWITCH LEVER SUPPORT R	1				
	C10	931102-0	HEX. NUT M4	1				
006		459857-0	LOCK OFF BUTTON	1				
007		911138-5	P.H.SCREW M4X20 WITH WR	1				
008		632T11-3	SWITCH UNIT	1				
009		141E30-3	SWITCH CIRCUIT COMPLETE	1				
	C10	8031N1-9	SWITCH LABEL	1				
010		266424-2	TAPPING SCREW 4X20	2				
011		687123-7	STRAIN RELIEF	1				
012		183U73-5	SWITCH BOX SET	1				
	C10	8044A1-9	INDICATION LABEL	1				
	D10		INC. 3					
013		183U21-4	LEVER BOX SET	1				
	D10		INC. 17					
014		459863-5	SWITCH LEVER SUPPORT L	1				
	C10	931102-0	HEX. NUT M4	1				
015		232575-3	TORSION SPRING 12	1				
016		911138-5	P.H.SCREW M4X20 WITH WR	1				
017		183U21-4	LEVER BOX SET	1				
	D10		INC. 13					
018		266424-2	TAPPING SCREW 4X20	4				
019		699175-6	POWER SUPPLY CORD UNIT	1				
020		327871-3	HANDLE UPPER	1				
021		265C08-1	FLAT HEAD BOLT M8X50	2				
022		265C06-5	THUMB NUT M8	2				
023		413944-9	CLAMP	1				
	C10	931102-0	HEX. NUT M4	1				
024		911163-6	PAN HEAD SCREW M4X35	1				
025		122A72-2	HANDLE LOWER ASSEMBLY	1				
	D10		INC. 26-30					
026		258004-8	SPRING PIN 2.5-16	2				
027		413943-1	KNOB	2				
028		234121-8	COMPRESSION SPRING 8	2				
029		327877-1	LOCK HOLDER	2				
030		327876-3	LOCK PIN	2				
031		265C07-3	HEX. BOLT M8	2				
032		141H54-7	BATTERY COVER COMPLETE	1				
	C10	8044A3-5	CAUTION LABEL	1				
033		231037-8	COMPRESSION SPRING 7	1				
034		459852-0	LOCK LEVER	1				
035		327875-5	ROD 6	1				
036		961018-5	STOP RING E-5	1				
037		266424-2	TAPPING SCREW 4X20	4				
038		122A74-8	BATTERY HOUSING ASSEMBLY	1				
	D10		INC. 39-44					
039		413942-3	LOCK LEVER	1				
040		232716-1	TORSION SPRING 9	1				
041		413940-7	SPRING HOLDER	1				
042		232718-7	COMPRESSION SPRING 11	1				
043		413941-5	SPRING SUPPORT	1				
044		266424-2	TAPPING SCREW 4X20	2				
045		265B00-1	TAPPING SCREW FLANGE 4X12	2				
046		632S59-9	TERMINAL UNIT	1				
047		266424-2	TAPPING SCREW 4X20	2				
048		413932-6	LEAD COVER	1				
049		266424-2	TAPPING SCREW 4X20	6				
050		122B29-9	COWLING UPPER ASSEMBLY	1				
	C10	422756-9	SPONGE SEAL	1				
051		643535-4	KEY	1				

A:LM002JM101(H)

Interchange  
O : Yes  
X : No  
< : the new part can be substituted for the current.  
> : the current part can be substituted for the new.  
S : Interchangeable as a set.

<b>VN</b>	<b>VIETNAM</b>
-----------	----------------

### LM002J / 530MM CORDLESS LAWN MOWER

Item	Sub	Parts No.	Parts Description	Qty	I/C	E/C No.	Close No.	Remark
052		8046H9-4	INDICATION LABEL	1				
053		266424-2	TAPPING SCREW 4X20	2				
054		620G26-4	CONTROLLER	1				
055		422757-7	SPONGE	1				
056		266424-2	TAPPING SCREW 4X20	2				
057		687123-7	STRAIN RELIEF	1				
058		687051-6	STRAIN RELIEF	1				
059		266424-2	TAPPING SCREW 4X20	4				
060		413930-0	COWLING LOWER	1				
061		319869-4	MOTOR HOUSING UPPER	1				
062		253455-0	WAVE WASHER 19	1				
063		265B29-7	TAPPING SCREW PT 2X8	2				
064		620B88-2	CONTROLLER B	1				
065		629A87-5	STATOR	1				
066		652031-1	PAN HEAD SCREW M3X6	3				
067		210141-6	BALL BEARING 6000DDW	1				
068		519711-1	ROTOR ASS'Y	1				
	D10		INC. 67,69					
069		211387-7	BALL BEARING 6004LLU	1				
070		313391-3	MOTOR HOUSING LOWER	1				
071		911681-4	PAN HEAD SCREW M5X60	3				
072		911243-8	PAN HEAD SCREW M5X25	4				
073		413928-7	MOTOR BRACKET	1				
	C10	931202-6	HEX. NUT M5	4				
074		459853-8	BAFFLE PLATE	1				
075		266424-2	TAPPING SCREW 4X20	4				
076		265C22-7	H.S.H.BOLT M8X30 WITH WG	4				
077		240229-8	FAN 170	1				
078		313392-1	BLADE SUPPORT 530	1				
079		266424-2	TAPPING SCREW 4X20	2				
080		191V96-5	BLADE 530 SET	1				
081		265A69-9	HEX. BOLT M10X35 WITH WG	1				
082		8044A0-1	CAUTION LABEL	1				
083		141H24-6	REAR FLAP COMPLETE	1				
	D10		INC. 82					
084		327418-3	ROD 6	1				
085		232721-8	TORSION SPRING 8	1				
086		347867-8	HANDLE BRACKET R	1				
087		266420-0	TAPPING SCREW 5X20	6				
088		265C05-7	TAPPING SCREW FRANGE 5X20	2				
089		961018-5	STOP RING E-5	2				
090		347866-0	HANDLE BRACKET L	1				
091		266424-2	TAPPING SCREW 4X20	4				
092		413938-4	REAR GRIP	1				
093		266424-2	TAPPING SCREW 4X20	2				
094		162993-0	HEIGHT ADJUST PLATE	1				
095		266816-5	+ PAN HEAD SCREW M3X12 WITH WR	2				
096		413939-2	HEIGHT ADJUST LEVER GRIP	1				
097		266424-2	TAPPING SCREW 4X20	9				
098		413919-8	DECK COVER	1				
099		413920-3	DECK REAR COVER	1				
100		266424-2	TAPPING SCREW 4X20	4				
101		413918-0	DECK	1				
102		266424-2	TAPPING SCREW 4X20	2				
103		347870-9	HOOK PLATE	1				
104		232717-9	TENSION SPRING 17	1				
105		961012-7	STOP RING E-6	1				
106		253731-2	FLAT WASHER 8	1				
107		253731-2	FLAT WASHER 8	1				
108		347873-3	CONNECTING ROD R	1				
109		347871-7	CONNECTING ROD F	1				
110		253731-2	FLAT WASHER 8	1				
111		961012-7	STOP RING E-6	1				
112		267281-1	FLAT WASHER 8	1				
113		313389-0	ROD HOLDER	1				

A:LM002JM101(H)

Interchange  
 O : Yes  
 X : No  
 < : the new part can be substituted for the current.  
 > : the current part can be substituted for the new.  
 S : Interchangeable as a set.

