



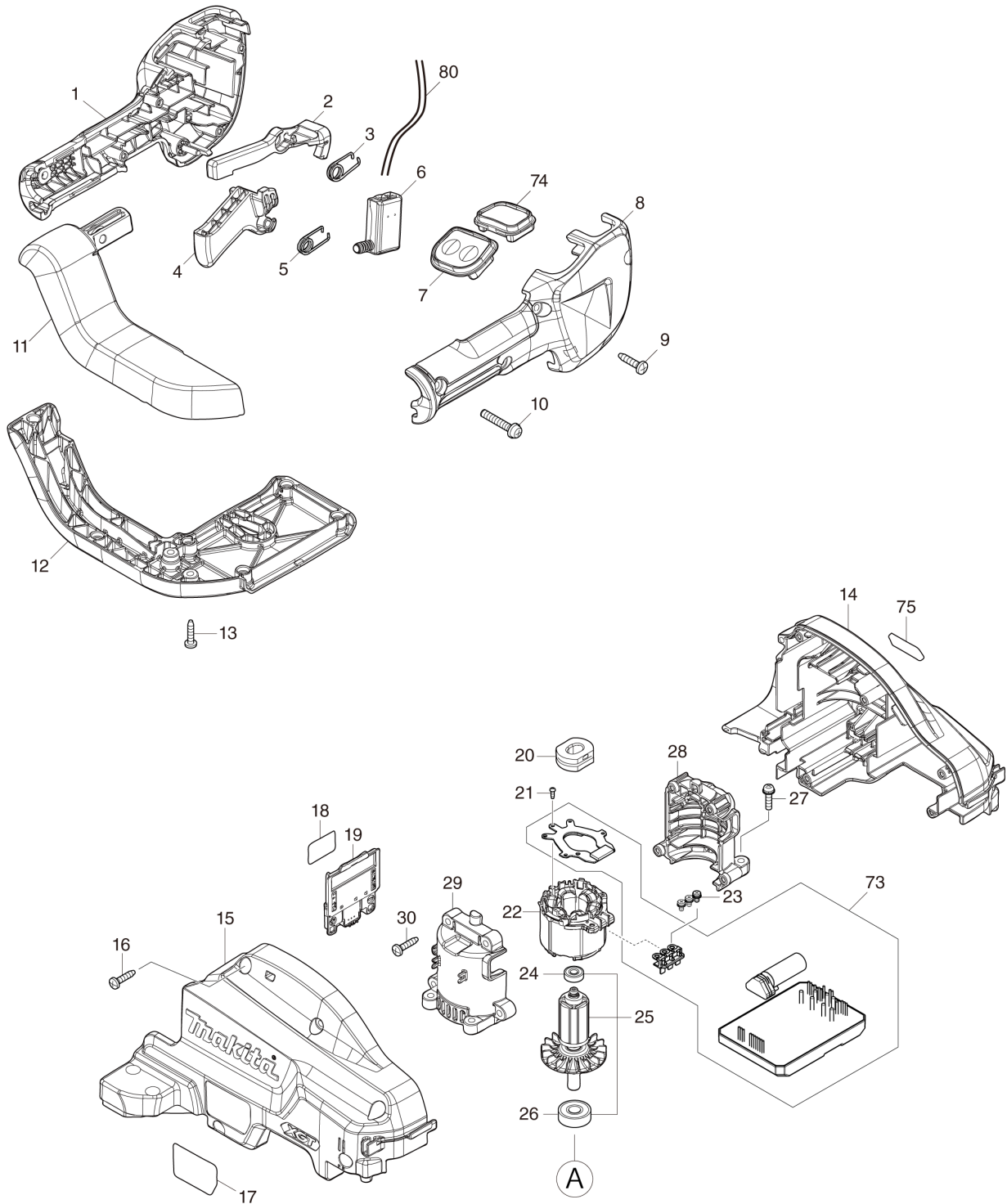
VN	VIETNAM
----	---------

Diagram / Parts List

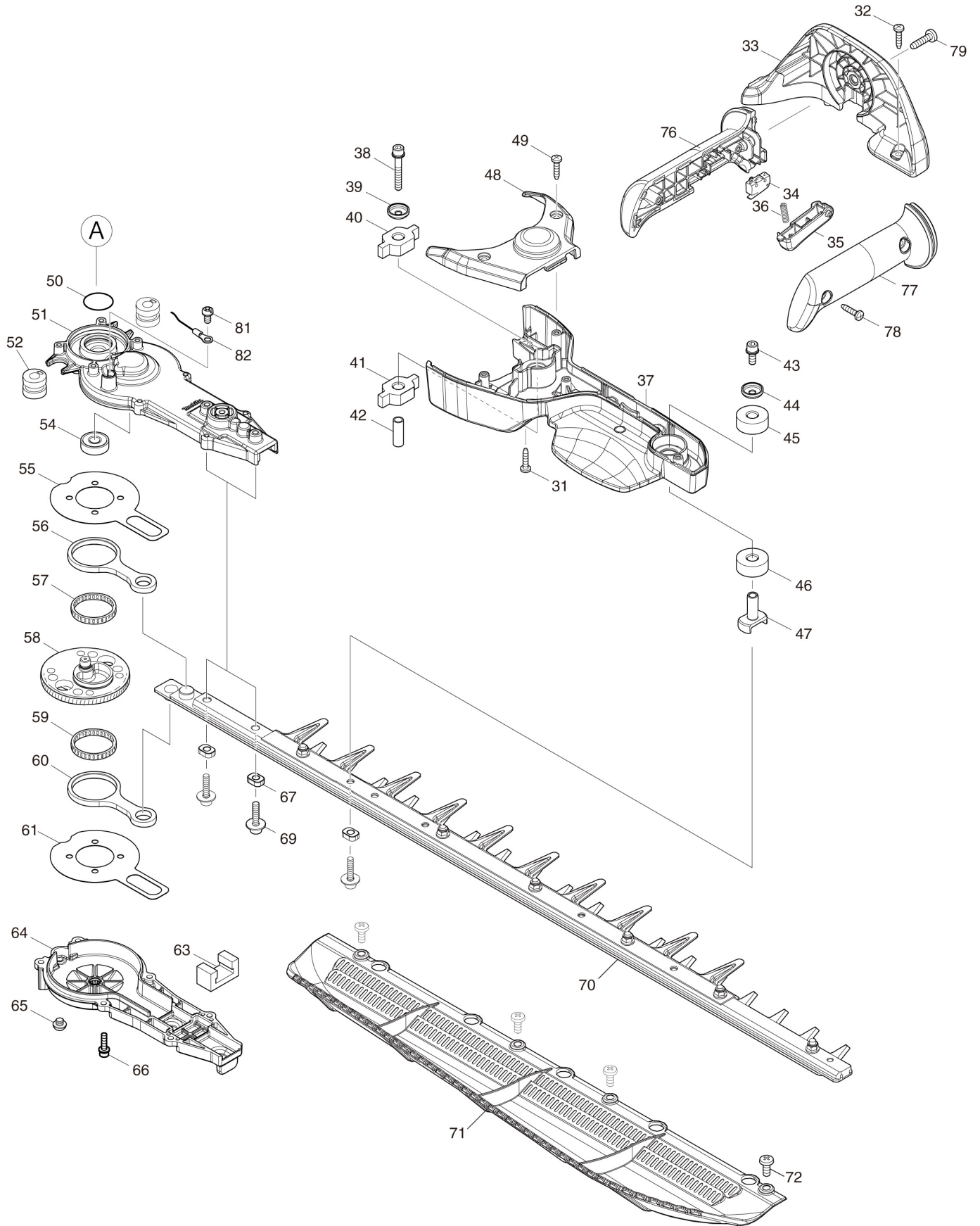
UH013G

600MM CORDLESS HEDGE TRIMMER

(VN) UH013G / 600MM CORDLESS HEDGE TRIMMER



(VN) UH013G / 600MM CORDLESS HEDGE TRIMMER



VN	VIETNAM
-----------	----------------

UH013G / 600MM CORDLESS HEDGE TRIMMER

Item	Sub	Parts No.	Parts Description	Qty	I/C	E/C No.	Close No.	Remark
001		183U16-7	GRIP SET	1				
	C10	252180-0	HEX. LOCK NUT M5-8	1				
	D10		INC. 8					
002		455629-1	LOCK OFF LEVER	1				
003		233621-5	TORSION SPRING 9	1				
004		412315-7	SWITCH LEVER R	1				
005		233621-5	TORSION SPRING 9	1				
006		651083-9	SWITCH C3XA-1PSPM	1				
007		141D66-6	SWITCH CIRCUIT COMPLETE E	1				
	C10	8034K3-2	SWITCH LABEL	1				
008		183U16-7	GRIP SET	1				
	C10	252180-0	HEX. LOCK NUT M5-8	1				
	D10		INC. 1					
009		266326-2	TAPPING SCREW 4X18	4				
010		911253-5	PAN HEAD SCREW M5X30	1				
011		413B85-3	GRIP JOINT E	1				
012		413B86-1	GRIP JOINT COVER E	1				
013		266326-2	TAPPING SCREW 4X18	8				
014		183U17-5	HOUSING SET	1				
	C10	263005-3	RUBBER PIN 6	2				
	C20	424344-8	DAMPER	4				
	D10		INC. 15					
015		183U17-5	HOUSING SET	1				
	C10	263005-3	RUBBER PIN 6	2				
	C20	424344-8	DAMPER	4				
	D10		INC. 14					
016		266326-2	TAPPING SCREW 4X18	5				
017		8113A3-2	UH013G NAME PLATE	1				
018		8113A9-0	UH013G SERIAL NO. LABEL	1				
019		632P75-3	TERMINAL UNIT	1				
020		422261-6	RUBBER SLEEVE	1				
021		266490-9	TAPPING SCREW PT 2X6	3				
022		629A75-2	STATOR	1				
023		652069-6	FLAT HEAD SCREW M3X6	3				
024		211157-4	BALL BEARING 695ZZ	1				
025		519693-7	ROTOR ASSY	1				
	D10		INC. 24,26					
026		210005-4	BALL BEARING 608DDW	1				
027		911128-8	P.H.SCREW M4X16 WITH WR	4				
028		183S94-5	MOTOR HOUSING SET	1				
	D10		INC. 29					
029		183S94-5	MOTOR HOUSING SET	1				
	D10		INC. 28					
030		266326-2	TAPPING SCREW 4X18	4				
031		266326-2	TAPPING SCREW 4X18	6				
032		266326-2	TAPPING SCREW 4X18	2				
033		413B91-8	FRONT GRIP RETAINER A	1				
034		632T12-1	SWITCH UNIT	1				
035		413B87-9	SWITCH LEVER F	1				
036		232353-1	COMPRESSION SPRING 4	1				
037		141G33-9	FRONT GRIP BASE COMPLETE	1				
	C10	8034N8-3	CAUTION LABEL	1				
038		251476-6	H.S.H.BOLT M5X35 WITH WR	1				
039		253544-1	CUP WASHER 5	1				
040		422260-8	RUBBER SLEEVE 8	1				
041		422260-8	RUBBER SLEEVE 8	1				
042		257678-2	SLEEVE 6	1				
043		922218-2	H.S.H.BOLT M5X14 WITH WR	1				
044		253544-1	CUP WASHER 5	1				
045		422813-3	RUBBER SLEEVE 8	1				
046		422813-3	RUBBER SLEEVE 8	1				
047		327919-1	CONNECTOR	1				
048		413B95-0	FRONT GRIP COVER	1				
049		266326-2	TAPPING SCREW 4X18	2				
050		213961-7	O RING 22	1				

Interchange
O : Yes
X : No
< : the new part can be substituted for the current.
> : the current part can be substituted for the new.
S : Interchangeable as a set.

VN	VIETNAM
-----------	----------------

UH013G / 600MM CORDLESS HEDGE TRIMMER

Item	Sub	Parts No.	Parts Description	Qty	I/C	E/C No.	Close No.	Remark
051		141J44-2	GEAR HOUSING COMPLETE	1				
	C10	263002-9	RUBBER PIN 4	1				
	C20	424344-8	DAMPER	1				
052		422725-0	RUBBER SLEEVE 8	2				
054		210223-4	BALL BEARING 608ZZ	1				
055		347361-0	FRICTION PLATE	1				
056		347662-6	CONNECTING ROD	1				
057		212229-8	NEEDLE CAGE 315	1				
058		141C40-8	GEAR COMPLETE	1				
059		212229-8	NEEDLE CAGE 315	1				
060		347662-6	CONNECTING ROD	1				
061		347361-0	FRICTION PLATE	1				
063		443159-4	SEAL	1				
064		141H42-4	GEAR HOUSING COVER COMPLETE	1				
065		266559-9	H.S.BUTTON HEAD BOLT M6X4	1				
066		922128-3	HEX. SOCKET HEAD BOLT M4X16	6				
067		310983-9	SLEEVE 5	3				
069		265A89-3	H.S.H.BOLT M5X25 WITH WR	3				
070		191Y03-6	SHEAR BLADE 600E SET	1				
	C10	188605-7	OIL VESSEL SET	1				
	C20	310983-9	SLEEVE 5	3				
071		191D33-1	CHIP RECEIVER 600E SET	1				
072		265B57-2	BINDING HEAD SCREW M5X12	4				
073		620G85-8	CONTRROLLER	1				
074		140W63-3	INDICATION CIRCUIT COMPLETE	1				
075		8025F3-0	XGT LOGO LABEL	1				
076		183U18-3	FRONT GRIP SET	1				
	D10		INC. 77					
077		183U18-3	FRONT GRIP SET	1				
	D10		INC. 76					
078		266326-2	TAPPING SCREW 4X18	2				
079		266420-0	TAPPING SCREW 5X20	1				
080		638A24-8	LEAD UNIT	1				
A01		413B98-4	BLADE COVER 600	1				

Interchange
O : Yes
X : No
< : the new part can be substituted for the current.
> : the current part can be substituted for the new.
S : Interchangeable as a set.