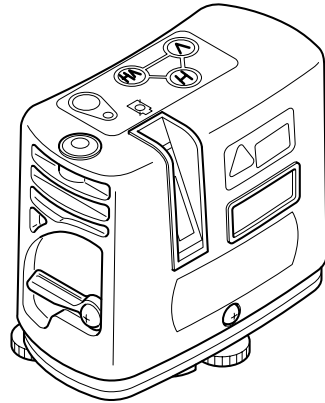




Laser Level

Model SK10



⚠WARNING:

For your personal safety, READ and UNDERSTAND before using.
SAVE THESE INSTRUCTIONS FOR FUTURE REFERENCE.

ENGLISH

SPECIFICATIONS

The laser-beam lines can be rotated horizontally at any angle of 360° by turning the head of the unit. Mounting thread for connecting to tripod is provided.

Model	SK10
Laser-beam line	Laser Type : Red Laser 635nm < 1mw (Laser Class 2) Line-width : 2.5 mm / 10 m Emitting angle of the laser-beam line : Vertical: 140°± 10% Horizontal: >100°
Operating mode	3 modes Horizontal Vertical Vertical + Horizontal
Operating mode	2 modes Interior / Exterior
Leveling Range	±2.0° (plumb leveling) The laser-beam lines will be shut off automatically without the leveling range.
Leveling Accuracy	±1mm / 10 m
Power Supply	AA alkaline dry battery, 1.5V : 2 pieces
Operating Time	Horizontal : Approx. 20 hrs. Vertical : Approx. 20 hrs. Vertical + Horizontal : Approx. 12 hrs.
Battery Warning Signal	Battery life indicator LED (yellow) lights on when the batteries become weak. At the end of battery life the laser-beam lines will be shut off.
Dimensions	Width 99.5 mm x Depth 54.2 mm x Height 88.5 mm
Weight	480 g (batteries not included)
Tripod Mounting Thread	W 5/8 "
Standard Equipment	Alkaline dry battery : 2 pieces Carrying Case Spacer (for optional elevating tripod)

- Due to our continuing program of research and development, the specifications herein are subject to changes without notice.
- The operating time varies depending on the operating environment

Symbols

The followings show the symbols used for the laser level. Be sure that you understand their meaning before use.



- Read instruction manual.



- Laser class 2



- Do not stare into laser.

1. Do not stare into laser.
2. Do not direct the laser beam at persons.
3. Do not remove the warning labels from the unit.
4. Do not modify the laser level in any way. Service or maintenance must be performed only by qualified personnel.
5. Do not allow children to operate the laser level.
6. Do not operate the laser level around children.
7. Do not look at the beam directly with optical apparatus.

SAFETY INSTRUCTIONS

WARNINGS: When using the laser level, basic safety precautions should be followed to reduce the risk of personal injury.

Read all these instructions before attempting to operate the laser level and save these instructions.

For safe operation:

Laser radiation of laser class 2

Use and care for laser level

To use the laser level properly and keep your work accurate:

The laser level must be set where it is not exposed to rain.

Do not expose the laser level to extreme temperatures and temperature variations.

The laser level is a very precise measuring instrument.

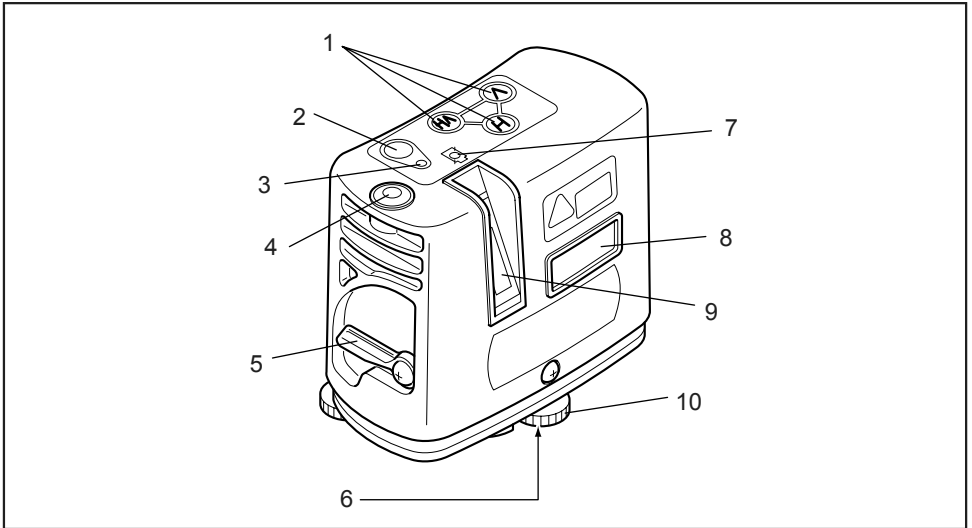
Handle the laser level very carefully not to drop it or give

strong impacts to the outside of the tool-body.
 Always check the accuracy of laser before use.
 For a better visibility of the laser-beam line, Receiver is available as an optional accessory. Use the receiver when it is difficult to see the laser-beam line.
 Battery life indicator LED (yellow) indicates that the batteries become weak.

Replace all the batteries (2 pieces) at one time with new alkaline ones.
 When you finish your work, always be sure that the laser level is switched off and the laser-beam lines is not projected.
 Always keep the laser level in the carrying case when it is carried.

Explanation of general view

- | | | |
|--|--|--|
| 1. Operating-mode selecting buttons (H, V, VH) | 4. Round vial with backlight | 8. Exit opening for horizontal laser beam |
| 2. Interior/exterior mode change button | 5. Power switch (Switch lock provided) | 9. Exit opening for vertical laser beam |
| 3. Exterior mode indicator LED (green) | 6. Tripod connection | 10. Level adjusting screw (hidden) Battery cover |
| | 7. Battery life indicator LED (yellow) | |



Attaching and replacing batteries (Fig.1)
Use the laser level by mounting to Elevating tripod

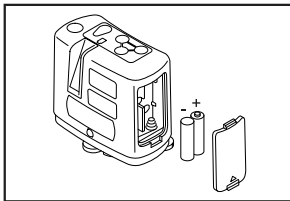


Fig. 1

To use the laser level by mounting to elevating tripod (optional accessory), stick the spacer provided to the top of elevating tripod (See the Fig.2) and screw up the level

adjusting screw (10) of the unit (laser level).

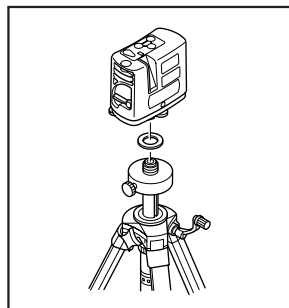


Fig. 2

OPERATION

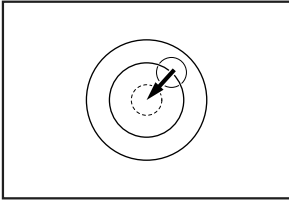


Fig. 3

1. Turn on the power switch (5). The unit (laser level) projects the horizontal laser- beam line.
2. If the unit is placed in a slanting position, it will not emit any laser lines at all. Adjust the level adjusting screw (10) so that the air-bubble in the round vial (4) is centered. Fig.3
3. If you work with the receiver (optional accessory), press the interior/exterior mode change button (2) . Exterior mode indicator LED (green) (3) will light on.

Following (3) operation modes are available. Press the most suitable operating-mode selecting button (1) according to your job.

Horizontal

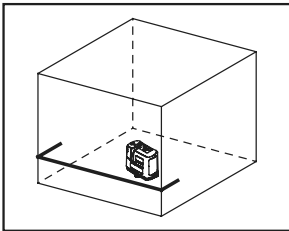


Fig. 4

Press the H button. The unit projects the horizontal laser-beam line as illustrated in Fig.4.

Elevating Tripod is available as an optional accessory. You can adjust the height of the horizontal laser line by mounting the unit to this tripod.

Vertical

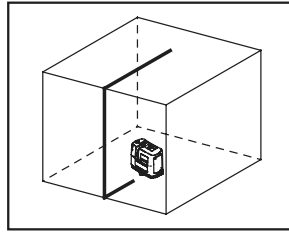


Fig. 5

Press the V button. The unit projects the vertical laser-beam line as illustrated in Fig.5.

Vertical + Horizontal

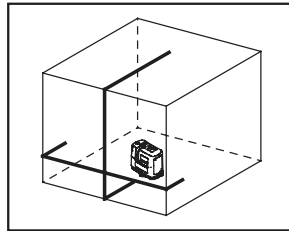


Fig. 6

Press the VH button. The unit projects two laser-beam lines (vertical and horizontal ones) as illustrated in Fig.6.

4. Turn off the power switch after operation. The unit will be automatically locked.

Inspection of the leveling accuracy of the laser level

Check the leveling accuracy of the unit (laser level) periodically in the following manners:

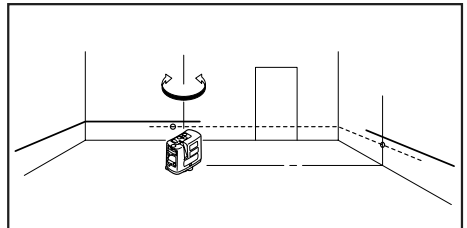


Fig. 7

1. Check the leveling accuracy of horizontal laser-beam line.
 - 1) Place the unit on the floor of an indoor corner at the point of 3 to 5 m from the one wall and 1 m from the another one. (See the Fig.7)

- Turn the level adjusting screw (10) so that the air-bubble in the round vial (4) is centered.
- 2) Turn on the power switch (5).
 - 3) Turn the unit and mark both ends of laser line projected on the both walls.
 - 4) Then turn the unit on both sides. Make sure that half of the deviation from laser line to the first marked point is within the leveling accuracy specified.
2. Check the leveling accuracy of vertical laser-beam line.
- Hang a plumb-bob (See the Fig.8) from 3 m height of the wall (the height of ceiling is approx. 3 m).

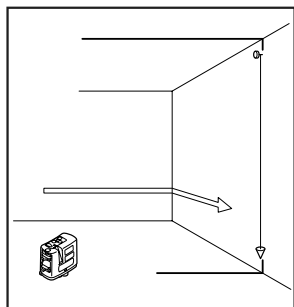


Fig. 8

- 1) Place the unit on the floor at the point of 2 to 5 m away from the wall. Make sure that the air-bubble is centered in the round vial (4).
- 2) Turn on the power switch (5). Then press the V button.
- 3) Direct the vertical laser line to the string of plumb-bob. Then adjust the vertical laser line to the lower end of the string. Make sure that deviation from the vertical laser line to the upper end of the string is within the leveling accuracy specified.

Makita Corporation