



VN	VIETNAM
----	---------

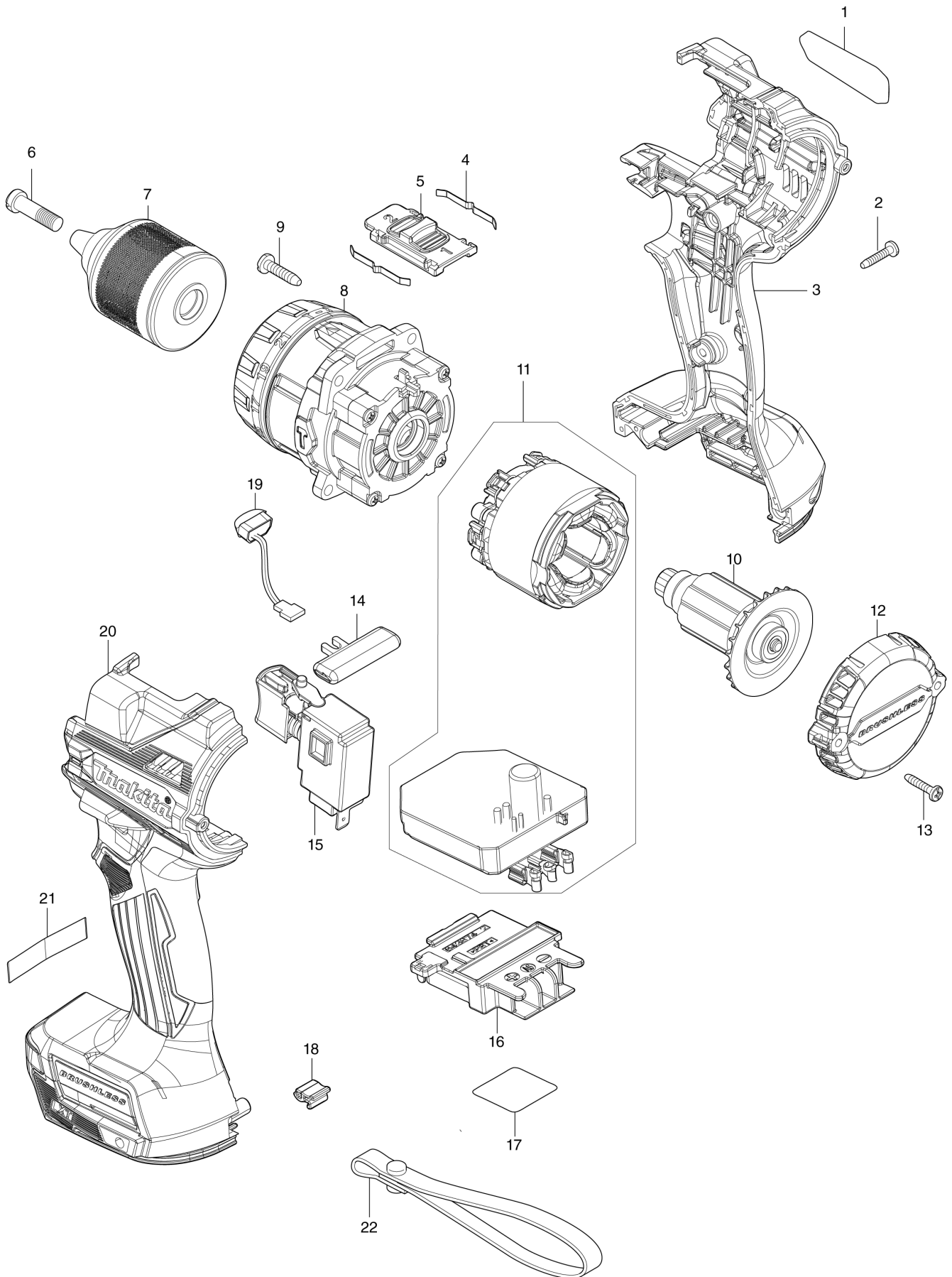
Diagram / Parts List

DHP486

CORDLESS HAMMER DRIVER DRILL



(VN) DHP486 / CORDLESS HAMMER DRIVER DRILL



VN	VIETNAM
-----------	----------------

DHP486 / CORDLESS HAMMER DRIVER DRILL

Item	Sub	Parts No.	Parts Description	Qty	I/C	E/C No.	Close No.	Remark
001		811B29-1	DHP486 NAME PLATE	1				
002		266130-9	TAPPING SCREW BIND PT 3X16	7				
003		183R83-4	HOUSING SET	1				
	C10	263005-3	RUBBER PIN 6	2				
	C20	252126-6	HEX. LOCK NUT M4-7	2				
	D10		INC. 20					
004		232220-0	LEAF SPRING	2				
005		127494-5	SPEED CHANGE LEVER ASSEMBLY	1				
	C10	233438-6	COMPRESSION SPRING 4	2				
006		251468-5	- FLAT HEAD SCREW M6X22	1				
007		763252-1	KEYLESS DRILL CHUCK 13	1				
008		127698-9	GEAR ASSEMBLY	1			D8710	
008-1		122A92-6	GEAR ASSEMBLY	1	<	D8710	DC643	
008-2		122B68-9	GEAR ASSEMBLY	1	O	DC643		
009		266326-2	TAPPING SCREW 4X18	4				
010		619656-4	ROTOR	1				
011		629A33-8	STATOR COMPLETE	1				
012		413405-9	REAR COVER	1				
013		266130-9	TAPPING SCREW BIND PT 3X16	2				
014		419041-9	F/R CHANGE LEVER	1				
015		651443-5	SWITCH C3JR-4B	1				
016		643874-2	TERMINAL	1				
017		811B36-4	DHP486 SERIAL NO. LABEL	1				
018		424517-3	CUSHION	1				
019		620549-0	LED CIRCUIT	1				
020		183R83-4	HOUSING SET	1				
	C10	263005-3	RUBBER PIN 6	2				
	C20	252126-6	HEX. LOCK NUT M4-7	2				
	D10		INC. 3					
022		163400-6	HANDSTRAP	1				
A01		122576-8	STOPPER POLE ASS'Y	1				
A02		127701-6	GRIP ASSEMBLY	1			DB452	
	C10	140U91-6	POLE COMPLETE	1			DB452	
	C20	140X19-2	ARM R COMPLETE	1			DB452	
	C30	265785-7	THUMB SCREW M5X10	1			DB452	
	C40	266886-4	HEX. BOLT M8X65	1			DB452	
	C50	312A63-3	ARM L	1			DB452	
	C60	931202-6	HEX. NUT M5	1			DB452	
	C70	962055-2	RETAINING RING (INT) R-15	1			DB452	
A02-1		122C01-7	GRIP ASSEMBLY	1	<	DB452	DE160	
	C10	140U91-6	POLE COMPLETE	1		DB452	DE160	
	C20	140X19-2	ARM R COMPLETE	1		DB452	DE160	
	C30	265785-7	THUMB SCREW M5X10	1		DB452	DE160	
	C40	266886-4	HEX. BOLT M8X65	1		DB452	DE160	
	C50	312C73-2	ARM L	1		DB452	DE160	
	C60	931202-6	HEX. NUT M5	1		DB452	DE160	
	C70	962055-2	RETAINING RING (INT) R-15	1		DB452	DE160	
A02-2		122D10-2	GRIP ASSEMBLY	1	O	DE160		
	C10	140U91-6	POLE COMPLETE	1		DE160		
	C20	140X19-2	ARM R COMPLETE	1		DE160		
	C30	265C34-0	THUMB SCREW M5X10	1		DE160		
	C40	266886-4	HEX. BOLT M8X65	1		DE160		
	C50	312C73-2	ARM L	1		DE160		
	C60	931202-6	HEX. NUT M5	1		DE160		
	C70	962055-2	RETAINING RING (INT) R-15	1		DE160		
A03		251314-2	+ SCREW M4X12	2				
A04		346317-0	HOOK	1				
A05		452947-8	BIT HOLDER	1				
A06		784637-8	+ - BIT 2-45	2				
A07B		821524-1	PLASTIC CARRYING CASE	1				
	C10	162302-3	LATCH	2				
	C20	325809-2	SHAFT	1				
	C30	451749-9	HANDLE	1				
	C40	453473-0	PLASTIC CASE LID	1				
A08B		***DC18RC	DC18RC FAST CHARGER	1				

B:DHP486RTE(H)

Interchange
O : Yes
X : No
< : the new part can be substituted for the current.
> : the current part can be substituted for the new.
S : Interchangeable as a set.

