

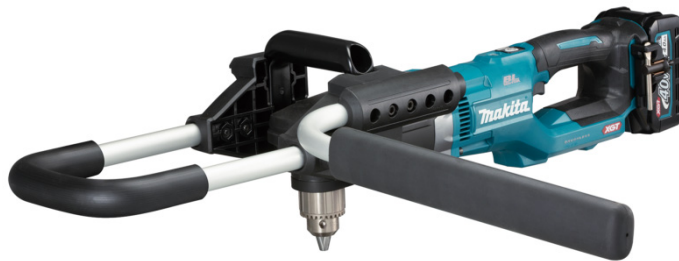


VN	VIETNAM
----	---------

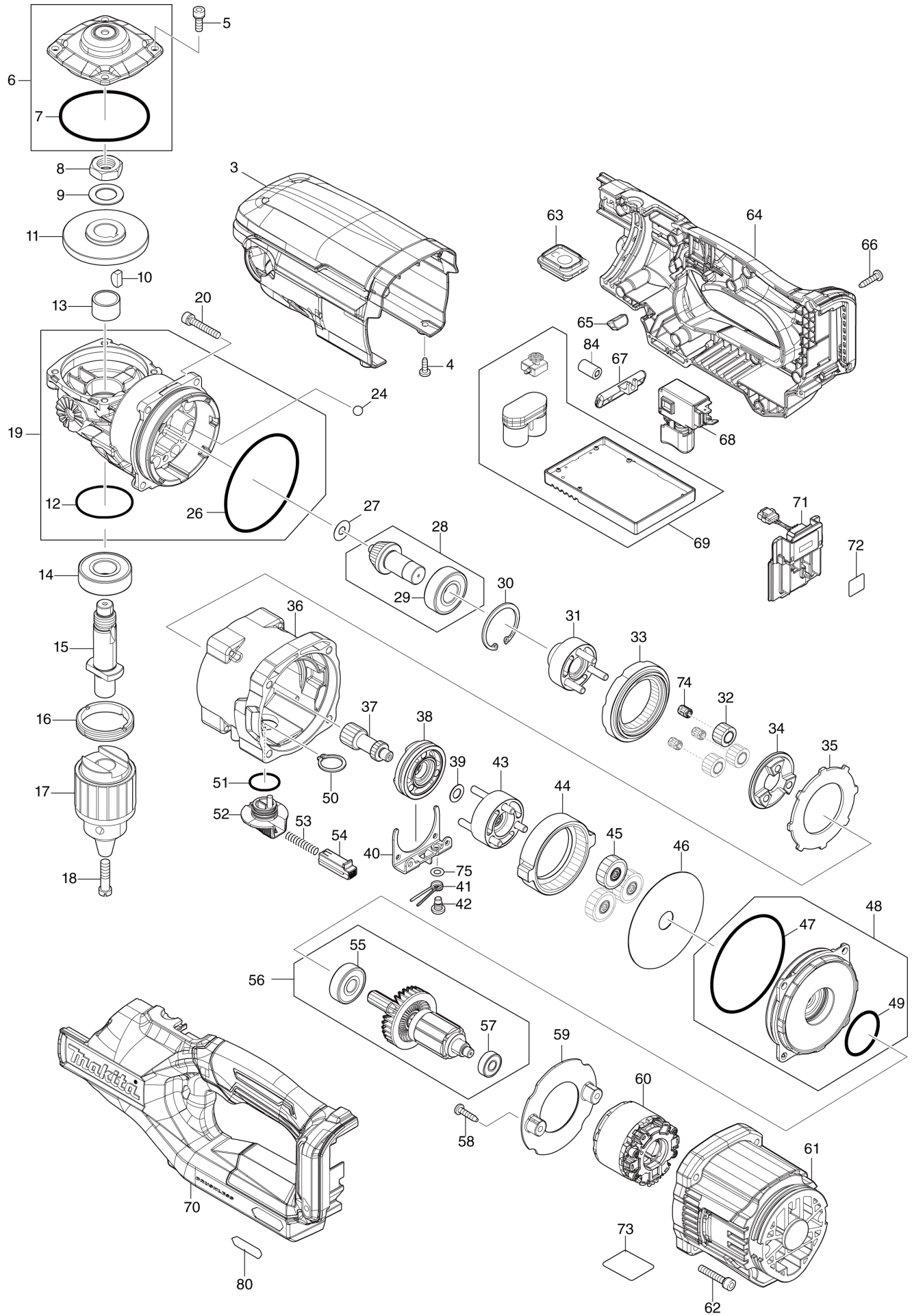
Diagram / Parts List

DG001G

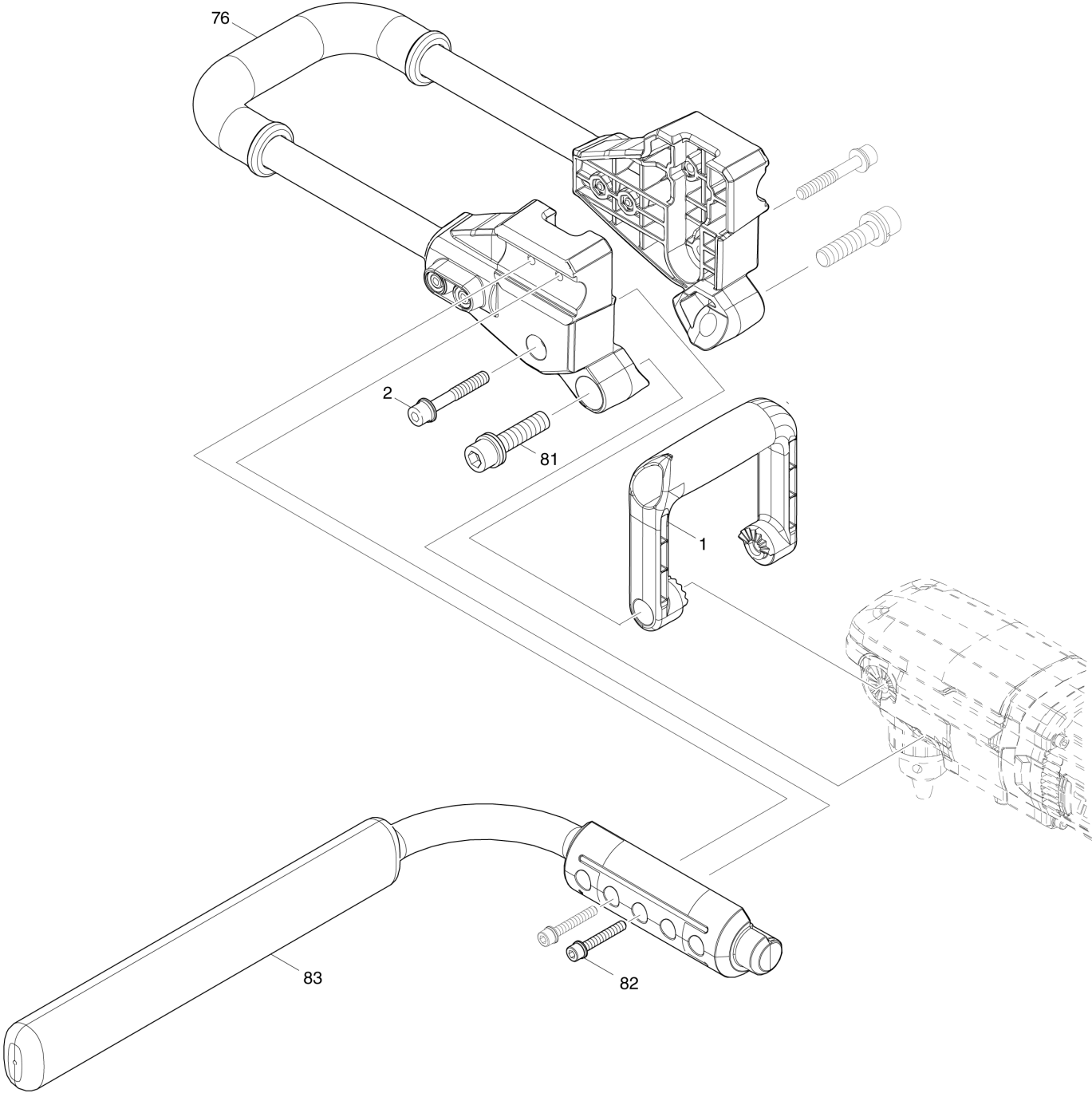
CORDLESS EARTH AUGER



(VN) DG001G / CORDLESS EARTH AUGER



(VN) DG001G / CORDLESS EARTH AUGER



VN	VIETNAM
-----------	----------------

DG001G / CORDLESS EARTH AUGER

Item	Sub	Parts No.	Parts Description	Qty	I/C	E/C No.	Close No.	Remark
001		458431-1	FRONT GRIP	1				
002		922478-6	H.S.H.BOLT M8X55 WITH WR	2				
003		458430-3	TOP COVER	1				
004		266026-4	TAPPING SCREW BIND CT 4X12	2				
005		266086-6	HEX. SOCKET HEAD BOLT M5X16	4				
006		140A21-7	GEAR HOUSING COVER COMPLETE	1				
	D10		INC. 7					
007		213709-7	O RING 63	1				
008		252267-8	HEX. NUT M16-22	1				
009		253771-0	FLAT WASHER 16	1				
010		254032-1	WOODRUFF KEY 5	1				
011		227416-6	SPIRAL BEVEL GEAR 40	1			DB695	
011-1		227920-5	SPIRAL BEVEL GEAR 40	1	S	DB695		
012		213507-9	O RING 40	1				
013		257440-5	SLEEVE 17	1				
014		211278-2	BALL BEARING 6203DDW	1				
015		327106-2	SPINDLE	1				
016		285842-5	BEARING RETAINER 36-43	1				
017		763250-5	DRILL CHUCK S-13	1				
018		251463-5	- FLAT HEAD SCREW M6X22	1				
019		141D39-9	GEAR HOUSING COMPLETE	1				
	D10		INC. 12,26					
020		265695-8	H. S. H. BOLT M5X30 WITH WRM	4				
024		216022-2	STEEL BALL 7.0	8				
026		213755-0	O RING 75	1				
027		253411-0	FLAT WASHER 6	1				
028		140A23-3	SPIRAL BEVEL GEAR 13 COMPLETE	1			DB695	
	D10		INC. 29				DB695	
028-1		136563-1	SPIRAL BEVEL GEAR 13 ASS'Y	1	S	DB695		
	D10		INC. 29			DB695		
029		211206-7	BALL BEARING 6202LLB	1				
030		962153-2	RETAINING RING R-35	1				
031		140A13-6	CARRIER A COMPLETE	1				
032		226176-7	SPUR GEAR 13	3				
033		226177-5	INTERNAL GEAR 40	1				
034		223188-1	CAM	1				
035		347365-2	WASHER 65	1				
036		127809-6	GEAR CASE COMPLETE	1				
037		226175-9	SPUR GEAR 14	1				
038		310876-0	CHANGE RING	1				
039		253215-0	FLAT WASHER 8	1				
040		347366-0	CHANGE GUIDE	1				
041		231657-8	TORSION SPRING 6	1				
042		265628-3	+ BINDING HEAD SCREW M5	1				
043		140A14-4	CARRIER B COMPLETE	1				
044		226174-1	INTERNAL GEAR 71	1				
045		140A12-8	SPUR GEAR 29 COMPLETE	3				
046		253412-8	FLAT WASHER 15	1				
047		213755-0	O RING 75	1				
048		140A20-9	MOTOR BRACKET COMPLETE	1				
	D10		INC. 47,49					
049		213406-5	O RING 30	1				
050		961058-3	RETAINING RING (EXT) S-18	1				
051		213265-7	O RING 17	1				
052		458433-7	CHANGE LEVER	1				
053		233279-0	COMPRESSION SPRING 4	1				
054		458434-5	LOCK BUTTON	1				
055		211087-9	BALL BEARING 6200DDW	1				
056		519689-8	ROTOR ASSY	1				
	D10		INC. 55,57					
057		211022-7	BALL BEARING 607ZZ	1				
058		266326-2	TAPPING SCREW 4X18	2				
059		458427-2	BAFFLE PLATE	1				
060		629356-8	STATOR	1				
061		458426-4	MOTOR HOUSING	1				

Interchange
O : Yes
X : No
< : the new part can be substituted for the current.
> : the current part can be substituted for the new.
S : Interchangeable as a set.

