



VN	VIETNAM
----	---------

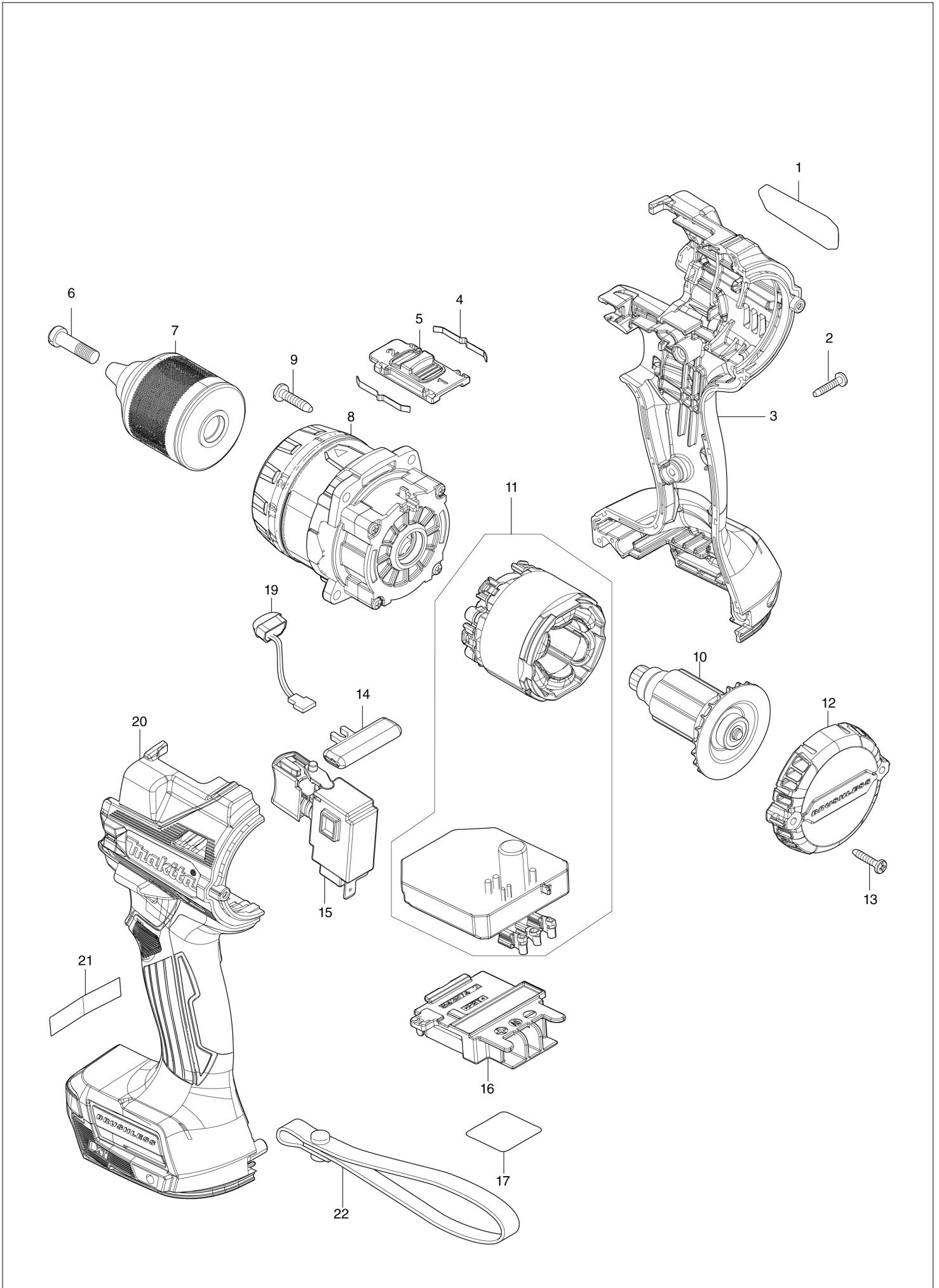
Diagram / Parts List

DDF486

CORDLESS HAMMER DRIVER DRILL



(VN) DDF486 / CORDLESS HAMMER DRIVER DRILL



VN	VIETNAM
-----------	----------------

DDF486 / CORDLESS HAMMER DRIVER DRILL

Item	Sub	Parts No.	Parts Description	Qty	I/C	E/C No.	Close No.	Remark
001		811B51-8	DDF486 NAME PLATE	1				
002		266130-9	TAPPING SCREW BIND PT 3X16	7				
003		183R83-4	HOUSING SET	1				
	C10	263005-3	RUBBER PIN 6	2				
	C20	252126-6	HEX. LOCK NUT M4-7	2				
	D10		INC. 20					
004		232220-0	LEAF SPRING	2				
005		127494-5	SPEED CHANGE LEVER ASSEMBLY	1				
	C10	233438-6	COMPRESSION SPRING 4	2				
006		251468-5	- FLAT HEAD SCREW M6X22	1				
007		763252-1	KEYLESS DRILL CHUCK 13	1				
008		127699-7	GEAR ASSEMBLY	1			DC643	
008-1		122B69-7	GEAR ASSEMBLY	1	O	DC643		
009		266326-2	TAPPING SCREW 4X18	4				
010		619656-4	ROTOR	1				
011		629A33-8	STATOR COMPLETE	1				
012		413405-9	REAR COVER	1				
013		266130-9	TAPPING SCREW BIND PT 3X16	2				
014		419041-9	F/R CHANGE LEVER	1				
015		651443-5	SWITCH C3JR-4B	1				
016		643874-2	TERMINAL	1				
017		811B59-2	DDF486 SERIAL NO. LABEL	1				
019		620549-0	LED CIRCUIT	1				
020		183R83-4	HOUSING SET	1				
	C10	263005-3	RUBBER PIN 6	2				
	C20	252126-6	HEX. LOCK NUT M4-7	2				
	D10		INC. 3					
022		163400-6	HANDSTRAP	1				
A01		127702-4	GRIP ASSEMBLY	1			DB452	
	C10	140U91-6	POLE COMPLETE	1			DB452	
	C20	140X19-2	ARM R COMPLETE	1			DB452	
	C30	266886-4	HEX. BOLT M8X65	1			DB452	
	C40	312A63-3	ARM L	1			DB452	
	C50	962055-2	RETAINING RING (INT) R-15	1			DB452	
A01-1		122C02-5	GRIP ASSEMBLY	1	<	DB452		
	C10	140U91-6	POLE COMPLETE	1		DB452		
	C20	140X19-2	ARM R COMPLETE	1		DB452		
	C30	266886-4	HEX. BOLT M8X65	1		DB452		
	C40	312C73-2	ARM L	1		DB452		
	C50	962055-2	RETAINING RING (INT) R-15	1		DB452		
A02		251314-2	+ SCREW M4X12	2				
A03		346317-0	HOOK	1				
A04		452947-8	BIT HOLDER	1				
A05		784637-8	+ - BIT 2-45	2				
A06B		821524-1	PLASTIC CARRYING CASE	1				
	C10	162302-3	LATCH	2				
	C20	325809-2	SHAFT	1				
	C30	451749-9	HANDLE	1				
	C40	453473-0	PLASTIC CASE LID	1				
A10B		450128-8	BATTERY COVER	1				
A11B		***DC18RC	DC18RC FAST CHARGER	1				
	D10		COMPO-PARTS					
A12B		197280-8	BATTERY BL1850B SET	2				

B:DDF486RTE(H)

Interchange
 O : Yes
 X : No
 < : the new part can be substituted for the current.
 > : the current part can be substituted for the new.
 S : interchangeable as a set.