



| | |
|----|---------|
| VN | VIETNAM |
|----|---------|

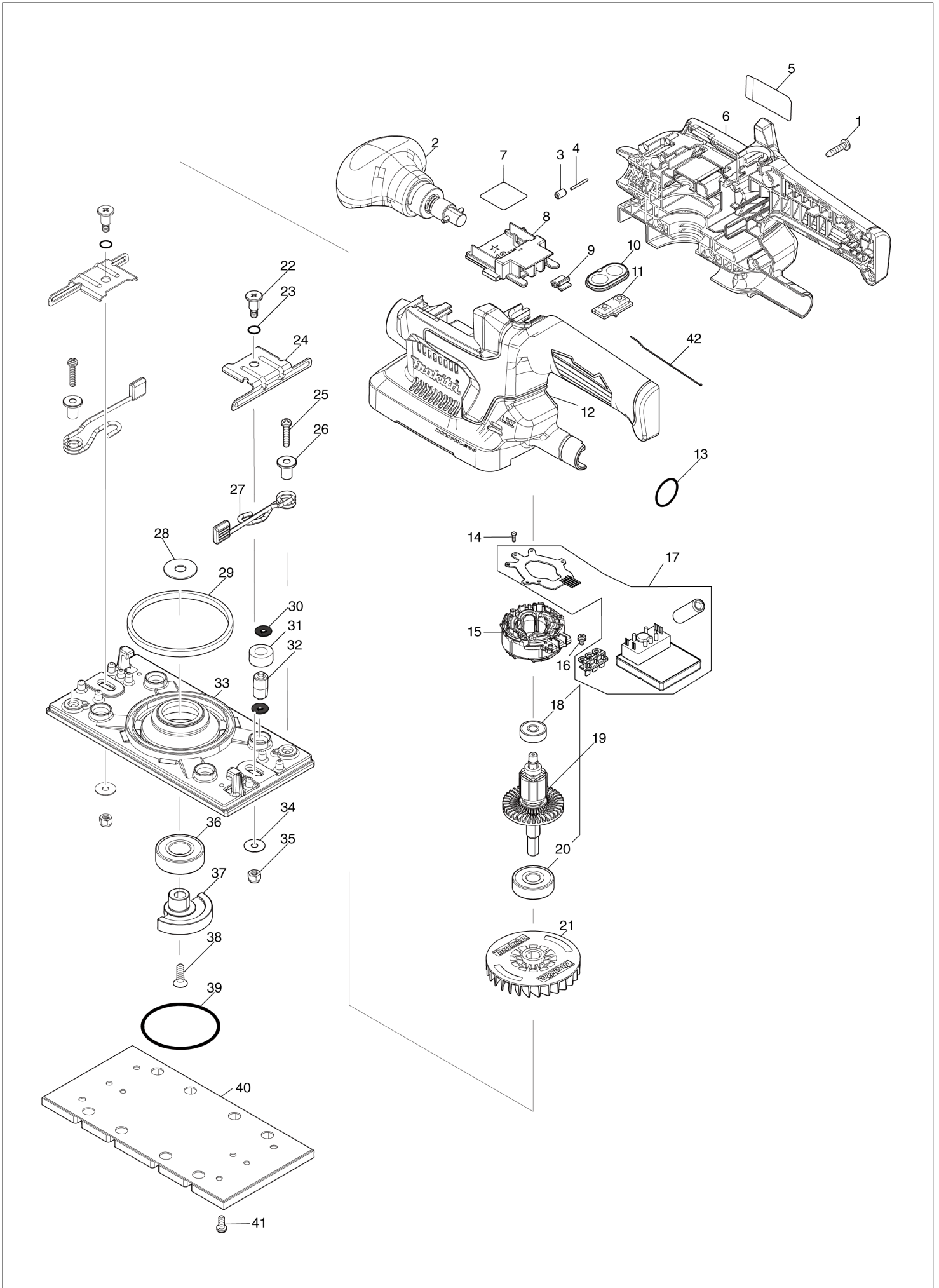
Diagram / Parts List

DBO380

CORDLESS FINISHING SANDER



(VN) DBO380 / CORDLESS FINISHING SANDER



| | |
|-----------|----------------|
| VN | VIETNAM |
|-----------|----------------|

DBO380 / CORDLESS FINISHING SANDER

| Item | Sub | Parts No. | Parts Description | Qty | I/C | E/C No. | Close No. | Remark |
|------|-----|-----------|--------------------------------|-----|-----|---------|-----------|--------|
| 001 | | 265995-6 | TAPPING SCREW 4X18 | 9 | | | | |
| 002 | | 122A91-8 | FRONT GRIP ASSEMBLY | 1 | | | | |
| 003 | | 263036-2 | RUBBER PIN 5 | 1 | | | | |
| 004 | | 268284-8 | PIN 1.5 | 1 | | | | |
| 005 | | 8111J0-9 | DBO380 NAME PLATE | 1 | | | | |
| 006 | | 183T94-1 | HOUSING SET | 1 | | | | |
| | C10 | 263005-3 | RUBBER PIN 6 | 2 | | | | |
| | D10 | | INC. 12 | | | | | |
| 007 | | 8111J6-7 | DBO380 SERIAL NO. LABEL | 1 | | | | |
| 008 | | 643874-2 | TERMINAL | 1 | | | | |
| 009 | | 424517-3 | CUSHION | 1 | | | | |
| 010 | | 141E90-5 | SWITCH PLATE COMPLETE | 1 | | | | |
| 011 | | 632K92-3 | SWITCH UNIT | 1 | | | | |
| 012 | | 183T94-1 | HOUSING SET | 1 | | | | |
| | C10 | 263005-3 | RUBBER PIN 6 | 2 | | | | |
| | D10 | | INC. 6 | | | | | |
| 013 | | 213315-8 | O RING 19 | 1 | | | | |
| 014 | | 266490-9 | TAPPING SCREW PT 2X6 | 3 | | | | |
| 015 | | 629491-2 | STATOR | 1 | | | | |
| 016 | | 652069-6 | FLAT HEAD SCREW M3X6 | 3 | | | | |
| 017 | | 620G25-6 | CONTROLLER | 1 | | | | |
| 018 | | 210022-4 | BALL BEARING 626DDW | 1 | | | | |
| 019 | | 519705-6 | ROTOR ASSY | 1 | | | | |
| | D10 | | INC. 18,20 | | | | | |
| 020 | | 211087-9 | BALL BEARING 6200DDW | 1 | | | | |
| 021 | | 240230-3 | FAN 68 | 1 | | | | |
| 022 | | 266511-7 | + FLAT FILLISTER HEAD SCREW M5 | 2 | | | | |
| 023 | | 213045-1 | O-RING 6 | 2 | | | | |
| 024 | | 346102-1 | PAPER CLAMP | 2 | | | | |
| 025 | | 911136-9 | PAN HEAD SCREW M4X20 | 2 | | | | |
| 026 | | 310300-3 | SPRING GUIDE | 2 | | | | |
| 027 | | 162279-2 | LEVER COMPLETE | 2 | | | | |
| 028 | | 267353-2 | FLAT WASHER 8 | 1 | | | | |
| 029 | | 423469-5 | SPONGE 7X105X3 | 1 | | | | |
| 030 | | 213983-7 | O RING 4 | 8 | | | | |
| 031 | | 424056-3 | SPONGE SLEEVE 9 | 4 | | | | |
| 032 | | 318151-8 | FOOT | 4 | | | | |
| 033 | | 318484-1 | BASE | 1 | | | | |
| 034 | | 253807-5 | FLAT WASHER 5 | 2 | | | | |
| 035 | | 252103-8 | HEX. LOCK NUT M5-8 | 2 | | | | |
| 036 | | 211228-7 | BALL BEARING 6202DDW | 1 | | | | |
| 037 | | 313395-5 | BALANCER | 1 | | | | |
| 038 | | 912222-9 | COUNTERSUNK HEAD SCREW M5X16 | 1 | | | | |
| 039 | | 213656-2 | O RING 53 | 1 | | | | |
| 040 | | 140441-9 | PAD COMPLETE | 1 | | | | |
| 041 | | 911111-5 | PAN HEAD SCREW M4X10 WITH W | 4 | | | | |
| 042 | | 327983-2 | EARTH WIRE | 1 | | | | |
| A01 | | 140115-2 | DUST BAG COMPLETE | 1 | | | | |
| A02 | | 451271-6 | PUNCH PLATE | 1 | | | | |
| A03 | | A-31267 | ABRASIVE PAPER 93X228 #120 | 1 | | | | |
| A04 | | 422807-8 | BATTERY PROTECTOR | 1 | | | | |
| | | | | | | | | |
| | | | | | | | | |
| | | | | | | | | |
| | | | | | | | | |
| | | | | | | | | |
| | | | | | | | | |
| | | | | | | | | |
| | | | | | | | | |
| | | | | | | | | |
| | | | | | | | | |
| | | | | | | | | |
| | | | | | | | | |
| | | | | | | | | |
| | | | | | | | | |
| | | | | | | | | |
| | | | | | | | | |
| | | | | | | | | |
| | | | | | | | | |
| | | | | | | | | |
| | | | | | | | | |
| | | | | | | | | |
| | | | | | | | | |
| | | | | | | | | |

Interchange
 O : Yes
 X : No
 < : the new part can be substituted for the current.
 > : the current part can be substituted for the new.
 S : Interchangeable as a set.