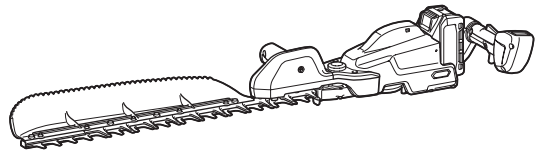




EN	Cordless Hedge Trimmer	INSTRUCTION MANUAL	8
ZHCN	充电式绿篱机	使用说明书	19
ID	Alat Pemotong Tanaman Berdaya Baterai	PETUNJUK PENGGUNAAN	31
MS	Pemangkas Tanaman Pagar Tanpa Kord	MANUAL ARAHAN	43
VI	Máy Tia Hàng Rào Cầm Tay Hoạt Động Bằng Pin	TÀI LIỆU HƯỚNG DẪN	55
TH	เครื่องตัดแต่งพุ่มไม้ไร้สาย	คู่มือการใช้งาน	66

UH013G
UH014G



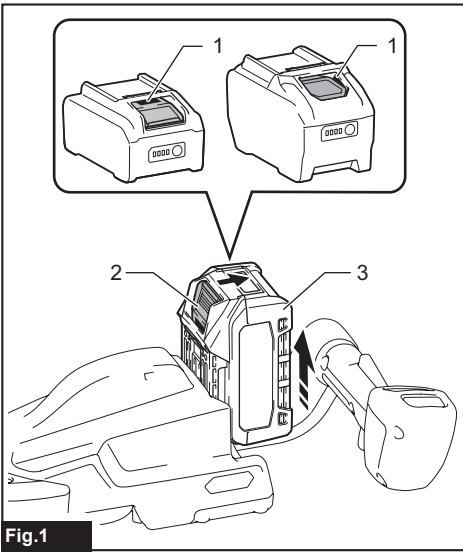


Fig.1

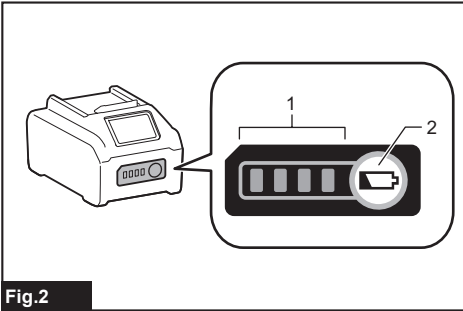


Fig.2

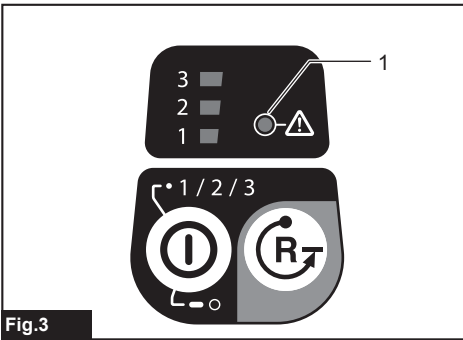


Fig.3

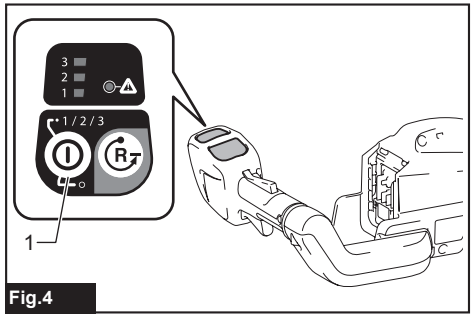


Fig.4

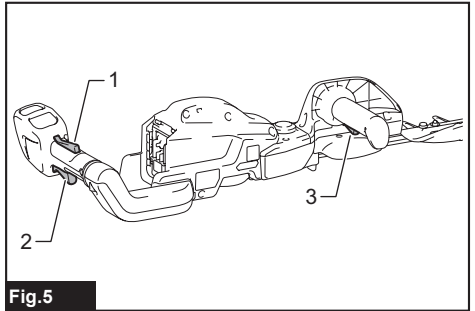


Fig.5

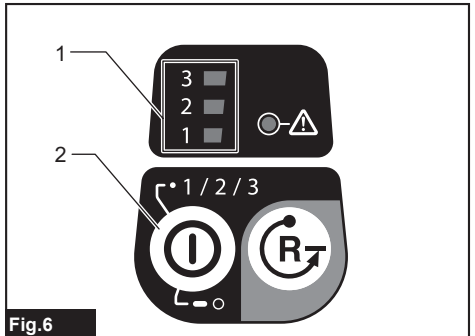


Fig.6

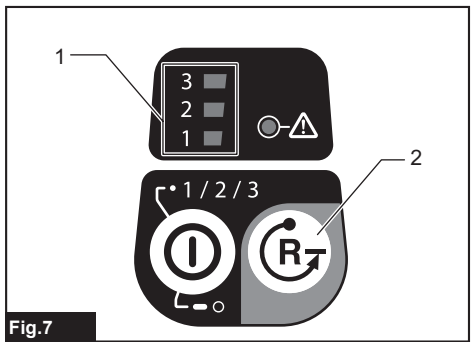


Fig.7

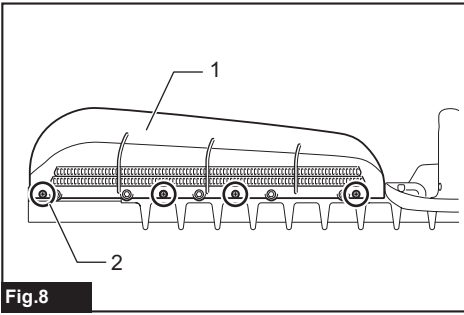


Fig.8

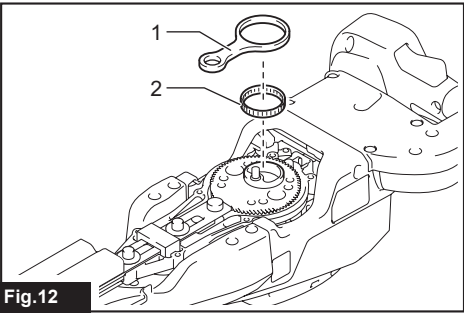


Fig.12

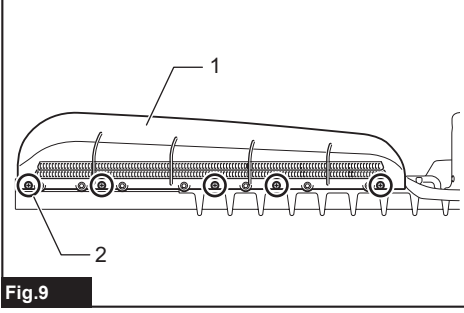


Fig.9

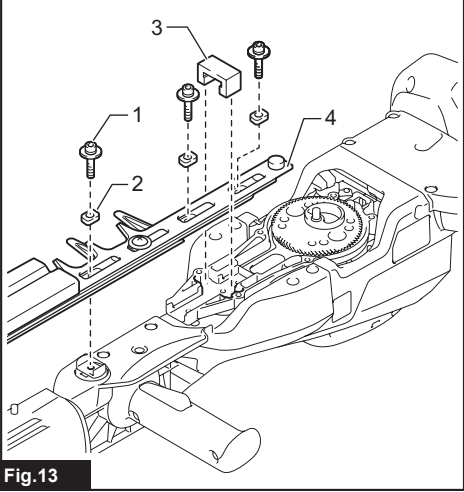


Fig.13

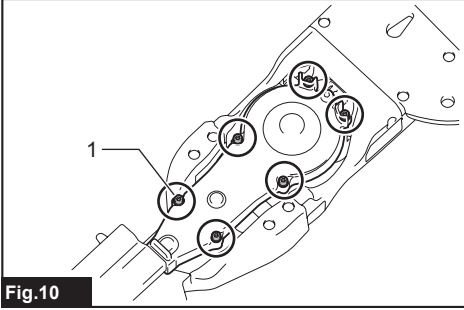


Fig.10

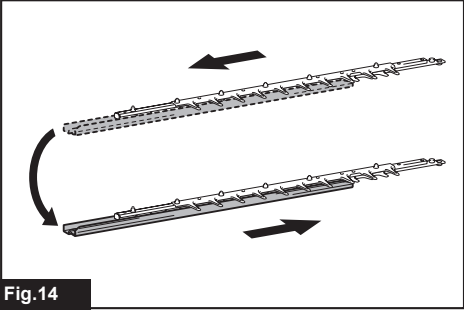


Fig.14

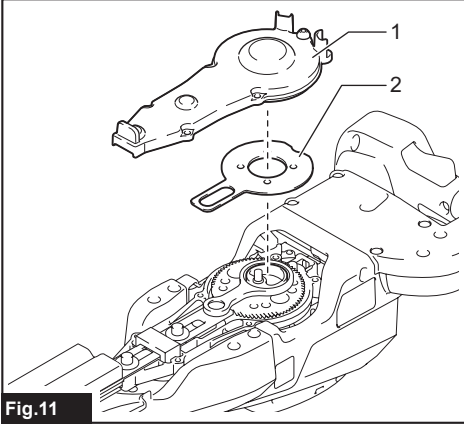


Fig.11

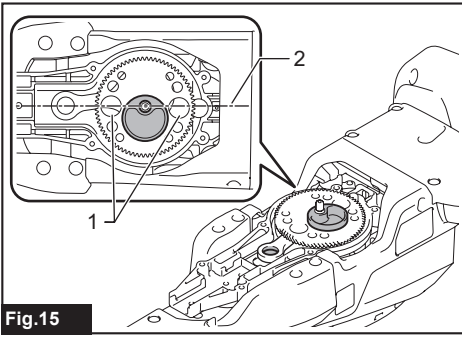


Fig. 15

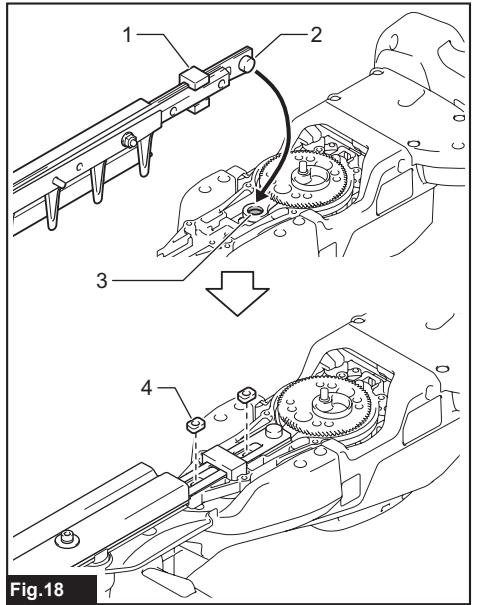


Fig. 18

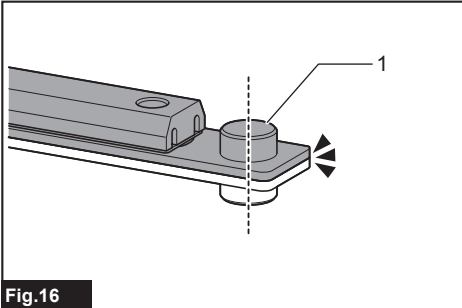


Fig. 16

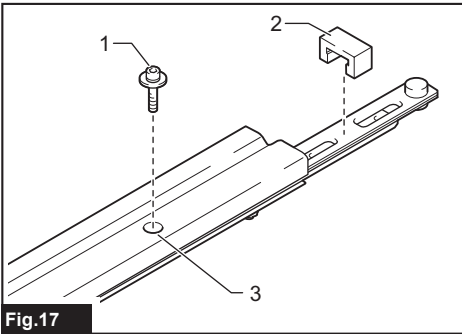


Fig. 17

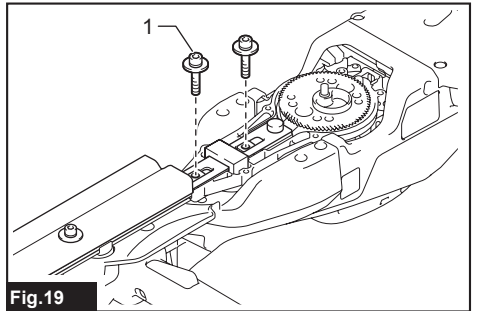


Fig. 19

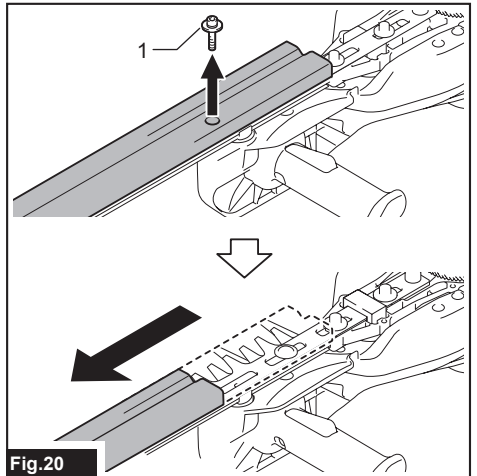


Fig. 20

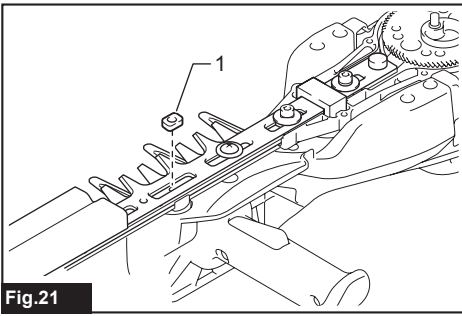


Fig.21

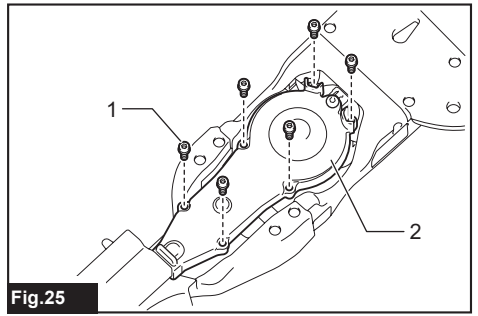


Fig.25

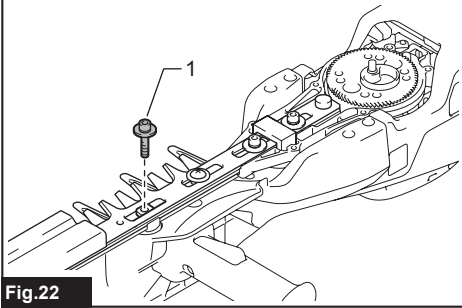


Fig.22

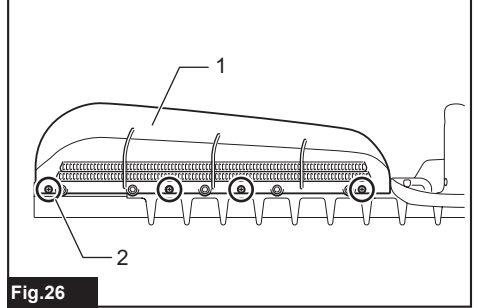


Fig.26

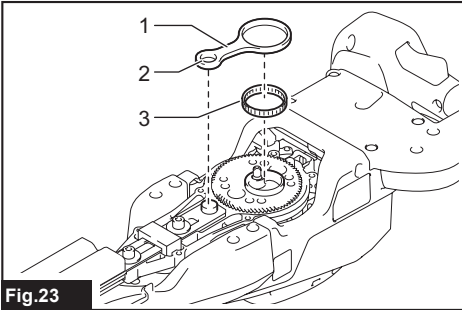


Fig.23

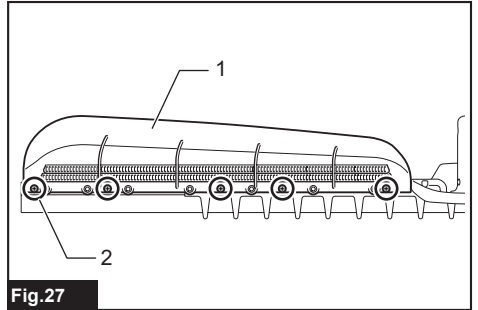


Fig.27

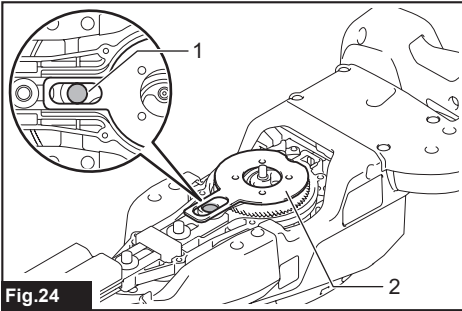


Fig.24

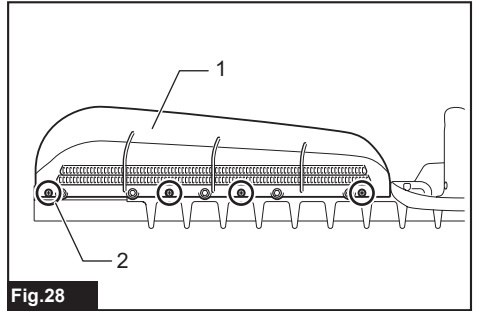


Fig.28

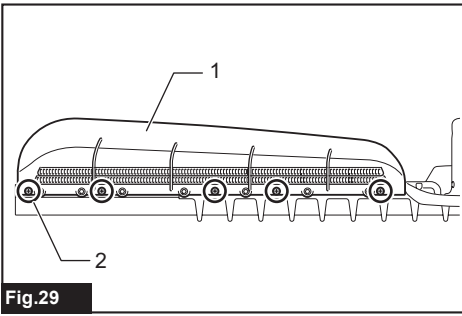


Fig.29

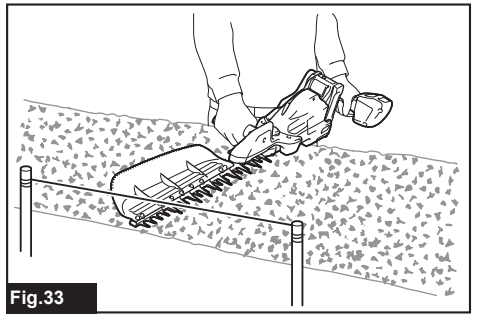


Fig.33

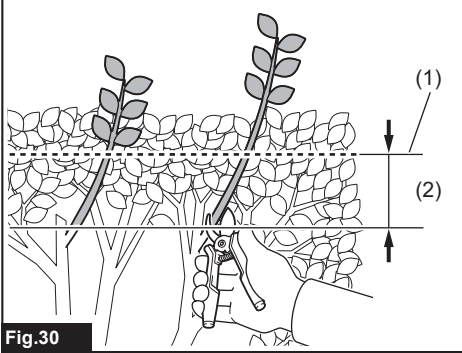


Fig.30



Fig.34

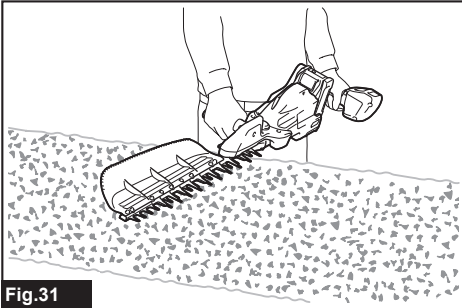


Fig.31

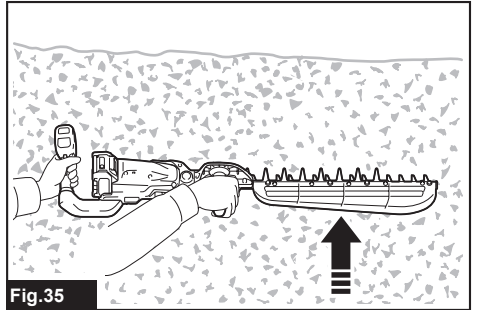


Fig.35

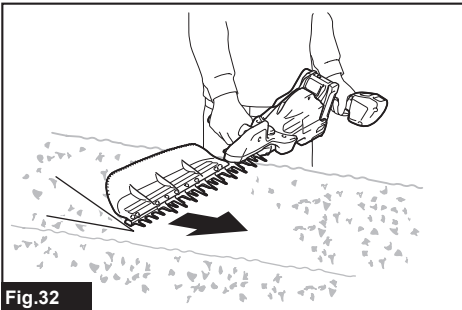


Fig.32

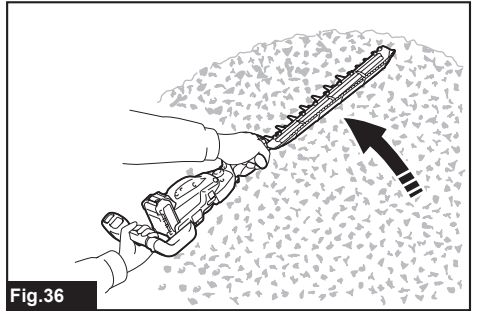
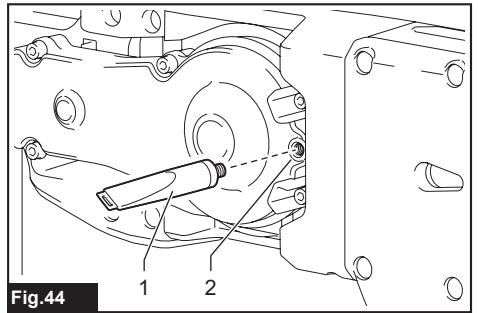
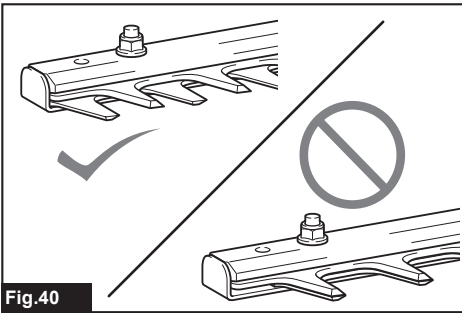
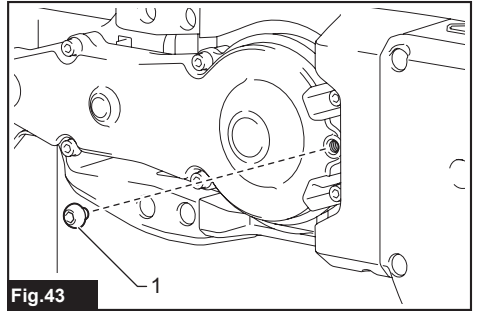
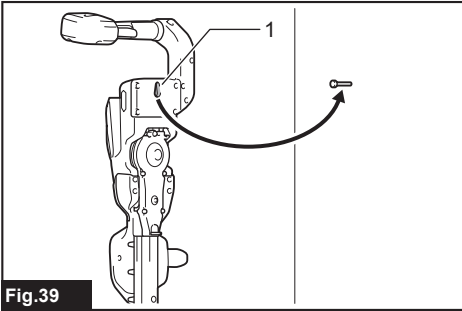
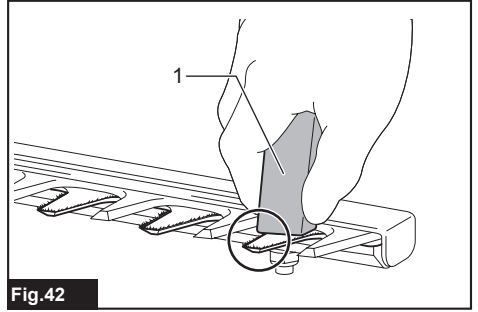
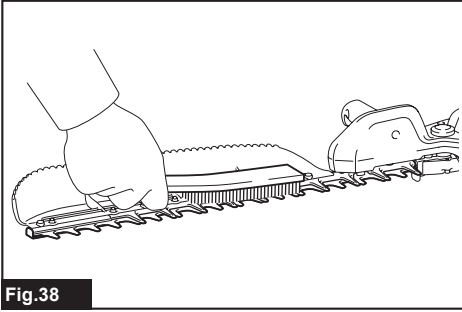
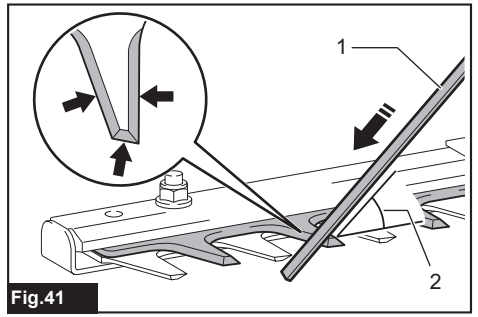
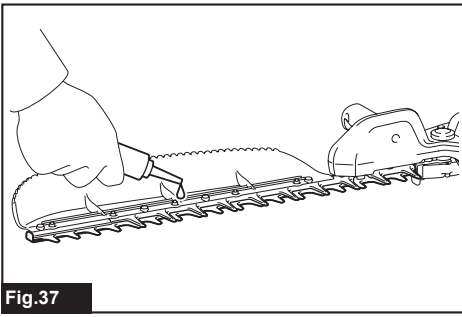


Fig.36



SPECIFICATIONS

Model:	UH013G	UH014G
Blade length	600 mm	750 mm
Strokes per minute	2,000 / 3,600 / 5,000 min ⁻¹	
Overall length	1,085 mm	1,225 mm
Rated voltage	D.C. 36 V - 40 V max	
Net weight	3.9 - 4.5 kg	4.0 - 4.7 kg
Protection degree	IPX4	

- Due to our continuing program of research and development, the specifications herein are subject to change without notice.
- Specifications may differ from country to country.
- The weight may differ depending on the attachment(s), including the battery cartridge. The lightest and heaviest combination, according to EPTA-Procedure 01/2014, are shown in the table.

Applicable battery cartridge and charger

Battery cartridge	BL4020* / BL4025* / BL4040* / BL4050F * : Recommended battery
Charger	DC40RA / DC40RB / DC40RC

- Some of the battery cartridges and chargers listed above may not be available depending on your region of residence.

⚠ WARNING: Only use the battery cartridges and chargers listed above. Use of any other battery cartridges and chargers may cause injury and/or fire.




Recommended cord connected power source

Portable power pack	PDC01 / PDC1200
---------------------	-----------------

- The cord connected power source(s) listed above may not be available depending on your region of residence.
- Before using the cord connected power source, read instruction and cautionary markings on them.

Symbols

The followings show the symbols which may be used for the equipment. Be sure that you understand their meaning before use.

	Read instruction manual.
	DANGER - Keep hands away from blade.
	Wear safety glasses.



Only for EU countries
Due to the presence of hazardous components in the equipment, waste electrical and electronic equipment, accumulators and batteries may have a negative impact on the environment and human health. Do not dispose of electrical and electronic appliances or batteries with household waste!
In accordance with the European Directive on waste electrical and electronic equipment and on accumulators and batteries and waste accumulators and batteries, as well as their adaptation to national law, waste electrical equipment, batteries and accumulators should be stored separately and delivered to a separate collection point for municipal waste, operating in accordance with the regulations on environmental protection.
This is indicated by the symbol of the crossed-out wheeled bin placed on the equipment.

Intended use

The tool is intended for trimming hedges.

SAFETY WARNINGS

General power tool safety warnings

⚠ WARNING: Read all safety warnings, instructions, illustrations and specifications provided with this power tool. Failure to follow all instructions listed below may result in electric shock, fire and/or serious injury.

Save all warnings and instructions for future reference.

The term "power tool" in the warnings refers to your mains-operated (corded) power tool or battery-operated (cordless) power tool.

Work area safety

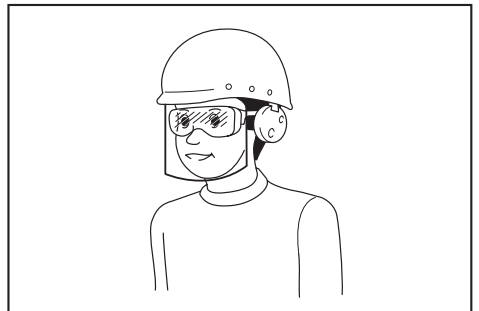
1. **Keep work area clean and well lit.** Cluttered or dark areas invite accidents.
2. **Do not operate power tools in explosive atmospheres, such as in the presence of flammable liquids, gases or dust.** Power tools create sparks which may ignite the dust or fumes.
3. **Keep children and bystanders away while operating a power tool.** Distractions can cause you to lose control.

Electrical safety

1. **Power tool plugs must match the outlet. Never modify the plug in any way. Do not use any adapter plugs with earthed (grounded) power tools.** Unmodified plugs and matching outlets will reduce risk of electric shock.
2. **Avoid body contact with earthed or grounded surfaces, such as pipes, radiators, ranges and refrigerators.** There is an increased risk of electric shock if your body is earthed or grounded.
3. **Do not expose power tools to rain or wet conditions.** Water entering a power tool will increase the risk of electric shock.
4. **Do not abuse the cord. Never use the cord for carrying, pulling or unplugging the power tool. Keep cord away from heat, oil, sharp edges or moving parts.** Damaged or entangled cords increase the risk of electric shock.
5. **When operating a power tool outdoors, use an extension cord suitable for outdoor use.** Use of a cord suitable for outdoor use reduces the risk of electric shock.
6. **If operating a power tool in a damp location is unavoidable, use a residual current device (RCD) protected supply.** Use of an RCD reduces the risk of electric shock.
7. **Power tools can produce electromagnetic fields (EMF) that are not harmful to the user.** However, users of pacemakers and other similar medical devices should contact the maker of their device and/or doctor for advice before operating this power tool.

Personal safety

1. **Stay alert, watch what you are doing and use common sense when operating a power tool. Do not use a power tool while you are tired or under the influence of drugs, alcohol or medication.** A moment of inattention while operating power tools may result in serious personal injury.
2. **Use personal protective equipment. Always wear eye protection.** Protective equipment such as a dust mask, non-skid safety shoes, hard hat or hearing protection used for appropriate conditions will reduce personal injuries.
3. **Prevent unintentional starting. Ensure the switch is in the off-position before connecting to power source and/or battery pack, picking up or carrying the tool.** Carrying power tools with your finger on the switch or energising power tools that have the switch on invites accidents.
4. **Remove any adjusting key or wrench before turning the power tool on.** A wrench or a key left attached to a rotating part of the power tool may result in personal injury.
5. **Do not overreach. Keep proper footing and balance at all times.** This enables better control of the power tool in unexpected situations.
6. **Dress properly. Do not wear loose clothing or jewellery. Keep your hair and clothing away from moving parts.** Loose clothes, jewellery or long hair can be caught in moving parts.
7. **If devices are provided for the connection of dust extraction and collection facilities, ensure these are connected and properly used.** Use of dust collection can reduce dust-related hazards.
8. **Do not let familiarity gained from frequent use of tools allow you to become complacent and ignore tool safety principles.** A careless action can cause severe injury within a fraction of a second.
9. **Always wear protective goggles to protect your eyes from injury when using power tools. The goggles must comply with ANSI Z87.1 in the USA, EN 166 in Europe, or AS/NZS 1336 in Australia/New Zealand. In Australia/New Zealand, it is legally required to wear a face shield to protect your face, too.**



It is an employer's responsibility to enforce the use of appropriate safety protective equipments by the tool operators and by other persons in the immediate working area.

Power tool use and care

1. **Do not force the power tool. Use the correct power tool for your application.** The correct power tool will do the job better and safer at the rate for which it was designed.
2. **Do not use the power tool if the switch does not turn it on and off.** Any power tool that cannot be controlled with the switch is dangerous and must be repaired.
3. **Disconnect the plug from the power source and/or remove the battery pack, if detachable, from the power tool before making any adjustments, changing accessories, or storing power tools.** Such preventive safety measures reduce the risk of starting the power tool accidentally.
4. **Store idle power tools out of the reach of children and do not allow persons unfamiliar with the power tool or these instructions to operate the power tool.** Power tools are dangerous in the hands of untrained users.
5. **Maintain power tools and accessories. Check for misalignment or binding of moving parts, breakage of parts and any other condition that may affect the power tool's operation. If damaged, have the power tool repaired before use.** Many accidents are caused by poorly maintained power tools.
6. **Keep cutting tools sharp and clean.** Properly maintained cutting tools with sharp cutting edges are less likely to bind and are easier to control.
7. **Use the power tool, accessories and tool bits etc. in accordance with these instructions, taking into account the working conditions and the work to be performed.** Use of the power tool for operations different from those intended could result in a hazardous situation.
8. **Keep handles and grasping surfaces dry, clean and free from oil and grease.** Slippery handles and grasping surfaces do not allow for safe handling and control of the tool in unexpected situations.
9. **When using the tool, do not wear cloth work gloves which may be entangled.** The entanglement of cloth work gloves in the moving parts may result in personal injury.

Battery tool use and care

1. **Recharge only with the charger specified by the manufacturer.** A charger that is suitable for one type of battery pack may create a risk of fire when used with another battery pack.
2. **Use power tools only with specifically designated battery packs.** Use of any other battery packs may create a risk of injury and fire.
3. **When battery pack is not in use, keep it away from other metal objects, like paper clips, coins, keys, nails, screws or other small metal objects, that can make a connection from one terminal to another.** Shorting the battery terminals together may cause burns or a fire.
4. **Under abusive conditions, liquid may be ejected from the battery; avoid contact. If contact accidentally occurs, flush with water. If liquid contacts eyes, additionally seek medical help.** Liquid ejected from the battery may cause irritation or burns.

5. **Do not use a battery pack or tool that is damaged or modified.** Damaged or modified batteries may exhibit unpredictable behaviour resulting in fire, explosion or risk of injury.
6. **Do not expose a battery pack or tool to fire or excessive temperature.** Exposure to fire or temperature above 130 °C may cause explosion.
7. **Follow all charging instructions and do not charge the battery pack or tool outside the temperature range specified in the instructions.** Charging improperly or at temperatures outside the specified range may damage the battery and increase the risk of fire.

Service

1. **Have your power tool serviced by a qualified repair person using only identical replacement parts.** This will ensure that the safety of the power tool is maintained.
2. **Never service damaged battery packs.** Service of battery packs should only be performed by the manufacturer or authorized service providers.
3. **Follow instruction for lubricating and changing accessories.**

Cordless Hedge Trimmer Safety Warnings

1. **Keep all parts of the body away from the blade. Do not remove cut material or hold material to be cut when blades are moving.** Blades continue to move after the switch is turned off. A moment of inattention while operating the hedge trimmer may result in serious personal injury.
2. **Carry the hedge trimmer by the handle with the blade stopped and taking care not to operate any power switch.** Proper carrying of the hedge trimmer will decrease the risk of inadvertent starting and resultant personal injury from the blades.
3. **When transporting or storing the hedge trimmer, always fit the blade cover.** Proper handling of the hedge trimmer will decrease the risk of personal injury from the blades.
4. **When clearing jammed material or servicing the unit, make sure all power switches are off and the battery pack is removed or disconnected.** Unexpected actuation of the hedge trimmer while clearing jammed material or servicing may result in serious personal injury.
5. **Hold the hedge trimmer by insulated gripping surfaces only, because the blade may contact hidden wiring.** Blades contacting a "live" wire may make exposed metal parts of the hedge trimmer "live" and could give the operator an electric shock.
6. **Keep all power cords and cables away from cutting area.** Power cords or cables may be hidden in hedges or bushes and can be accidentally cut by the blade.
7. **Do not use the hedge trimmer in bad weather conditions, especially when there is a risk of lightning.** This decreases the risk of being struck by lightning.

Additional Safety Instructions

Preparation

1. Check the hedges and bushes for foreign objects, such as wire fences or hidden wiring before operating the tool.
2. The tool must not be used by children or young persons under 18 years of age. Young persons over 16 years of age may be exempted from this restriction if they are undergoing training under the supervision of an expert.
3. First-time users should have an experienced user show them how to use the tool.
4. Use the tool only if you are in good physical condition. If you are tired, your attention will be reduced. Be especially careful at the end of a working day. Perform all work calmly and carefully. The user is responsible for all damages to third parties.
5. Never use the tool when under the influence of alcohol, drugs or medication.
6. Work gloves of stout leather are part of the basic equipment of the tool and must always be worn when working with it. Also wear sturdy shoes with anti-skid soles.
7. Before starting work check to make sure that the tool is in good and safe working order. Ensure guards are fitted properly. The tool must not be used unless fully assembled.

Operation

1. Hold the tool firmly with both hands when using the tool.
2. The tool is intended to be used by the operator at ground level. Do not use the tool on ladders or any other unstable support.
3. DANGER - Keep hands away from blade. Contact with blade will result in serious personal injury.
4. Make sure you have a secure footing before starting operation.
5. Do not operate the tool at no-load unnecessarily.
6. Immediately switch off the tool and remove the battery cartridge if the shear blades should come into contact with a fence or other hard object. Check the blades for damage, and if damaged, replace the blades immediately.
7. Before checking the shear blades, taking care of faults, or removing material caught in the shear blades, always switch off the tool and remove the battery cartridge.
8. Never point the shear blades to yourself or others.
9. If the blades stop moving due to the stuck of foreign objects between the blades during operation, switch off the tool and remove the battery cartridge, and then remove the foreign objects using tools such as pliers. Removing the foreign objects by hand may cause an injury for the reason that the blades may move in reaction to removing the foreign objects.
10. When you use the tool on muddy ground, wet slope, or slippery place, pay attention to your footing.

11. Do not submerge the tool into a puddle.
12. Do not leave the tool unattended outdoors in the rain.

Electrical and battery safety

1. Avoid dangerous environment. Don't use the tool in dump or wet locations or expose it to rain. Water entering the tool will increase the risk of electric shock.
2. Do not dispose of the battery(ies) in a fire. The cell may explode. Check with local codes for possible special disposal instructions.
3. Do not open or mutilate the battery(ies). Released electrolyte is corrosive and may cause damage to the eyes or skin. It may be toxic if swallowed.
4. Do not charge battery in rain, or in wet locations.
5. Do not charge the battery outdoors.
6. Do not handle charger, including charger plug, and charger terminals with wet hands.
7. Do not replace the battery with wet hands.
8. Do not replace the battery in the rain.
9. Do not wet the terminal of battery with liquid such as water, or submerge the battery. Do not leave the battery in the rain, nor charge, use, or store the battery in a damp or wet place. If the terminal gets wet or liquid enters inside of battery, the battery may be short circuited and there is a risk of overheat, fire, or explosion.
10. After removing the battery from the tool or charger, be sure to attach the battery cover to the battery and store it in a dry place.
11. If the battery cartridge gets wet, drain the water inside and then wipe it with a dry cloth. Dry the battery cartridge completely in a dry place before use.

Maintenance and storage

1. Switch off the tool and remove the battery cartridge before doing any maintenance work.
2. When moving the tool to another location, including during work, always remove the battery cartridge and put the blade cover on the shear blades. Never carry or transport the tool with the blades running. Never grasp the blades with your hands.
3. Clean the tool and especially the shear blades after use, and before putting the tool into storage for extended periods. Lightly oil the blades and put on the blade cover.
4. Store the tool with the blade cover on, in a dry room. Keep it out of reach of children. Never store the tool outdoors.
5. Do not dispose of the battery(ies) in a fire. The cell may explode. Check with local codes for possible special disposal instructions.
6. Do not open or mutilate the battery(ies). Released electrolyte is corrosive and may cause damage to the eyes or skin. It may be toxic if swallowed.
7. Do not charge battery in rain, or in wet locations.

- When storing the tool, avoid direct sunlight and rain, and store it in a place where it does not get hot or humid.

SAVE THESE INSTRUCTIONS.

⚠WARNING: DO NOT let comfort or familiarity with product (gained from repeated use) replace strict adherence to safety rules for the subject product. MISUSE or failure to follow the safety rules stated in this instruction manual may cause serious personal injury.

Important safety instructions for battery cartridge

- Before using battery cartridge, read all instructions and cautionary markings on (1) battery charger, (2) battery, and (3) product using battery.
- Do not disassemble or tamper the battery cartridge. It may result in a fire, excessive heat, or explosion.
- If operating time has become excessively shorter, stop operating immediately. It may result in a risk of overheating, possible burns and even an explosion.
- If electrolyte gets into your eyes, rinse them out with clear water and seek medical attention right away. It may result in loss of your eyesight.
- Do not short the battery cartridge:
 - Do not touch the terminals with any conductive material.
 - Avoid storing battery cartridge in a container with other metal objects such as nails, coins, etc.
 - Do not expose battery cartridge to water or rain.

A battery short can cause a large current flow, overheating, possible burns and even a breakdown.
- Do not store and use the tool and battery cartridge in locations where the temperature may reach or exceed 50 °C (122 °F).
- Do not incinerate the battery cartridge even if it is severely damaged or is completely worn out. The battery cartridge can explode in a fire.
- Do not nail, cut, crush, throw, drop the battery cartridge, or hit against a hard object to the battery cartridge. Such conduct may result in a fire, excessive heat, or explosion.
- Do not use a damaged battery.

- The contained lithium-ion batteries are subject to the Dangerous Goods Legislation requirements.

For commercial transports e.g. by third parties, forwarding agents, special requirement on packaging and labeling must be observed. For preparation of the item being shipped, consulting an expert for hazardous material is required. Please also observe possibly more detailed national regulations.

Tape or mask off open contacts and pack up the battery in such a manner that it cannot move around in the packaging.

- When disposing the battery cartridge, remove it from the tool and dispose of it in a safe place. Follow your local regulations relating to disposal of battery.
- Use the batteries only with the products specified by Makita. Installing the batteries to non-compliant products may result in a fire, excessive heat, explosion, or leak of electrolyte.
- If the tool is not used for a long period of time, the battery must be removed from the tool.
- During and after use, the battery cartridge may take on heat which can cause burns or low temperature burns. Pay attention to the handling of hot battery cartridges.
- Do not touch the terminal of the tool immediately after use as it may get hot enough to cause burns.
- Do not allow chips, dust, or soil stuck into the terminals, holes, and grooves of the battery cartridge. It may cause heating, catching fire, burst and malfunction of the tool or battery cartridge, resulting in burns or personal injury.
- Unless the tool supports the use near high-voltage electrical power lines, do not use the battery cartridge near a high-voltage electrical power lines. It may result in a malfunction or breakdown of the tool or battery cartridge.
- Keep the battery away from children.

SAVE THESE INSTRUCTIONS.

⚠CAUTION: Only use genuine Makita batteries. Use of non-genuine Makita batteries, or batteries that have been altered, may result in the battery bursting causing fires, personal injury and damage. It will also void the Makita warranty for the Makita tool and charger.

Tips for maintaining maximum battery life

1. Charge the battery cartridge before completely discharged. Always stop tool operation and charge the battery cartridge when you notice less tool power.
2. Never recharge a fully charged battery cartridge. Overcharging shortens the battery service life.
3. Charge the battery cartridge with room temperature at 10 °C - 40 °C (50 °F - 104 °F). Let a hot battery cartridge cool down before charging it.
4. When not using the battery cartridge, remove it from the tool or the charger.
5. Charge the battery cartridge if you do not use it for a long period (more than six months).

FUNCTIONAL DESCRIPTION

CAUTION: Always be sure that the tool is switched off and the battery cartridge is removed before adjusting or checking function on the tool.

Installing or removing battery cartridge

CAUTION: Always switch off the tool before installing or removing of the battery cartridge.

CAUTION: Hold the tool and the battery cartridge firmly when installing or removing battery cartridge. Failure to hold the tool and the battery cartridge firmly may cause them to slip off your hands and result in damage to the tool and battery cartridge and a personal injury.

► Fig.1: 1. Red indicator 2. Button 3. Battery cartridge

To remove the battery cartridge, slide it from the tool while sliding the button on the front of the cartridge.

To install the battery cartridge, align the tongue on the battery cartridge with the groove in the housing and slip it into place. Insert it all the way until it locks in place with a little click. If you can see the red indicator as shown in the figure, it is not locked completely.

CAUTION: Always install the battery cartridge fully until the red indicator cannot be seen. If not, it may accidentally fall out of the tool, causing injury to you or someone around you.

CAUTION: Do not install the battery cartridge forcibly. If the cartridge does not slide in easily, it is not being inserted correctly.

Indicating the remaining battery capacity

Press the check button on the battery cartridge to indicate the remaining battery capacity. The indicator lamps light up for a few seconds.

► Fig.2: 1. Indicator lamps 2. Check button

Indicator lamps			Remaining capacity
Lighted	Off	Blinking	
■ ■ ■ ■			75% to 100%
■ ■ ■ □			50% to 75%
■ ■ □ □			25% to 50%
■ □ □ □			0% to 25%
▬ □ □ □			Charge the battery.
■ ■ □ □			The battery may have malfunctioned.
□ □ ■ ■			

NOTE: Depending on the conditions of use and the ambient temperature, the indication may differ slightly from the actual capacity.

NOTE: The first (far left) indicator lamp will blink when the battery protection system works.

Tool / battery protection system

The tool is equipped with a tool/battery protection system. This system automatically cuts off power to the motor to extend tool and battery life. The tool will automatically stop during operation if the tool is placed under one of the following conditions:

► Fig.3: 1. Caution lamp

Caution lamp		Status
Color	● On ● Blinking	
Green	●	Overload
Red	● (tool) / ● (battery)	Overheat
Red	●	Over discharge

NOTICE: Depending on the usage conditions, the tool automatically stops without any indication if the branches or debris are entangled in the tool. In this case, switch off the tool and remove the battery cartridge, and then remove entangled branches or debris using tools such as pliers. After removing the branches or debris, install the battery cartridge and turn on the tool again.

Overload protection

If the tool or battery is overloaded by entangled branches or other debris, the tool automatically stops and the caution lamp starts blinking in green. In this situation, turn the tool off and stop the application that caused the tool to become overloaded. Then turn the tool on to restart.

Overheat protection for tool or battery

If the tool or battery cartridge is overheated, the tool stops automatically. When the tool is overheated, the caution lamp lights up in red. When the battery cartridge is overheated, the caution lamp blinks in red. Let the tool and/or battery cool down before turning the tool on again.

Overdischarge protection

When the battery capacity becomes low, the tool stops automatically and the caution lamp starts blinking in red. If the tool does not operate even when the switches are operated, remove the battery cartridge from the tool and charge it.

Protections against other causes

Protection system is also designed for other causes that could damage the tool and allows the tool to stop automatically. Take all the following steps to clear the causes, when the tool has been brought to a temporary halt or stop in operation.

1. Turn the tool off, and then turn it on again to restart.
2. Charge the battery(ies) or replace it/them with recharged battery(ies).
3. Let the machine and battery(ies) cool down.

If no improvement can be found by restoring protection system, then contact your local Makita Service Center.

Power switch action

⚠ WARNING: For your safety, this tool is equipped with lever which prevents the tool from unintended starting. NEVER use the tool if it runs when you simply pull the switch triggers without pressing the lever. Return the tool to our authorized service center for proper repairs BEFORE further usage.

⚠ WARNING: NEVER tape down or defeat purpose and function of the lever.

⚠ WARNING: Before installing the battery cartridge on the tool, always check to see that the switch triggers and lever actuate properly and return to the "OFF" position when released. Operating a tool with a switch that does not actuate properly can lead to loss of control and serious personal injury.

⚠ CAUTION: Never put your finger on the switch triggers when carrying. The tool may start unintentionally and cause injury.

NOTICE: Do not pull the switch trigger hard without pressing the lever. This can cause switch breakage.

Press the main power button to turn on the tool. To turn off the tool, press and hold the main power button until the speed indicators go off.

► **Fig.4:** 1. Main power button

NOTE: The caution lamp blinks if the switch trigger is pulled under unoperable conditions. The caution lamp blinks if you turn on the main power switch while holding down the lever and the switch trigger.

NOTE: This tool employs the auto power-off function. To avoid unintentional start up, the main power switch will automatically shut down when the switch trigger is not pulled for a certain period after the main power switch is turned on.







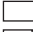


To prevent the switch trigger from being accidentally pulled, the lever is provided. To start the tool, pull the front switch trigger, and then pull the rear switch trigger while pressing the lever. When you release either of the switch triggers, the tool stops.

► **Fig.5:** 1. Lever 2. Rear switch trigger 3. Front switch trigger

Speed adjusting

You can adjust the tool speed by pressing the main power button. Each time you press the main power button, the level of speed changes.

► **Fig.6:** 1. Speed indicator 2. Main power button

Speed indicator	Mode	Stroke speed
3  2  1 	High	5,000 min ⁻¹
3  2  1 	Medium	3,600 min ⁻¹
3  2  1 	Low	2,000 min ⁻¹

Reverse button for debris removal

⚠ WARNING: If the entangled branches or debris cannot be removed by the reverse function, switch off the tool and remove the battery cartridge, and then remove the entangled branches or debris using tools such as pliers. Failure to switch off the tool and remove the battery cartridge may result in serious personal injury from accidental start-up. Removing the entangled branches or debris by hand may cause an injury, since the shear blades may move in reaction to removing them.

This tool has a reverse button to change the direction of shear blades movement. It is only for removing branches and debris entangled in the tool.

To reverse the shear blades movement, press the reverse button when the shear blades have stopped, then pull the front switch trigger, and then pull the rear switch trigger while pressing the lever. The speed indicators start blinking, and the shear blades move in reverse direction.

When entangled branches and debris are removed, the tool returns to the regular movement and the speed indicators stop blinking and light up.

► **Fig.7:** 1. Speed indicator 2. Reverse button

NOTE: If the entangled branches or debris cannot be removed, release the switch triggers, then press the reverse button, and then pull the switch triggers until they are removed.

NOTE: If you tap the reverse button while the shear blades are still moving, the tool comes to stop and to be ready for reverse movement.

Electronic function

The tool is equipped with the electronic functions for easy operation.

- Constant speed control
The speed control function provides the constant rotation speed regardless of load conditions.
- Electric brake
This tool is equipped with an electric brake. If the tool consistently fails to quickly stop the shear blades after releasing the switch trigger, have the tool serviced at Makita Authorized Service Center.
- Accidental re-start preventive function
Even if you install the battery cartridge while pulling the switch trigger, the tool does not start. To start the tool, first release the switch trigger, and then pull the switch trigger.

ASSEMBLY

⚠ CAUTION: Always be sure that the tool is switched off and the battery cartridge is removed before carrying out any work on the tool.

⚠ CAUTION: When replacing the shear blades, always wear gloves so that your hands do not directly contact the blades.

NOTICE: When replacing the shear blades, do not wipe off grease from the gear and crank.

Installing or removing the shear blades

⚠ CAUTION: Attach the blade cover before removing or installing the shear blades.

You can install 600 mm or 750 mm shear blades to your tool.

NOTE: If you change the shear blades to a different length, replace the chip receiver with one which fits the blades.

1. Remove four screws (for UH013G) or five screws (for UH014G), and then remove the chip receiver from the tool.

For UH013G

► **Fig.8:** 1. Chip receiver 2. Screw

For UH014G

► **Fig.9:** 1. Chip receiver 2. Screw

2. Place the tool upside down, and then remove six bolts.

► **Fig.10:** 1. Bolt

3. Remove the cover and the plate.

► **Fig.11:** 1. Cover 2. Plate

NOTE: The plate may remain on the cover.

4. Remove the rod and the bearing.

► **Fig.12:** 1. Rod 2. Bearing

NOTE: The rod or bearing may remain on the cover.

5. Remove three screws, three sleeves and the felt pad, and then remove the shear blades.

► **Fig.13:** 1. Screw 2. Sleeve 3. Felt pad 4. Shear blades

NOTICE: Be careful not to lose the screws.

6. Remove the blade cover, and then attach it to the new shear blades.

► **Fig.14**

7. Adjust the crank so that two holes are lined up on the alignment line.

► **Fig.15:** 1. Hole 2. Alignment line

8. Align the protrusions on the shear blades vertically at the same position.

► **Fig.16:** 1. Protrusion

9. Insert the screw removed in step 5 into the holes on the blade cover and the shear blades to temporarily fix the shear blades, and then attach the felt pad to the shear blades.

► **Fig.17:** 1. Screw 2. Felt pad 3. Hole

10. Insert the protrusion on the shear blades to the hole on the rod, then align the position of the felt pad with the holes on the tool. Attach two new sleeves.

► **Fig.18:** 1. Felt pad 2. Protrusion 3. Hole 4. Sleeve

NOTICE: Apply a small amount of grease to the inner periphery of the hole of the rod.

NOTICE: Be careful not to lose the sleeves.

11. Align the holes on the sleeves and shear blades with the holes on the tool, and then tighten two screws to temporarily fix the shear blades.

► **Fig.19:** 1. Screw

12. Remove the screw inserted into the hole on the shear blades in step 9, and then slide the blade cover.

► **Fig.20:** 1. Screw

13. Attach a new sleeve.

► Fig.21: 1. Sleeve

14. Tighten the screw together with the sleeve to fix the shear blades.

► Fig.22: 1. Screw

15. Firmly tighten the screws which were temporarily fixed in step 11.

16. Attach the bearing and the rod.

► Fig.23: 1. Rod 2. Small hole 3. Bearing

NOTICE: Apply a small amount of grease to the inner periphery of the small hole of the rod.

NOTICE: Make sure that the protrusion on the shear blades fits in the small hole on the rod.

17. Attach the plate.

► Fig.24: 1. Protrusion 2. Plate

NOTICE: Make sure that the protrusion on the shear blades fits in the hole on the plate.

18. Attach the cover, and then tighten six bolts.

► Fig.25: 1. Bolt 2. Cover

19. Attach the chip receiver to the tool by tightening four screws (for UH013G) or five screws (for UH014G).

For UH013G

► Fig.26: 1. Chip receiver 2. Screw

For UH014G

► Fig.27: 1. Chip receiver 2. Screw

NOTICE: If the shear blades do not move smoothly, the shear blades are not engaged with the rods properly. Install the shear blades again.

NOTICE: If the parts other than the shear blades such as the rods are worn out, ask Makita Authorized Service Centers for parts replacement or repairs.

Removing or installing the chip receiver

CAUTION: When installing or removing the chip receiver, always wear gloves so that your hands do not directly contact the shear blades.

The chip receiver gathers discarded leaves and makes clean-up afterward much easier.

To remove the chip receiver, remove four screws (for UH013G) or five screws (for UH014G), and then remove the chip receiver from the tool. To install the chip receiver, follow the removal procedure in reverse.

For UH013G

► Fig.28: 1. Chip receiver 2. Screw

For UH014G

► Fig.29: 1. Chip receiver 2. Screw

OPERATION

WARNING: Keep hands away from shear blades.

CAUTION: Avoid operating the tool in very hot weather as much as practicable. When operating the tool, be careful of your physical condition.

CAUTION: Be careful not to accidentally contact a metal fence or other hard objects while trimming. The shear blades may break and cause an injury.

CAUTION: Be careful not to allow the shear blades to contact the ground. The tool may recoil and cause an injury.

CAUTION: Overreaching with a hedge trimmer, particularly from a ladder, is extremely dangerous. Do not work while standing on anything wobbly or infirm.

NOTICE: Do not attempt to cut branches thicker than 10 mm in diameter with the tool. Cut branches to 10 cm lower than the cutting height using branch cutters before using the tool.

► Fig.30: (1) Cutting height (2) 10 cm

NOTICE: Do not cut down dead trees or similar hard objects. Doing so may damage the tool.

NOTICE: Do not trim the grass or weeds while using the shear blades. The shear blades may become tangled in the grass or weeds.

Hold the front grip with your right hand and the rear grip with your left hand. Pull the front switch trigger, then pull the rear switch trigger while pressing the lever, and then move the tool forward.

► Fig.31

For basic operation, tilt the shear blades toward the trimming direction and move it calmly and slowly at the speed rate of 3 to 4 seconds per meter.

► Fig.32

To cut a hedge top evenly, tie a string at the desired height and trim along it.

► Fig.33

The chip receiver gathers discarded leaves and makes clean-up afterward much easier.

► Fig.34

To cut a hedge side evenly, cut from the bottom to top.

► Fig.35

When trimming to make a round shape (trimming boxwood or rhododendron, etc.), trim from the root to the top for a beautiful finish.

► Fig.36

MAINTENANCE

CAUTION: Always be sure that the tool is switched off and the battery cartridge is removed before attempting to perform inspection or maintenance.

To maintain product SAFETY and RELIABILITY, repairs, any other maintenance or adjustment should be performed by Makita Authorized or Factory Service Centers, always using Makita replacement parts.

Cleaning the tool

Clean the tool by wiping off dust with a dry cloth or one dipped in soapy water and wrung out.

NOTICE: Never use gasoline, benzine, thinner, alcohol or the like. Discoloration, deformation or cracks may result.

Shear blade maintenance

Before the operation or once per hour during operation, apply low-viscosity oil (machine oil, or spray-type lubricating oil) to the shear blades.

► Fig.37

After operation, remove dust from the shear blades with a wired brush, wipe it off with a cloth and then apply low-viscosity oil (machine oil, or spray-type lubricating oil) to the shear blades.

► Fig.38

NOTICE: Do not wash the shear blades in water. Doing so may cause rust or damage to the tool.

NOTICE: Dirt and corrosion cause excessive blade friction and shorten the operating time per battery charge.

Storage

The hook hole in the tool bottom is convenient for hanging the tool from a nail or screw on the wall.

Remove the battery cartridge from the tool, and then attach the blade cover to the shear blades so that the blades are not exposed. Store the tool out of the reach of children. Store the tool in a place not exposed to moisture or rain.

► Fig.39: 1. Hole

Grinding the shear blades

NOTICE: If the shear blades have considerably deformed by grinding, replace the shear blades with new ones.

1. Install the battery cartridge to the tool.
2. Turn on and start the tool so that the upper blade and lower blade are positioned alternately.
► Fig.40
3. Turn off the tool and remove the battery cartridge from the tool.
4. Set the angle of a file to 45°, and grind the upper blade from 3 directions with the file.
► Fig.41: (1) File (2) 45°

CAUTION: Before grinding the shear blades, make sure that the tool is switched off and the battery cartridge is removed from the tool.

5. Place the tool upside down, and then remove the burrs from the shear blades with the dressing stone.
► Fig.42: 1. Dressing stone
6. Set the angle of the file to 45°, and grind the lower blade from 3 directions with the file.
7. Return the tool to normal position, and then remove the burrs from the shear blades with the dressing stone.

Grease lubrication

Interval of lubrication: Every 50 operating hours

1. Remove the bolt from the hole for lubrication.
► Fig.43: 1. Bolt
2. Remove the cap from the grease vessel. Align the outlet of the grease vessel with the hole on the cover, and then press the outlet of the grease vessel onto the hole.
► Fig.44: 1. Grease vessel 2. Hole
3. Apply the grease to the tool (Approximately 5 g as a guide).
4. Tighten the bolt.

TROUBLESHOOTING

Before asking for repairs, conduct your own inspection first. If you find a problem that is not explained in the manual, do not attempt to dismantle the tool. Instead, ask Makita Authorized Service Centers, always using Makita replacement parts for repairs.

State of abnormality	Probable cause (malfunction)	Remedy
Motor does not run.	Battery cartridge is not installed.	Install the battery cartridge.
	Battery problem (under voltage)	Recharge the battery. If recharging is not effective, replace battery.
	The drive system does not work correctly.	Ask your local authorized service center for repair.
Motor stops running after a little use.	Battery's charge level is low.	Recharge the battery. If recharging is not effective, replace battery.
	Overheating.	Stop using of tool to allow it to cool down.
Tool does not reach maximum RPM.	Battery is installed improperly.	Install the battery cartridge as described in this manual.
	Battery power is dropping.	Recharge the battery. If recharging is not effective, replace battery.
	The drive system does not work correctly.	Ask your local authorized service center for repair.
Shear blades do not move: ⇒ stop the machine immediately!	Foreign objects are caught between the shear blades.	1. Use the reverse button. 2. Switch off the tool and remove the battery cartridge, and then remove the foreign objects using tools such as pliers.
	The drive system does not work correctly.	Ask your local authorized service center for repair.
Abnormal vibration: ⇒ stop the machine immediately!	Shear blades are broken, bent or worn.	Replace the shear blades.
	The drive system does not work correctly.	Ask your local authorized service center for repair.
Shear blades and motor cannot stop: ⇒ Remove the battery immediately!	Electric malfunction.	Remove the battery and ask your local authorized service center for repair.

OPTIONAL ACCESSORIES

⚠ CAUTION: These accessories or attachments are recommended for use with your Makita tool specified in this manual. The use of any other accessories or attachments might present a risk of injury to persons. Only use accessory or attachment for its stated purpose.

If you need any assistance for more details regarding these accessories, ask your local Makita Service Center.

- Shear blade assembly
- Chip receiver
- Grease vessel
- Makita genuine battery and charger

NOTE: Some items in the list may be included in the tool package as standard accessories. They may differ from country to country.

规格

型号:	UH013G	UH014G
刀片长度	600 mm	750 mm
冲程速度	2,000 / 3,600 / 5,000 /min	
总长度	1,085 mm	1,225 mm
额定电压	D.C. 36 V - 40 V (最大)	
净重	3.9 - 4.5 kg	4.0 - 4.7 kg
防护等级	IPX4	

- 生产者保留变更规格不另行通知之权利。
- 规格可能因销往国家之不同而异。
- 重量因附件（包括电池组）而异。根据EPTA-Procedure 01/2014，最重与最轻的组合见表。

适用电池组和充电器

电池组	BL4020* / BL4025* / BL4040* / BL4050F *: 建议使用的电池
充电器	DC40RA / DC40RB / DC40RC

- 部分以上所列电池组和充电器是否适用视用户所在地区而异。

⚠警告： 请仅使用以上所列电池组和充电器。使用其他类型的电池组或充电器可能会导致人身伤害和/或失火。

推荐的用电源线连接的电源

便携电源装置	PDC01 / PDC1200
--------	-----------------

- 以上所列的用电源线连接的电源是否适用取决于用户所在地区。
- 在使用用电源线连接的电源之前，请先阅读使用说明和了解相关警示标识。

符号

以下显示本设备可能会使用的符号。在使用工具之前，请务必理解其含义。



阅读使用说明书。



危险 - 手应远离刀片。



佩带安全眼镜。



仅限于欧盟国家

由于本设备中包含有害成分，因此废弃的电气和电子设备、蓄电池和普通电池可能会对环境和人体健康产生负面影响。请勿将电气和电子工具或电池与家庭普通废弃物放在一起处置！

根据欧洲关于废弃电气电子设备、蓄电池和普通电池的指令及其国家层面的修订法案，废弃的电气设备、普通电池和蓄电池应当单独存放并递送至城市垃圾收集点，根据环保法规进行处置。

此规定由标有叉形标志的带垃圾桶符号表示。

用途

本工具用于修剪树篱。

安全警告

电动工具通用安全警告

警告： 阅读随电动工具提供的所有安全警告、说明、图示和规定。不遵照以下所列说明会导致电击、着火和 / 或严重伤害。

保存所有警告和说明书以备查阅。

警告中的术语“电动工具”是指市电驱动（有线）电动工具或电池驱动（无线）电动工具。

工作场地的安全

1. 保持工作场地清洁和明亮。杂乱和黑暗的场地会引发事故。
2. 不要在易爆环境，如有易燃液体、气体或粉尘的环境下操作电动工具。电动工具产生的火花会点燃粉尘或气体。
3. 操作电动工具时，远离儿童和旁观者。注意力不集中会使你失去对工具的控制。

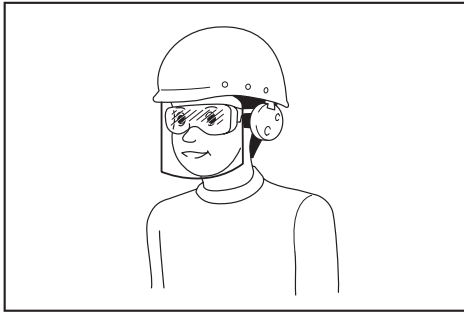
电气安全

1. 电动工具插头必须与插座相配。绝不能以任何方式改装插头。需接地的电动工具不能使用任何转换插头。未经改装的插头和相配的插座将降低电击风险。
2. 避免人体接触接地表面，如管道、散热片和冰箱。如果你身体接触接地表面会增加电击风险。
3. 不得将电动工具暴露在雨中或潮湿环境中。水进入电动工具将增加电击风险。
4. 不得滥用软线。绝不能用软线搬运、拉动电动工具或拔出其插头。使软线远离热源、油、锐边或运动部件。受损或缠绕的软线会增加电击风险。
5. 当在户外使用电动工具时，使用适合户外使用的延长线。适合户外使用的电线将降低电击风险。
6. 如果无法避免在潮湿环境中操作电动工具，应使用带有剩余电流装置（RCD）保护的电源。RCD的使用可降低电击风险。
7. 电动工具会产生对用户无害的电磁场（EMF）。但是，起搏器和其他类似医疗设备的用户应在操作本电动工具前咨询其设备的制造商和 / 或医生寻求建议。

人身安全

1. 保持警觉，当操作电动工具时关注所从事的操作并保持清醒。当你感到疲倦，或在有药物、酒精或治疗反应时，不要操作电动工具。在操作电动工具时瞬间的疏忽会导致严重人身伤害。
2. 使用个人防护装置。始终佩戴护目镜。防护装置，诸如适当条件下使用防尘面具、防滑安全鞋、安全帽、听力防护等装置能减少人身伤害。
3. 防止意外起动。在连接电源和/或电池包、拿起或搬运工具前确保开关处于关断位置。手指放在开关上搬运工具或开关处于接通时通电会导致危险。
4. 在电动工具接通之前，拿掉所有调节钥匙或扳手。遗留在电动工具旋转零件上的扳手或钥匙会导致人身伤害。

5. 手不要过分伸展。时刻注意立足点和身体平衡。这样能在意外情况下能更好地控制住电动工具。
6. 着装适当。不要穿宽松衣服或佩戴饰品。让你的头发和衣服远离运动部件。宽松衣服、佩饰或长发可能会卷入运动部件。
7. 如果提供了与排屑、集尘设备连接用的装置，要确保其连接完好且使用得当。使用集尘装置可降低尘屑引起的危险。
8. 不要因为频繁使用工具而产生的熟悉感而掉以轻心，忽视工具的安全准则。某个粗心的动作可能在瞬间导致严重的伤害。
9. 使用电动工具时请始终佩戴护目镜以免伤害眼睛。护目镜须符合美国ANSI Z87.1、欧洲EN 166或者澳大利亚/新西兰的AS/NZS 1336的规定。在澳大利亚/新西兰，法律要求佩戴面罩保护脸部。
5. 维护电动工具及其附件。检查运动部件是否调整到位或卡住，检查零件破损情况和影响电动工具运行的其他状况。如有损坏，应在使用前修理好电动工具。许多事故是由维护不良的电动工具引发的。
6. 保持切削刀具锋利和清洁。维护良好地有锋利切削刃的刀具不易卡住而且容易控制。
7. 按照使用说明书，并考虑作业条件和要进行的作业来选择电动工具、附件和工具的刀头等。将电动工具用于那些与其用途不符的操作可能会导致危险情况。
8. 保持手柄和握持表面干燥、清洁，不得沾有油脂。在意外的情况下，湿滑的手柄不能保证握持的安全和对工具的控制。
9. 使用本工具时，请勿佩戴可能会缠绕的布质工作手套。布质工作手套卷入移动部件可能会造成人身伤害。



雇主有责任监督工具操作者和其他近工作区域人员佩戴合适的安全防护设备。

电动工具使用和注意事项

1. 不要勉强使用电动工具，根据用途使用合适的电动工具。选用合适的按照额定值设计的电动工具会使你工作更有效、更安全。
2. 如果开关不能接通或关断电源，则不能使用该电动工具。不能通过开关来控制的电动工具是危险的且必须进行修理。
3. 在进行任何调节、更换附件或贮存电动工具之前，必须从电源上拔掉插头和/或卸下电池包（如可拆卸）。这种防护性的安全措施降低了电动工具意外起动的风险。
4. 将闲置不用的电动工具贮存在儿童所及范围之外，并且不允许不熟悉电动工具和不了解这些说明的人操作电动工具。电动工具在未经培训的使用者手中是危险的。

电池式工具使用和注意事项

1. 仅使用生产者规定的充电器充电。将适用于某种电池包的充电器用到其他电池包时可能会发生着火危险。
2. 仅使用配有专用电池包的电动工具。使用其他电池包可能会产生伤害和着火危险。
3. 当电池包不用时，将它远离其他金属物体，例如回形针、硬币、钥匙、钉子、螺钉或其他小金属物体，以防电池包一端与另一端连接。电池组端部短路可能会引起燃烧或着火。
4. 在滥用条件下，液体可能会从电池组中溅出；应避免接触。如果意外碰到液体，用水冲洗。如果液体碰到了眼睛，还应寻求医疗帮助。从电池中溅出的液体可能会发生腐蚀或燃烧。
5. 不要使用损坏或改装过的电池包或工具。损坏或改装过的电池组可能呈现无法预测的结果，导致着火、爆炸或伤害。
6. 不要将电池包暴露于火或高温中。电池包暴露于火或高于130℃的高温中可能导致爆炸。
7. 遵循所有充电说明。不要在说明书中指定的温度范围之外给电池包或电动工具充电。不正确或在指定的温度范围外充电可能会损坏电池和增加着火的风险。

维修

1. 让专业维修人员使用相同的备件维修电动工具。这将保证所维修的电动工具的安全。
2. 决不能维修损坏的电池包。电池包仅能由生产者或其授权的维修服务商进行维修。

3. 上润滑油及更换附件时请遵循本说明书指示。

充电式绿篱机使用安全警告

1. 使身体各部位与刀片保持一定距离。当刀片正在移动时，请勿移开切割材料或按住要切割的材料。关闭开关后刀片仍会继续旋转。在操作绿篱机期间，分心可能会导致严重的人身伤害。
2. 在刀片停止后握住把手搬运绿篱机，同时注意避免操作任何电源开关。正确搬运绿篱机可降低因机器意外启动以及由刀片造成人身伤害的风险。
3. 运输或存储绿篱机时，请务必盖上刀片罩。正确操作绿篱机可降低由刀片造成人身伤害的风险。
4. 在清除卡住的材料或维修机器前，请务必关闭所有电源开关，同时将电池组取出或断开其连接。在清除卡住的材料或维修机器时，绿篱机意外启动可能会造成严重的人身伤害。
5. 因为刀片可能会接触到隐藏的电线，操作绿篱机时仅可抓握绝缘把手。刀片接触到“带电”的电线时，绿篱机上曝露的金属部分可能也会“带电”，并使操作者触电。
6. 确保所有电源线和电缆远离切割区域。电源线或电缆可能会隐藏在绿篱和灌木中，因此操作时有可能被刀片意外割断。
7. 请勿在恶劣天气尤其是雷电天气条件下使用绿篱机。这可降低雷击风险。

附加安全说明

准备

1. 操作工具前，检查绿篱和灌木是否有铁丝网或隐藏电线等异物。
2. 儿童或不满18岁的少年不得使用本工具。超过16岁的少年如果在专业人士的监督下接受过培训，则不受该限制。
3. 用户首次使用时，应委托有经验的用户为其展示如何使用本工具。
4. 请仅在身体状态良好的情况下使用本工具。疲惫会导致使用者注意力下降。在一天的工作快结束时应特别注意这一点。应镇定、谨慎地完成所有工作。给第三方造成的所有损失由用户负责。
5. 在酒精、药物或接受治疗的情况下，切勿使用本工具。

6. 结实的皮革工作手套是本工具的基本装备之一，在操作本工具时必须始终佩戴。同时应穿戴具有防滑底的结实靴。
7. 开始工作之前，请检查确认本工具处于良好并且安全的工作状态。确保保护罩安装到位。在完全安装到位前不得使用本工具。

操作

1. 使用工具时，请双手将其握牢。
2. 本工具仅供操作人员在地面上使用。请勿在梯子或其他不稳定支撑物上使用本工具。
3. 危险：手应远离刀片。接触刀片将会造成严重的人身伤害。
4. 开始操作前请确保立足稳固。
5. 如无必要，请勿在空载状态下操作工具。
6. 如果刀片接触到围栏或其他硬物，请立即关闭工具并取下电池组。检查刀片是否受损，如果受损请立即更换刀片。
7. 检查刀片、处理故障或取出卡在刀片上的材料之前，请务必关闭本工具并取下电池组。
8. 切勿将刀片对准自身或其他人员。
9. 倘若在操作时因刀片之间卡入异物导致刀片停止运转，应关闭工具并取下电池组，然后使用钳子等工具清除异物。用手清除异物可能会造成人身伤害，因在清除异物时刀片可能会移动。
10. 在泥泞地面、潮湿坡道或湿滑的地方使用工具时，请注意立足稳固。
11. 请勿将工具浸入水坑中。
12. 请勿在雨天将工具置于室外无人看管。

电气和电池安全

1. 避免危险的环境。请勿在潮湿或淋雨的环境下使用工具。工具受潮将增加触电的危险。
2. 请勿将电池弃于火中。否则会引起电池爆炸。请查阅当地法规了解适当的特殊处理说明。
3. 请勿打开或拆解电池。溢出的电解质具有腐蚀性，可能会对眼睛或皮肤造成损伤。吞服则有致毒危险。
4. 请勿在雨中或潮湿的地方充电。
5. 勿在室外对电池充电。
6. 请勿用湿手操作充电器，包括充电器插头和充电器端子。
7. 请勿用湿手更换电池。
8. 请勿在雨中更换电池。

9. 请勿用水等液体打湿电池端子，或将电池浸于水中。请勿使电池淋雨，也不得在潮湿位置给电池充电、使用或存放电池。如果电池端子被打湿或有液体进入电池，则电池可能会短路，导致过热、起火或爆炸危险。
10. 从工具或充电器取下电池后，请务必在电池上安装电池盖并将其存放在干燥处。
11. 如果电池组被打湿，请排空其中的水分，再用干布擦拭干净。使用前在干燥处彻底干燥电池组。
3. 如果机器运行时间变得过短，请立即停止使用。否则可能会导致过热、起火甚至爆炸。
4. 如果电解液进入您的眼睛，用清水将其冲洗干净并立即就医。否则可能会导致视力受损。
5. 请勿使电池组短路：
 - (1) 请勿使任何导电材料碰到端子。
 - (2) 避免将电池组与其他金属物品如钉子、硬币等放置在同一容器内。
 - (3) 请勿将电池组置于水中或使其淋雨。电池短路将产生大的电流，导致过热，并可能导致起火甚至击穿。

保养和存放

1. 进行保养工作之前请关闭本工具并取下电池组。
2. 将本工具移至另一个位置时（包括工作期间），请务必取下电池组并为刀片盖上刀片罩。切勿在刀片运转的情况下移动或搬运本工具。切勿用手去抓刀片。
3. 使用之后以及要长期储存本工具之前，请清洁本工具（特别是刀片）。在刀片上抹少量的油，然后盖上刀片罩。
4. 存放工具时，将刀片罩盖上，然后存放在干燥的房间内。将其存放在儿童无法触及的地方。切勿将工具存放于室外。
5. 请勿将电池弃于火中。否则会引起电池爆炸。请查阅当地法规了解适当的特殊处理说明。
6. 请勿打开或拆解电池。溢出的电解质具有腐蚀性，可能会对眼睛或皮肤造成伤害。吞服则有致毒危险。
7. 请勿在雨中或潮湿的地方充电。
8. 存放工具时，避免直射阳光和淋雨，将其存放在不会变热或变潮的位置。
6. 请勿在温度可能达到或超过50°C (122°F) 的场所存放以及使用工具和电池组。
7. 即使电池组已经严重损坏或完全磨损，也请勿焚烧电池组。电池组会在火中爆炸。
8. 请勿对电池组射钉，或者切削、挤压、抛掷、掉落电池组，又或者用硬物撞击电池组。否则可能引起火灾、过热或爆炸。
9. 请勿使用损坏的电池。
10. 本工具附带的锂离子电池需符合危险品法规要求。
第三方或转运代理等进行商业运输时，应遵循包装和标识方面的特殊要求。有关运输项目的准备作业，咨询危险品方面的专业人士。同时，请遵守可能更为详尽的国家法规。
请使用胶带保护且勿遮掩表面的联络信息，并牢固封装电池，使电池在包装内不可动。

请保留此说明书。

警告： 请勿为图方便或因对产品足够熟悉（由于重复使用而获得的经验）而不严格遵循相关产品安全规则。使用不当或不遵循使用说明书中的安全规则会导致严重的人身伤害。

电池组的重要安全注意事项

1. 在使用电池组之前，请仔细阅读所有的说明以及 (1) 电池充电器，(2) 电池，以及 (3) 使用电池的产品的警告标记。
2. 切勿拆卸或改装电池组。否则可能引起火灾、过热或爆炸。
11. 丢弃电池组时，需将其从工具上卸下并在安全地带进行处理。关于如何处理废弃的电池，请遵循当地法规。
12. 仅将电池用于Makita（牧田）指定的产品。将电池安装至不兼容的产品会导致起火、过热、爆炸或电解液泄漏。
13. 如长时间未使用工具，必须将电池从工具内取出。
14. 使用工具期间以及使用工具之后，电池组温度可能较高易引起灼伤或低温烫伤。处理高温电池组时请小心操作。
15. 在使用工具后请勿立即触碰工具的端子，否则可能引起灼伤。
16. 避免锯屑、灰尘或泥土卡入电池组的端子、孔口和凹槽内。否则可能会导致过热、着火、爆炸和工具/电池组故障，导致烫伤或人身伤害。

- 除非工具支持在高压电源线路附近使用，否则请勿在高压电源线路附近使用电池组。否则可能导致工具或电池组故障或失常。
 - 确保电池远离儿童。
- 请保留此说明书。**

⚠️小心： 请仅使用Makita（牧田）原装电池。使用非Makita（牧田）原装电池或经过改装的电池可能会导致电池爆炸，从而造成火灾、人身伤害或物品受损。同时也会导致牧田工具和充电器的牧田保修服务失效。

保持电池最大使用寿命的提示

- 在电池组电量完全耗尽前及时充电。发现工具电量低时，请停止工具操作，并给电池组充电。
- 请勿对已充满电的电池组重新充电。过度充电将缩短电池的使用寿命。
- 请在10 °C - 40 °C (50 °F - 104 °F) 的室温条件下给电池组充电。请在灼热的电池组冷却后再充电。
- 不使用电池组时，请将其从工具或充电器上拆除。
- 如果电池组长时间（超过六个月）未使用，请给其充电。

功能描述

⚠️小心： 调节或检查工具功能之前，请务必关闭工具的电源并取出电池组。

安装或拆卸电池组

⚠️小心： 安装或拆卸电池组之前，请务必关闭工具电源。

⚠️小心： 安装或拆卸电池组时请握紧工具和电池组。否则它们可能从您的手中滑落，导致工具和电池组受损，甚至造成人身伤害。

► **图片1：** 1. 红色指示器 2. 按钮 3. 电池组

拆卸电池组时，按下电池组前侧的按钮，同时将电池组从工具中抽出。

安装电池组时，要将电池组上的舌簧与外罩上的凹槽对齐，然后推滑到位。将其完全插入到位，直到锁定并发出咔哒声为止。若能看到图示中的红色指示器，则说明未完全锁紧。

⚠️小心： 务必完全装入电池组，直至看不见红色指示器为止。否则，它可能会从工具中意外脱落，从而造成自身或他人受伤。

⚠️小心： 请勿强行安装电池组。如果电池组难以插入，可能是插入方法不当。

显示电池的剩余电量

按电池组上的CHECK（查看）按钮可显示电池剩余电量。指示灯将亮起数秒。

► **图片2：** 1. 指示灯 2. CHECK（查看）按钮

指示灯			剩余电量
■ 点亮	□ 熄灭	▧ 闪烁	
■ ■ ■ ■			75%至100%
■ ■ ■ □			50%至75%
■ ■ □ □			25%至50%
■ □ □ □			0%至25%
▧ □ □ □			给电池充电。
■ ■ □ □	↑ ↓	□ □ ■ ■	电池可能出现故障。

注： 在不同的使用条件及环境温度下，指示灯所示电量可能与实际情况略有不同。

注： 当电池保护系统启动时，第一个（最左侧）指示灯将闪烁。

工具 / 电池保护系统

本工具配备有工具 / 电池保护系统。该系统可自动切断电机电源以延长工具和电池寿命。作业时, 如果工具处于以下情况, 工具将会自动停止运转:

► **图片3: 1. 注意指示灯**

注意指示灯		状态
颜色	● 亮起 ● 闪烁	
绿色	●	过载
红色	● (工具) / ● (电池)	过热
红色	●	过度放电

注意: 根据使用情况, 如果树枝或碎片缠结在工具中, 工具会自动停止而无任何指示。在这种情况下, 应关闭工具并取下电池组, 然后使用虎钳等工具清除缠结的树枝或碎片。清除树枝或碎片后, 安装电池组并再次打开工具。

过载保护

如果工具或电池由于缠结的树枝或其他碎片而过载, 工具会自动停止运转且注意指示灯开始呈绿色闪烁。

在这种情况下, 请关闭工具并停止导致工具过载的应用操作。然后开启工具重新启动。

工具或电池过热保护

若工具或电池组过热, 工具会自动停止运转。当工具过热时, 注意指示灯呈红色亮起。当电池组过热时, 注意指示灯呈红色闪烁。请等待工具和 / 或电池冷却后再重新开启工具。

过放电保护

电池组电量不足时, 工具会自动停止运转并且注意指示灯将呈红色闪烁。

如果开启开关仍不能使工具运转, 请从工具上取出电池组并予以充电。

其他原因防护

保护系统还适用于其他可能导致工具受损的情况, 从而使工具自动停止运转。工具暂时或中途停止工作时, 执行以下所有步骤以排除异常原因。

1. 关闭工具, 然后再次重新启动。
2. 给电池充电或更换为充电电池。
3. 请等待机器和电池冷却。

如果保护系统恢复后仍无改善, 请联络当地的 Makita (牧田) 维修服务中心。

电源开关的操作

警告: 为了您的安全, 本工具配备了操作杆, 可防止工具误启动。当您只扣动开关扳机而没有按下操作杆的情况下, 工具即开始运行时, 则切勿使用此工具。在进一步使用该工具之前, 请将其送至授权的维修中心进行正确的修理。

警告: 切勿封住操作杆或废除其用途和功能。

警告: 在将电池组装入工具之前, 请务必检查开关扳机和操作杆是否能扣动自如, 松开时能否退回至“关闭”位置。若工具上的开关无法正常工作, 将可能导致工具失控, 并造成严重的人身伤害。

小心: 搬运时, 请勿将手指放在开关扳机上。因为工具可能会意外启动并且导致人身伤害。

注意: 在没有按下操作杆的情况下, 请勿用力扣动开关扳机。这样可能会导致开关破损。

按下主电源按钮以开启工具。若要关闭工具, 请按住主电源按钮直至速度指示灯熄灭。

► **图片4: 1. 主电源按钮**

注: 如果在不可操作的条件下扣动开关扳机, 注意指示灯会闪烁。如果按下操作杆和开关扳机时打开主电源开关, 注意指示灯会闪烁。

注: 本工具采用自动关机功能。为避免意外启动, 在打开主电源开关后的一段时间内未扣动开关扳机时, 主电源开关将自动关闭。

为避免使用者不小心扣动开关扳机, 本工具配备了操作杆。要启动工具, 请先松开前开关扳机, 然后在按住操作杆的同时再扣动后开关扳机即可。当释放其中任意一个开关扳机时, 工具即停止。

► **图片5: 1. 操作杆 2. 后开关扳机 3. 前开关扳机**

速度调节

可通过按下主电源按钮调节工具速度。每次按下主电源按钮时，速度会随之改变。

► **图片6:** 1. 速度指示灯 2. 主电源按钮

速度指示灯	模式	行程速度
	高	5,000 r/min
	中	3,600 r/min
	低	2,000 r/min

用于清除碎片的反转按钮

警告: 如果使用反转功能无法清除缠绕的树枝或碎片，请关闭工具并取下电池组，然后使用虎钳等工具清除缠绕的树枝或碎片。未关闭工具并取出电池组可能会产生意外启动，导致严重的人身伤害。由于刀片可能会在进行清理时移动，用手清除缠绕的树枝或碎片可能会导致受伤。

本工具设有反转按钮，可改变刀片移动方向。仅可用于清除工具中缠绕的树枝和碎片。

要反向移动刀片，请在刀片停止时按下反转按钮、扣动前开关扳机，然后在按下推杆的同时扣动后开关扳机。速度指示灯开始闪烁，刀片朝反向移动。

清理掉缠绕的树枝和碎片时，工具返回到正常移动状态，速度指示灯停止闪烁并亮起。

► **图片7:** 1. 速度指示灯 2. 反转按钮

注: 如果无法清除缠绕的树枝或碎片，请松开开关扳机，然后按下反转按钮，再扣动开关扳机直至其被清除为止。

注: 如果刀片仍在运转时按下反转按钮，工具会停止并准备反向运转。

电子功能

本工具配备了电子功能以提高操作便利性。

- **恒速控制**
速度控制功能可保持转速恒定，而无论负载如何。
- **电动制动器**
本工具配备有电动制动器。如果在松开开关扳机后，工具总是不能快速停止刀片，则须交由Makita（牧田）授权的维修服务中心维修。
- **防止意外重启功能**
即使在安装电池组的情况下扣动开关扳机，也无法启动工具。若要启动工具，请先松开开关扳机，然后再扣动开关扳机。

装配

小心: 对工具进行任何装配操作前，请务必关闭工具电源，并取出电池组。

小心: 更换刀片时，请务必佩戴手套，以免手部直接接触刀片。

注意: 更换刀片时，请勿擦掉齿轮和曲柄上的油脂。

安装或拆卸刀片

小心: 拆卸或安装刀片之前，请安装刀片罩。

您可以在工具上安装600mm或750mm刀片。

注: 若要改变刀片长度，请更换一个与当前刀片匹配的碎屑接收器。

1. 拆下四颗螺丝（用于UH013G型号）或五颗螺丝（用于UH014G型号），然后从工具上卸下碎屑接收器。

UH013G型号

► **图片8:** 1. 碎屑接收器 2. 螺丝

UH014G型号

► **图片9:** 1. 碎屑接收器 2. 螺丝

2. 颠倒放置工具，然后拆下6颗螺栓。

► **图片10:** 1. 螺栓

3. 拆下护罩和护板。

► **图片11:** 1. 护罩 2. 护板

注: 护板可能会保留在盖板中。

4. 拆下杆和轴承。

► 图片12: 1. 杆 2. 轴承

注意: 杆或轴承可能会保留在护罩中。

5. 拆下3颗螺丝、3个套筒和毛毡垫, 然后拆下刀片。

► 图片13: 1. 螺丝 2. 套筒 3. 毛毡垫 4. 刀片

注意: 小心避免丢失螺丝。

6. 拆下刀片罩, 然后将其安装到新的刀片上。

► 图片14

7. 调整曲柄, 使2个孔在对齐线上。

► 图片15: 1. 孔 2. 对齐线

8. 在相同的位置竖直对齐刀片上的凸起部分。

► 图片16: 1. 凸起部分

9. 将步骤5中卸下的螺丝插入刀片罩和刀片上的孔中, 以暂时固定刀片, 然后将毛毡垫固定到刀片上。

► 图片17: 1. 螺丝 2. 毛毡垫 3. 孔

10. 将刀片上的凸起部分插入杆上的孔中, 然后将毛毡垫的位置和工具上的孔对齐。添加两个新套筒。

► 图片18: 1. 毛毡垫 2. 凸起部分 3. 孔 4. 套筒

注意: 在杆上孔的内部涂抹少量润滑油。

注意: 小心避免丢失套筒。

11. 将套筒和刀片上的孔与工具上的孔对齐, 然后拧紧两颗螺丝以暂时固定刀片。

► 图片19: 1. 螺丝

12. 卸下在步骤9中插入刀片孔中的螺丝, 然后滑动刀片罩。

► 图片20: 1. 螺丝

13. 安装新套筒。

► 图片21: 1. 套筒

14. 将螺丝连同套筒一起拧紧使刀片固定。

► 图片22: 1. 螺丝

15. 将第11步中临时固定的螺丝拧紧。

16. 安装轴承和杆。

► 图片23: 1. 杆 2. 小孔 3. 轴承

注意: 在杆上小孔的内部涂抹少量润滑油。

注意: 确保刀片上的凸起部分扣入杆上的小孔中。

17. 安装护板。

► 图片24: 1. 凸起部分 2. 护板

注意: 确保刀片上的凸起部分扣入护板上的孔中。

18. 安装护罩, 然后拧紧6个螺栓。

► 图片25: 1. 螺栓 2. 护罩

19. 拧紧四颗螺丝(用于UH013G型号)或五颗螺丝(用于UH014G型号), 以将碎屑接收器安装到工具上。

UH013G型号

► 图片26: 1. 碎屑接收器 2. 螺丝

UH014G型号

► 图片27: 1. 碎屑接收器 2. 螺丝

注意: 如果刀片移动不顺畅, 则刀片没有与杆正确啮合。请再次安装刀片。

注意: 如果杆等非刀片部件磨损, 请联络牧田授权维修服务中心更换部件或维修。

拆卸或安装碎屑接收器

⚠小心: 安装或拆卸碎屑接收器时, 请务必佩戴手套, 以免手部直接接触刀片。

碎屑接收器收集丢弃的叶子, 方便后续清扫。拆卸碎屑接收器时, 拆下四颗螺丝(用于UH013G型号)或五颗螺丝(用于UH014G型号), 然后从工具上卸下碎屑接收器。安装碎屑接收器时, 按与拆卸时相反的步骤进行。

UH013G型号

► 图片28: 1. 碎屑接收器 2. 螺丝

UH014G型号

► 图片29: 1. 碎屑接收器 2. 螺丝

操作

警告： 手应远离刀片。

小心： 尽可能避免在酷热天气下操作工具。操作工具时，请注意您的身体状态。

小心： 修剪时请小心不要意外接触金属围栏或其他硬物。否则刀片可能会断裂并造成人身伤害。

小心： 注意不要使刀片接触地面。否则工具可能会回弹并导致人身伤害。

小心： 拿着绿篱机够着去修剪难以触及的物体（特别是在梯子上的时候）会相当危险。请勿站在摇晃或不稳的物体上工作。

注意： 请勿用工具剪切直径超过10 mm的树枝。使用树枝剪将枝干修剪至低于切割高度10 cm后，再使用本工具。

► 图片30: (1) 切割高度 (2) 10 cm

注意： 请勿砍倒死树或类似的硬物。这样做可能会损坏工具。

注意： 使用刀片时请勿修剪草。否则刀片会缠结在草中。

用右手握住前把手，用左手握住后把手。扣动前开关扳机，然后在按下操作杆的同时扣动后开关扳机，再向前移动工具。

► 图片31

对于基本操作，将刀片倾斜至修剪方向，然后稳定、缓慢地以3至4秒每米的速度移动工具。

► 图片32

要均匀剪切绿篱上部，可在所需高度系上绳子，然后沿绳子剪切。

► 图片33

碎屑接收器收集丢弃的叶子，方便后续清扫。

► 图片34

要均匀剪切绿篱侧面时，可从底部朝上剪切。

► 图片35

修剪成圆形时（修剪黄杨或杜鹃花等），可从根部朝上修剪，作为完美的收梢。

► 图片36

保养

小心： 检查或保养工具之前，请务必关闭工具电源并取出电池组。

为了保证产品的安全与可靠性，维修、任何其他维修保养或调节需由Makita（牧田）授权的或工厂维修服务中心完成。务必使用Makita（牧田）的替换部件。

清洁工具

用干布或浸有肥皂水的布清洁工具并拧干。

注意： 切勿使用汽油、苯、稀释剂、酒精或类似物品清洁工具。否则可能会导致工具变色、变形或出现裂缝。

刀片保养

操作前或操作中每隔一小时，在刀片上涂抹低粘度油（例如机油或喷淋式润滑油）。

► 图片37

操作后，请用钢丝刷清除刀片上的灰尘，用抹布进行擦拭，然后涂抹低粘度油（机油或喷淋式润滑油）。

► 图片38

注意： 请勿在水中清洗刀片。否则可能会导致工具生锈或受损。

注意： 污垢和腐蚀可导致过度的刀片摩擦，并缩短每次电池充电后的操作时间。

存放

工具底部的钩孔便于将工具挂在墙壁的钉子或螺丝上。

拆卸工具上的电池组，然后将刀片罩安装在刀片上，以免刀片暴露在外。将工具存放在儿童无法触及的地方。将工具存放于不会暴露在湿气或雨水的地方。

► 图片39: 1. 孔

打磨刀片

注意： 如果刀片因打磨而严重变形，请更换新的刀片。

1. 安装电池组到工具。
2. 打开并启动工具，使上部刀片和下部刀片交替换位。
► 图片40
3. 关闭工具并从工具取下电池组。

4. 45°握持锉刀，使用锉刀从3个方向打磨上部刀片。

▶ **图片41: (1) 锉刀 (2) 45°**

⚠小心: 在打磨刀片之前，请务必关闭工具电源并从工具取出电池组。

5. 颠倒放置工具，然后使用磨刀石除去刀片上的毛刺。

▶ **图片42: 1. 磨刀石**

6. 45°握持锉刀，使用锉刀从3个方向打磨下部刀片。

7. 将工具恢复到正常位置，然后使用磨刀石除去刀片上的毛刺。

润滑脂润滑

润滑间隔：每隔50个工作时

1. 从螺栓孔中拆下螺栓进行润滑。

▶ **图片43: 1. 螺栓**

2. 从润滑脂管上取下盖子。将润滑脂管出口与护罩上的孔对齐，然后将润滑脂管出口按压在孔上。

▶ **图片44: 1. 润滑脂管 2. 孔**

3. 将润滑脂涂抹到工具上（一般约5 g）。

4. 拧紧螺栓。

故障排除

请求维修前，请首先自行检查。如果您发现本手册中未作说明的问题，请勿拆解工具。而请联络Makita（牧田）授权维修服务中心，务必使用Makita（牧田）的替换部件进行修复。

异常状态	可能原因（故障）	纠正措施
电机不旋转。	未安装电池组。	安装电池组。
	电池故障（欠压）	请给电池充电。如果充电无效，则更换电池。
	驱动系统未正常工作。	请当地授权的维修服务中心进行维修。
使用一段时间后电机不旋转。	电池电量低。	请给电池充电。如果充电无效，则更换电池。
	过热。	停止使用工具使之冷却。
工具未达到最大转速。	电池安装不当。	按本手册所述安装电池组。
	电池电力下降。	请给电池充电。如果充电无效，则更换电池。
	驱动系统未正常工作。	请当地授权的维修服务中心进行维修。
刀片无法移动： ⇒ 立即停止机器！	刀片之间卡入异物。	1.使用反转按钮。 2.关闭工具并取下电池组，然后使用虎钳等工具清除异物。
	驱动系统未正常工作。	请当地授权的维修服务中心进行维修。
异常振动： ⇒ 立即停止机器！	刀片断裂、弯曲或磨损。	更换刀片。
	驱动系统未正常工作。	请当地授权的维修服务中心进行维修。
刀片和电机无法停止： ⇒ 立即卸下电池！	电子元件故障。	拆下电池并请当地授权的维修服务中心进行修复。

选购附件

⚠小心： 这些附件或装置专用于本说明书所列的**Makita（牧田）**工具。如使用其他厂牌附件或装置，可能导致人身伤害。仅可将附件或装置用于规定目的。

如您需要了解更多关于这些选购附件的信息，请咨询当地的**Makita（牧田）**维修服务中心。

- 刀片组件
- 碎屑接收器
- 润滑脂管
- **Makita（牧田）**原装电池和充电器

注： 本列表中的一些部件可能作为标准配件包含于工具包装内。它们可能因销往国家之不同而异。

SPEKIFIKASI

Model:	UH013G	UH014G
Panjang mata pisau	600 mm	750 mm
Langkah per menit	2.000 / 3.600 / 5.000 min ⁻¹	
Panjang keseluruhan	1.085 mm	1.225 mm
Tegangan terukur	D.C. 36 V - 40 V maks	
Berat bersih	3,9 - 4,5 kg	4,0 - 4,7 kg
Derajat perlindungan	IPX4	

- Karena kesinambungan program penelitian dan pengembangan kami, spesifikasi yang disebutkan di sini dapat berubah tanpa pemberitahuan.
- Spesifikasi dapat berbeda dari satu negara ke negara lainnya.
- Berat alat mungkin berbeda tergantung perangkat tambahan yang dipasang, termasuk kartrid baterai. Kombinasi alat terberat dan teringan, sesuai Prosedur EPTA 01/2014, ditunjukkan pada tabel.

Kartrid dan pengisi daya baterai yang dapat digunakan

Kartrid baterai	BL4020* / BL4025* / BL4040* / BL4050F * : Baterai yang direkomendasikan
Pengisi daya	DC40RA / DC40RB / DC40RC

- Beberapa kartrid baterai dan pengisi daya yang tercantum di atas mungkin tidak tersedia, tergantung wilayah tempat tinggal Anda.

⚠️ PERINGATAN: Hanya gunakan kartrid dan pengisi daya baterai yang tercantum di atas. Penggunaan kartrid dan pengisi daya baterai lain dapat menimbulkan risiko cedera dan/atau kebakaran.

Sumber daya terhubung kabel yang direkomendasikan

Paket daya portabel	PDC01 / PDC1200
---------------------	-----------------

- Sumber daya terhubung kabel yang tercantum di atas mungkin tidak tersedia, bergantung pada wilayah tempat tinggal Anda.
- Sebelum menggunakan sumber daya terhubung kabel, baca petunjuk dan perhatian yang ditandai padanya.

Simbol

Berikut ini adalah simbol-simbol yang dapat digunakan pada peralatan ini. Pastikan Anda memahami arti masing-masing simbol sebelum menggunakan peralatan.



Baca petunjuk penggunaan.



BAHAYA - Jauhkan tangan dari mata pisau.



Gunakan kaca mata pengaman.



Ni-MH
Li-ion

Hanya untuk negara-negara UE
Akibat adanya komponen berbahaya dalam peralatan, limbah peralatan listrik dan elektronik, aki dan baterai dapat memiliki dampak negatif pada lingkungan dan kesehatan manusia.
Jangan buang peralatan listrik dan elektronik atau baterai bersama limbah rumah tangga!
Sesuai dengan Petunjuk Eropa tentang limbah peralatan listrik dan elektronik dan tentang aki dan baterai serta limbah aki dan baterai, serta penyesuaiannya terhadap undang-undang nasional, limbah peralatan listrik, baterai dan aki harus disimpan secara terpisah dan dikirim ke tempat pengumpulan terpisah untuk sampah kota, beroperasi sesuai dengan peraturan tentang perlindungan lingkungan.
Hal ini ditunjukkan dengan simbol tempat sampah bersilang yang ditempatkan pada peralatan.

Penggunaan

Mesin ini digunakan untuk memotong tanaman pagar.

PERINGATAN KESELAMATAN

Peringatan keselamatan umum mesin listrik

⚠️ PERINGATAN: Bacalah semua peringatan keselamatan, petunjuk, ilustrasi dan spesifikasi yang disertakan bersama mesin listrik ini. Kelalaian untuk mematuhi semua petunjuk yang tercantum di bawah ini dapat menyebabkan sengatan listrik, kebakaran dan/atau cedera serius.

Simpanlah semua peringatan dan petunjuk untuk acuan di masa depan.

Istilah "mesin listrik" dalam semua peringatan mengacu pada mesin listrik yang dijalankan dengan sumber listrik jala-jala (berkabel) atau baterai (tanpa kabel).

Keselamatan tempat kerja

1. **Jaga tempat kerja selalu bersih dan berpenerangan cukup.** Tempat kerja yang berantakan dan gelap mengundang kecelakaan.
2. **Jangan gunakan mesin listrik dalam lingkungan yang mudah meledak, misalnya jika ada cairan, gas, atau debu yang mudah menyala.** Mesin listrik menimbulkan bunga api yang dapat menyalakan debu atau uap tersebut.
3. **Jauhkan anak-anak dan orang lain saat menggunakan mesin listrik.** Bila perhatian terpecah, anda dapat kehilangan kendali.

Keamanan Kelistrikan

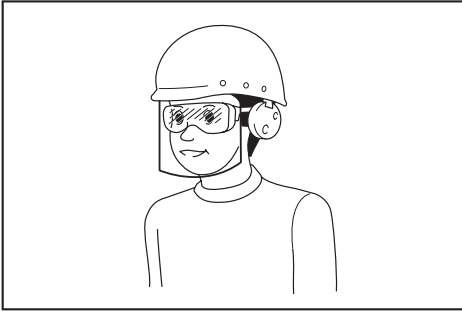
1. **Steker mesin listrik harus cocok dengan stopkontak. Jangan sekali-kali mengubah steker dengan cara apa pun. Jangan menggunakan steker adaptor dengan mesin listrik terbumi (dibumikan).** Steker yang tidak diubah dan stopkontak yang cocok akan mengurangi risiko sengatan listrik.
2. **Hindari sentuhan tubuh dengan permukaan terbumi atau yang dibumikan seperti pipa, radiator, kompor, dan kulkas.** Risiko sengatan listrik bertambah jika tubuh Anda terbumikan atau dibumikan.
3. **Jangan membiarkan mesin listrik kehujanan atau kebasahan.** Air yang masuk ke dalam mesin listrik akan meningkatkan risiko sengatan listrik.
4. **Jangan menyalahgunakan kabel. Jangan sekali-kali menggunakan kabel untuk membawa, menarik, atau mencabut mesin listrik dari stopkontak. Jauhkan kabel dari panas, minyak, tepian tajam, atau bagian yang bergerak.** Kabel yang rusak atau kusut memperbesar risiko sengatan listrik.
5. **Bila menggunakan mesin listrik di luar ruangan, gunakan kabel ekstensi yang sesuai untuk penggunaan di luar ruangan.** Penggunaan kabel yang sesuai untuk penggunaan luar ruangan mengurangi risiko sengatan listrik.

6. **Jika mengoperasikan mesin listrik di lokasi lembap tidak terhindarkan, gunakan pasokan daya yang dilindungi peranti imbasan arus (residual current device - RCD).** Penggunaan RCD mengurangi risiko sengatan listrik.
7. **Mesin listrik dapat menghasilkan medan magnet (EMF) yang tidak berbahaya bagi pengguna.** Namun, pengguna alat pacu jantung atau peralatan medis sejenisnya harus berkonsultasi dengan produsen peralatan tersebut dan/atau dokter mereka sebelum mengoperasikan mesin listrik ini.

Keselamatan Diri

1. **Jaga kewaspadaan, perhatikan pekerjaan Anda dan gunakan akal sehat bila menggunakan mesin listrik. Jangan menggunakan mesin listrik saat Anda lelah atau di bawah pengaruh obat bius, alkohol, atau obat.** Sekejap saja lalai saat menggunakan mesin listrik dapat menyebabkan cedera badan serius.
2. **Gunakan alat pelindung diri. Selalu gunakan pelindung mata.** Peralatan pelindung seperti masker debu, sepatu pengaman anti-selip, helm pengaman, atau pelindung telinga yang digunakan untuk kondisi yang sesuai akan mengurangi risiko cedera badan.
3. **Cegah penyalaaan yang tidak disengaja. Pastikan bahwa sakelar berada dalam posisi mati (off) sebelum menghubungkan mesin ke sumber daya dan/atau paket baterai, atau mengangkat atau membawanya.** Membawa mesin listrik dengan jari Anda pada sakelarnya atau mengalirkan listrik pada mesin listrik yang sakelarnya hidup (on) akan mengundang kecelakaan.
4. **Lepaskan kunci-kunci penyetel sebelum menghidupkan mesin listrik.** Kunci-kunci yang masih terpasang pada bagian mesin listrik yang berputar dapat menyebabkan cedera.
5. **Jangan meraih terlalu jauh. Jagalah pijakan dan keseimbangan sepanjang waktu.** Hal ini memungkinkn kendali yang lebih baik atas mesin listrik dalam situasi yang tidak diharapkan.
6. **Kenakan pakaian yang memadai. Jangan memakai pakaian yang longgar atau perhiasan. Jaga jarak antara rambut dan pakaian Anda dengan komponen mesin yang bergerak.** Pakaian yang longgar, perhiasan, atau rambut yang panjang dapat tersangkut pada komponen yang bergerak.
7. **Jika tersedia fasilitas untuk menghisap dan mengumpulkan debu, pastikan fasilitas tersebut terhubung listrik dan digunakan dengan baik.** Penggunaan pembersih debu dapat mengurangi bahaya yang terkait dengan debu.
8. **Jangan sampai Anda lelah dan mengabaikan prinsip keselamatan mesin ini hanya karena sudah sering mengoperasikannya dan sudah merasa terbiasa.** Tindakan yang lalai dapat menyebabkan cedera berat dalam sepersekian detik saja.

9. **Selalu kenakan kacamata pelindung untuk melindungi mata dari cedera saat menggunakan mesin listrik. Kacamata harus sesuai dengan ANSI Z87.1 di Amerika Serikat, EN 166 di Eropa, atau AS/NZS 1336 di Australia/Selandia Baru. Di Australia/Selandia Baru, secara hukum Anda juga diwajibkan mengenakan pelindung wajah untuk melindungi wajah Anda.**



Menjadi tanggung jawab atas untuk menerapkan penggunaan alat pelindung keselamatan yang tepat bagi operator mesin dan orang lain yang berada di area kerja saat itu.

Penggunaan dan pemeliharaan mesin listrik

- 1. Jangan memaksa mesin listrik. Gunakan mesin listrik yang tepat untuk keperluan Anda.** Mesin listrik yang tepat akan menuntaskan pekerjaan dengan lebih baik dan aman pada kecepatan sesuai rancangannya.
- 2. Jangan gunakan mesin listrik jika sakelar tidak dapat menyala dan memastikannya.** Mesin listrik yang tidak dapat dikendalikan dengan sakelarnya adalah berbahaya dan harus diperbaiki.
- 3. Cabut steker dari sumber listrik dan/atau lepas paket baterai, jika dapat dilepas, dari mesin listrik sebelum melakukan penyetelan apa pun, mengganti aksesoris, atau menyimpan mesin listrik.** Langkah keselamatan preventif tersebut mengurangi risiko hidupnya mesin secara tak sengaja.
- 4. Simpan mesin listrik jauh dari jangkauan anak-anak dan jangan biarkan orang yang tidak paham mengenai mesin listrik tersebut atau petunjuk ini menggunakan mesin listrik.** Mesin listrik sangat berbahaya di tangan pengguna yang tak terlatih.
- 5. Rawatlah mesin listrik dan aksesoris. Periksa apakah ada komponen bergerak yang tidak lurus atau macet, komponen yang pecah, dan kondisi-kondisi lain yang dapat memengaruhi pengoperasian mesin listrik. Jika rusak, perbaiki mesin listrik terlebih dahulu sebelum digunakan.** Banyak kecelakaan disebabkan oleh kurangnya pemeliharaan mesin listrik.
- 6. Jaga agar mesin pemotong tetap tajam dan bersih.** Mesin pemotong yang terawat baik dengan mata pemotong yang tajam tidak mudah macet dan lebih mudah dikendalikan.
- 7. Gunakan mesin listrik, aksesoris, dan mata mesin, dll. sesuai dengan petunjuk ini, dengan memperhitungkan kondisi kerja dan jenis pekerjaan yang dilakukan.** Penggunaan mesin listrik untuk penggunaan yang lain dari peruntukan dapat menimbulkan situasi berbahaya.
- 8. Jagalah agar gagang dan permukaan pegangan tetap kering, bersih, dan bebas dari minyak dan pelumas.** Gagang dan permukaan pegangan yang licin tidak mendukung keamanan penanganan dan pengendalian mesin dalam situasi-situasi tak terduga.
- 9. Ketika menggunakan mesin, jangan menggunakan sarung tangan kain yang dapat tersangkut.** Sarung tangan kain yang tersangkut pada komponen bergerak dapat mengakibatkan cedera pada pengguna.

Penggunaan dan pemeliharaan mesin bertenaga baterai

- 1. Isi ulang baterai hanya dengan pengisi daya yang ditentukan oleh pabrikan.** Pengisi daya yang cocok untuk satu jenis paket baterai dapat menimbulkan risiko kebakaran ketika digunakan untuk paket baterai yang lain.
- 2. Gunakan mesin listrik hanya dengan paket baterai yang telah ditentukan secara khusus.** Penggunaan paket baterai lain dapat menimbulkan risiko cedera dan kebakaran.
- 3. Ketika paket baterai tidak digunakan, jauhkan dari benda logam lain, seperti penjepit kertas, uang logam, kunci, paku, sekrup atau benda logam kecil lainnya, yang dapat menghubungkan satu terminal ke terminal lain.** Hubungan singkat terminal baterai dapat menyebabkan luka bakar atau kebakaran.
- 4. Pemakaian yang salah, dapat menyebabkan keluarnya cairan dari baterai; hindari kontak. Jika terjadi kontak secara tidak sengaja, bilas dengan air. Jika cairan mengenai mata, cari bantuan medis.** Cairan yang keluar dari baterai bisa menyebabkan iritasi atau luka bakar.
- 5. Jangan menggunakan paket baterai atau mesin yang sudah rusak atau telah diubah.** Baterai yang rusak atau telah diubah dapat menyebabkan hal-hal yang tidak dapat diprediksi yang dapat menyebabkan kebakaran, ledakan atau risiko cedera.
- 6. Jangan membiarkan paket baterai atau mesin dekat dengan api atau suhu yang berlebihan.** Paparan api atau suhu di atas 130 °C dapat menyebabkan ledakan.
- 7. Ikuti semua petunjuk pengisian daya dan jangan mengisi daya paket baterai atau mesin di luar rentang suhu yang ditentukan di panduan.** Mengisi daya secara tidak tepat atau pada suhu di luar rentang yang ditentukan dapat merusak baterai dan meningkatkan risiko kebakaran.

Servis

- 1. Berikan mesin listrik untuk diperbaiki hanya kepada oleh teknisi yang berkualifikasi dengan menggunakan hanya suku cadang pengganti yang serupa.** Hal ini akan menjamin terjaganya keamanan mesin listrik.

2. **Jangan pernah memperbaiki paket baterai yang sudah rusak.** Perbaikan paket baterai harus dilakukan hanya oleh produsen atau penyedia servis resmi.
3. **Patuhi petunjuk pelumasan dan penggantian aksesoris.**

Peringatan Keselamatan Alat Pemotong Tanaman Tanpa Kabel

1. **Jauhkan bagian tubuh Anda dari bilah pisau. Jangan ambil material pemotongan atau penahan saat bilah pisau bergerak.** Bilah pisau masih tetap berputar setelah sakelar dimatikan. Cedera serius dapat terjadi meskipun sesaat saja Anda lalai ketika menggunakan alat pemotong tanaman.
2. **Bawa alat pemotong tanaman dengan gagangnya dengan kondisi bilah pisau berhenti dan hati-hatilah, jangan sampai Anda mengaktifkan sakelar daya apa pun.** Membawa alat pemotong tanaman dengan benar akan mengurangi risiko awal akibat kelalaian dan cedera pribadi yang diakibatkan oleh bilah pisau.
3. **Ketika membawa atau menyimpan alat pemotong tanaman, selalu pasang penutup bilah pisau.** Penanganan alat pemotong tanaman yang benar akan mengurangi risiko cedera pribadi yang diakibatkan oleh bilah pisau.
4. **Saat membersihkan bahan yang macet atau memperbaiki unit, pastikan semua sakelar daya mati dan baterai dilepas atau tidak tersambung.** Aktuasi tak terduga dari alat pemotong tanaman saat pengguna membersihkan material yang macet atau melakukan servis dapat mengakibatkan cedera pribadi yang serius.
5. **Pegang alat pemotong tanaman hanya pada permukaan genggam yang terisolasi, karena bilah pisau mungkin bersentuhan dengan kawat atau kabel tersembunyi.** Bilah pisau yang menyentuh kawat "beraliran listrik" dapat menyebabkan bagian logam pada alat pemotong tanaman teraliri arus listrik dan menyengat pengguna.
6. **Jauhkan semua kabel daya dan kabel dari area pemotongan.** Kabel daya atau kabel bisa jadi tersembunyi di pagar atau semak-semak dan dapat terpotong secara tidak sengaja oleh bilah pisau.
7. **Jangan gunakan alat pemotong tanaman saat kondisi cuaca buruk, terutama jika terdapat risiko sambaran petir.** Hal ini akan mengurangi risiko disambar petir.

Petunjuk Keselamatan Tambahan

Persiapan

1. **Periksa tanaman pagar dan belukar apakah ada benda asing di dalamnya, seperti pagar kawat atau kawat yang tersembunyi sebelum mengoperasikan alat.**
2. **Mesin ini tidak boleh digunakan oleh anak-anak atau usia di bawah 18 tahun.** Orang dengan usia di atas 16 tahun diperbolehkan menggunakan mesin ini hanya jika telah menjalani pelatihan dengan pengawasan ahli.

3. **Pengguna awam harus meminta bantuan orang yang berpengalaman untuk menunjukkan cara menggunakan mesin tersebut.**
4. **Hanya gunakan mesin ketika kondisi fisik Anda baik.** Apabila Anda lelah, perhatian Anda mungkin dapat menurun. Berhati-hatilah ketika hari kerja hampir berakhir. Lakukan semua pekerjaan dengan tenang dan hati-hati. Pengguna bertanggung jawab atas semua kerusakan yang terjadi pada pihak ketiga.
5. **Jangan pernah menggunakan mesin jika Anda berada dalam pengaruh alkohol, obat-obatan, atau dalam masa pengobatan.**
6. **Sarung tangan kerja dengan bahan kulit merupakan perlengkapan standar untuk mesin tersebut dan harus selalu dikenakan ketika menggunakan pemotong.** Kenakan juga sepatu yang kuat dengan sol anti-selip.
7. **Sebelum memulai kerja, periksa dan pastikan mesin berada pada kondisi yang baik dan aman.** Pastikan seluruh pelindung terpasang dengan benar. Mesin ini tidak boleh digunakan kecuali telah terpasang dengan lengkap.

Pengoperasian

1. **Pegang mesin kuat-kuat dengan kedua tangan saat menggunakannya.**
2. **Mesin ini dirancang untuk digunakan oleh operator di permukaan tanah.** Jangan gunakan mesin ini di tangga atau permukaan lain yang tidak stabil.
3. **BAHAYA: Jauhkan tangan Anda dari mata pisau.** Sentuhan dengan mata pisau dapat mengakibatkan cedera badan serius.
4. **Pastikan Anda memiliki pijakan yang aman sebelum mulai mengoperasikan mesin.**
5. **Jangan mengoperasikan mesin tanpa beban yang tidak diperlukan.**
6. **Segera matikan mesin dan lepas kartrid baterai apabila bilah pisau pemangkas menyentuh pagar atau benda keras lainnya.** Periksa kerusakan pada bilah pisau dan jika rusak segera ganti mata pisau.
7. **Sebelum memeriksa bilah pisau pemangkas, memperbaiki kerusakan, atau membersihkan material yang tersangkut pada bilah pisau pemangkas, selalu matikan mesin ini dan lepaskan kartrid baterai.**
8. **Jangan arahkan bilah pisau pemangkas ke diri sendiri atau orang lain.**
9. **Jika bilah pisau berhenti bergerak karena benda asing tersangkut di antara bilah pisau selama pengoperasian, matikan mesin dan lepaskan kartrid baterai, lalu keluarkan benda asing menggunakan alat seperti tang.** Mengeluarkan benda asing dengan tangan dapat menyebabkan cedera karena bilah pisau dapat bergerak sebagai akibat dari dikeluarkannya benda asing tersebut.
10. **Ketika Anda menggunakan mesin di permukaan berlumpur, lereng basah, atau tempat yang licin, perhatikan pijakan Anda dengan saksama.**
11. **Jangan biarkan mesin terendam genangan air.**

12. Jangan meninggalkan mesin tanpa pengawasan di luar saat hujan.

Keamanan listrik dan baterai

1. **Hindari lingkungan yang berbahaya. Jangan gunakan mesin di lokasi yang lembap dan basah, atau membiarkannya terkena hujan.** Air yang masuk ke dalam mesin akan meningkatkan risiko sengatan listrik.
2. **Jangan buang baterai ke nyala api.** Sel baterai dapat meledak. Periksa kode setempat untuk petunjuk pembuangan khusus yang memungkinkan.
3. **Jangan buka atau bongkar baterai.** Elektrolit yang terlepas bersifat korosif dan dapat melukai mata atau kulit. Zat tersebut dapat beracun jika tertelan.
4. **Jangan mengisi daya baterai saat hujan, atau di lokasi yang basah.**
5. **Jangan mengisi daya baterai di luar ruangan.**
6. **Jangan memegang pengisi daya, termasuk steker pengisi daya, dan terminal pengisi daya dengan tangan basah.**
7. **Jangan ganti baterai dengan tangan basah.**
8. **Jangan ganti baterai dalam kondisi hujan.**
9. **Jangan membasahi terminal baterai dengan cairan seperti air, atau merendam baterai. Jangan tinggalkan baterai saat hujan, atau mengisi daya, menggunakan, atau menyimpan baterai di tempat yang lembap atau basah.** Jika terminal basah atau cairan masuk ke dalam baterai, mungkin dapat terjadi hubungan singkat dan terdapat risiko kelebihan panas, terbakar, atau meledak.
10. **Setelah melepas baterai dari mesin atau pengisi daya, pastikan Anda memasang penutup ke baterai dan simpan di tempat kering.**
11. **Jika kartrid baterai basah, keringkan air di dalamnya kemudian usap dengan kain kering. Biarkan kartrid baterai benar-benar kering di tempat kering sebelum digunakan.**

Perawatan dan penyimpanan

1. **Matikan mesin dan lepaskan kartrid baterai sebelum melakukan pekerjaan perawatan apa pun.**
2. **Ketika memindahkan mesin ke lokasi lain, termasuk selama melakukan pekerjaan, selalu lepaskan kartrid baterai dan pasang penutup bilah pisau pada bilah pisau pemangkas. Jangan pernah membawa atau memindahkan mesin saat bilah pisau masih beroperasi. Jangan pernah menggenggam bilah pisau pemangkas menggunakan tangan.**
3. **Bersihkan mesin dan terutama bilah pisau pemangkas setelah digunakan, dan sebelum memasukkan mesin tersebut ke penyimpanan untuk waktu yang lama. Sedikit lumasi bilah pisau pemangkas dan masukkan ke dalam penutupnya.**
4. **Simpan mesin tersebut dalam penutup bilah pisau, di ruangan yang kering. Jauhkan dari jangkauan anak-anak. Jangan pernah menyimpan mesin ini di luar ruangan.**

5. **Jangan buang baterai ke dalam api. Sel dapat meledak. Periksa ketentuan lokal untuk petunjuk pembuangan khusus.**
6. **Jangan membuka atau membongkar baterai. Elektrolit yang terlepas bersifat korosif dan dapat menyebabkan iritasi pada mata atau kulit. Elektrolit yang terlepas beracun jika tertelan.**
7. **Jangan mengisi daya baterai saat hujan, atau di lokasi yang basah.**
8. **Ketika menyimpan mesin, hindari terkena cahaya matahari dan hujan langsung, dan simpan di tempat yang jauh dari panas atau lembap.**

SIMPAN PETUNJUK INI.

PERINGATAN: JANGAN biarkan kenyamanan atau terbiasanya Anda dengan produk (karena penggunaan berulang) mengurangi kepatuhan yang ketat terhadap aturan keselamatan untuk produk yang terkait. **PENYALAHGUNAAN** atau kelalaian mematuhi kaidah keselamatan yang tertera dalam petunjuk ini dapat menyebabkan cedera badan serius.

Petunjuk keselamatan penting untuk kartrid baterai

1. **Sebelum menggunakan kartrid baterai, bacalah semua petunjuk dan penandaan pada (1) pengisi daya baterai, (2) baterai, dan (3) produk yang menggunakan baterai.**
2. **Jangan membongkar atau memodifikasi kartrid baterai.** Tindakan tersebut dapat menimbulkan api, panas berlebih, atau ledakan.
3. **Jika waktu beroperasinya menjadi sangat singkat, segera hentikan penggunaan.** Hal tersebut dapat menimbulkan risiko panas berlebih, kemungkinan mengalami luka bakar atau bahkan terjadi ledakan.
4. **Jika elektrolit mengenai mata Anda, basuh dengan air bersih dan segera cari pertolongan medis.** Hal tersebut dapat mengakibatkan hilangnya kemampuan penglihatan Anda.
5. **Jangan menghubungkan terminal kartrid baterai:**
 - (1) **Jangan menyentuh terminal dengan bahan penghantar listrik apa pun.**
 - (2) **Hindari menyimpan kartrid baterai pada wadah yang berisi benda logam lain seperti paku, uang logam, dsb.**
 - (3) **Jangan membiarkan baterai terkena air atau kehujanan.****Hubungan singkat baterai dapat menyebabkan aliran arus listrik yang besar, panas berlebih, kemungkinan mengalami luka bakar dan bahkan kerusakan pada baterai.**
6. **Jangan menyimpan dan menggunakan mesin dan kartrid baterai pada lokasi dengan suhu yang bisa mencapai atau melebihi 50 °C (122 °F).**

7. **Jangan membuang kartrid baterai di tempat pembakaran sampah walaupun benar-benar rusak atau tidak bisa digunakan sama sekali. Kartrid baterai bisa meledak jika terbakar.**
8. **Jangan memaku, memotong, menghancurkan, melempar, menjatuhkan kartrid baterai, atau memukul benda keras ke kartrid baterai.**
Tindakan tersebut dapat menimbulkan api, panas berlebih, atau ledakan.
9. **Jangan menggunakan baterai yang rusak.**
10. **Baterai litium-ion yang disertakan sesuai dengan persyaratan Perundangan Makanan Berbahaya.**
Harus ada pengawasan untuk pengangkutan komersial misalnya oleh pihak ketiga, ekspeditor, persyaratan khusus terhadap pengemasan dan pelabelan.
Diperlukan adanya konsultasi dengan ahli mengenai material berbahaya untuk persiapan barang yang akan dikirimkan. Perhatikan pula peraturan nasional yang lebih terperinci yang mungkin ada.
Beri perekat atau tutupi bagian yang terbuka dan kemasan baterai dengan cara yang tidak akan menimbulkan pergeseran dalam pengemasan.
11. **Ketika membuang kartrid baterai, lepaskan dari mesin dan buang ke tempat yang aman. Patuhi peraturan setempat yang berkaitan dengan pembuangan baterai.**
12. **Gunakan baterai hanya dengan produk yang ditentukan oleh Makita.** Memasang baterai pada produk yang tidak sesuai dapat menyebabkan kebakaran, kelebihan panas, ledakan, atau kebocoran elektrolit.
13. **Jika mesin tidak digunakan dalam jangka waktu yang lama, baterai harus dilepas dari mesin.**
14. **Selama dan setelah digunakan, kartrid baterai mungkin menyimpan panas yang dapat menyebabkan luka bakar atau luka bakar suhu rendah.** Perhatikan cara memegang kartrid baterai yang masih panas.
15. **Jangan langsung menyentuh terminal mesin setelah digunakan karena suhunya mungkin cukup panas untuk menyebabkan luka bakar.**
16. **Jangan biarkan serpihan, debu, atau tanah menempel di terminal, lubang, dan alur kartrid baterai.** Hal tersebut dapat menyebabkan pemanasan, kebakaran, ledakan, dan kegagalan fungsi mesin atau kartrid baterai, yang mengakibatkan luka bakar atau cedera diri.
17. **Kecuali jika mesin mendukung penggunaan di dekat saluran listrik bertegangan tinggi, jangan gunakan kartrid baterai di dekat saluran listrik bertegangan tinggi.** Hal tersebut dapat mengakibatkan kegagalan fungsi atau kerusakan mesin maupun kartrid baterai.
18. **Jauhkan baterai dari jangkauan anak-anak.**

SIMPAN PETUNJUK INI.

⚠PERHATIAN: Gunakan baterai asli Makita. Penggunaan baterai Makita yang tidak asli, atau baterai yang sudah diubah, akan mengakibatkan baterai mudah terbakar, cedera dan kerusakan. Akan menghilangkan garansi Makita pada pengisi daya dan alat Makita.

Tip untuk menjaga agar umur pemakaian baterai maksimum

1. **Isi ulang kartrid baterai sebelum habis sama sekali.** Selalu hentikan penggunaan mesin dan ganti kartrid baterai jika Anda melihat bahwa mesin kurang tenaga.
2. **Jangan pernah mengisi ulang kartrid baterai yang sudah diisi penuh.** Pengisian ulang yang berlebih memperpendek umur pemakaian baterai.
3. **Isi ulang kartrid baterai pada suhu ruangan 10 °C - 40 °C.** Biarkan kartrid baterai yang panas menjadi dingin terlebih dahulu sebelum diisi ulang.
4. **Saat kartrid baterai tidak digunakan, lepaskan dari mesin atau pengisi daya.**
5. **Isi ulang daya kartrid baterai jika Anda tidak menggunakannya untuk jangka waktu yang lama (lebih dari enam bulan).**

DESKRIPSI FUNGSI

⚠PERHATIAN: Selalu pastikan bahwa mesin dimatikan dan kartrid baterai dilepas sebelum menyatel atau memeriksa kerja mesin.

Memasang atau melepas baterai

⚠PERHATIAN: Selalu matikan mesin sebelum memasang atau melepas kartrid baterai.

⚠PERHATIAN: Pegang mesin dan kartrid baterai kuat-kuat saat memasang atau melepas kartrid baterai. Kelalaian untuk memegang mesin dan kartrid baterai kuat-kuat bisa menyebabkan keduanya tergelincir dari tangan Anda dan mengakibatkan kerusakan pada mesin dan kartrid baterai dan cedera diri.

- **Gbr.1:** 1. Indikator berwarna merah 2. Tombol 3. Kartrid baterai

Untuk melepas kartrid baterai, geser dari mesin sambil menggeser tombol pada bagian depan kartrid.

Untuk memasang kartrid baterai, sejajarkan lidah kartrid baterai dengan alur pada rumah dan masukkan ke dalam tempatnya. Masukkan seluruhnya sampai terkunci pada tempatnya dan terdengar bunyi klik kecil. Jika Anda bisa melihat indikator berwarna merah seperti yang ditunjukkan pada gambar, ini artinya kartrid baterai tidak terkunci sempurna.

PERHATIAN: Selalu pasang kartrid baterai sepenuhnya sampai indikator berwarna merah tidak terlihat. Jika tidak, bisa terlepas dari mesin secara tidak sengaja, menyebabkan luka pada Anda atau orang di sekitar Anda.

PERHATIAN: Jangan memasang kartrid baterai secara paksa. Jika kartrid tidak bergeser dengan mudah, berarti tidak dimasukkan dengan benar.

PEMBERITAHUAN: Bergantung pada kondisi penggunaan, mesin otomatis berhenti tanpa indikasi apa pun jika ranting dan serpihan tersangkut di mesin. Dalam kasus ini, matikan mesin dan lepaskan kartrid baterai, kemudian singkirkan ranting atau serpihan yang tersangkut menggunakan alat seperti tang. Setelah menyingkirkan cabang atau serpihan, pasang kartrid baterai dan nyalakan mesin kembali.

Mengindikasikan kapasitas baterai yang tersisa

Tekan tombol pemeriksaan pada kartrid baterai untuk melihat kapasitas baterai yang tersisa. Lampu indikator menyala selama beberapa detik.

► **Gbr.2:** 1. Lampu indikator 2. Tombol pemeriksaan

Lampu indikator			Kapasitas yang tersisa
Menyala	Mati	Berkedip	
■ ■ ■ ■	□ □ □ □	◐ ◑	75% hingga 100%
■ ■ ■ □	□ □ □ □	◐ ◑	50% hingga 75%
■ ■ □ □	□ □ □ □	◐ ◑	25% hingga 50%
■ □ □ □	□ □ □ □	◐ ◑	0% hingga 25%
◐ ◑	□ □ □ □	◐ ◑	Isi ulang baterai.
■ ■ □ □	□ □ □ □	◐ ◑	Baterai mungkin sudah rusak.
□ □ ■ ■	□ □ □ □	◐ ◑	

CATATAN: Tergantung kondisi penggunaan dan suhu lingkungannya, penunjukkan mungkin saja sedikit berbeda dari kapasitas sebenarnya.

CATATAN: Lampu indikator pertama (ujung kiri) akan berkedip ketika sistem perlindungan mesin bekerja.

Sistem perlindungan mesin / baterai

Mesin ini dilengkapi dengan sistem perlindungan mesin/baterai. Sistem ini memutuskan aliran daya ke motor secara otomatis untuk memperpanjang masa pakai mesin dan baterai. Mesin akan berhenti secara otomatis saat digunakan jika mesin berada dalam salah satu kondisi berikut ini:

► **Gbr.3:** 1. Lampu perhatian

Lampu perhatian			Status
Warna	● Menyala	⦿ Berkedip	
Hijau		⦿	Kelebihan beban
Merah	● (mesin) / ⦿ (baterai)		Panas berlebih
Merah		⦿	Pengosongan daya berlebih

Perlindungan kelebihan beban

Jika mesin atau baterai mengalami kelebihan beban akibat semak atau serpihan lain yang tersangkut, mesin atau baterai akan berhenti secara otomatis dan lampu perhatian mulai berkedip dengan warna hijau.

Untuk situasi ini, matikan mesin dan hentikan pekerjaan yang menyebabkan mesin mengalami kelebihan beban. Kemudian, nyalakan mesin untuk kembali memulai pekerjaan.

Perlindungan kelebihan panas untuk mesin atau baterai

Jika alat atau kartrid baterai terlalu panas, mesin akan berhenti secara otomatis. Saat mesin mengalami kelebihan panas, lampu perhatian akan menyala merah. Saat kartrid baterai mengalami kelebihan panas, lampu perhatian akan berkedip merah. Biarkan suhu mesin dan/atau baterai turun sebelum dinyalakan kembali.

Perlindungan pengisian daya berlebih

Apabila kapasitas baterai menurun, mesin akan berhenti secara otomatis dan lampu perhatian mulai berkedip dengan warna merah.

Jika mesin tidak beroperasi bahkan ketika sakelar dioperasikan, lepaskan kartrid baterai dari mesin dan isi dayanya.

Perlindungan terhadap penyebab lain

Sistem perlindungan juga dirancang untuk penyebab lain yang dapat merusak mesin dan memungkinkan mesin untuk berhenti secara otomatis. Lakukan semua langkah berikut ini untuk mengatasi penyebabnya, saat mesin dihentikan sementara atau berhenti beroperasi.

1. Matikan mesin, dan kemudian hidupkan kembali untuk memulai ulang.
2. Isi baterai atau ganti dengan baterai yang sudah diisi ulang.
3. Biarkan mesin dan baterai menjadi dingin.

Jika tidak ada peningkatan yang dapat ditemukan dengan memulihkan sistem perlindungan, hubungi Pusat Servis Makita setempat Anda.

Kerja sakelar daya

⚠️ PERINGATAN: Untuk keselamatan Anda, mesin ini dilengkapi dengan tuas untuk mencegah hidupnya mesin secara tidak disengaja. **JANGAN PERNAH** menggunakan mesin jika mesin tersebut menyala ketika Anda hanya menarik pelatuk sakelarnya tanpa menekan tuas. Kembalikan mesin ke pusat layanan resmi kami untuk diperbaiki dengan benar **SEBELUM** menggunakannya lebih lanjut.

⚠️ PERINGATAN: **JANGAN PERNAH** memberi lakban atau mengurangi kegunaan dan fungsi tuas.

⚠️ PERINGATAN: Sebelum memasang kartrid baterai pada mesin, selalu periksa untuk memastikan pelatuk dan tuas sakelar berfungsi dengan baik dan kembali ke posisi "MATI" saat dilepas. Penggunaan mesin dengan sakelar yang tidak berfungsi dengan baik dapat menyebabkan kehilangan kontrol dan cedera serius.

⚠️ PERHATIAN: Jangan pernah meletakkan jari Anda pada pelatuk sakelar saat memindahkan alat. Mesin mungkin akan menyala tanpa disengaja dan menyebabkan cedera.

PEMBERITAHUAN: Jangan menarik dalam-dalam pelatuk sakelar tanpa menekan tuasnya. Hal ini bisa merusak sakelar.

Tekan tombol daya utama untuk menghidupkan mesin. Untuk mematikan mesin, tekan dan tahan tombol daya utama hingga indikator kecepatan mati.

► **Gbr.4:** 1. Tombol daya utama

CATATAN: Lampu perhatian akan berkedip jika pelatuk sakelar ditarik pada kondisi yang tidak layak untuk pengoperasian. Lampu perhatian berkedip jika Anda menyalakan sakelar daya utama sambil menahan tuas dan pelatuk sakelar.

CATATAN: Mesin ini menggunakan fungsi pemutus daya otomatis. Untuk menghindari penyalaaan yang tidak disengaja, sakelar daya utama akan secara otomatis mati ketika pelatuk sakelar tidak ditarik selama beberapa saat setelah sakelar daya utama dinyalakan.




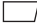





Untuk mencegah pelatuk sakelar tertarik secara tidak sengaja, tersedia sebuah tuas. Untuk menyalakan mesin ini, tarik pelatuk sakelar depan, lalu tarik pelatuk sakelar belakang sambil menekan tuas. Saat Anda melepaskan salah satu sakelar pelatuk, mesin berhenti.

► **Gbr.5:** 1. Tuas 2. Pelatuk sakelar belakang
3. Pelatuk sakelar depan

Penyetel kecepatan

Anda dapat menyesuaikan kecepatan mesin dengan menekan tombol daya utama. Setiap kali Anda menekan tombol daya utama, tingkat kecepatan akan berubah.

► **Gbr.6:** 1. Indikator kecepatan 2. Tombol daya utama

Indikator kecepatan	Mode	Kecepatan langkah
3  2  1 	Tinggi	5.000 min ⁻¹
3  2  1 	Sedang	3.600 min ⁻¹
3  2  1 	Rendah	2.000 min ⁻¹

Tombol pembalik arah untuk penghilangan serpihan

⚠️ PERINGATAN: Jika ranting atau serpihan yang tersangkut tidak dapat disingkirkan dengan fungsi terbalik, matikan mesin dan lepaskan kartrid baterai, kemudian singkirkan ranting atau serpihan yang tersangkut menggunakan alat seperti tang. Kelalaian dalam mematikan mesin dan melepaskan kartrid baterai dapat mengakibatkan cedera badan yang serius akibat penyalaaan yang tidak disengaja. Melepaskan ranting dan serpihan yang tersangkut menggunakan tangan dapat menyebabkan cedera, karena bilah pisau pemangkas dapat bergerak saat Anda menyingkirkannya.

Mesin ini memiliki tombol pembalik arah untuk mengubah arah gerakan bilah pisau pemangkas. Ini hanya berfungsi untuk menyingkirkan ranting dan serpihan yang tersangkut pada mesin.

Untuk membalikkan pergerakan bilah pisau pemangkas, tekan tombol pembalik arah ketika bilah pisau pemangkas sudah berhenti, lalu tarik pelatuk sakelar depan, dan kemudian tarik pelatuk sakelar belakang sambil menekan tuas. Indikator kecepatan mulai berkedip dan bilah pisau pemangkas bergerak dengan arah terbalik.

Apabila ranting dan serpihan yang tersangkut telah disingkirkan, mesin akan kembali ke pergerakan normalnya, dan indikator kecepatan berhenti berkedip dan menyala.

► **Gbr.7:** 1. Indikator kecepatan 2. Tombol pembalik arah

CATATAN: Jika cabang atau serpihan yang tersangkut tidak bisa dilepas, lepaskan pelatuk sakelar, lalu tekan tombol pembalik arah, kemudian tarik pelatuk sakelar sampai cabang dan serpihan tersebut lepas.

CATATAN: Jika Anda mengetuk tombol saat bilah pisau pemangkas masih bergerak, mesin akan berhenti dan siap untuk pergerakan terbalik.

Fungsi elektronik

Mesin ini dilengkapi dengan fungsi elektronik untuk pengoperasian yang mudah.

- Kontrol kecepatan konstan
Fungsi kontrol kecepatan memberikan kecepatan rotasi yang konstan terlepas dari kondisi muatan.
- Rem elektrik
Mesin ini dilengkapi dengan rem elektrik. Jika mesin gagal melakukan pemberhentian cepat pada bilah pisau pemangkas setelah melepaskan pelatuk sakelar, lakukan servis mesin di Pusat Servis Resmi Makita.
- Fungsi pencegah penyalaaan ulang secara tidak sengaja

Meskipun Anda memasang kartrid baterai sembari menarik pelatuk sakelar, mesin tidak akan menyala. Untuk menjalankan mesin, terlebih dahulu lepaskan pelatuk sakelar, lalu tarik pelatuk sakelar.

PERAKITAN

⚠PERHATIAN: Selalu pastikan bahwa mesin dimatikan dan kartrid baterai dilepas sebelum melakukan pekerjaan apa pun pada mesin.

⚠PERHATIAN: Ketika mengganti bilah pisau pemangkas, selalu kenakan sarung tangan agar tangan Anda tidak menyentuh mata pisau secara langsung.

PEMBERITAHUAN: Ketika mengganti bilah pisau pemangkas, jangan bersihkan gemuk pada gir dan engkol.

Memasang atau melepas bilah pisau pemangkas

⚠PERHATIAN: Pasang penutup pisau sebelum melepas atau memasang bilah pisau pemangkas.

Anda bisa memasang bilah pisau pemangkas 600 mm atau 750 mm ke mesin Anda.

CATATAN: Jika Anda mengganti bilah pisau pemangkas dengan panjang yang berbeda, ganti pengumpul serpihan yang sesuai dengan bilah pisau tersebut.

1. Lepaskan empat sekrup (untuk UH013G) atau lima sekrup (untuk UH014G), lalu lepaskan pengumpul serpihan dari mesin.

Untuk UH013G

- **Gbr.8:** 1. Pengumpul serpihan 2. Sekrup

Untuk UH014G

- **Gbr.9:** 1. Pengumpul serpihan 2. Sekrup

2. Hadapkan mesin ke bawah, dan kemudian lepaskan enam baut.

- **Gbr.10:** 1. Baut

3. Lepaskan penutup dan pelat.

- **Gbr.11:** 1. Tutup 2. Pelat

CATATAN: Pelat dapat tetap terpasang pada penutup.

4. Lepaskan batang dan bantalan.

- **Gbr.12:** 1. Batang 2. Bantalan

CATATAN: Batang atau bantalan dapat tetap terpasang pada penutup.

5. Lepaskan tiga sekrup, tiga selongsong dan bantalan bulu kempa, dan kemudian lepaskan bilah pisau pemangkas.

- **Gbr.13:** 1. Sekrup 2. Selongsong 3. Bantalan bulu kempa 4. Bilah pisau pemangkas

PEMBERITAHUAN: Jangan sampai mengendurkan sekrup.

6. Lepaskan penutup bilah pisau dan pasang pada bilah pisau pemangkas yang baru.

- **Gbr.14**

7. Setel engkol sehingga dua lubangnya sejajar pada garis.

- **Gbr.15:** 1. Lubang 2. Garis sejajar

8. Sejajarkan tonjolan pada bilah pisau pemangkas secara vertikal pada posisi yang sama.

- **Gbr.16:** 1. Tonjolan

9. Masukkan sekrup yang dilepas di langkah 5 ke dalam lubang pada penutup mata pisau dan mata pisau pemangkas untuk memasang sementara mata pisau pemangkas, dan kemudian pasang bantalan bulu kempa ke mata pisau pemangkas.

- **Gbr.17:** 1. Sekrup 2. Bantalan bulu kempa 3. Lubang

10. Masukkan tonjolan pada mata pisau pemangkas ke lubang pada batang, lalu sejajarkan posisi bantalan bulu kempa dengan lubang pada mesin. Pasang dua selongsong baru.

- **Gbr.18:** 1. Bantalan bulu kempa 2. Tonjolan 3. Lubang 4. Selongsong

PEMBERITAHUAN: Berikan sedikit gemuk pada periferi dalam dari lubang pada batang.

PEMBERITAHUAN: Jangan sampai mengendurkan selongsong.

11. Sejajarkan lubang-lubang pada selongsong dan mata pisau pemangkas dengan lubang pada mesin, dan kemudian kencangkan dua sekrup untuk memasang sementara mata pisau pemangkas.

- **Gbr.19:** 1. Sekrup

12. Lepaskan sekrup yang dipasang ke lubang pada mata pisau pemangkas dalam langkah 9, dan kemudian geser penutup mata pisau.

- **Gbr.20:** 1. Sekrup

13. Pasang sebuah selongsong baru.

- **Gbr.21:** 1. Selongsong

14. Kencangkan sekrup bersama-sama dengan selongsong untuk memperbaiki mata pisau pemangkas.

- **Gbr.22:** 1. Sekrup

15. Pada langkah 11, kencangkan sekrup yang dipasang dengan kuat untuk sementara.

16. Pasang bantalan dan batang.

► **Gbr.23:** 1. Batang 2. Lubang kecil 3. Bantalan

PEMBERITAHUAN: Berikan sedikit gemuk pada periferi dalam dari lubang kecil pada batang.

PEMBERITAHUAN: Pastikan bahwa tonjolan pada bilah pisau pemangkas terpasang di dalam lubang kecil pada batang.

17. Pasang pelat.

► **Gbr.24:** 1. Tonjolan 2. Pelat

PEMBERITAHUAN: Pastikan bahwa tonjolan pada bilah pisau pemangkas terpasang di dalam lubang pada pelat.

18. Pasang penutup, dan kemudian kencangkan enam baut.

► **Gbr.25:** 1. Baut 2. Tutup

19. Pasang pengumpul serpihan ke mesin dengan mengencangkan empat sekrup (untuk UH013G) atau lima sekrup (untuk UH014G).

Untuk UH013G

► **Gbr.26:** 1. Pengumpul serpihan 2. Sekrup

Untuk UH014G

► **Gbr.27:** 1. Pengumpul serpihan 2. Sekrup

PEMBERITAHUAN: Jika bilah pisau pemangkas tidak bergerak dengan lancar, berarti pisau pemangkas tidak terpasang pada batang dengan benar. Pasang bilah pisau pemangkas kembali.

PEMBERITAHUAN: Jika bagian selain pisau pemangkas, misalnya batang, telah aus, hubungi Pusat Servis Resmi Makita untuk penggantian atau perbaikan suku cadang.

Melepas atau memasang pengumpul serpihan

PERHATIAN: Ketika memasang atau melepas pengumpul serpihan, selalu kenakan sarung tangan agar tangan Anda tidak menyentuh bilah pisau pemangkas secara langsung.

Pengumpul serpihan mengumpulkan daun yang terbangun dan membuat pembersihan selanjutnya lebih mudah.

Untuk melepaskan pengumpul serpihan, lepaskan empat sekrup (untuk UH013G) atau lima sekrup (untuk UH014G), dan kemudian lepaskan pengumpul serpihan dari mesin. Untuk memasang pengumpul serpihan, lakukan prosedur pelepasan dalam urutan terbalik.

Untuk UH013G

► **Gbr.28:** 1. Pengumpul serpihan 2. Sekrup

Untuk UH014G

► **Gbr.29:** 1. Pengumpul serpihan 2. Sekrup

PENGUNAAN

PERINGATAN: Jauhkan tangan Anda dari bilah pisau pemangkas.

PERHATIAN: Hindari penggunaan alat dalam kondisi cuaca yang sangat panas jika memungkinkan. Saat menggunakan alat, jaga kondisi fisik Anda.

PERHATIAN: Berhati-hatilah agar tidak menyentuh pagar besi atau benda keras lainnya selama pemotongan. Bilah pisau pemangkas dapat pecah dan dapat menimbulkan cedera.

PERHATIAN: Berhati-hatilah agar bilah pisau pemangkas tidak bersentuhan dengan tanah. Mesin dapat terpelantak dan dapat menimbulkan cedera.

PERHATIAN: Berusaha menjangkau alat pemotong tanaman terlalu jauh terutama menggunakan tangga sangatlah berbahaya. Jangan bekerja di atas pijakan yang goyah atau tidak kuat.

PEMBERITAHUAN: Jangan mencoba memotong ranting dengan diameter yang lebih tebal dari 10 mm dengan alat ini. Potong cabang besar hingga 10 cm lebih rendah dibanding ketinggian pemotongan menggunakan pemotong cabang sebelum menggunakan alat ini.

► **Gbr.30:** (1) Ketinggian pemotongan (2) 10 cm

PEMBERITAHUAN: Jangan potong pohon yang sudah mati atau benda keras lainnya. Jika dilakukan dapat mengakibatkan kerusakan mesin.

PEMBERITAHUAN: Jangan memotong rumput atau semak saat menggunakan bilah pisau pemangkas. Bilah pisau pemangkas dapat tersangkut di rumput atau semak.

Pegang gagang depan dengan tangan kanan Anda dan gagang belakang dengan tangan kiri Anda. Tarik pelatuk sakelar depan, kemudian tarik pelatuk sakelar belakang sambil menekan tuas, kemudian gerakkan mesin ke depan.

► **Gbr.31**

Untuk pengoperasian dasar, miringkan bilah pisau sesuai arah pemotongan lalu gerakkan dengan tenang dan perlahan dengan kecepatan rata-rata 3 hingga 4 detik per meter.

► **Gbr.32**

Agar pemotongan pada bagian atas rata, gunakan tali untuk membatasi tanaman pada ketinggian yang diinginkan dan potong dengan mengikutinya.

► **Gbr.33**

Pengumpul serpihan mengumpulkan daun yang terbangun dan membuat pembersihan selanjutnya lebih mudah.

► **Gbr.34**

Untuk memotong bagian sisi tanaman dengan rata, potonglah dari bawah ke atas.

► **Gbr.35**

Ketika memotong untuk membuat bentuk bulat (memotong semak atau rhododendron, dll), potong dari bagian akar ke atas untuk hasil yang indah.

► Gbr.36

PERAWATAN

⚠PERHATIAN: Selalu pastikan bahwa mesin dimatikan dan kartrid baterai dilepas sebelum melakukan pemeriksaan atau perawatan.

Untuk menjaga KEAMANAN dan KEANDALAN mesin, perbaikan, perawatan atau penyetulan lainnya harus dilakukan oleh Pusat Layanan Resmi atau Pabrik Makita; selalu gunakan suku cadang pengganti buatan Makita.

Membersihkan mesin

Bersihkan mesin dari debu menggunakan kain kering atau dicelupkan di air sabun dan diperas.

PEMBERITAHUAN: Jangan sekali-kali menggunakan bensin, tiner, alkohol, atau bahan sejenisnya. Penggunaan bahan demikian dapat menyebabkan perubahan warna, perubahan bentuk atau timbulnya retakan.

Perawatan bilah pisau pemangkas

Sebelum mengoperasikan atau satu jam sekali saat mengoperasikan, oleskan oli dengan viskositas rendah (oli mesin atau oli pelumas jenis semprot) pada bilah pisau pemangkas.

► Gbr.37

Setelah pengoperasian, bersihkan debu pada bilah pisau pemangkas menggunakan sikat kawat, bersihkan dengan kain, lalu oleskan oli dengan viskositas rendah (oli mesin atau oli pelumas jenis semprot) pada bilah pisau pemangkas.

► Gbr.38

PEMBERITAHUAN: Jangan cuci bilah pisau pemangkas dengan air. Mencuci bilah pisau dengan air dapat mengakibatkan karat atau kerusakan mesin.

PEMBERITAHUAN: Debu dan korosi menyebabkan gesekan pisau berlebih dan mengurangi waktu operasi tiap pengisian daya baterai.

Penyimpanan

Lubang kait di bagian bawah alat dapat digunakan untuk menggantung mesin di dinding menggunakan paku atau sekrup.

Lepaskan kartrid baterai dari mesin tersebut, kemudian pasang penutup bilah pisau pada bilah pisau pemangkas agar bilah pisau tidak terlihat dengan jelas. Simpan mesin jauh dari jangkauan anak-anak. Simpan mesin di tempat yang terlindung dari kelembapan atau hujan.

► Gbr.39: 1. Lubang

Menggerinda bilah pisau pemangkas

PEMBERITAHUAN: Jika bilah pisau pemangkas sudah sangat rusak dikarenakan penggerindaan, ganti bilah pisau pemangkas dengan yang baru.

1. Pasang unit kartrid baterai ke mesin.
2. Nyalakan dan mulai mesin sehingga bilah pisau atas dan bawah diposisikan bergantian.

► Gbr.40

3. Matikan mesin dan lepaskan kartrid baterai dari mesin.

4. Atur sudut kikir sebesar 45°, kemudian gerinda mata pisau atas dari 3 arah dengan kikir.

► Gbr.41: (1) Kikir (2) 45°

⚠PERHATIAN: Sebelum menggerinda bilah pisau pemangkas, pastikan bahwa mesin dimatikan dan kartrid baterai dilepaskan dari mesin.

5. Letakkan mesin dengan sisi atasnya berada di bawah, kemudian bersihkan gerigis dari bilah pisau pemangkas dengan batu asahan.

► Gbr.42: 1. Batu asahan

6. Atur sudut kikir sebesar 45°, kemudian gerinda mata pisau bawah dari 3 arah dengan kikir.

7. Kembalikan mesin ke posisi normal, kemudian bersihkan gerigis dari bilah pisau pemangkas dengan batu asahan.

Pelumasan dengan gemuk

Interval pelumasan: Setiap 50 jam pengoperasian

1. Lepaskan baut dari lubang untuk pelumasan.

► Gbr.43: 1. Baut

2. Lepas tutup dari wadah gemuk. Sejajarkan saluran wadah gemuk dengan lubang pada penutup, lalu tekan saluran wadah gemuk ke lubang.

► Gbr.44: 1. Wadah gemuk 2. Lubang

3. Berikan gemuk ke mesin (Sekitar 5 g seperti pada panduan).

4. Kencangkan bautnya.

PEMECAHAN MASALAH

Sebelum meminta perbaikan, lakukan pemeriksaan mandiri terlebih dahulu. Jika Anda menemukan masalah yang tidak dijelaskan dalam buku petunjuk ini, jangan coba membongkar mesin. Sebaliknya, hubungi Pusat Servis Resmi Makita, dan selalu gunakan suku cadang pengganti Makita untuk perbaikan.

Kondisi Tidak Normal	Kemungkinan penyebab (kerusakan fungsi)	Perbaikan
Motor tidak berjalan.	Kartrid baterai tidak terpasang.	Pasang kartrid baterai.
	Masalah baterai (kekurangan tegangan)	Isi ulang daya baterai. Jika pengisian ulang daya tidak berhasil, gantilah baterai.
	Sistem penggerak tidak bekerja secara benar.	Mintalah pusat servis resmi setempat untuk melakukan perbaikan.
Motor berhenti setelah digunakan sebentar.	Daya baterai rendah.	Isi ulang daya baterai. Jika pengisian ulang daya tidak berhasil, gantilah baterai.
	Panas berlebih.	Hentikan penggunaan mesin untuk memungkinkannya mendingin.
Mesin tidak mencapai RPM maksimum.	Baterai dipasang secara tidak tepat.	Pasang kartrid baterai sebagaimana diuraikan dalam buku petunjuk ini.
	Daya baterai menurun.	Isi ulang daya baterai. Jika pengisian ulang daya tidak berhasil, gantilah baterai.
	Sistem penggerak tidak bekerja secara benar.	Mintalah pusat servis resmi setempat untuk melakukan perbaikan.
Bilah pisau pemangkas tidak bergerak: ⇒ segera hentikan mesin!	Benda asing dapat terjebak di antara beberapa bilah pisau pemangkas.	1. Gunakan tombol pembalik arah. 2. Matikan mesin dan lepaskan kartrid baterai, kemudian singkirkan benda asing menggunakan alat seperti tang.
	Sistem penggerak tidak bekerja secara benar.	Mintalah pusat servis resmi setempat untuk melakukan perbaikan.
Getaran tidak normal: ⇒ segera hentikan mesin!	Bilah pisau pemangkas rusak, bengkok atau aus.	Ganti pisau pemangkas.
	Sistem penggerak tidak bekerja secara benar.	Mintalah pusat servis resmi setempat untuk melakukan perbaikan.
Bilah pisau pemangkas dan motor tidak dapat berhenti: ⇒ Segera lepaskan baterai!	Malfungsi listrik.	Lepas baterai dan mintalah pusat servis resmi setempat untuk melakukan perbaikan.

AKSESORI PILIHAN

⚠️ PERHATIAN: Dianjurkan untuk menggunakan aksesoris atau perangkat tambahan ini dengan mesin Makita Anda yang ditentukan dalam petunjuk ini. Penggunaan aksesoris atau perangkat tambahan lain bisa menyebabkan risiko cedera pada manusia. Hanya gunakan aksesoris atau perangkat tambahan sesuai dengan peruntukannya.

Jika Anda memerlukan bantuan lebih rinci berkenaan dengan aksesoris ini, tanyakan pada Pusat Layanan Makita terdekat.

- Rakitan bilah pisau pemangkas
- Pengumpul serpihan
- Wadah gemuk
- Baterai dan pengisi daya asli Makita

CATATAN: Beberapa item dalam daftar tersebut mungkin sudah termasuk dalam paket mesin sebagai aksesoris standar. Hal tersebut dapat berbeda dari satu negara ke negara lainnya.

SPEKIFIKASI

Model:	UH013G	UH014G
Panjang bilah	600 mm	750 mm
Lejang seminit	2,000 / 3,600 / 5,000 min ⁻¹	
Panjang keseluruhan	1,085 mm	1,225 mm
Voltan terkadar	D.C. 36 V - 40 V maks	
Berat bersih	3.9 - 4.5 kg	4.0 - 4.7 kg
Tahap perlindungan	IPX4	

- Disebabkan program penyelidikan dan pembangunan kami yang berterusan, spesifikasi yang terkandung di dalam ini adalah tertakluk kepada perubahan tanpa notis.
- Spesifikasi mungkin berbeza mengikut negara.
- Berat mungkin berbeza bergantung kepada pemasangan, termasuk kartrij bateri. Kombinasi paling ringan dan paling berat, mengikut Prosedur EPTA 01/2014, ditunjukkan di dalam jadual.

Kartrij bateri dan pengecas yang boleh digunakan

Kartrij bateri	BL4020* / BL4025* / BL4040* / BL4050F * : Bateri yang disyorkan
Pengecas	DC40RA / DC40RB / DC40RC

- Sesetengah kartrij bateri dan pengecas yang disenaraikan di atas mungkin tidak tersedia bergantung pada kawasan kediaman anda.

⚠️ AMARAN: Gunakan hanya kartrij bateri dan pengecas yang disenaraikan di atas. Penggunaan mana-mana kartrij bateri dan pengecas yang lain mungkin menyebabkan kecederaan dan/atau kebakaran.

Sumber kuasa bersambung kord yang disyorkan

Pek kuasa mudah alih	PDC01 / PDC1200
----------------------	-----------------

- Sumber kuasa bersambung kord yang disenaraikan di atas mungkin tidak tersedia bergantung pada kawasan kediaman anda.
- Sebelum menggunakan sumber kuasa bersambung kord, baca arahan dan tanda peringatan.

Simbol

Berikut menunjukkan simbol-simbol yang boleh digunakan untuk alat ini. Pastikan anda memahami maksudnya sebelum menggunakan.



Baca manual arahan.



BAHAYA - Jauhkan tangan daripada bilah.



Pakai cermin mata keselamatan.



Hanya untuk negara-negara EU
Disebabkan kehadiran komponen berbahaya dalam peralatan, sisa peralatan elektrik dan elektronik, akumulator dan bateri boleh memberi kesan negatif terhadap persekitaran dan kesihatan manusia.

Jangan buang alat elektrik dan elektronik atau bateri bersama dengan bahan buangan isi rumah!
Mengikut Arahan Eropah mengenai sisa peralatan elektrik dan elektronik dan mengenai akumulator dan bateri dan sisa akumulator dan bateri serta penyesuaian dengan undang-undang negara, sisa peralatan elektrik, bateri dan akumulator hendaklah disimpan secara berasingan dan dihantar ke tempat pengumpulan berasingan untuk sisa perbandaran, beroperasi mengikut peraturan perlindungan persekitaran.
Ini ditunjukkan oleh simbol tong sampah beroda yang bersilang pada peralatan.

Tujuan penggunaan

Alat ini bertujuan untuk memangkas tanaman pagar.

AMARAN KESELAMATAN

Amaran keselamatan umum alat kuasa

⚠️ AMARAN: Baca semua amaran keselamatan, arahan, ilustrasi dan spesifikasi yang disediakan dengan alat kuasa ini. Kegagalan mengikut amaran dan arahan boleh menyebabkan kejutan elektrik, kebakaran dan/atau kecederaan serius.

Simpan semua amaran dan arahan untuk rujukan masa depan.

Istilah "alat kuasa" dalam amaran merujuk kepada alat kuasa yang menggunakan tenaga elektrik (kabel) atau alat kuasa yang menggunakan bateri (tanpa kord).

Keselamatan kawasan kerja

1. **Pastikan kawasan kerja bersih dan terang.** Kawasan berselerak atau gelap mengundang kemalangan.
2. **Jangan kendalikan alat kuasa dalam keadaan yang mudah meletup, seperti dalam kehadiran cecair, gas atau habuk yang mudah terbakar.** Alat kuasa menghasilkan percikan api yang boleh menyalakan debu atau wasap.
3. **Jauhkan kanak-kanak dan orang ramai semasa mengendalikan alat kuasa.** Gangguan boleh menyebabkan anda hilang kawalan.

Keselamatan elektrik

1. **Palam alat kuasa mesti sepadan dengan soket.** Jangan ubah suai palam dalam apa cara sekalipun. Jangan gunakan sebarang palam penyesuai dengan alat kuasa terbumi. Palam yang tidak diubah suai dan soket yang sepadan akan mengurangkan risiko kejutan elektrik.
2. **Elakkan sentuhan badan dengan permukaan terbumi, seperti paip, radiator, dapur dan peti sejuk.** Terdapat peningkatan risiko kejutan elektrik jika elektrik terbumi terkena badan anda.
3. **Jangan biarkan alat kuasa terkena hujan atau basah.** Air yang memasuki alat kuasa akan meningkatkan risiko kejutan elektrik.
4. **Jangan salah gunakan kord.** Jangan gunakan kord untuk membawa, menarik atau mencabut palam alat kuasa. Jauhkan kord dari haba, minyak, bucu tajam atau bahagian yang bergerak. Kord yang rosak atau tersimpul meningkatkan risiko kejutan elektrik.
5. **Semasa mengendalikan alat kuasa di luar, gunakan kord sambungan yang bersesuaian untuk kegunaan luar.** Penggunaan kord yang sesuai untuk kegunaan luar mengurangkan risiko kejutan elektrik.
6. **Sekiranya pengendalian alat kuasa di lokasi lembap tidak dapat dielakkan, gunakan bekalan peranti arus sisa (RCD) yang dilindungi.** Penggunaan RCD mengurangkan risiko kejutan elektrik.

7. **Alat kuasa boleh menghasilkan medan elektromagnetik (EMF) yang tidak berbahaya kepada pengguna.** Walau bagaimanapun, pengguna perentak jantung atau peranti perubatan yang serupa harus menghubungi pembuat peranti mereka dan/atau doktor untuk nasihat sebelum mengendalikan alat kuasa ini.

Keselamatan diri

1. **Sentiasa berwaspada, perhatikan apa yang anda lakukan dan guna akal budi semasa mengendalikan alat kuasa. Jangan gunakan alat kuasa semasa anda letih atau di bawah pengaruh dadah, alkohol atau ubat.** Kelekaan seketika semasa mengendalikan alat kuasa boleh menyebabkan kecederaan diri yang serius.
2. **Gunakan peralatan pelindungan diri. Sentiasa pakai pelindungan mata.** Peralatan pelindungan seperti topeng debu, kasut keselamatan tak mudah tergelincir, topi keselamatan atau pelindungan pendengaran yang digunakan untuk keadaan yang sesuai akan mengurangkan kecederaan diri.
3. **Elakkan permulaan yang tidak disengajakan. Pastikan suis ditutup sebelum menyambung kepada sumber kuasa dan/atau pek bateri, semasa mengangkat atau membawa alat.** Membawa alat kuasa dengan jari anda pada suis atau menahan tangan alat kuasa dengan suis pada kedudukan hidup mengundang kemalangan.
4. **Alihkan sebarang kunci atau sepana pelaras sebelum menghidupkan alat kuasa.** Sepana atau kunci yang ditinggalkan pada bahagian berputar alat kuasa boleh menyebabkan kecederaan diri.
5. **Jangan lampau jangkau. Jaga pijakan dan keseimbangan yang betul pada setiap masa.** Ini membolehkan kawalan alat kuasa yang lebih baik dalam situasi yang tidak dijangka.
6. **Berpakaian dengan betul. Jangan pakai pakaian yang longgar atau barang kemas. Jauhkan rambut dan pakaian anda dari bahagian yang bergerak.** Pakaian longgar, barang kemas atau rambut yang panjang boleh terperangkap dalam bahagian yang bergerak.
7. **Jika peranti disediakan untuk sambungan kemudahan pengeksktrakan dan pengumpulan habuk, pastikan ia disambung dan digunakan dengan betul.** Penggunaan pengumpulan habuk boleh mengurangkan bahaya berkaitan habuk.
8. **Jangan biarkan kebiasaan daripada kekerapan penggunaan alat membuat anda berpuas hati dan mengabaikan prinsip keselamatan alat.** Keceuaian boleh menyebabkan kecederaan serius dalam sekelip mata.
9. **Sentiasa pakai gogal pelindung untuk melindungi mata anda daripada kecederaan apabila menggunakan alat kuasa.** Gogal mestilah mematuhi ANSI Z87.1 di AS, EN 166 di Eropah, atau AS/NZS 1336 di Australia/New Zealand. Di Australia/New Zealand, undang-undang mengarahkan untuk memakai pelindung muka bagi melindungi muka anda, juga.



Menjadi tanggungjawab majikan untuk menguatkuasa penggunaan peralatan perlindungan keselamatan yang bersesuaian oleh pengendali alat dan oleh orang lain dalam kawasan bekerja semasa.

Penggunaan dan penjagaan alat kuasa

1. **Jangan gunakan alat kuasa dengan kasar. Gunakan alat kuasa yang betul untuk penggunaan anda.** Alat kuasa yang betul akan melakukan tugas dengan lebih baik dan lebih selamat pada kadar mana ia direka cipta.
2. **Jangan gunakan alat kuasa jika suis tidak berfungsi untuk menghidupkan dan mematikannya.** Alat kuasa yang tidak dapat dikawal dengan suis adalah berbahaya dan mesti dibaiki.
3. **Cabut palam dari sumber kuasa dan/atau keluarkan pek bateri, jika boleh ditanggalkan, dari alat kuasa sebelum membuat sebarang pelarasan, menukar aksesori, atau menyimpan alat kuasa.** Langkah-langkah keselamatan pencegahan sedemikian mengurangkan risiko memulakan alat kuasa secara tidak sengaja.
4. **Simpan alat kuasa yang tidak digunakan jauh dari jangkauan kanak-kanak dan jangan biarkan orang yang tidak biasa dengan alat kuasa atau arahan ini untuk mengendalikan alat kuasa.** Alat kuasa adalah berbahaya di tangan pengguna yang tidak terlatih.
5. **Menyelenggara alat kuasa dan aksesori. Periksa salah jajaran atau ikatan pada bahagian yang bergerak, bahagian yang pecah dan apa-apa keadaan lain yang boleh menjejaskan operasi alat kuasa. Jika rosak,baiki alat kuasa sebelum digunakan.** Kebanyakan kemalangan adalah disebabkan oleh alat kuasa yang tidak dijaga dengan baik.
6. **Pastikan alat pemotong tajam dan bersih.** Alat pemotong yang dijaga dengan betul dengan hujung pemotong yang tajam mempunyai kemungkinan yang rendah untuk terikat dan lebih mudah dikendalikan.
7. **Gunakan alat kuasa, aksesori dan alat bit dan sebagainya mengikut arahan ini dengan mengambil kira keadaan kerja dan kerja yang perlu dilakukan.** Penggunaan alat kuasa untuk operasi yang berbeza dari yang dimaksudkan boleh menyebabkan keadaan berbahaya.

8. **Pastikan pemegang dan permukaan pegangan kering, bersih dan bebas dari minyak dan gris.** Pemegang dan permukaan pegangan yang licin tidak membolehkan pengendalian dan kawalan selamat bagi alat dalam situasi yang tidak dijangka.
9. **Apabila menggunakan alat, jangan pakai sarung tangan kerja kain yang mungkin boleh kusut.** Kekusutan sarung tangan kerja kain pada bahagian yang bergerak boleh menyebabkan kecederaan diri.

Penggunaan dan penjagaan alat bateri

1. **Cas semula dengan pengecas yang ditentukan oleh pengeluar sahaja.** Pengecas yang sesuai untuk satu jenis pek bateri mungkin menimbulkan risiko kebakaran apabila digunakan dengan pek bateri lain.
2. **Gunakan alat kuasa dengan pek bateri yang ditentukan secara khusus sahaja.** Penggunaan mana-mana pek bateri lain mungkin menimbulkan risiko kecederaan dan kebakaran.
3. **Apabila pek bateri tidak digunakan, jauhkannya daripada objek besi lain, seperti klip kertas, duit syiling, paku, skru atau objek besi kecil lain, yang boleh membuat sambungan dari satu terminal ke yang lain.** Memintas terminal bateri bersama-sama mungkin menyebabkan lecuran atau kebakaran.
4. **Di bawah keadaan kasar, cecair mungkin dikeluarkan daripada bateri; elakkan sentuhan. Jika tersentuh secara tidak sengaja, siram dengan air. Jika cecair terkena mata, dapatkan bantuan perubatan di samping siraman air.** Cecair yang dikeluarkan dari bateri mungkin menyebabkan kegatalan atau lecuran.
5. **Jangan gunakan pek bateri atau alat yang rosak atau diubah suai.** Bateri yang rosak atau diubah suai mungkin menunjukkan perilaku yang tidak dijangka menyebabkan kebakaran, letupan atau risiko kecederaan.
6. **Jangan dedahkan pek bateri atau alat kepada api atau suhu yang berlebihan.** Pendedahan kepada api atau suhu melebihi 130 °C mungkin menyebabkan letupan.
7. **Ikut semua arahan pengecasan dan jangan cas pek bateri atau alat di luar julat suhu yang ditetapkan dalam arahan.** Mengecas dengan tidak betul atau pada suhu di luar julat yang dinyatakan mungkin merosakkan bateri dan meningkatkan risiko kebakaran.

Servis

1. **Pastikan alat kuasa anda diservis oleh orang yang berkelayakan dengan hanya menggunakan alat ganti yang sama.** Ini akan memastikan keselamatan alat kuasa dapat dikekalkan.
2. **Jangan servis pek bateri yang telah rosak.** Servis pek bateri hanya boleh dilakukan oleh pengeluar atau penyedia servis yang sah.
3. **Ikut arahan untuk melincir dan menukar aksesori.**

Amaran Keselamatan Pemangkas Tanaman Pagar Tanpa Kord

1. **Jauhkan semua anggota tubuh badan daripada bilah. Jangan keluarkan bahan yang dipotong atau pegang bahan yang hendak dipotong semasa bilah sedang bergerak.** Bilah terus berputar selepas suis dimatikan. Kelekaan seketika semasa mengendalikan pemangkas tanaman pagar boleh menyebabkan kecederaan diri yang serius.
2. **Bawa pemangkas tanaman pagar dengan memegang pemegang dan bilah dihentikan dan berhati-hati agar tidak mengoperasikan sebarang suis kuasa.** Membawa pemangkas tanaman pagar dengan betul akan mengurangkan risiko permulaan yang tidak disengajakan dan kecederaan diri yang diakibatkan oleh bilah.
3. **Apabila memotong atau menyimpan pemangkas tanaman pagar, sentiasa pasang penutup bilah.** Pengendalian pemangkas tanaman pagar yang betul akan mengurangkan kecederaan diri yang diakibatkan oleh bilah.
4. **Semasa membersihkan bahan yang tersangkut atau melakukan servis pada unit, pastikan semua suis kuasa dimatikan dan pek bateri dikeluarkan atau diputuskan sambungan.** Penggerakan pemangkas tanaman pagar yang tidak dijangka semasa membersihkan bahan yang tersangkut atau melakukan servis boleh mengakibatkan kecederaan diri yang serius.
5. **Pegang pemangkas tanaman pagar dengan permukaan mencengkam tertebat sahaja, kerana bilah boleh tersentuh wayar tersembunyi.** Bilah bersentuh wayar "hidup" mungkin menyebabkan bahagian logam terdedah pemangkas tanaman pagar "hidup" dan boleh memberi kejutan elektrik kepada pengendali.
6. **Jauhkan semua kord dan kabel kuasa dari kawasan pemotongan.** Kord dan kabel kuasa mungkin tersembunyi dalam tanaman pagar dan semak dan boleh terpotong secara tidak sengaja.
7. **Jangan gunakan pemangkas tanaman pagar ini dalam keadaan cuaca yang buruk terutamanya apabila terdapat risiko kilat.** Ini mengurangkan risiko disambar petir.

Arahan Keselamatan Tambahan

Penyediaan

1. **Periksa tanaman pagar atau semak untuk objek asing, seperti pagar wayar atau wayar tersembunyi sebelum mengendalikan alat.**
2. **Alat mestilah tidak digunakan oleh kanak-kanak atau individu muda yang di bawah umur 18 tahun.** Orang muda yang melebihi umur 16 tahun mungkin boleh dikecualikan daripada sekatan ini jika mereka telah melalui latihan di bawah penyeliaan pakar.
3. **Pengguna kali pertama perlu mendapatkan pengguna yang berpengalaman untuk menunjukkan mereka cara menggunakan alat.**

4. **Gunakan alat hanya jika anda berada dalam keadaan fizikal yang baik.** Jika anda penat, tumpuan anda akan berkurangan. Lebih berhati-hati pada penghujung hari bekerja. Lakukan semua kerja dengan tenang dan berhati-hati. Pengguna bertanggungjawab bagi semua kerosakan kepada pihak ketiga.
5. **Jangan sekali-kali gunakan alat semasa di bawah pengaruh alkohol, dadah atau ubat.**
6. **Sarung tangan kulit yang kukuh adalah sebahagian daripada peralatan asas alat dan mestilah sentiasa dipakai apabila bekerja dengannya.** Pakai juga kasut yang tegap dengan tapak anti gelincir.
7. **Sebelum memulakan kerja, periksa untuk memastikan alat berfungsi dengan baik dan selamat.** Pastikan pelindung dipasang dengan betul. Alat mestilah tidak digunakan melainkan telah dipasang sepenuhnya.

Operasi

1. **Pegang alat dengan kukuh menggunakan kedua-dua belah tangan apabila menggunakan alat.**
2. **Alat ini ditujukan untuk digunakan oleh pengendali di permukaan tanah.** Jangan gunakan alat di atas tangga atau sokongan lain yang tidak stabil.
3. **BAHAYA - Jauhkan tangan daripada bilah.** Sentuhan dengan bilah akan menyebabkan kecederaan diri yang serius.
4. **Pastikan anda berpijak dengan kukuh sebelum memulakan operasi.**
5. **Jangan kendalikan alat tanpa beban tanpa keperluan.**
6. **Matikan alat dengan segera dan keluarkan kartrij bateri jika bilah ricih bersentuhan dengan pagar atau objek keras yang lain.** Periksa bilah untuk melihat kerosakan, dan gantikan bilah dengan segera jika rosak.
7. **Sebelum memeriksa bilah ricih, uruskan kerosakan atau keluarkan bahan yang tersekat pada bilah ricih, sentiasa matikan alat dan keluarkan kartrij bateri.**
8. **Jangan sekali-kali halakan bilah ricih pada diri anda atau orang lain.**
9. **Jika bilah berhenti bergerak akibat objek asing yang tersangkut di antara bilah semasa operasi, matikan alat dan keluarkan kartrij bateri, dan kemudian keluarkan objek asing menggunakan alat seperti player.** Mengeluarkan objek asing menggunakan tangan boleh menyebabkan kecederaan oleh sebab bilah mungkin bergerak sebagai tindak balas mengeluarkan objek asing.
10. **Apabila anda menggunakan alat di tanah berlumpur, cerun basah, atau tempat yang licin, beri perhatian kepada pijakan anda.**
11. **Jangan menenggelamkan alat ke dalam lopak.**
12. **Jangan biarkan alat di luar rumah tanpa pengawasan di dalam hujan.**

Keselamatan elektrik dan bateri

1. Elakkan persekitaran yang bahaya. Jangan gunakan alat dalam lokasi sampah atau basah atau mendedahkannya kepada hujan. Air yang memasuki alat akan meningkatkan risiko kejutan elektrik.
2. **Jangan hapuskan bateri dengan membakarnya.** Sel mungkin meletup. Periksa dengan kod tempatan untuk kemungkinan arahan pelupusan khas.
3. **Jangan buka atau merosakkan bateri.** Elektrolit yang dibebaskan adalah menghakis dan boleh menyebabkan kerosakan kepada mata atau kulit. Ia mungkin toksik jika tertelan.
4. **Jangan cas bateri dalam hujan, atau di lokasi yang basah.**
5. **Jangan cas bateri di luar.**
6. **Jangan kendalikan pengecas, termasuk palam pengecas, dan terminal pengecas dengan tangan yang basah.**
7. **Jangan ganti bateri dengan tangan basah.**
8. **Jangan menggantikan bateri dalam hujan.**
9. **Jangan basuh terminal bateri dengan cecair seperti air, atau menenggelamkan bateri.** Jangan biarkan bateri yang dalam hujan, atau caj, penggunaan, atau simpan bateri di tempat yang lembap atau basah. Jika terminal basah atau cecair masuk ke dalam bateri, bateri boleh litar pintas terdapat risiko terlalu panas, terbakar, atau letupan.
10. **Selepas mengeluarkan bateri dari alat atau pengecas, pastikan memasang penutup bateri pada bateri dan simpannya di tempat yang kering.**
11. **Jika kartrij bateri basah, buang air di dalamnya dan kemudian lap dengan kain kering.** Keringkan kartrij bateri sepenuhnya di tempat kering sebelum digunakan.

Penyelenggaraan dan penyimpanan

1. **Matikan alat dan keluarkan kartrij bateri sebelum melakukan sebarang kerja penyelenggaraan.**
2. **Apabila memindahkan alat ke lokasi lain, termasuklah ketika bekerja, sentiasa keluarkan kartrij bateri dan pasang penutup bilah pada bilah ricih. Jangan sekali-kali membawa atau mengangkut alat semasa bilah berjalan.** Jangan sekali-kali pegang bilah dengan tangan anda.
3. **Bersihkan alat dan terutamanya bilah ricih selepas digunakan, dan sebelum meletakkan alat ke dalam tempat simpanan untuk masa yang lama.** Letakkan sedikit minyak pada bilah dan pasang penutup bilah.
4. **Simpan alat dengan penutup bilah terpasang, dalam bilik yang kering. Jauhkan daripada kanak-kanak. Jangan sekali-kali simpan alat di luar.**
5. **Jangan lupuskan bateri dengan membakar bateri tersebut. Sel mungkin meletup. Periksa dengan kod tempatan untuk kemungkinan arahan pelupusan khas.**

6. **Jangan buka atau merosakkan bateri. Elektrolit yang dibebaskan adalah menghakis dan boleh menyebabkan kerosakan kepada mata atau kulit. Ia mungkin toksik jika tertelan.**
7. **Jangan cas bateri dalam hujan, atau di lokasi yang basah.**
8. **Apabila menyimpan alat, elakkan cahaya matahari langsung dan hujan, dan simpan di tempat yang tidak panas atau lembap.**

SIMPAN ARAHAN INI.

⚠AMARAN: JANGAN biarkan keselesaan atau kebiasaan dengan produk (diperoleh dari kegunaan berulang) menggantikan pematuhan ketat terhadap peraturan keselamatan untuk produk yang ditetapkan. SALAH GUNA atau kegagalan mematuhi peraturan-peraturan keselamatan yang dinyatakan dalam manual arahan ini boleh menyebabkan kecederaan diri yang serius.

Arahan keselamatan penting untuk kartrij bateri

1. **Sebelum menggunakan kartrij bateri, baca semua arahan dan tanda amaran pada (1) pengecas bateri, (2) bateri, dan (3) produk menggunakan bateri.**
2. **Jangan buka atau cabut kartrij bateri.** Ia boleh mengakibatkan kebakaran, haba berlebihan, atau letupan.
3. **Jika masa operasi menjadi sangat pendek, berhenti operasi serta merta.** Ia mungkin menyebabkan risiko pemanasan lampau, melecur bahkan letupan.
4. **Jika elektrolit masuk ke dalam mata anda, bilas mata dengan air jernih dan dapatkan rawatan perubatan serta merta.** Ia mungkin menyebabkan kehilangan penglihatan.
5. **Jangan pintaskan kartrij bateri:**
 - (1) **Jangan sentuh terminal dengan bahan berkonduksi.**
 - (2) **Elakkan menyimpan kartrij bateri dalam bekas bersama-sama objek besi lain seperti paku, duit syiling, dll.**
 - (3) **Jangan dedahkan kartrij bateri kepada air atau hujan.**

Pintasan bateri boleh menyebabkan aliran kuasa yang besar, pemanasan lampau, melecur dan juga kerosakan.
6. **Jangan simpan dan gunakan alat dan kartrij bateri di lokasi yang suhunya mungkin mencapai atau melebihi 50 °C (122 °F).**
7. **Jangan bakar kartrij bateri walaupun jika ia rosak teruk atau haus sepenuhnya.** Kartrij bateri boleh meletup dalam kebakaran.
8. **Jangan paku, potong, pecahkan, buang, jatuhkan kartrij bateri, atau tekan objek keras pada kartrij bateri.** Perbuatan sedemikian boleh mengakibatkan kebakaran, haba berlebihan, atau letupan.
9. **Jangan gunakan bateri yang rosak.**

10. **Bateri litium ion yang terkandung adalah tertakluk kepada keperluan Perundangan Barangan Berbahaya.**
Bagi pengangkutan komersil cth. oleh pihak ketiga, ejen penghantar, keperluan khas pada pembungkusan dan pelabelan mestilah diperhatikan.
Bagi persediaan item yang dihantar, berunding dengan pakar bahan berbahaya adalah diperlukan. Sila juga perhatikan sebolehnya peraturan kebangsaan yang lebih terperinci. Lekatkan atau balut bahagian terbuka dan pek bateri supaya ia tidak bergerak dalam pembungkusan.
11. **Apabila melupuskan kartrij bateri, keluarkan ia daripada alat dan lupuskan ia di tempat selamat. Ikut peraturan tempatan anda mengenai pelupusan bateri.**
12. **Gunakan bateri hanya dengan produk yang ditentukan oleh Makita.** Memasang bateri kepada produk yang tidak patuh mungkin menyebabkan kebakaran, pemanasan lampau, atau kebocoran elektrolit.
13. **Jika alat tidak digunakan untuk tempoh masa yang lama, bateri mesti dikeluarkan daripada alat.**
14. **Semasa dan selepas penggunaan, kartrij bateri mungkin ada haba yang boleh menyebabkan terbakar atau suhu rendah terbakar. Beri perhatian kepada pengendalian kartrij bateri yang panas.**
15. **Jangan sentuh terminal alat itu selepas digunakan kerana ia mungkin panas menyebabkan terbakar.**
16. **Jangan biarkan cip, habuk, atau tanah terperangkap ke dalam terminal, lubang, dan alur cahaya kartrij bateri.** Ia mungkin menyebabkan pemanasan, terbakar, meletup dan pincang tugas alat atau kartrij bateri, seterusnya menyebabkan lecur atau kecederaan diri.
17. **Melainkan alat ini menyokong penggunaan yang hampir dari talian kuasa elektrik voltan tinggi, jangan gunakan kartrij bateri berhampiran talian kuasa elektrik voltan tinggi.** Ia mungkin menyebabkan kerosakan atau pecah pada alat atau kartrij bateri.
18. **Jauhkan bateri daripada kanak-kanak.**

SIMPAN ARAHAN INI.

⚠PERHATIAN: Hanya gunakan bateri asli Makita. Penggunaan bateri tidak asli Makita, atau bateri yang telah diubah suai, mungkin menyebabkan bateri meletup menyebabkan kebakaran, kecederaan diri dan kerosakan. Ia juga membatalkan jaminan Makita untuk alat Makita dan pengecas.

Tip untuk mengekalkan hayat bateri maksimum

1. **Cas kartrij bateri sebelum ternyahcas sepenuhnya. Sentiasa hentikan operasi alat dan cas kartrij bateri apabila anda menyedari kurang kuasa alat.**
2. **Jangan cas semula kartrij bateri yang dicas sepenuhnya. Terlebih cas memendekkan hayat servis bateri.**
3. **Cas kartrij bateri dengan suhu bilik pada 10 °C - 40 °C (50 °F - 104 °F). Biarkan kartrij bateri yang panas menyejuk sebelum mengecasnya.**
4. **Apabila tidak menggunakan kartrij bateri, tanggalkannya dari alat atau pengecas.**
5. **Cas kartrij bateri jika anda tidak gunakannya untuk tempoh yang lama (lebih daripada enam bulan).**

KETERANGAN FUNGSI

⚠PERHATIAN: Sentiasa pastikan alat dimatikan dan kartrij bateri dikeluarkan sebelum menyelaras atau menyemak fungsi pada alat.

Memasang atau mengeluarkan kartrij bateri

⚠PERHATIAN: Sentiasa matikan alat sebelum memasang atau mengeluarkan kartrij bateri.

⚠PERHATIAN: Pegang alat dan kartrij bateri dengan kukuh apabila memasang atau mengeluarkan kartrij bateri. Gagal untuk memegang alat dan kartrij bateri dengan kukuh mungkin menyebabkan mereka terlepas daripada tangan anda dan mengakibatkan kerosakan kepada alat dan kartrij bateri dan kecederaan peribadi.

► **Rajah1:** 1. Penunjuk merah 2. Butang 3. Kartrij bateri

Untuk mengeluarkan kartrij bateri, luncurkan ia daripada alat apabila meluncurkan butang di hadapan kartrij.

Untuk memasang kartrij bateri, selaraskan lidah pada kartrij bateri dengan alur pada perumahan dan gelincirkan ia ke tempatnya. Masukkan ia sepenuhnya sehingga ia terkunci di tempatnya dengan klik kecil. Jika anda boleh melihat penunjuk merah seperti yang ditunjukkan dalam rajah, ia tidak dikunci sepenuhnya.

⚠PERHATIAN: Sentiasa pasang kartrij bateri sepenuhnya sehingga penunjuk merah tidak boleh dilihat. Jika tidak, ia mungkin jatuh tanpa sengaja daripada alat, menyebabkan kecederaan kepada anda atau seseorang di sekeliling anda.

⚠PERHATIAN: Jangan pasang kartrij bateri secara paksa. Jika kartrij tidak meluncur dengan mudah, ia tidak dimasukkan dengan betul.

Menunjukkan kapasiti bateri yang tinggal

Tekan butang semak pada kartrij bateri untuk menunjukkan kapasiti bateri yang tinggal. Lampu penunjuk menyala untuk beberapa saat.

► **Rajah2:** 1. Lampu penunjuk 2. Butang semak

Lampu penunjuk			Kapasiti yang tinggal
Dinyalakan	Mati	Berkelip	
			75% hingga 100%
			50% hingga 75%
			25% hingga 50%
			0% hingga 25%
			Cas bateri.
			Bateri mungkin telah rosak.

NOTA: Bergantung kepada keadaan penggunaan dan suhu persekitaran, penunjuk mungkin berbeza sedikit daripada kapasiti sebenar.

NOTA: Lampu penunjuk (kiri jauh) pertama akan berkedip apabila sistem perlindungan bateri berfungsi.

Sistem perlindungan alat / bateri

Alat dilengkapi dengan sistem perlindungan alat/bateri. Sistem ini memotong kuasa kepada motor secara automatik untuk memanjangkan hayat alat dan bateri. Alat akan berhenti secara automatik ketika operasi jika alat diletakkan di bawah salah satu keadaan yang berikut:

► **Rajah3:** 1. Lampu amaran

Lampu amaran			Status
Warna	Hidup	Berkelip	
Hijau			Terlebih beban
Merah	(alat) / (bateri)		Terlalu panas
Merah			Terlebih cas

NOTIS: Bergantung pada keadaan penggunaan, alat berhenti secara automatik tanpa sebarang petunjuk jika dahan atau serpihan tersangkut pada alat. Dalam situasi ini, matikan alat dan keluarkan kartrij bateri dan kemudian keluarkan dahan atau serpihan yang tersangkut dengan menggunakan alat seperti player. Selepas mengeluarkan dahan atau serpihan, pasang kartrij bateri dan hidupkan semula alat.

Perlindungan lebih beban

Jika alat atau bateri terlebih beban kerana dahan atau serpihan lain yang tersangkut, alat akan berhenti secara automatik dan lampu amaran mula berkelip hijau.

Dalam situasi ini, matikan alat dan hentikan penggunaan yang menyebabkan alat menjadi terlebih beban. Kemudian hidupkan alat untuk mula semula.

Perlindungan terlalu panas untuk alat atau bateri

Jika alat atau kartrij bateri terlalu panas, alat itu berhenti secara automatik. Apabila alat terlampau panas, lampu amaran menyala dengan warna merah. Apabila kartrij bateri terlampau panas, lampu amaran menyala dengan warna merah. Biarkan alat dan/atau bateri sejuk sebelum menghidupkan semula alat.

Perlindungan lebih nyahcas

Apabila kapasiti bateri menjadi rendah, alat akan berhenti secara automatik dan lampu amaran mula berkelip dengan cahaya merah.

Jika alat tidak beroperasi walaupun suis telah dioperasikan, keluarkan kartrij bateri daripada alat dan casnya.

Perlindungan terhadap punca lain

Sistem perlindungan juga direka bentuk untuk punca lain yang boleh merosakkan alat dan membolehkan alat berhenti secara automatik. Ambil semua langkah berikut untuk membuang punca, apabila alat telah dibawa kepada berhenti sementara atau berhenti beroperasi.

1. Matikan alat dan kemudian hidupkan alat lagi untuk mula semula.
2. Cas bateri atau gantikan bateri dengan bateri yang telah dicas.
3. Biarkan mesin dan bateri menyejuk.

Jika tiada penambahbaikan boleh didapati melalui pemulihan sistem perlindungan, maka hubungi Pusat Servis Makita tempatan anda.

Tindakan suis kuasa

AMARAN: Untuk keselamatan anda, alat ini dilengkapi dengan tuil yang mengelakkan alat daripada bermula secara tidak sengaja. **JANGAN SEKALI-KALI** gunakan alat jika ia berjalannya apabila anda hanya menarik pemacu suis tanpa menekan tuil. Pulangkan alat kepada pusat servis kami yang diiktiraf untuk pembaikan yang betul **SEBELUM** penggunaan seterusnya.

AMARAN: **JANGAN SEKALI-KALI** lekatkan atau ingkar kepada tujuan dan fungsi tuil.

AMARAN: Sebelum memasang kartrij bateri pada alat, sentiasa periksa untuk melihat sama ada pemacu suis dan tuil bergerak dengan betul dan kembali ke posisi "OFF" apabila dilepaskan. Mengendalikan alat dengan suis yang tidak bergerak dengan betul boleh menyebabkan hilang kawalan dan kecederaan diri yang serius.

⚠️ PERHATIAN: Jangan sekali-kali letakkan jari anda pada pemacu suis apabila membawa. Alat mungkin mula secara tidak sengaja dan menyebabkan kecederaan.

NOTIS: Jangan tarik pemacu suis dengan kuat tanpa menekan tuil. Ini boleh menyebabkan suis rosak.

Tekan butang kuasa utama untuk menghidupkan alat. Untuk mematikan alat, tekan dan tahan butang kuasa utama sehingga penunjuk kelajuan mati.

► **Rajah4:** 1. Butang kuasa utama

NOTA: Lampu amaran berkelip jika pemacu suis ditarik semasa keadaan tidak boleh beroperasi. Lampu amaran akan berkelip jika anda menghidupkan suis kuasa utama semasa menahan tuil dan pemacu suis ke bawah.

NOTA: Alat ini mempunyai fungsi padam secara automatik. Untuk mengelakkan permulaan yang tidak disengajakan, suis kuasa utama akan dimatikan secara automatik apabila pemacu suis tidak ditarik untuk tempoh tertentu selepas suis kuasa utama dihidupkan.







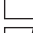


Untuk mengelakkan pemacu suis daripada ditarik secara tidak sengaja, tuil disediakan. Untuk memulakan alat, tarik pemacu suis depan dan kemudian tarik pemacu suis belakang sambil menekan tuil. Apabila anda melepaskan mana-mana pemacu suis, alat akan berhenti.

► **Rajah5:** 1. Tuil 2. Pemacu suis belakang 3. Pemacu suis depan

Pelarasan kelajuan

Anda boleh melaraskan kelajuan alat dengan menekan butang kuasa utama. Setiap kali anda menekan butang kuasa utama, tahap kelajuan akan berubah.

► **Rajah6:** 1. Penunjuk kelajuan 2. Butang kuasa utama

Penunjuk kelajuan	Mod	Kelajuan pukulan
3  2  1 	Tinggi	5,000 min ⁻¹
3  2  1 	Sederhana	3,600 min ⁻¹
3  2  1 	Rendah	2,000 min ⁻¹

Butang pembalik untuk mengeluarkan serpihan

⚠️ AMARAN: Jika dahan atau serpihan yang tersangkut tidak boleh ditanggalkan dengan fungsi terbalik, matikan alat serta tanggalkan kartrij bateri dan kemudian tanggalkan dahan atau serpihan yang tersangkut menggunakan alat seperti **player**. Kegagalan untuk mematikan alat dan menanggalkan kartrij bateri mungkin menyebabkan kecederaan diri yang serius daripada permulaan tanpa sengaja. Menanggalkan dahan atau serpihan yang tersangkut menggunakan tangan mungkin menyebabkan kecederaan kerana bilah ricih mungkin bergerak sebagai tindak balas untuk menanggalkannya.

Alat ini mempunyai butang pembalik untuk mengubah arah pergerakan bilah ricih. Ia hanya untuk menanggalkan dahan dan serpihan yang tersangkut dalam alat.

Untuk membalikkan pergerakan bilah ricih, tekan butang pembalik apabila bilah ricih berhenti, kemudian tarik pemacu suis depan dan kemudian tarik pemacu suis belakang semasa menekan tuil. Penunjuk kelajuan mula berkelip dan bilah ricih bergerak dalam arah terbaik.

Apabila dahan atau serpihan yang tersangkut telah ditanggalkan, alat akan kembali kepada pergerakan biasa dan penunjuk kelajuan akan berhenti berkelip dan menyala.

► **Rajah7:** 1. Penunjuk kelajuan 2. Butang pembalik

NOTA: Jika dahan dan serpihan yang tersangkut tidak boleh ditanggalkan, lepaskan pemacu suis, kemudian tekan butang pembalik dan kemudian tarik pemacu suis sehingga ia ditanggalkan.

NOTA: Jika anda mengetik butang pembalik semasa bilah ricih masih bergerak, alat akan berhenti dan bersedia untuk pergerakan terbalik.

Fungsi elektronik

Alat ini dilengkapi dengan fungsi elektronik untuk memudahkan operasi.

- Kawalan kelajuan malar
Fungsi kawalan kelajuan memberikan kelajuan putaran malar tanpa mengira keadaan beban.
- Brek elektrik
Alat ini dilengkapi dengan brek elektrik. Jika alat secara konsisten gagal untuk menghentikan bilah ricih dengan cepat selepas melepaskan pemacu suis, hantar mesin ke Pusat Servis Makita yang Sah.
- Fungsi pencegahan mula semula secara tidak sengaja
Walaupun jika anda memasang kartrij bateri semasa menarik pemacu suis, alat tidak bermula. Untuk memulakan alat, pertama sekali lepaskan pemacu suis dan kemudian tarik pemacu suis.

PEMASANGAN

⚠️PERHATIAN: Sentiasa pastikan alat dimatikan dan kartrij bateri dikeluarkan sebelum menjalankan sebarang kerja pada alat.

⚠️PERHATIAN: Apabila menggantikan bilah ricih, sentiasa pakai sarung tangan supaya tangan anda tidak tersentuh secara langsung dengan bilah.

NOTIS: Apabila menggantikan bilah ricih, jangan lap gris daripada gear dan engkol.

Memasang atau mengeluarkan bilah ricih

⚠️PERHATIAN: Pasangkan penutup bilah sebelum mengeluarkan atau memasang bilah ricih.

Anda boleh memasang bilah ricih 600 mm atau 750 mm ke alat anda.

NOTA: Jika anda menukar bilah ricih kepada panjang yang berbeza, gantikan penadah serpihan dengan yang padan dengan bilah.

1. Tanggalkan empat skru (untuk UH013G) atau lima skru (untuk UH014G), dan kemudian tanggalkan penadah serpihan dari alat.

Untuk UH013G

► **Rajah8:** 1. Penadah serpihan 2. Skru

Untuk UH014G

► **Rajah9:** 1. Penadah serpihan 2. Skru

2. Letakkan alat terbalik dan kemudian tanggalkan enam bolt.

► **Rajah10:** 1. Bolt

3. Tanggalkan penutup dan plat.

► **Rajah11:** 1. Penutup 2. Plat

NOTA: Plat mungkin tertinggal pada penutup.

4. Tanggalkan rod dan galas.

► **Rajah12:** 1. Rod 2. Galas

NOTA: Rod atau galas mungkin tertinggal pada penutup.

5. Tanggalkan tiga skru, tiga lengan dan pad langkan, dan kemudian tanggalkan bilah ricih.

► **Rajah13:** 1. Skru 2. Lengan 3. Pad langkan 4. Bilah ricih

NOTIS: Berhati-hati supaya tidak menghilangkan skru.

6. Keluarkan penutup bilah dan kemudian pasang penutup bilah pada bilah ricih baharu.

► **Rajah14**

7. Laraskan engkol supaya dua lubang dibariskan pada garis penjajaran.

► **Rajah15:** 1. Lubang 2. Garis penjajaran

8. Jajarkan tonjolan pada bilah ricih secara menegak pada kedudukan yang sama.

► **Rajah16:** 1. Tonjolan

9. Masukkan skru yang ditanggalkan dalam langkah 5 ke dalam lubang pada penutup bilah dan bilah ricih untuk menetapkan bilah ricih secara sementara, dan kemudian pasang pad langkan pada bilah ricih.

► **Rajah17:** 1. Skru 2. Pad langkan 3. Lubang

10. Masukkan tonjolan pada bilah ricih ke lubang pada rod, kemudian jajarkan kedudukan pad langkan dengan lubang pada alat. Pasangkan dua lengan baharu.

► **Rajah18:** 1. Pad langkan 2. Tonjolan 3. Lubang 4. Lengan

NOTIS: Sapukan sedikit gris pada pinggir luaran lubang rod.

NOTIS: Berhati-hati supaya tidak menghilangkan lengan.

11. Jajarkan lubang pada lengan dan bilah ricih dengan lubang pada alat dan kemudian ketatkan dua skru untuk menetapkan bilah ricih secara sementara.

► **Rajah19:** 1. Skru

12. Keluarkan skru yang dimasukkan ke dalam lubang pada bilah ricih pada langkah 9 dan kemudian masukkan penutup bilah.

► **Rajah20:** 1. Skru

13. Pasangkan lengan baharu.

► **Rajah21:** 1. Lengan

14. Ketatkan skru bersama dengan lengan untuk menetapkan bilah ricih.

► **Rajah22:** 1. Skru

15. Ketatkan skru yang ditetapkan sementara dalam langkah 11 dengan kukuh.

16. Pasangkan galas dan rod.

► **Rajah23:** 1. Rod 2. Lubang kecil 3. Galas

NOTIS: Sapukan sedikit gris pada pinggir luaran lubang kecil rod.

NOTIS: Pastikan tonjolan pada bilah ricih muat dalam lubang kecil pada rod.

17. Pasangkan plat.

► **Rajah24:** 1. Tonjolan 2. Plat

NOTIS: Pastikan tonjolan pada bilah ricih muat dalam lubang pada plat.

18. Pasangkan penutup dan kemudian ketatkan enam bolt.

► **Rajah25:** 1. Bolt 2. Penutup

19. Pasangkan penadah serpihan pada alat dengan mengetatkan empat skru (untuk UH013G) atau lima skru (untuk UH014G).

Untuk UH013G

► **Rajah26:** 1. Penadah serpihan 2. Skru

Untuk UH014G

► **Rajah27:** 1. Penadah serpihan 2. Skru

NOTIS: Jika bilah ricih tidak bergerak dengan lancar, bilah ricih tidak bersambung dengan rod dengan betul. Pasang bilah ricih semula.

NOTIS: Jika bahagian selain daripada bilah ricih seperti rod telah haus, minta Pusat Servis Makita yang Diiktiraf untuk penggantian bahagian atau pembaikan.

NOTIS: Jangan tebang pokok yang mati atau objek keras yang serupa. Melakukan hal tersebut boleh merosakkan alat.

NOTIS: Jangan pangkas rumput atau rumpai semasa menggunakan bilah ricih. Bilah ricih mungkin tersangkut pada rumput atau rumpai.

Menanggalkan atau memasang penadah serpihan

⚠️PERHATIAN: Apabila memasang atau mengeluarkan penadah serpihan, sentiasa pakai sarung tangan supaya tangan tidak tersentuh secara langsung dengan bilah ricih.

Penadah serpihan mengumpulkan daun yang dipotong dan menjadikan pembersihan selepas pemotongan lebih mudah.

Untuk menanggalkan penadah serpihan, tanggalkan empat skru (untuk UH013G) atau lima skru (untuk UH014G), dan kemudian tanggalkan penadah serpihan dari alat. Untuk memasang penadah serpihan, ikut prosedur penanggalkan secara terbalik.

Untuk UH013G

► **Rajah28:** 1. Penadah serpihan 2. Skru

Untuk UH014G

► **Rajah29:** 1. Penadah serpihan 2. Skru

Pegang genggam depan dengan tangan kanan anda dan genggam belakang dengan tangan kiri anda. Tarik pemicu suis depan, kemudian tarik pemicu suis belakang sambil menekan tuil, dan kemudian gerakkan alat ke depan.

► **Rajah31**

Untuk operasi asas, condongkan bilah ricih ke arah pemangkasan dan gerakkan ia dengan tenang dan perlahan pada kadar kelajuan 3 hingga 4 saat semeter.

► **Rajah32**

Untuk memotong bahagian atas tanaman pagar dengan sama rata, ikat tali pada ketinggian yang dikehendaki dan pangkas di sepanjangnya.

► **Rajah33**

Penadah serpihan mengumpulkan daun yang dipotong dan menjadikan pembersihan selepas pemotongan lebih mudah.

► **Rajah34**

Untuk memotong sisi tanaman pagar dengan sama rata, potong dari bawah ke atas.

► **Rajah35**

Apabila memangkas untuk membuat bentuk bulat (memangkas kayu pak atau rhododendron dsb.), pangkas dari akar ke atas untuk hasil yang cantik.

► **Rajah36**

OPERASI

⚠️AMARAN: Jauhkan tangan daripada bilah ricih.

⚠️PERHATIAN: Elakkan mengendalikan alat semasa cuaca panas selagi boleh dipraktikkan. Apabila mengendalikan alat, berhati-hati dengan keadaan fizikal anda.

⚠️PERHATIAN: Berhati-hati supaya tidak menyentuh pagar besi atau objek keras yang lain tanpa sengaja semasa memangkas. Bilah ricih boleh patah dan menyebabkan kecederaan.

⚠️PERHATIAN: Berhati-hati supaya tidak membenarkan bilah ricih terkena tanah. Alat mungkin menyentak dan menyebabkan kecederaan.

⚠️PERHATIAN: Mencapai secara berlebihan dengan pemangkas tanaman pagar, terutamanya dari tangga adalah sangat berbahaya. Jangan bekerja sambil berdiri di atas apa-apa yang bergoyang atau tidak kukuh.

NOTIS: Jangan cuba memotong dahan yang lebih tebal daripada 10 mm diameter dengan alat. Potong dahan kepada 10 cm lebih rendah daripada ketinggian pemotongan menggunakan pemotong dahan sebelum menggunakan alat.

► **Rajah30:** (1) Ketinggian pemotongan (2) 10 cm

PENYELENGGARAAN

⚠️PERHATIAN: Sentiasa pastikan alat dimatikan dan kartrij bateri dikeluarkan sebelum cuba menjalankan pemeriksaan atau penyelenggaraan.

Untuk mengekalkan KESELAMATAN dan KEBOLEHPERCAYAAN produk, pembaikan, apa-apa penyelenggaraan atau penyesuaian lain perlu dilakukan oleh Kilang atau Pusat Servis Makita yang Diiktiraf, sentiasa gunakan alat ganti Makita.

Membersihkan alat

Bersihkan alat dengan menyapu habuk dengan kain kering atau kain yang dicelup dalam air sabun dan diperah.

NOTIS: Jangan gunakan petrol, benzin, pencair, alkohol atau bahan yang serupa. Ia boleh menyebabkan perubahan warna, bentuk atau keretakan.

Penyelenggaraan bilah ricih

Sebelum operasi atau sejam sekali semasa operasi, sapukan minyak berkelikatan rendah (minyak mesin, atau minyak pelincir jenis semburan) pada bilah ricih.

► **Rajah37**

Selepas operasi, keluarkan habuk daripada bilah ricih dengan brus berwayar, lapkannya dengan kain dan kemudian sapukan minyak berkelikatan rendah (minyak mesin, atau minyak pelincir jenis semburan) pada bilah ricih.

► **Rajah38**

NOTIS: Jangan basuh bilah ricih dengan air. Melakukan hal tersebut boleh menyebabkan karat atau merosakkan alat.

NOTIS: Kotoran dan karatan menyebabkan geseran berlebihan bilah dan memendekkan masa pengendalian bagi setiap pengecasan bateri.

Penyimpanan

Lubang cangkuk pada bawah alatan memudahkan untuk menggantung alat pada paku atau skru di dinding.

Keluarkan kartrij bateri dari alat dan pasang penutup bilah pada bilah ricih agar bilah tidak terdedah. Simpan alat jauh daripada kanak-kanak. Simpan alat di tempat yang tidak terdedah kepada kelembapan atau hujan.

► **Rajah39:** 1. Lubang

Pengisaran bilah ricih

NOTIS: Jika bilah ricih telah berubah bentuk disebabkan oleh pengisaran, gantikan bilah ricih dengan yang baharu.

1. Pasang kartrij bateri pada alat.
2. Hidupkan dan mulakan alat supaya bilah atas dan bilah bawah diletakkan berselang-seli.

► **Rajah40**

3. Matikan alat dan tanggalkan kartrij bateri daripada alat.

4. Tetapkan sudut kikir kepada 45°, dan kisar bilah atas dari 3 arah dengan kikir.

► **Rajah41:** (1) Kikir (2) 45°

PERHATIAN: Sebelum mengisar bilah ricih, pastikan alat ditutup dan kartrij bateri ditanggalkan daripada alat.

5. Letakkan alat terbalik dan kemudian tanggalkan gerigis daripada bilah ricih dengan batu sagat.

► **Rajah42:** 1. Batu sagat

6. Tetapkan sudut kikir kepada 45°, dan kisar bilah bawah dari 3 arah dengan kikir.

7. Kembalikan alat kepada kedudukan normal dan kemudian tanggalkan gerigis daripada bilah ricih dengan batu sagat.

Pelinciran gris

Selang pelinciran: Setiap 50 jam operasi

1. Tanggalkan bolt daripada lubang untuk pelinciran.

► **Rajah43:** 1. Bolt

2. Tanggalkan penutup daripada saluran gris. Jajarkan salur keluar bekas gris dengan lubang pada penutup dan kemudian tekan salur keluar bekas gris ke dalam lubang.

► **Rajah44:** 1. Saluran gris 2. Lubang

3. Sapukan gris pada alat (Kira-kira 5 g sebagai panduan).

4. Ketatkan bolt.

PENYELESAIAN MASALAH

Sebelum meminta pembaikan, jalankan pemeriksaan sendiri terlebih dahulu. Jika anda mendapati masalah tidak diterangkan dalam manual, jangan cuba untuk menanggalkan alat. Sebaliknya, tanya Pusat Servis Sah Makita, sentiasa gunakan alat ganti Makita untuk pembaikan.

Keadaan keabnormalan	Sebab yang mungkin (pincang tugas)	Remedi
Motor tidak berjalan.	Kartrij bateri tidak dipasang.	Pasang kartrij bateri.
	Masalah bateri (voltan rendah)	Cas semula bateri. Jika mengecap tidak berkesan, gantikan bateri.
	Sistem pacuan tidak berfungsi dengan betul.	Tanya pusat servis sah tempatan anda untuk pembaikan.
Motor berhenti berfungsi selepas digunakan seketika.	Tahap bateri terlalu rendah.	Cas semula bateri. Jika mengecap tidak berkesan, gantikan bateri.
	Pemanasan melampau.	Berhenti menggunakan alat untuk membenarkan ia sejuk.
Alat tidak mencapai RPM maksimum.	Bateri tidak dipasang dengan betul.	Pasang kartrij bateri seperti yang diterangkan dalam manual ini.
	Kuasa bateri berkurangan.	Cas semula bateri. Jika mengecap tidak berkesan, gantikan bateri.
	Sistem pacuan tidak berfungsi dengan betul.	Tanya pusat servis sah tempatan anda untuk pembaikan.
Bilah ricih tidak bergerak: ⇒ hentikan mesin serta-merta!	Objek asing terperangkap antara bilah ricih.	1. Gunakan butang pembalik. 2. Matikan alat serta tanggalkan kartrij bateri dan kemudian tanggalkan objek asing menggunakan alat seperti playar.
	Sistem pacuan tidak berfungsi dengan betul.	Tanya pusat servis sah tempatan anda untuk pembaikan.
Getaran tidak normal: ⇒ hentikan mesin serta-merta!	Bilah ricih pecah, bengkok atau haus.	Gantikan bilah ricih.
	Sistem pacuan tidak berfungsi dengan betul.	Tanya pusat servis sah tempatan anda untuk pembaikan.
Bilah ricih dan motor tidak boleh berhenti: ⇒ Keluarkan bateri serta-merta!	Pincang elektrik.	Keluarkan bateri dan tanya pusat servis sah setempat anda untuk pembaikan.

AKSESORI PILIHAN

⚠PERHATIAN: Aksesori-aksesori atau lampiran-lampiran ini adalah disyorkan untuk digunakan dengan alat Makita anda yang ditentukan dalam manual ini. Penggunaan mana-mana aksesori-aksesori atau lampiran-lampiran lain mungkin mengakibatkan risiko kecederaan kepada orang. Hanya gunakan aksesori atau lampiran untuk tujuan yang dinyatakannya.

Jika anda memerlukan sebarang bantuan untuk maklumat lebih lanjut mengenai aksesori ini, tanya Pusat Perkhidmatan Makita tempatan anda.

- Pemasangan bilah ricih
- Penadah serpihan
- Saluran gris
- Bateri dan pengecas asli Makita

NOTA: Beberapa item dalam senarai mungkin disertakan dalam pakej alat sebagai aksesori standard. Item mungkin berbeza mengikut negara.

THÔNG SỐ KỸ THUẬT

Kiểu máy:	UH013G	UH014G
Chiều dài lưỡi cắt	600 mm	750 mm
Số nhát cắt trên một phút	2.000 / 3.600 / 5.000 min ⁻¹	
Chiều dài tổng thể	1.085 mm	1.225 mm
Điện áp định mức	D.C. 36 V - tối đa 40 V	
Khối lượng tịnh	3,9 - 4,5 kg	4,0 - 4,7 kg
Cấp bảo vệ	IPX4	

- Do chương trình nghiên cứu và phát triển liên tục của chúng tôi nên các thông số kỹ thuật trong đây có thể thay đổi mà không cần thông báo trước.
- Các thông số kỹ thuật có thể thay đổi tùy theo từng quốc gia.
- Khối lượng có thể khác nhau tùy thuộc vào (các) phụ kiện, bao gồm cả hộp pin. Tổ hợp nhẹ nhất và nặng nhất, theo Quy trình EPTA 01/2014, được trình bày trong bảng.

Hộp pin và sạc pin có thể áp dụng

Hộp pin	BL4020* / BL4025* / BL4040* / BL4050F * : Pin được khuyến dùng
Bộ sạc	DC40RA / DC40RB / DC40RC

- Một số hộp pin và sạc pin được nêu trong danh sách ở trên có thể không khả dụng tùy thuộc vào khu vực cư trú của bạn.

⚠ CẢNH BÁO: Chỉ sử dụng hộp pin và sạc pin được nêu trong danh sách ở trên. Việc sử dụng bất cứ hộp pin và sạc pin nào khác có thể gây ra thương tích và/hoặc hỏa hoạn.




Nguồn điện kết nối bằng dây được khuyến dùng

Bộ cấp nguồn di động đeo vai	PDC01 / PDC1200
------------------------------	-----------------

- (Các) Nguồn điện kết nối bằng dây được nêu trong danh sách ở trên có thể không khả dụng tùy thuộc vào khu vực cư trú của bạn.
- Trước khi sử dụng nguồn điện kết nối bằng dây, hãy đọc hướng dẫn và nhãn cảnh báo có trên chúng.

Ký hiệu

Phản dưới đây cho biết các ký hiệu có thể được dùng cho thiết bị. Đảm bảo rằng bạn hiểu rõ ý nghĩa của các ký hiệu này trước khi sử dụng.

	Đọc tài liệu hướng dẫn.
	NGUY HIỂM - Giữ tay tránh xa lưỡi cắt.
	Mang kính an toàn.



Chỉ dành cho các quốc gia EU
Do có các thành phần nguy hiểm bên trong thiết bị điện và điện tử, ắc quy và pin thải bỏ nên có thể có tác động không tốt đến môi trường và sức khỏe con người.
Không vứt bỏ các thiết bị điện và điện tử hoặc pin với rác thải sinh hoạt!
Theo Chỉ thị của Châu Âu về thiết bị điện và điện tử thải bỏ và về pin và ắc quy và pin và ắc quy thải bỏ, cũng như sự thích ứng của chúng với luật pháp quốc gia, các thiết bị điện, pin và ắc quy thải phải được cất giữ riêng biệt và chuyển đến một điểm thu gom rác thải đô thị riêng, hoạt động theo các quy định về bảo vệ môi trường. Điều này được biểu thị bằng biểu tượng thùng rác có bánh xe gạch chéo được đặt trên thiết bị.

Mục đích sử dụng

Dụng cụ này được dùng để tỉa hàng rào.

CẢNH BÁO AN TOÀN

Cảnh báo an toàn chung dành cho dụng cụ máy

⚠CẢNH BÁO: Xin đọc tất cả các cảnh báo an toàn, hướng dẫn, minh họa và thông số kỹ thuật đi kèm với dụng cụ máy này. Việc không tuân theo các hướng dẫn được liệt kê dưới đây có thể dẫn đến điện giật, hỏa hoạn và/hoặc thương tích nghiêm trọng.

Lưu giữ tất cả cảnh báo và hướng dẫn để tham khảo sau này.

Thuật ngữ “dụng cụ máy” trong các cảnh báo đề cập đến dụng cụ máy (có dây) được vận hành bằng nguồn điện chính hoặc dụng cụ máy (không dây) được vận hành bằng pin của bạn.

An toàn tại nơi làm việc

- Giữ nơi làm việc sạch sẽ và có đủ ánh sáng.** Nơi làm việc bừa bộn hoặc tối thường dễ gây ra tai nạn.
- Không vận hành dụng cụ máy trong môi trường cháy nổ, ví dụ như môi trường có sự hiện diện của các chất lỏng, khí hoặc bụi dễ cháy.** Các dụng cụ máy tạo tia lửa điện có thể làm bụi hoặc khí bốc cháy.
- Giữ trẻ em và người ngoài tránh xa nơi làm việc khi đang vận hành dụng cụ máy.** Sự xao lãng có thể khiến bạn mất khả năng kiểm soát.

An toàn về Điện

- Phích cắm của dụng cụ máy phải khớp với ổ cắm.** Không được sửa đổi phích cắm theo bất kỳ cách nào. Không sử dụng bất kỳ phích chuyển đổi nào với các dụng cụ máy được nối đất (tiếp đất). Các phích cắm còn nguyên vẹn và ổ cắm phù hợp sẽ giảm nguy cơ điện giật.
- Tránh đề cơ thể tiếp xúc với các bề mặt nóng đất hoặc tiếp đất như đường ống, bộ tản nhiệt, bếp ga và tủ lạnh.** Nguy cơ bị điện giật sẽ tăng lên nếu cơ thể bạn được nối đất hoặc tiếp đất.
- Không để dụng cụ máy tiếp xúc với mưa hoặc trong điều kiện ẩm ướt.** Nước lọt vào dụng cụ máy sẽ làm tăng nguy cơ điện giật.
- Không lạm dụng dây điện.** Không được phép sử dụng dây để mang, kéo hoặc tháo phích cắm dụng cụ máy. Giữ dây tránh xa nguồn nhiệt, dầu, các mép sắc hoặc các bộ phận chuyển động. Dây bị hỏng hoặc bị rối sẽ làm tăng nguy cơ điện giật.
- Khi vận hành dụng cụ máy ngoài trời, hãy sử dụng dây kéo dài phù hợp cho việc sử dụng ngoài trời.** Việc dùng dây phù hợp cho việc sử dụng ngoài trời sẽ giảm nguy cơ điện giật.
- Nếu bắt buộc phải vận hành dụng cụ máy ở nơi ẩm ướt, hãy sử dụng nguồn cấp điện được bảo vệ bằng thiết bị ngắt dòng điện rò (RCD).** Việc sử dụng RCD sẽ làm giảm nguy cơ điện giật.

- Các dụng cụ máy có thể tạo ra từ trường điện (EMF) có hại cho người dùng.** Tuy nhiên, người dùng máy trợ tim và những thiết bị y tế tương tự khác nên liên hệ với nhà sản xuất thiết bị và/hoặc bác sĩ để được tư vấn trước khi vận hành dụng cụ này.

An toàn Cá nhân

- Luôn tỉnh táo, quan sát những việc bạn đang làm và sử dụng những phán đoán theo kinh nghiệm khi vận hành dụng cụ máy. Không sử dụng dụng cụ máy khi bạn đang mệt mỏi hoặc chịu ảnh hưởng của ma túy, rượu hay thuốc.** Chỉ một khoảnh khắc không tập trung khi đang vận hành dụng cụ máy cũng có thể dẫn đến thương tích cá nhân nghiêm trọng.
- Sử dụng thiết bị bảo hộ cá nhân. Luôn đeo thiết bị bảo vệ mắt.** Các thiết bị bảo hộ như mặt nạ chống bụi, giày an toàn chống trượt, mũ bảo hộ hay thiết bị bảo vệ thính giác được sử dụng trong các điều kiện thích hợp sẽ giúp giảm thương tích cá nhân.
- Tránh vô tình khởi động dụng cụ máy. Đảm bảo công tắc ở vị trí off (tắt) trước khi nối nguồn điện và/hoặc bộ pin, cầm hoặc di chuyển dụng cụ máy.** Giữ di chuyển dụng cụ máy khi đang đặt ngón tay ở vị trí công tắc hoặc cấp điện cho dụng cụ máy đang bật thường dễ gây ra tai nạn.
- Tháo tất cả các khóa hoặc cờ lê điều chỉnh trước khi bật dụng cụ máy.** Việc cờ lê hoặc khóa vẫn còn gắn vào bộ phận quay của dụng cụ máy có thể dẫn đến thương tích cá nhân.
- Không vớ quá cao. Luôn giữ thăng bằng tốt và có chỗ để chân phù hợp.** Điều này cho phép điều khiển dụng cụ máy tốt hơn trong những tình huống bất ngờ.
- Ăn mặc phù hợp. Không mặc quần áo rộng hay đeo đồ trang sức. Giữ tóc và quần áo tránh xa các bộ phận chuyển động.** Quần áo rộng, đồ trang sức hay tóc dài có thể mắc vào các bộ phận chuyển động.
- Nếu các thiết bị được cung cấp để kết nối các thiết bị thu gom và hút bụi, hãy đảm bảo chúng được kết nối và sử dụng hợp lý.** Việc sử dụng thiết bị thu gom bụi có thể làm giảm những mối nguy hiểm liên quan đến bụi.
- Không vì quen thuộc do thường xuyên sử dụng các dụng cụ mà cho phép bạn trở nên tự mãn và bỏ qua các nguyên tắc an toàn dụng cụ.** Một hành động bất cẩn có thể gây ra thương tích nghiêm trọng trong một phần của một giây.
- Luôn luôn mang kính bảo hộ để bảo vệ mắt khỏi bị thương khi đang sử dụng các dụng cụ máy. Kính bảo hộ phải tuân thủ ANSI Z87.1 ở Mỹ, EN 166 ở Châu Âu, hoặc AS/NZS 1336 ở Úc/New Zealand.** Tại Úc/New Zealand, theo luật pháp, bạn cũng phải mang mặt nạ che mặt để bảo vệ mặt.



Trách nhiệm của chủ lao động là bắt buộc người vận hành dụng cụ và những người khác trong khu vực làm việc cạnh đó phải sử dụng các thiết bị bảo hộ an toàn thích hợp.

Sử dụng và bảo quản dụng cụ máy

- Không dùng lực đối với dụng cụ máy. Sử dụng đúng dụng cụ máy cho công việc của bạn.** Sử dụng đúng dụng cụ máy sẽ giúp thực hiện công việc tốt hơn và an toàn hơn theo giá trị định mức được thiết kế của dụng cụ máy đó.
- Không sử dụng dụng cụ máy nếu công tắc không bật và tắt được dụng cụ máy đó.** Mọi dụng cụ máy không thể điều khiển được bằng công tắc đều rất nguy hiểm và phải được sửa chữa.
- Rút phích cắm ra khỏi nguồn điện và/hoặc tháo kết nối bộ pin khỏi dụng cụ máy, nếu có thể tháo rời trước khi thực hiện bất kỳ công việc điều chỉnh, thay đổi phụ tùng hay cất giữ dụng cụ máy nào.** Những biện pháp an toàn phòng ngừa này sẽ giảm nguy cơ vô tình khởi động dụng cụ máy.
- Cất giữ các dụng cụ máy không sử dụng ngoài tầm với của trẻ em và không cho bất kỳ người nào không có hiểu biết về dụng cụ máy hoặc các hướng dẫn này vận hành dụng cụ máy.** Dụng cụ máy sẽ rất nguy hiểm nếu được sử dụng bởi những người dùng chưa qua đào tạo.
- Bảo dưỡng dụng cụ máy và các phụ kiện.** Kiểm tra tình trạng lệch trục hoặc bó kẹt của các bộ phận chuyên động, hiện tượng nứt vỡ của các bộ phận và mọi tình trạng khác mà có thể ảnh hưởng đến hoạt động của dụng cụ máy. Nếu có hỏng hóc, hãy sửa chữa dụng cụ máy trước khi sử dụng. Nhiều tai nạn xảy ra là do không bảo quản tốt dụng cụ máy.
- Luôn giữ cho dụng cụ cất được sắc bén và sạch sẽ.** Những dụng cụ cất được bảo quản tốt có mép cắt sắc sẽ ít bị kẹt hơn và dễ điều khiển hơn.
- Sử dụng dụng cụ máy, phụ tùng và đầu dụng cụ cắt, v.v... theo các hướng dẫn này, có tính đến điều kiện làm việc và công việc được thực hiện.** Việc sử dụng dụng cụ máy cho các công việc khác với công việc dự định có thể gây nguy hiểm.
- Giữ tay cầm và bề mặt tay cầm khô, sạch, không dính dầu và mỡ.** Tay cầm trơn trượt và bề mặt tay cầm không cho phép xử lý an toàn và kiểm soát dụng cụ trong các tình huống bất ngờ.

- Khi sử dụng dụng cụ, không được đi giày tay lao động bằng vải, có thể bị vướng.** Việc giày tay lao động bằng vải vướng vào các bộ phận chuyên động có thể gây ra thương tích cá nhân.

Sử dụng và bảo quản dụng cụ dùng pin

- Chỉ sạc pin lại với bộ sạc do nhà sản xuất quy định.** Bộ sạc phù hợp với một loại bộ pin này có thể gây ra nguy cơ hỏa hoạn khi được dùng cho một bộ pin khác.
- Chỉ sử dụng các dụng cụ máy với các bộ pin được quy định cụ thể.** Việc sử dụng bất cứ bộ pin nào khác có thể gây ra thương tích và hỏa hoạn.
- Khi không sử dụng bộ pin, hãy giữ tránh xa các đồ vật khác bằng kim loại, chẳng hạn như kẹp giấy, tiền xu, chìa khóa, đinh, ốc vít hoặc các vật nhỏ bằng kim loại mà có thể làm nối tắt các đầu cực pin.** Các đầu cực pin bị đoản mạch có thể gây cháy hoặc hỏa hoạn.
- Trong điều kiện sử dụng quá mức, pin có thể bị cháy nước; hãy tránh tiếp xúc.** Nếu vô tình tiếp xúc với pin bị cháy nước, hãy rửa sạch bằng nước. Nếu dung dịch từ pin tiếp xúc với mắt, cần đi khám bác sĩ thêm. Dung dịch chảy ra từ pin có thể gây rát da hoặc bỏng.
- Không sử dụng bộ pin hoặc dụng cụ bị hư hỏng hoặc đã bị sửa đổi.** Pin đã bị hư hỏng hoặc đã bị sửa đổi có thể hành động theo cách không thể đoán trước dẫn đến cháy, nổ hoặc nguy cơ chấn thương.
- Không để bộ pin hoặc dụng cụ tiếp xúc với lửa hoặc nhiệt độ quá cao.** Tiếp xúc với lửa hoặc nhiệt độ trên 130 °C có thể gây ra cháy nổ.
- Làm theo tất cả các hướng dẫn sạc pin và không được sạc bộ pin hoặc dụng cụ vượt giới hạn nhiệt độ quy định trong hướng dẫn.** Sạc pin không đúng hoặc ở nhiệt độ vượt giới hạn nhiệt độ có thể gây hư hỏng cho pin và làm tăng nguy cơ cháy.

Bảo dưỡng

- Đề nghị viên sửa chữa đủ trình độ bảo dưỡng dụng cụ máy của bạn và chỉ sử dụng các bộ phụ thay thế đồng nhất.** Việc này sẽ đảm bảo phụ trì được độ an toàn của dụng cụ máy.
- Không bao giờ sử dụng bộ pin đã hỏng.** Dịch vụ bảo hành bộ pin chỉ nên thực hiện bởi nhà sản xuất hoặc các nhà cung cấp dịch vụ được ủy quyền.
- Tuân theo hướng dẫn dành cho việc bôi trơn và thay phụ tùng.**

Cảnh Báo An Toàn Đối Với Máy Tia Hàng Rào Chạy Pin

- Giữ tất cả các bộ phận cơ thể tránh xa lưỡi cắt. Không gỡ vật liệu bị cắt hoặc giữ vật liệu được cắt khi các lưỡi cắt đang chuyển động.** Lưỡi cắt sẽ tiếp tục chuyển động sau khi tắt công tắc. Chỉ một khoảnh khắc không tập trung khi đang vận hành máy tia hàng rào cũng có thể dẫn đến thương tích cá nhân nghiêm trọng.

2. **Cầm máy tia hàng rào bằng tay cầm với lưới cắt đã dừng và chú ý không vận hành bất kỳ công tắc nguồn nào.** Cầm máy tia hàng rào đúng cách sẽ làm giảm nguy cơ vô ý khởi động và thương tích cá nhân phát sinh từ lưới cắt.
3. **Khi vận chuyển hay cất giữ máy tia hàng rào, luôn lắp nắp đậy lưới cắt.** Xử lý máy tia hàng rào đúng cách sẽ làm giảm nguy cơ thương tích cá nhân từ lưới cắt.
4. **Khi loại bỏ vật liệu bị kẹt hoặc bảo dưỡng thiết bị, đảm bảo tắt cả công tắc nguồn đều tắt và tháo hoặc ngắt kết nối bộ pin.** Vận hành máy tia hàng rào bất ngờ trong khi loại bỏ vật liệu bị kẹt hoặc bảo dưỡng có thể dẫn đến thương tích cá nhân nghiêm trọng.
5. **Giữ máy tia hàng rào chỉ bằng các bề mặt kẹp cách điện, vì lưới cắt có thể tiếp xúc với dây dẫn điện.** Lưới cắt tiếp xúc với dây dẫn "có điện" có thể khiến các bộ phận kim loại bị hở của máy tia hàng rào "có điện" và khiến người vận hành bị điện giật.
6. **Giữ tất cả dây nguồn và cáp cách xa khỏi khu vực cắt.** Dây nguồn hoặc cáp có thể bị khuấy trong hàng rào hoặc bụi cây và vô tình bị lưới dao cắt trúng.
7. **Không sử dụng máy tia hàng rào trong điều kiện thời tiết xấu, đặc biệt là khi có nguy cơ sấm sét.** Việc này sẽ làm giảm được nguy cơ bị sét đánh.

Các hướng dẫn an toàn bổ sung

Chuẩn bị

1. **Kiểm tra các vật lạ trên hàng rào và chổi, chẳng hạn như các hàng rào kim loại hoặc dây dẫn kín trước khi vận hành dụng cụ.**
2. **Trẻ em hoặc thanh thiếu niên dưới 18 tuổi không được sử dụng dụng cụ này.** Thanh thiếu niên trên 16 tuổi có thể được miễn hạn chế này nếu được đào tạo dưới sự giám sát của chuyên gia.
3. **Người mới sử dụng lần đầu nên có người biết sử dụng hướng dẫn họ cách sử dụng dụng cụ.**
4. **Chỉ sử dụng thiết bị khi bạn đang ở trong điều kiện thể chất tốt.** Nếu bạn đang mệt mỏi, khả năng chú ý của bạn sẽ bị giảm đi. Đặc biệt cẩn thận khi kết thúc một ngày làm việc. Thực hiện tất cả công việc một cách bình tĩnh và cẩn thận. Người sử dụng phải chịu trách nhiệm về mọi thiệt hại cho bên thứ ba.
5. **Không bao giờ sử dụng dụng cụ khi chịu ảnh hưởng của rượu, ma túy hay thuốc.**
6. **Găng tay làm việc bằng da dày là một phần của thiết bị cơ bản của dụng cụ và phải luôn mang theo khi làm việc với dụng cụ.** Cũng nên mang giày ủng cứng có đế chống trượt.
7. **Trước khi bắt đầu công việc, kiểm tra xem dụng cụ có trong tình trạng làm việc tốt và an toàn không.** Đảm bảo các phần bảo vệ được lắp đúng cách. Không được sử dụng dụng cụ trừ khi dụng cụ đã được lắp ráp hoàn chỉnh.

Vận hành

1. **Cầm chắc dụng cụ bằng cả hai tay khi sử dụng.**
2. **Dụng cụ dành cho người vận hành ở mặt đất sử dụng. Không sử dụng dụng cụ trên thang hoặc bất kỳ giá đỡ không ổn định nào khác.**
3. **NGUY HIỂM: Giữ tay tránh xa lưới cắt.** Tiếp xúc với lưới cắt có thể dẫn tới thương tích cá nhân nghiêm trọng.
4. **Đảm bảo rằng bạn luôn có chỗ để chân cố định trước khi bắt đầu vận hành.**
5. **Không vận hành dụng cụ không tải một cách không cần thiết.**
6. **Tắt dụng cụ ngay lập tức và tháo hộp pin nếu lưới dao dừng phải hàng rào hoặc vật cứng khác.** Kiểm xem lưới cắt có bị hư hỏng gì không và nếu bị hỏng, hãy thay thế lưới cắt ngay lập tức.
7. **Trước khi kiểm tra lưới dao, hãy xem xét các lỗi hoặc loại bỏ vật liệu bị kẹt trong lưới dao, luôn tắt dụng cụ và tháo hộp pin.**
8. **Không bao giờ hướng lưới kéo vào người chính bạn hoặc người khác.**
9. **Nếu các lưới dao ngừng di chuyển do các vật lạ ở tắc nghẽn giữa các lưới dao trong quá trình vận hành, hãy tắt dụng cụ và tháo hộp pin, rồi tháo các vật lạ bằng các dụng cụ như kim.** Dùng tay gỡ các vật lạ có thể gây ra thương tích, vì lý do mà các lưới dao có thể di chuyển khi gỡ các vật lạ.
10. **Khi bạn sử dụng dụng cụ trên mặt đất bùn lầy, sườn dốc ẩm ướt, hoặc nơi trơn trượt, hãy chú ý đến chỗ để chân của bạn.**
11. **Không nhúng dụng cụ vào vùng nước.**
12. **Không để dụng cụ ngoài trời mà không có người giám sát dưới trời mưa.**

An toàn về điện và pin

1. **Tránh mọi trường hợp hiểm.** Không được sử dụng dụng cụ tại những nơi mưa bão hoặc ẩm ướt hay để chúng tiếp xúc với mưa. Nước lọt vào dụng cụ sẽ làm tăng nguy cơ điện giật.
2. **Không thổi bỏ (các) viên pin vào lửa.** Viên pin có thể phát nổ. Kiểm tra bằng mã địa phương để biết hướng dẫn thổi bỏ đặc biệt nếu có.
3. **Không mở hay cắt xén (các) viên pin.** Chất điện phân thải ra có tính ăn mòn và có thể gây tổn thương cho mắt hoặc da. Có thể độc hại nếu nuốt phải.
4. **Không sạc pin trong mưa, hoặc nơi ẩm ướt.**
5. **Không sạc pin ở ngoài trời.**
6. **Không thao tác bộ sạc, bao gồm phích cắm của bộ sạc, và điện cực của bộ sạc bằng tay ướt.**
7. **Không thay pin bằng tay ướt.**
8. **Không thay pin dưới trời mưa.**
9. **Không làm ướt điện cực của pin bằng chất lỏng ví dụ như nước, hoặc nhấn chìm pin.** Không để pin dưới trời mưa, không sạc, sử dụng, hoặc cất giữ pin ở nơi ẩm hoặc ướt. Nếu điện cực bị ướt hoặc có chất lỏng lọt vào bên trong pin, pin có thể bị đoản mạch và có nguy cơ quá nhiệt, cháy hoặc nổ.

- Sau khi tháo pin ra khỏi dụng cụ hoặc bộ sạc, hãy đảm bảo đã gắn nắp đậy pin vào pin và cất giữ ở nơi khô ráo.
- Nếu hộp pin bị ướt, xả nước bên trong hộp pin sau đó lau bằng vải khô. Làm khô hộp pin hoàn toàn ở nơi khô ráo trước khi sử dụng.

Bảo dưỡng và cất giữ

- Tắt dụng cụ và tháo hộp pin trước khi làm bất cứ công việc bảo dưỡng nào.
- Khi di chuyển dụng cụ đến một vị trí khác, kể cả khi đang vận hành, phải luôn tháo hộp pin và gắn nắp đậy lưỡi cắt lên các lưỡi dao. Tuyệt đối không mang hoặc vận chuyển dụng cụ có lưỡi cắt đang chạy. Tuyệt đối không nắm các lưỡi dao bằng tay.
- Vệ sinh dụng cụ và đặc biệt là các lưỡi dao sau khi sử dụng và trước khi đưa dụng cụ vào kho cất giữ trong khoảng thời gian dài. Tra một ít dầu lên các lưỡi cắt và đậy nắp đậy lưỡi cắt lại.
- Cất giữ dụng cụ có gắn nắp đậy lưỡi cắt, ở nơi khô ráo. Tránh xa tầm với của trẻ em. Không để dụng cụ ngoài trời.
- Không bỏ pin (các pin) vào lửa. Các viên pin có thể phát nổ. Kiểm tra mã vùng để được hướng dẫn xử lý đặc biệt khi có thể.
- Không mờ hoặc làm hư hỏng pin (các pin). Chất điện phân thoát ra sẽ ăn mòn và có thể gây thiệt hại cho da hoặc mắt. Nó có thể độc hại nếu nuốt phải.
- Không sạc pin trong mưa, hoặc nơi ẩm ướt.
- Khi cất giữ dụng cụ, tránh ánh nắng trực tiếp và mưa, cất giữ ở nơi không nóng hoặc ẩm ướt.

LƯU GIỮ CÁC HƯỚNG DẪN NÀY.

⚠ CẢNH BÁO: KHÔNG vì đã thoải mái hay quen thuộc với sản phẩm (có được do sử dụng nhiều lần) mà không tuân thủ nghiêm ngặt các quy định về an toàn dành cho sản phẩm này. VIỆC DÙNG SAI hoặc không tuân theo các quy định về an toàn được nêu trong tài liệu hướng dẫn này có thể dẫn đến thương tích cá nhân nghiêm trọng.

Hướng dẫn quan trọng về an toàn dành cho hộp pin

- Trước khi sử dụng hộp pin, hãy đọc kỹ tất cả các hướng dẫn và dấu hiệu cảnh báo trên (1) bộ sạc pin, (2) pin và (3) sản phẩm sử dụng pin.
- Không tháo rời hoặc làm thay đổi hộp pin. Việc này có thể dẫn đến hỏa hoạn, quá nhiệt hoặc nổ.
- Nếu thời gian vận hành ngắn hơn quá mức, hãy ngừng vận hành ngay lập tức. Điều này có thể dẫn đến rùi rò quá nhiệt, có thể gây bỏng và thậm chí là nổ.
- Nếu chất điện phân rơi vào mắt, hãy rửa sạch bằng nước sạch và đến cơ sở y tế ngay lập tức. Chất này có thể khiến bạn giảm thị lực.

- Không để hộp pin ở tình trạng đoản mạch:
 - Không chạm vào cực pin bằng vật liệu dẫn điện.
 - Tránh cất giữ hộp pin trong hộp có các vật kim loại khác như đinh, tiền xu, v.v...
 - Không được để hộp pin tiếp xúc với nước hoặc mưa.

Đoản mạch pin có thể gây ra dòng điện lớn, quá nhiệt, có thể gây bỏng và thậm chí là hỏng hóc.
- Không cất giữ cũng như sử dụng dụng cụ và hộp pin ở nơi nhiệt độ có thể lên tới hoặc vượt quá 50 °C (122 °F).
- Không đốt hộp pin ngay cả khi hộp pin đã bị hư hại nặng hoặc hư hỏng hoàn toàn. Hộp pin có thể nổ khi tiếp xúc với lửa.
- Không đóng đinh, cắt, nghiền nát, ném, làm rơi hộp pin hoặc va vật cứng vào hộp pin. Làm như thế có thể dẫn đến hỏa hoạn, quá nhiệt hoặc nổ.
- Không sử dụng pin đã hỏng.
- Pin nén lithium-ion là đối tượng có yêu cầu bắt buộc theo Luật Hàng hoá Nguy hiểm. Đối với vận tải thương mại, ví dụ như vận tải do bên thứ ba, đại lý giao nhận, thì yêu cầu đặc biệt về đóng gói và nhãn ghi phải được giám sát. Để chuẩn bị cho mặt hàng cần vận chuyển, cần phải tham khảo ý kiến chuyên gia về vật liệu nguy hiểm. Nếu được, vui lòng tuân thủ các quy định quốc gia chi tiết hơn. Buộc hoặc niêm phong các tiếp điểm mở và đóng gói pin theo cách đó để nó không thể di chuyển trong bao bì.
- Khi vứt bỏ hộp pin, hãy tháo chúng khỏi dụng cụ và thải bỏ ở nơi an toàn. Phải tuân thủ theo các quy định của địa phương liên quan đến việc thải bỏ pin.
- Chỉ sử dụng pin cho các sản phẩm Makita chi đình. Lắp pin vào sản phẩm không thích hợp có thể gây ra hỏa hoạn, quá nhiệt, nổ, hoặc rò chất điện phân.
- Nếu dụng cụ không được sử dụng trong một thời gian dài, cần phải tháo pin ra khỏi dụng cụ.
- Trong và sau khi sử dụng, hộp pin có thể bị nóng, có thể gây bỏng hoặc bỏng ở nhiệt độ thấp. Chú ý xử lý hộp pin nóng.
- Không chạm vào điện cực của dụng cụ ngay sau khi sử dụng vì điện cực đủ nóng để gây bỏng.
- Không để vụn bào, bụi hoặc đất bám vào các điện cực, lỗ và rãnh của hộp pin. Điều này có thể làm nóng, bắt lửa, nổ và gây trục trặc cho dụng cụ hoặc hộp pin, dẫn đến bỏng hoặc thương tích cá nhân.
- Trừ khi dụng cụ hỗ trợ sử dụng gần đường dây điện cao thế, không sử dụng hộp pin gần đường dây điện cao thế. Việc này có thể dẫn đến trục trặc hoặc hỏng hóc dụng cụ hay hộp pin.
- Giữ pin tránh xa trẻ em.

LƯU GIỮ CÁC HƯỚNG DẪN NÀY.

⚠ THẬN TRỌNG: Chỉ sử dụng pin Makita chính hãng. Việc sử dụng pin không chính hãng Makita, hoặc pin đã được sửa đổi, có thể dẫn đến nổ pin gây ra cháy, thương tích và thiệt hại cá nhân. Nó cũng sẽ làm mất hiệu lực bảo hành của Makita dành cho dụng cụ của Makita và bộ sạc.

Mẹo duy trì tuổi thọ tối đa cho pin

1. Sạc hộp pin trước khi pin bị xả điện hoàn toàn. Luôn dừng việc vận hành dụng cụ và sạc pin khi bạn nhận thấy công suất dụng cụ bị giảm.
2. Không được phép sạc lại một hộp pin đã được sạc đầy. Sạc quá mức sẽ làm giảm tuổi thọ của pin.
3. Sạc pin ở nhiệt độ phòng 10°C - 40°C. Để cho hộp pin nóng nguội lại dần trước khi sạc pin.
4. Khi không sử dụng hộp pin, hãy tháo hộp pin ra khỏi dụng cụ hoặc bộ sạc.
5. Sạc pin sáu tháng một lần nếu bạn không sử dụng dụng cụ trong một thời gian dài (hơn sáu tháng).

MÔ TẢ CHỨC NĂNG

⚠ THẬN TRỌNG: Luôn đảm bảo rằng đã tắt dụng cụ và tháo hộp pin ra trước khi thực hiện việc điều chỉnh hoặc kiểm tra chức năng trên dụng cụ.

Lắp hoặc tháo hộp pin

⚠ THẬN TRỌNG: Luôn tắt dụng cụ trước khi lắp hoặc tháo hộp pin.

⚠ THẬN TRỌNG: Giữ dụng cụ và hộp pin thật chắc khi lắp hoặc tháo hộp pin. Không giữ dụng cụ và hộp pin thật chắc có thể làm trượt chúng khỏi tay và làm hư hỏng dụng cụ và hộp pin hoặc gây thương tích cá nhân.

► **Hình1:** 1. Chỉ báo màu đỏ 2. Nút 3. Hộp pin

Đề tháo hộp pin, vừa trượt pin ra khỏi dụng cụ vừa đẩy trượt nút ở phía trước hộp pin.

Đề lắp hộp pin, đặt thẳng hàng phần chốt nhỏ ra của hộp pin vào phần rãnh nằm trên vỏ và trượt hộp pin vào vị trí. Đưa hộp pin vào hết mức cho đến khi chốt khóa vào đúng vị trí với một tiếng cách nhẹ. Nếu bạn có thể nhìn thấy chỉ báo màu đỏ như thể hiện trong hình, điều đó có nghĩa vẫn chưa được khóa hoàn toàn.

⚠ THẬN TRỌNG: Luôn lắp hộp pin khớp hoàn toàn vào vị trí cho đến khi không thể nhìn thấy chỉ báo màu đỏ. Nếu không, hộp pin có thể vô tình rơi ra khỏi dụng cụ, gây thương tích cho bạn hoặc người khác xung quanh.

⚠ THẬN TRỌNG: Không được dùng sức lắp hộp pin. Nếu hộp pin không nhẹ nhàng trượt vào vị trí, có nghĩa là pin vẫn chưa được lắp đúng.

Chỉ báo dung lượng pin còn lại

Ấn nút check (kiểm tra) trên hộp pin để chỉ báo dung lượng pin còn lại. Các đèn chỉ báo bật sáng lên trong vài giây.

► **Hình2:** 1. Các đèn chỉ báo 2. Nút Check (kiểm tra)

Các đèn chỉ báo			Dung lượng còn lại
Bật sáng	Tắt	Nhấp nháy	
			75% đến 100%
			50% đến 75%
			25% đến 50%
			0% đến 25%
			Sạc pin.
			Pin có thể đã bị hỏng.

LƯU Ý: Tùy thuộc vào các điều kiện sử dụng và nhiệt độ xung quanh, việc chỉ báo có thể khác biệt một chút so với dung lượng thực sự.

LƯU Ý: Đèn chỉ báo (phía xa bên trái) đầu tiên sẽ nhấp nháy khi hệ thống bảo vệ pin hoạt động.

Hệ thống bảo vệ dụng cụ / pin

Dụng cụ này được trang bị hệ thống bảo vệ dụng cụ / pin. Hệ thống này sẽ tự động ngắt nguồn điện đến động cơ để kéo dài tuổi thọ dụng cụ và pin. Dụng cụ sẽ tự động dừng vận hành khi dụng cụ ở một trong những trường hợp sau đây:

► **Hình3:** 1. Đèn cảnh báo

Màu	Đèn cảnh báo		Tình trạng
	● Bật	○ Nhấp nháy	
Màu xanh lá	<input checked="" type="radio"/>	<input type="radio"/>	Quá tải
Màu đỏ	<input checked="" type="radio"/> (dụng cụ) / <input checked="" type="radio"/> (pin)	<input type="radio"/>	Quá nhiệt
Màu đỏ	<input type="radio"/>	<input checked="" type="radio"/>	Xả kiệt

CHÚ Ý: Tùy thuộc vào điều kiện sử dụng, dụng cụ sẽ tự động dừng mà không có bất cứ dấu hiệu nào nếu các nhánh cây hoặc mảnh vụn bị vướng vào dụng cụ. Trong trường hợp này, hãy tắt dụng cụ và tháo hộp pin, sau đó tháo các nhánh cây hoặc mảnh vụn bị vướng vào bằng các dụng cụ như kim. Sau khi tháo các nhánh cây hoặc mảnh vụn, lắp hộp pin và bật dụng cụ lại lần nữa.

Bảo vệ quá tải

Nếu dụng cụ hoặc pin bị quá tải do nhánh cây hoặc các mảnh vụn khác vướng vào, dụng cụ sẽ tự động dừng lại và đèn cảnh báo bắt đầu nhấp nháy màu xanh lá. Trong trường hợp này, hãy tắt dụng cụ và ngừng ứng dụng làm cho dụng cụ trở nên quá tải. Sau đó bật dụng cụ lên để khởi động lại.

Bảo vệ quá nhiệt cho dụng cụ hoặc pin

Khi dụng cụ hoặc hộp pin bị quá nhiệt, dụng cụ sẽ tự động dừng. Khi dụng cụ bị quá nhiệt, đèn cảnh báo sẽ sáng lên màu đỏ. Khi hộp pin bị quá nhiệt, đèn cảnh báo sẽ nhấp nháy màu đỏ. Hãy để dụng cụ và/hoặc pin nguội dần trước khi bật dụng cụ một lần nữa.

Bảo vệ xả điện quá mức

Khi dung lượng pin yếu, dụng cụ sẽ tự động dừng và đèn cảnh báo bắt đầu nhấp nháy màu đỏ. Nếu dụng cụ không vận hành ngay cả khi đã bật công tắc, hãy tháo hộp pin ra khỏi dụng cụ và sạc pin.

Bảo vệ chống lại các nguyên nhân khác

Hệ thống bảo vệ cũng được thiết kế để chống lại các nguyên nhân khác có thể làm hỏng dụng cụ và cho phép dụng cụ tự động dừng. Thực hiện tất cả các bước sau đây để loại bỏ các nguyên nhân, khi dụng cụ đã được tạm dừng hoặc ngừng hoạt động.

1. Tắt dụng cụ, sau đó bật lại lần nữa để khởi động lại.
2. Sạc (các) pin hoặc thay pin/các pin bằng (các) pin đã sạc.
3. Để máy và (các) pin nguội dần.

Nếu không thấy cải thiện bằng cách khôi phục hệ thống bảo vệ, hãy liên hệ với Trung tâm Dịch vụ Makita tại địa phương của bạn.

Hoạt động công tắc nguồn

⚠ CẢNH BÁO: Để bạn được an toàn, dụng cụ này được trang bị cần nhằm ngăn dụng cụ vô ý khởi động. **KHÔNG BAO GIỜ** sử dụng dụng cụ nếu dụng cụ hoạt động khi bạn chỉ kéo cần khởi động công tắc mà không nhấn cần. Hãy trả dụng cụ lại cho một trung tâm dịch vụ được ủy quyền của chúng tôi để sửa chữa phù hợp **TRƯỚC KHI** sử dụng tiếp sau này.

⚠ CẢNH BÁO: **KHÔNG BAO GIỜ** dán chặt xuống hoặc vô hiệu mục đích và chức năng của cần.

⚠ CẢNH BÁO: Trước khi lắp hộp pin vào dụng cụ, luôn kiểm tra để đảm bảo cần khởi động công tắc và cần khởi động bình thường và trả về vị trí “TẮT” khi nhả ra. Vận hành dụng cụ bằng công tắc không khởi động đúng có thể dẫn đến mất điều khiển và thương tích cá nhân nghiêm trọng.

⚠ THẬN TRỌNG: Không bao giờ đặt ngón tay trên cần khởi động công tắc khi di chuyển. Dụng cụ có thể khởi động ngoài ý muốn và gây ra thương tích.

CHÚ Ý: Không kéo mạnh cần khởi động công tắc mà không nhấn cần. Điều này có thể làm hỏng công tắc.

Nhấn nút nguồn chính để bật dụng cụ. Để tắt dụng cụ, hãy nhấn và giữ nút nguồn chính cho đến khi đèn chỉ báo tốc độ tắt.

► **Hình4:** 1. Nút nguồn chính

LƯU Ý: Đèn cảnh báo nhấp nháy nếu cần khởi động công tắc bị kéo trong tình trạng không hoạt động. Đèn cảnh báo nhấp nháy nếu bạn bật công tắc nguồn chính trong khi giữ cần gạt và cần khởi động công tắc.

LƯU Ý: Dụng cụ này sử dụng chức năng tắt nguồn tự động. Để tránh việc khởi động ngoài ý muốn, công tắc nguồn chính sẽ tự động tắt khi cần khởi động công tắc không được kéo trong một khoảng thời gian nhất định sau khi công tắc nguồn chính được bật lên.










Để ngăn ngừa vô tình kéo cần khởi động công tắc, dụng cụ được trang bị cần nhả khóa. Để khởi động dụng cụ, kéo cần khởi động công tắc phía trước, sau đó kéo cần khởi động công tắc phía sau khi nhấn cần gạt. Khi bạn nhả cả hai cần khởi động công tắc, dụng cụ sẽ dừng lại.

► **Hình5:** 1. Cần gạt 2. Cần khởi động công tắc phía sau 3. Cần khởi động công tắc phía trước

Điều chỉnh tốc độ

Bạn có thể điều chỉnh tốc độ dụng cụ bằng cách nhấn nút nguồn chính. Mỗi lần bạn nhấn nút nguồn chính, mức tốc độ sẽ thay đổi.

► **Hình6:** 1. Đèn chỉ báo tốc độ 2. Nút nguồn chính

Đèn chỉ báo tốc độ	Chế độ	Tốc độ nhất định
  	Cao	5.000 min ⁻¹
  	Trung bình	3.600 min ⁻¹
  	Thấp	2.000 min ⁻¹

Nút đảo ngược để loại bỏ các mảnh vụn

⚠ CẢNH BÁO: Nếu không thể tháo các nhánh cây hoặc mảnh vụn bám vào bằng chức năng đảo chiều, hãy tắt dụng cụ và tháo hộp pin, sau đó tháo các nhánh cây hoặc mảnh vụn bám vào bằng các dụng cụ như kim. Không tắt dụng cụ và tháo hộp pin có thể dẫn đến các thương tích cá nhân nghiêm trọng do vô tình khởi động máy. Tháo các nhánh cây hoặc mảnh vụn bám vào bằng tay có thể gây ra thương tích, vì các lưỡi kéo có thể di chuyển khi tháo các nhánh cây hoặc mảnh vụn.

Dụng cụ này có một nút đảo chiều để thay đổi chiều chuyển động của lưỡi kéo. Nút này chỉ dùng để tháo các nhánh cây và mảnh vụn bám vào dụng cụ. Để đảo chuyển động của các lưỡi dao, nhấn nút đảo chiều khi các lưỡi dao đã dừng lại, sau đó kéo cần khởi động công tắc, rồi kéo cần khởi động công tắc phía sau trong khi nhấn cần gạt. Đèn chỉ báo tốc độ bắt đầu nhấp nháy, và lưỡi kéo chuyển động theo chiều ngược lại. Khi các nhánh cây và mảnh vụn bám vào được tháo bỏ, dụng cụ quay lại chuyển động bình thường và đèn chỉ báo tốc độ sẽ dừng nhấp nháy và sáng lên.

► **Hình7:** 1. Đèn chỉ báo tốc độ 2. Nút đảo chiều

LƯU Ý: Nếu không thể tháo bỏ các nhánh cây hoặc mảnh vụn bị vướng vào, hãy nhả cần khởi động công tắc, sau đó nhấn nút đảo chiều rồi kéo cần khởi động công tắc cho đến khi chúng được tháo bỏ.

LƯU Ý: Nếu bạn nhấn nút đảo chiều trong khi lưỡi kéo vẫn đang di chuyển, dụng cụ sẽ dừng lại và sẵn sàng chuyển động đảo chiều.

Chức năng điện tử

Dụng cụ này được trang bị các chức năng điện tử để dễ dàng vận hành.

- Điều khiển tốc độ không đổi
Chức năng điều khiển tốc độ cung cấp tốc độ quay không đổi bất kể điều kiện tải.
- Phanh điện tử
Dụng cụ này được trang bị một phanh điện tử. Nếu dụng cụ không thể dừng nhanh lưỡi kéo sau khi nhả cần khởi động công tắc, hãy đem dụng cụ đến trung tâm dịch vụ của chúng tôi.
- Chức năng phòng ngừa vô tình khởi động lại
Ngay cả khi bạn lắp đặt hộp pin trong lúc kéo cần khởi động công tắc, dụng cụ cũng sẽ không khởi động. Để khởi động dụng cụ, đầu tiên nhả cần khởi động công tắc ra, sau đó kéo cần khởi động công tắc.

LẮP RÁP

⚠ THẬN TRỌNG: Luôn đảm bảo rằng đã tắt dụng cụ và tháo hộp pin ra trước khi thực hiện bất cứ thao tác nào trên dụng cụ.

⚠ THẬN TRỌNG: Khi thay thế lưỡi kéo, luôn đeo găng tay để tay không tiếp xúc trực tiếp với lưỡi dao.

CHÚ Ý: Khi thay thế các lưỡi dao, không lau sạch dầu mỡ khỏi bánh răng và tay quay.

Lắp hoặc tháo các lưỡi kéo

⚠ THẬN TRỌNG: Gắn nắp đậy lưỡi dao trước khi tháo gỡ hoặc lắp đặt lưỡi dao.

Bạn có thể lắp lưỡi dao 600 mm hoặc 750 mm vào dụng cụ của bạn.

LƯU Ý: Nếu bạn đổi lưỡi dao sang chiều dài khác, hãy thay thế bộ nhận vô bảo bằng bộ nhận khác phù hợp với lưỡi cắt.

1. Tháo bốn vít (dành cho UH013G) hoặc năm vít (dành cho UH014G), sau đó tháo bộ nhận vô bảo khỏi dụng cụ.

Dành cho UH013G

► **Hình8:** 1. Bộ nhận vô bảo 2. Vít

Dành cho UH014G

► **Hình9:** 1. Bộ nhận vô bảo 2. Vít

2. Đặt dụng cụ úp ngược xuống, sau đó tháo sáu bu-lông.

► **Hình10:** 1. Bu-lông

3. Tháo nắp che và bản.

► **Hình11:** 1. Nắp che 2. Bản

LƯU Ý: Phần bản có thể vẫn còn nằm trong dụng cụ.

4. Tháo thanh chốt và ổ đệm.

► **Hình12:** 1. Thanh chốt 2. Ổ đệm

LƯU Ý: Thanh chốt hoặc ổ đệm có thể vẫn còn nằm trên nắp che.

5. Tháo ba vít, ba trụ ngoài và tấm ni, sau đó tháo các lưỡi kéo.

► **Hình13:** 1. Vít 2. Trụ ngoài 3. Tấm ni 4. Các lưỡi kéo

CHÚ Ý: Cần thận không làm mất vít.

6. Tháo nắp đậy lưỡi dao, sau đó gắn nó vào lưỡi dao mới.

► **Hình14**

7. Điều chỉnh tay quay sao cho hai lỗ xếp thẳng hàng trên trục cân chỉnh.

► **Hình15:** 1. Lỗ 2. Trục cân chỉnh

8. Căn chỉnh phần nhô ra trên lưỡi kéo theo chiều dọc ở cùng vị trí.

► **Hình16:** 1. Phần nhô ra

9. Lắp vít đã tháo ở bước 5 vào các lỗ trên nắp lưỡi dao và lưỡi dao để tạm thời cố định lưỡi dao, sau đó gắn tấm ni vào lưỡi dao.

► **Hình17:** 1. Vít 2. Tấm ni 3. Lỗ

10. Lắp phần nhô ra trên lưỡi kéo vào lỗ trên thanh chốt, sau đó căn chỉnh vị trí của tấm ni với các lỗ trên dụng cụ. Gắn hai trụ ngoài mới.

► **Hình18:** 1. Tấm ni 2. Phần nhô ra 3. Lỗ 4. Trụ ngoài

CHÚ Ý: Bôi một lượng nhỏ mỡ bôi trơn lên phần biên trong của lỗ trên thanh chốt.

CHÚ Ý: Cần thận không làm mất các trụ ngoài.

11. Căn chỉnh các lỗ trên trụ ngoài và lưỡi dao với các lỗ trên dụng cụ, sau đó vặn chặt hai vít để tạm thời cố định lưỡi dao.

► **Hình19:** 1. Vít

12. Tháo vít đã lắp vào lỗ trên lưỡi dao ở bước 9, sau đó trượt nắp đậy lưỡi dao.

► **Hình20:** 1. Vít

13. Gắn trụ ngoài mới.

► **Hình21:** 1. Trụ ngoài

14. Vặn chặt vít cùng với trụ ngoài để cố định lưỡi dao.

► **Hình22:** 1. Vít

15. Vặn chặt các vít đã được cố định tạm thời ở bước 11.

16. Gắn ổ đệm và thanh chốt.

► **Hình23:** 1. Thanh chốt 2. Lỗ nhỏ 3. Ổ đệm

CHÚ Ý: Bôi một lượng nhỏ mỡ bôi trơn lên phần biên trong của lỗ nhỏ trên thanh chốt.

CHÚ Ý: Đảm bảo rằng phần nhô ra trên lưỡi kéo vừa khít với lỗ nhỏ trên thanh chốt.

17. Gắn bản.

► **Hình24:** 1. Phần nhô ra 2. Bản

CHÚ Ý: Đảm bảo rằng phần nhô ra trên lưỡi kéo vừa khít với lỗ trên bản.

18. Gắn nắp che, sau đó vặn chặt sáu bu-lông.

► **Hình25:** 1. Bu-lông 2. Nắp che

19. Gắn bộ nhận vỏ bảo vào dụng cụ bằng cách vặn chặt bốn vít (đối với UH013G) hoặc năm vít (đối với UH014G).

Dành cho UH013G

► **Hình26:** 1. Bộ nhận vỏ bảo 2. Vít

Dành cho UH014G

► **Hình27:** 1. Bộ nhận vỏ bảo 2. Vít

CHÚ Ý: Nếu lưỡi dao không di chuyển dễ dàng thì là do lưỡi dao đang không được gắn vào thanh chốt đúng cách. Lắp các lưỡi dao lại lần nữa.

CHÚ Ý: Nếu các bộ phận khác ngoài lưỡi dao như thanh chốt bị mòn, hãy nhờ Trung tâm dịch vụ Makita được ủy quyền để thay thế phụ tùng thay thế hoặc sửa chữa.

Tháo hoặc lắp bộ nhận vỏ bảo

⚠ THẬN TRỌNG: Khi lắp hoặc tháo bộ nhận vỏ bảo, luôn đeo găng tay để tay không tiếp xúc trực tiếp với lưỡi kéo.

Bộ nhận vỏ bảo thu gom lá cỏ và giúp việc làm sạch sau đó trở nên dễ dàng hơn.

Để tháo bộ nhận vỏ bảo, hãy tháo bốn ốc vít (đối với UH013G) hoặc năm vít (đối với UH014G), sau đó tháo bộ nhận vỏ bảo khỏi dụng cụ. Để lắp bộ nhận vỏ bảo, hãy làm ngược lại quy trình tháo ra.

Dành cho UH013G

► **Hình28:** 1. Bộ nhận vỏ bảo 2. Vít

Dành cho UH014G

► **Hình29:** 1. Bộ nhận vỏ bảo 2. Vít

VẬN HÀNH

⚠ CẢNH BÁO: Giữ tay tránh xa lưỡi kéo.

⚠ THẬN TRỌNG: Tránh vận hành dụng cụ trong thời tiết nóng càng nhiều càng tốt. Khi vận hành dụng cụ, hãy cẩn thận điều kiện thể chất của bạn.

⚠ THẬN TRỌNG: Cẩn thận để không vô tình tiếp xúc với hàng rào sắt hoặc các vật cứng khác khi đang cắt tưa. Lưỡi kéo có thể bị gãy và gây chấn thương.

⚠ THẬN TRỌNG: Hãy cẩn thận không để lưỡi dao tiếp xúc với mặt đất. Dụng cụ có thể bị bật lên và gây chấn thương.

⚠ THẬN TRỌNG: Dùng máy tưa hàng rào ở tầm cao quá mức, đặc biệt nếu sử dụng thang, là rất nguy hiểm. Không làm việc trong khi đứng trên bất cứ thứ gì lung lay hoặc không chắc chắn.

CHÚ Ý: Không được cố cắt các cành cây lớn hơn đường kính 10 mm bằng dụng cụ này. Cắt các cành lớn thành 10 cm thấp hơn chiều cao cắt bằng cách sử dụng dụng cụ cắt cành trước khi dùng dụng cụ này.

► **Hình30:** (1) Chiều cao cắt (2) 10 cm

CHÚ Ý: Không được cắt cây chết khô hoặc các vật cứng tương tự. Điều này có thể làm hư hỏng thiết bị.

CHÚ Ý: Không cắt tưa cỏ hoặc cỏ dại trong khi sử dụng lưỡi dao. Lưỡi kéo có thể bị rơi trong cỏ hoặc cỏ dại.

Giữ tay cầm trước bằng tay phải và tay cầm sau bằng tay trái. Kéo cần khởi động công tắc phía trước, sau đó kéo cần khởi động công tắc phía sau trong khi nhấn cần, rồi di chuyển dụng cụ về phía trước.

► **Hình31**

Ở chế độ vận hành cơ bản, nghiêng lưỡi kéo theo hướng cắt tia và di chuyển cẩn thận, từ từ với tốc độ 3 đến 4 giây mỗi mét.

► **Hình32**

Để tia phần đầu hàng rào được đều, hãy buộc dây đai ở độ cao mong muốn và cắt dọc theo nó.

► **Hình33**

Bộ nhận vỏ bào thu gom lá bỏ và giúp việc làm sạch sau đó trở nên dễ dàng hơn.

► **Hình34**

Để cắt một bên hàng rào được đều, hãy cắt từ dưới lên trên.

► **Hình35**

Khi cắt tia thành một hình tròn (cắt gỗ hoàng dương hay đồ quyền, v.v...), hãy cắt từ gốc lên ngọn để tạo thành phẩm đẹp.

► **Hình36**

BẢO TRÌ

⚠ THẬN TRỌNG: Hãy luôn chắc chắn rằng dụng cụ đã được tắt và hộp pin đã được tháo ra trước khi cố gắng thực hiện việc kiểm tra hay bảo dưỡng.

Để đảm bảo ĐỘ AN TOÀN và ĐỘ TIN CẬY của sản phẩm, việc sửa chữa hoặc bất cứ thao tác bảo trì, điều chỉnh nào đều phải được thực hiện bởi các Trung tâm Dịch vụ Nhà máy hoặc Trung tâm được Makita Ủy quyền và luôn sử dụng các phụ tùng thiết bị thay thế của Makita.

Làm sạch dụng cụ

Làm sạch dụng cụ bằng cách lau hết bụi bằng vải khô hoặc vải nhúng vào nước xà phòng và vắt khô.

CHÚ Ý: Không được phép dùng xăng, ét xăng, dung môi, cồn hoặc hóa chất tương tự. Có thể xảy ra hiện tượng mất màu, biến dạng hoặc nứt vỡ.

Bảo dưỡng lưỡi kéo

Trước khi vận hành hoặc cứ mỗi giờ một lần trong thời gian vận hành, hãy bôi dầu có độ nhớt thấp (dầu máy, hoặc dầu bôi trơn loại phun) lên lưỡi kéo.

► **Hình37**

Sau khi sử dụng, loại bỏ bụi khỏi lưỡi cắt bằng chổi kim loại, lau sạch lưỡi cắt bằng một miếng vải rồi bôi dầu có độ nhớt thấp (dầu máy hoặc dầu bôi trơn loại phun) lên lưỡi cắt.

► **Hình38**

CHÚ Ý: Không rửa lưỡi kéo với nước. Điều này có thể làm gỉ sét hoặc hỏng dụng cụ.

CHÚ Ý: Bụi bẩn và ăn mòn gây ra ma sát lưỡi dao quá mức và làm giảm bớt thời gian vận hành máy cho mỗi lần sạc pin.

Cắt giữ

Lỗ để móc ở dưới đáy dụng cụ thuận tiện cho việc treo dụng cụ trên đỉnh hoặc ốc vít trên tường.

Tháo hộp pin khỏi dụng cụ, sau đó gắn nắp đáy lưỡi dao vào lưỡi dao để lưỡi dao không lộ ra. Cắt giữ dụng cụ ngoài tầm với trẻ em. Cắt giữ dụng cụ ở địa điểm không tiếp xúc với hơi ẩm hoặc mưa.

► **Hình39:** 1. Lỗ

Mài lưỡi kéo

CHÚ Ý: Nếu lưỡi kéo đã bị biến dạng đáng kể do mài, hãy thay lưỡi kéo bằng lưỡi mới.

1. Lắp hộp pin vào dụng cụ.
2. Bật và khởi động dụng cụ sao cho lưỡi bên trên và lưỡi bên dưới được đặt luân phiên.

► **Hình40**

3. Tắt dụng cụ và tháo hộp pin ra khỏi dụng cụ.
4. Đặt góc của giữa ở vị trí 45°, và mài lưỡi bên trên từ 3 hướng bằng giữa.

► **Hình41:** (1) Giữa (2) 45°

⚠ THẬN TRỌNG: Trước khi mài lưỡi kéo, đảm bảo rằng đã tắt dụng cụ và tháo hộp pin khỏi dụng cụ.

5. Đặt dụng cụ úp ngược xuống, sau đó loại bỏ các bavia khỏi lưỡi cưa bằng đá mài.

► **Hình42:** 1. Đá mài

6. Đặt góc của giữa ở vị trí 45°, và mài lưỡi bên dưới từ 3 hướng bằng giữa.

7. Trả dụng cụ về vị trí bình thường, sau đó loại bỏ các bavia khỏi lưỡi cưa bằng đá mài.

Bôi mỡ bôi trơn

Khoảng thời gian bôi trơn: Mỗi 50 giờ vận hành

1. Tháo bu-lông ra khỏi lỗ để bôi trơn.

► **Hình43:** 1. Bu-lông

2. Tháo nắp tuýp mỡ bôi trơn. Căn chỉnh đầu ra của tuýp mỡ bôi trơn với lỗ trên nắp, sau đó ấn đầu ra của tuýp mỡ bôi trơn vào lỗ.

► **Hình44:** 1. Tuýp mỡ bôi trơn 2. Lỗ

3. Thoa mỡ bôi trơn lên dụng cụ (Xấp xỉ 5 g như hướng dẫn).

4. Vận chặt bu-lông.

XỬ LÝ SỰ CỐ

Trước khi yêu cầu sửa chữa, đầu tiên hãy tự tiến hành kiểm tra của riêng bạn. Nếu bạn phát hiện vấn đề nào đó không được giải thích trong sách hướng dẫn sử dụng này, đừng cố tháo dỡ dụng cụ. Thay vào đó, hãy nhờ Trung tâm dịch vụ Makita được ủy quyền, luôn sử dụng bộ phận thay thế của Makita để sửa chữa.

Tình trạng bất thường	Nguyên nhân tiềm tàng (sự cố hồng học)	Biện pháp khắc phục
Động cơ không chạy.	Không lắp hộp pin.	Lắp hộp pin.
	Vấn đề pin (điện áp thấp)	Sạc lại pin. Nếu sạc pin lại không hiệu quả, hãy thay thế pin.
	Hệ thống truyền động không làm việc đúng cách.	Nhờ trung tâm bảo trì được ủy quyền ở địa phương sửa chữa.
Động cơ ngừng chạy sau khi ít sử dụng đến.	Mức sạc pin thấp.	Sạc lại pin. Nếu sạc pin lại không hiệu quả, hãy thay thế pin.
	Quá nhiệt.	Ngừng sử dụng dụng cụ để nó nguội dần.
Dụng cụ không đạt RPM tối đa.	Pin được lắp đúng cách.	Lắp hộp pin như mô tả trong sách hướng dẫn này.
	Nguồn pin bị tự áp.	Sạc lại pin. Nếu sạc pin lại không hiệu quả, hãy thay thế pin.
	Hệ thống truyền động không làm việc đúng cách.	Nhờ trung tâm bảo trì được ủy quyền ở địa phương sửa chữa.
Các lưỡi dao không di chuyển: ⇒ ngừng máy ngay lập tức!	Ngoại vật bị kẹt giữa các lưỡi dao.	1. Sử dụng nút đảo chiều. 2. Tắt dụng cụ và tháo hộp pin, sau đó loại bỏ ngoại vật bằng các dụng cụ như kim.
	Hệ thống truyền động không làm việc đúng cách.	Nhờ trung tâm bảo trì được ủy quyền ở địa phương sửa chữa.
Rung bất thường: ⇒ ngừng máy ngay lập tức!	Lưỡi dao bị gãy, cong hoặc mòn.	Thay thế các lưỡi dao.
	Hệ thống truyền động không làm việc đúng cách.	Nhờ trung tâm bảo trì được ủy quyền ở địa phương sửa chữa.
Lưỡi dao và động cơ không thể dừng lại: ⇒ Tháo hộp pin ngay lập tức!	Trục trục về điện.	Tháo pin và nhờ trung tâm bảo trì được ủy quyền ở địa phương sửa chữa.

PHỤ KIỆN TỰ CHỌN

⚠ THẬN TRỌNG: Các phụ kiện hoặc phụ tùng gắn thêm này được khuyến cáo sử dụng với dụng cụ Makita của bạn theo như quy định trong hướng dẫn này. Việc sử dụng bất cứ phụ kiện hoặc phụ tùng gắn thêm nào khác đều có thể gây ra rủi ro thương tích cho người. Chỉ sử dụng phụ kiện hoặc phụ tùng gắn thêm cho mục đích đã quy định sẵn của chúng.

Nếu bạn cần bất kỳ sự hỗ trợ nào để biết thêm chi tiết về các phụ tùng này, hãy hỏi Trung tâm Dịch vụ của Makita tại địa phương của bạn.

- Bộ lắp ráp lưỡi dao
- Bộ nhận vỏ bảo
- Tuýp mỡ bôi trơn
- Pin và bộ sạc chính hãng của Makita

LƯU Ý: Một số mục trong danh sách có thể được bao gồm trong gói dụng cụ làm phụ kiện tiêu chuẩn. Các mục này ở mỗi quốc gia có thể khác nhau.

ข้อมูลจำเพาะ

รุ่น:	UH013G	UH014G
ความยาวของใบเลื่อย	600 mm	750 mm
ระยะชักต่อนาที	2,000 / 3,600 / 5,000 min ⁻¹	
ความยาวโดยรวม	1,085 mm	1,225 mm
แรงดันไฟฟ้าที่กำหนด	D.C. 36 V - 40 V สูงสุด	
น้ำหนักสุทธิ	3.9 - 4.5 kg	4.0 - 4.7 kg
ระดับการป้องกัน	IPX4	

- เนื่องจากการค้นคว้าวิจัยและพัฒนาอย่างต่อเนื่อง ข้อมูลจำเพาะในเอกสารฉบับนี้อาจเปลี่ยนแปลงได้โดยไม่ต้องแจ้งให้ทราบล่วงหน้า
- ข้อมูลจำเพาะอาจแตกต่างกันไปในแต่ละประเทศ
- น้ำหนักอาจแตกต่างกันไปตามอุปกรณ์เสริม รวมถึงตัวแบตเตอรี่ การติดอุปกรณ์เสริมที่เบาที่สุดและหนักที่สุดตามข้อบังคับของ EPTA 01/2014 มีแสดงอยู่ในตาราง

ตัวแบตเตอรี่และเครื่องชาร์จที่ใช้ได้

ตัวแบตเตอรี่	BL4020* / BL4025* / BL4040* / BL4050F * : แบตเตอรี่ที่แนะนำ
เครื่องชาร์จ	DC40RA / DC40RB / DC40RC

- ตัวแบตเตอรี่และเครื่องชาร์จบางรายการที่แสดงอยู่ด้านบนอาจไม่มีวางจำหน่ายขึ้นอยู่กับภูมิภาคที่คุณอาศัยอยู่

คำเตือน: ใช้ตัวแบตเตอรี่และเครื่องชาร์จที่ระบุไว้ข้างบนเท่านั้น การใช้ตัวแบตเตอรี่และเครื่องชาร์จประเภทอื่นอาจก่อให้เกิดความเสี่ยงที่จะได้รับบาดเจ็บและ/หรือเกิดไฟไหม้

แหล่งจ่ายไฟแบบเชื่อมต่อสายไฟที่แนะนำ

ชุดคั่นกำลังแบบพกพา	PDC01 / PDC1200
---------------------	-----------------

- แหล่งจ่ายไฟแบบเชื่อมต่อสายไฟตามรายการด้านบนอาจไม่มีจำหน่ายขึ้นอยู่กับภูมิภาคที่คุณอยู่
- ก่อนใช้งานแหล่งจ่ายไฟแบบเชื่อมต่อสายไฟให้อ่านคำแนะนำและเครื่องหมายเตือนที่ติดอยู่

สัญลักษณ์

ต่อไปนี้เป็นสัญลักษณ์ที่อาจใช้สำหรับอุปกรณ์ โปรดศึกษาความหมายของสัญลักษณ์ให้เข้าใจก่อนการใช้งาน



อ่านคู่มือการใช้งาน



อันตราย - ดูแลให้มืออยู่ห่างจากใบเลื่อย



สวมแว่นตานิรภัย



NI-MH
Li-Ion

สำหรับประเทศในสหภาพยุโรปเท่านั้น เนื่องจากในอุปกรณ์มีสวิตช์ประกอบอันตราย ชะงักพวกอุปกรณ์ไฟฟ้า และอิเล็กทรอนิกส์ แบตเตอรี่ และหม้อแบตเตอรี่จึงอาจส่งผลต่อสิ่งแวดล้อมและสุขภาพอนามัยของมนุษย์ในเชิงลบ อย่างไรก็ตามการใช้ไฟฟ้าและอิเล็กทรอนิกส์หรือแบตเตอรี่ร่วมกับวัสดุเหลือทิ้งในครัวเรือน!

เพื่อให้เป็นไปตามกฎระเบียบของยุโรปว่าด้วยชะงักพวกอุปกรณ์ไฟฟ้าและอิเล็กทรอนิกส์ และหม้อสะสมไฟฟ้าและแบตเตอรี่ และชะงักพวกหม้อสะสมไฟฟ้าและแบตเตอรี่ รวมถึงการบังคับใช้ตามกฎหมายภายในประเทศ ควรมีการจัดเก็บชะงักพวกอุปกรณ์ไฟฟ้า แบตเตอรี่ และหม้อสะสมไฟฟ้าแยกต่างหากและส่งไปยังจุดรับชะงักต่างหากในเขตเทศบาลซึ่งมีการดำเนินการตามระเบียบว่าด้วยการดูแลสิ่งแวดล้อม

โดยระบุด้วยสัญลักษณ์เส้นคาดขวางรูปถังขยะแบบมีล้อไว้บนอุปกรณ์

จุดประสงค์การใช้งาน

เครื่องมือนี้ใช้สำหรับตัดแต่งพุ่มไม้

คำเตือนด้านความปลอดภัย

คำเตือนด้านความปลอดภัยของเครื่องมือไฟฟ้าทั่วไป

⚠ คำเตือน: โปรดอ่านคำเตือนด้านความปลอดภัย คำแนะนำ ภาพประกอบ และข้อมูลจำเพาะต่างๆ ที่ให้มากับเครื่องมือไฟฟ้าก่อนใช้งานละเอียด การไม่ปฏิบัติตามคำแนะนำดังต่อไปนี้อาจส่งผลให้เกิดไฟฟ้าช็อต ไฟไหม้ และ/หรือได้รับบาดเจ็บอย่างร้ายแรงได้

เก็บรักษาคำเตือนและคำแนะนำทั้งหมดไว้เป็นข้อมูลอ้างอิงในอนาคต

คำว่า “เครื่องมือไฟฟ้า” ในคำเตือนนี้หมายถึงเครื่องมือนำไฟฟ้า (มีสาย) ที่ทำงานโดยใช้กระแสไฟฟ้าหรือเครื่องมือไฟฟ้า (ไร้สาย) ที่ทำงานโดยใช้แบตเตอรี่

ความปลอดภัยของพื้นที่ทำงาน

1. ดูแลพื้นที่ทำงานให้มีความสะอาดและมีแสงไฟสว่าง พื้นที่ที่รกกระเบื้องกระเบื้องหรือมีดที่บอบช้ำนำไปสู่การเกิดอุบัติเหตุได้
2. อย่าใช้งานเครื่องมือไฟฟ้าในสภาพที่อาจเกิดการระเบิด เช่น ในสถานที่ที่มีของเหลว ก๊าซ หรือฝุ่นผงที่มีคุณสมบัติไวไฟ เครื่องมือไฟฟ้าอาจสร้างประกายไฟและจุดชนวนฝุ่นผงหรือก๊าซดังกล่าว
3. ดูแลไม่ให้มีเด็กหรือบุคคลอื่นอยู่ในบริเวณที่กำลังใช้เครื่องมือไฟฟ้า การมีสิ่งรบกวนสมาธิอาจทำให้คุณสูญเสียการควบคุม

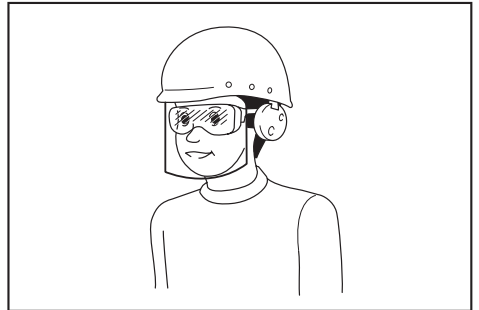
ความปลอดภัยด้านไฟฟ้า

1. ปลั๊กของเครื่องมือไฟฟ้าต้องพอดีกับเต้ารับ อย่าดัดแปลงปลั๊กไม่ว่ากรณีใดๆ อย่าใช้ปลั๊กอะแดปเตอร์กับเครื่องมือไฟฟ้าที่ต่อสายดิน ปลั๊กที่ไม่ถูกดัดแปลงและเต้ารับที่เข้ากันพอดีจะช่วยลดความเสี่ยงของการเกิดไฟฟ้าช็อต
2. ระมัดระวังให้ร่างกายสัมผัสกับพื้นผิวที่ต่อสายดิน เช่น ท่อ เครื่องนำความร้อน เตาหุงต้ม และตู้เย็น มีความเสี่ยงที่จะเกิดไฟฟ้าช็อตสูงขึ้น หากร่างกายของคุณสัมผัสกับพื้น
3. อย่าให้เครื่องมือไฟฟ้าถูกน้ำหรืออยู่ในสภาพเปียกชื้น น้ำที่ไหลเข้าไปในเครื่องมือไฟฟ้าจะเพิ่มความเสี่ยงของการเกิดไฟฟ้าช็อต

- อย่าใช้สายไฟอย่างไม่เหมาะสม อย่าใช้สายไฟเพื่อยก ดึง หรือถอดปลั๊กเครื่องมือไฟฟ้า เก็บสายไฟให้ห่างจากความร้อน น้ำมัน ของมีคม หรือชิ้นส่วนที่เคลื่อนที่ สายที่ชำรุดหรือพันกันจะเพิ่มความเสี่ยงของการเกิดไฟฟ้าช็อต
- ขณะที่ใช้งานเครื่องมือไฟฟ้านอกอาคาร ควรใช้สายต่อพ่วงที่เหมาะสมกับงานภายนอกอาคาร การใช้สายที่เหมาะสมกับงานภายนอกอาคารจะลดความเสี่ยงของการเกิดไฟฟ้าช็อต
- หากต้องใช้งานเครื่องมือไฟฟ้าในสถานที่เปียกชื้น ให้ใช้อุปกรณ์ป้องกันกระแสไฟรั่ว (RCD) การใช้ RCD จะลดความเสี่ยงของการเกิดไฟฟ้าช็อต
- เครื่องมือไฟฟ้าอาจสร้างสนามแม่เหล็ก (EMF) ที่ไม่เป็นอันตรายต่อผู้ใช้ อย่างไรก็ตาม ผู้ใช้ที่ใส่เครื่องกระตุ้นหัวใจและอุปกรณ์ทางการแพทย์ที่คล้ายกันนี้ ควรติดต่อผู้ผลิตอุปกรณ์และ/หรือแพทย์เพื่อรับคำแนะนำก่อนใช้งานเครื่องมือไฟฟ้านี้
- แต่งกายให้เหมาะสม อย่าสวมเครื่องแต่งกายที่หลวมเกินไป หรือสวมเครื่องประดับ ดูแลไม่ให้เส้นผมและเสื้อผ้าอยู่ใกล้ชิ้นส่วนที่เคลื่อนที่ เสื้อผ้ารุ่มร่าม เครื่องประดับ หรือผมที่มีความยาวอาจเข้าไปติดในชิ้นส่วนที่เคลื่อนที่
- หากมีการจัดอุปกรณ์สำหรับดูดและจับฝุ่นไว้ในสถานที่ ให้ตรวจสอบว่าได้เชื่อมต่อและใช้งานอุปกรณ์นั้นอย่างเหมาะสม การใช้เครื่องดูดและจับฝุ่นจะช่วยลดอันตรายที่เกิดจากฝุ่นผงได้
- อย่าให้ความคุ้นเคยจากการใช้งานเครื่องมือเป็นประจำทำให้คุณทำตามตามสบายและละเลยหลักการเพื่อความปลอดภัยในการใช้เครื่องมือ การกระทำที่ไม่ระมัดระวังอาจทำให้เกิดการบาดเจ็บร้ายแรงภายในเสี้ยววินาที
- สวมใส่แว่นครอบตานิรภัยเพื่อปกป้องดวงตาของคุณจากการบาดเจ็บเมื่อใช้เครื่องมือไฟฟ้า แว่นครอบตาคงต้องได้มาตรฐาน ANSI Z87.1 ในสหรัฐอเมริกา, EN 166 ในยุโรป หรือ AS/NZS 1336 ในออสเตรเลีย/นิวซีแลนด์ ในออสเตรเลีย/นิวซีแลนด์ จะต้องสวมเกราะป้องกันใบหน้าเพื่อปกป้องใบหน้าของคุณอย่างถูกต้องตามกฎหมายด้วย

ความปลอดภัยส่วนบุคคล

- ให้ระมัดระวังและมีสติอยู่เสมอขณะใช้งานเครื่องมือไฟฟ้า อย่าใช้งานเครื่องมือไฟฟ้าในขณะที่คุณกำลังเหนื่อย หรือในสภาพที่มึนเมาจากยาเสพติด เครื่องดื่ม แอลกอฮอล์ หรือการใช้ยา ช่วงเวลาที่ขาดความระมัดระวังเมื่อกำลังใช้งานเครื่องมือไฟฟ้าอาจทำให้ได้รับบาดเจ็บร้ายแรง
- ใช้อุปกรณ์ป้องกันส่วนบุคคล สวมแว่นตาป้องกันเสมอ อุปกรณ์ป้องกัน เช่น หน้ากากกันฝุ่น รองเท้านิรภัย กันลื่น หมวกนิรภัย หรือเครื่องป้องกันการได้ยินที่ใช้ในสภาพที่เหมาะสมจะช่วยลดการบาดเจ็บ
- ป้องกันไม่ให้เกิดการเปิดใช้งานโดยไม่ตั้งใจ ตรวจสอบให้แน่ใจว่าสวิตช์ปิดอยู่ก่อนที่จะเชื่อมต่อกับแหล่งจ่ายไฟ และ/หรือชุดแบตเตอรี่ รวมทั้งตรวจสอบก่อนการยกหรือเคลื่อนย้ายเครื่องมือ การถอดนิ้วมือบริเวณสวิตช์เพื่อถอยเครื่องมือไฟฟ้า หรือการชาร์จไฟเครื่องมือไฟฟ้าในขณะที่เปิดสวิตช์อยู่อาจนำไปสู่การเกิดอุบัติเหตุ
- นำกฎฉบับปรับปรุงหรือประแจออกก่อนที่จะเปิดเครื่องมือไฟฟ้า ประแจหรือกฎแจที่เสียบค้างอยู่ในชิ้นส่วนที่หมุนได้ของเครื่องมือไฟฟ้าอาจทำให้ได้รับบาดเจ็บ
- อย่าทำงานในระยะที่สูดไอ้ม จัดท่ากรงยืนและการทรงตัวที่เหมาะสมตลอดเวลา เพราะจะทำให้ควบคุมเครื่องมือไฟฟ้าได้ดีขึ้นในสถานการณ์ที่ไม่คาดคิด



ผู้ว่าจ้างมีหน้าที่รับผิดชอบในการบังคับผู้ใช้งานเครื่องมือและบุคคลอื่นๆ ที่อยู่ในบริเวณที่ปฏิบัติงานให้ใช้อุปกรณ์ป้องกันที่เหมาะสม

การใช้และดูแลเครื่องมือไฟฟ้า

- อย่าฝืนใช้เครื่องมือไฟฟ้า ใช้เครื่องมือไฟฟ้าที่เหมาะสมกับการใช้งานของคุณ เครื่องมือไฟฟ้าที่เหมาะสมจะทำให้ได้งานที่มีประสิทธิภาพและปลอดภัยกว่าตามขีดความสามารถของเครื่องที่ได้รับการออกแบบมา
- อย่าใช้เครื่องมือไฟฟ้า หากสวิตช์ไม่สามารถเปิดปิดได้ เครื่องมือไฟฟ้าที่ควบคุมด้วยสวิตช์ไม่ได้เป็นสิ่งอันตรายและต้องได้รับการซ่อมแซม

3. ถอดปลั๊กจากแหล่งจ่ายไฟ และ/หรือชุดแบตเตอรี่ ออกจากเครื่องมือไฟฟ้าก่อนทำการปรับตั้ง เปลี่ยน อุปกรณ์เสริม หรือจัดเก็บเครื่องมือไฟฟ้า วิธีการ ป้องกันด้านความปลอดภัยดังกล่าวจะช่วยลดความเสี่ยงในการเปิดใช้งานเครื่องมือไฟฟ้าโดยไม่ตั้งใจ
4. จัดเก็บเครื่องมือไฟฟ้าที่ไม่ได้ใช้งานให้ห่างจากมือเด็ก และอย่าอนุญาตให้บุคคลที่ไม่คุ้นเคยกับเครื่องมือไฟฟ้าหรือคำแนะนำเหล่านี้ใช้งานเครื่องมือไฟฟ้า เครื่องมือไฟฟ้าจะเป็นอันตรายเมื่ออยู่ในมือของผู้ที่ไม่ได้รับการฝึกอบรม
5. บำรุงรักษาเครื่องมือไฟฟ้าและอุปกรณ์เสริม ตรวจสอบการประกอบที่ไม่ถูกต้องหรือการเชื่อมต่อของ ชิ้นส่วนที่เคลื่อนที่ การแตกหักของชิ้นส่วน หรือ สภาพอื่น ๆ ที่อาจส่งผลกระทบต่อการทำงานของ เครื่องมือไฟฟ้า หากมีความเสียหาย ให้นำเครื่องมือ ไฟฟ้าไปซ่อมแซมก่อนการใช้งาน อุบัติเหตุจำนวนมากเกิดจากการดูแลรักษาเครื่องมือไฟฟ้าอย่างไม่ถูกต้อง
6. ทำความสะอาดเครื่องมือตัดและลับให้คมอยู่เสมอ เครื่องมือการตัดที่มีการดูแลอย่างถูกต้องและมีขอบ การตัดคมมักจะมีปัญหาติดขัดน้อยและควบคุมได้ง่ายกว่า
7. ใช้เครื่องมือไฟฟ้า อุปกรณ์เสริม และวัสดุสิ้นเปลือง ชลช ตามคำแนะนำดังกล่าว พิจารณาสภาพการทำงานและงานที่จะลงมือทำ การใช้เครื่องมือไฟฟ้า เพื่อทำงานอื่นนอกเหนือจากที่กำหนดไว้อาจทำให้เกิด อันตราย
8. ดูแลมือจับและบริเวณมือจับให้แห้ง สะอาด และไม่มี น้ำมันและจารบีเปื้อน มือจับและบริเวณมือจับที่ลื่น จะทำให้ไม่สามารถจับและควบคุมเครื่องมือได้อย่าง ปลอดภัยในสถานการณ์ที่ไม่คาดคิด
9. ขณะใช้งานเครื่องมือ อย่าสวมใส่ถุงมือผ้าที่อาจเข้าไป ติดในเครื่องมือได้ หากถุงมือผ้าเข้าไปติดในชิ้นส่วนที่ กำลังเคลื่อนที่อยู่อาจทำให้ได้รับบาดเจ็บ

การใช้งานและดูแลเครื่องมือที่ใช้แบตเตอรี่

1. ชาร์จไฟใหม่ด้วยเครื่องชาร์จที่ระบุโดยผู้ผลิตเท่านั้น เครื่องชาร์จที่เหมาะสมสำหรับชุดแบตเตอรี่ประเภทหนึ่ง อาจเสี่ยงที่จะเกิดไฟไหม้หากนำไปใช้กับชุดแบตเตอรี่ อีกประเภทหนึ่ง
2. ใช้เครื่องมือไฟฟ้ากับชุดแบตเตอรี่ที่กำหนดมาโดยเฉพาะเท่านั้น การใช้ชุดแบตเตอรี่ประเภทอื่นอาจ ทำให้เสี่ยงที่จะได้รับบาดเจ็บและเกิดไฟไหม้

3. เมื่อไม่ใช้งานชุดแบตเตอรี่ ให้เก็บห่างจากวัตถุที่เป็น โลหะอื่น ๆ เช่น คลิปหนีบกระดาษ เหรียญ กุญแจ การกรัดเล็บ สกรู หรือวัตถุที่เป็นโลหะขนาดเล็ก อื่น ๆ ที่สามารถเชื่อมต่อกับขั้วหนึ่งกับอีกขั้วหนึ่งได้ การ ลัดวงจรขั้วแบตเตอรี่อาจทำให้อ่อนจัดหรือเกิดไฟไหม้
4. ในกรณีที่ใช้งานไม่ถูกต้อง อาจมีของเหลวไหลออก จากแบตเตอรี่ ให้หลีกเลี่ยงการสัมผัส หากสัมผัส โดนของเหลวโดยไม่ตั้งใจ ให้ล้างออกด้วยน้ำ หาก ของเหลวกระเด็นเข้าตา ให้รีบไปพบแพทย์ ของเหลว ที่ไหลออกจากแบตเตอรี่อาจทำให้ผิวหนังระคายเคือง หรือไหม้
5. ห้ามใช้ชุดแบตเตอรี่หรือเครื่องมือที่ชาร์จหรือมีการ แก้ว แบตเตอรี่ที่เสียหายหรือมีการแก้ไขอาจทำให้เกิดสิ่งที่คาดไม่ถึงได้ เช่น ไฟไหม้ ระเบิด หรือเสี่ยง ต่อการบาดเจ็บ
6. ห้ามให้ชุดแบตเตอรี่อยู่ใกล้ไฟ หรือบริเวณที่มีอุณหภูมิ สูงเกิน หากโดนไฟ หรืออุณหภูมิสูงเกิน 130 °C อาจ ก่อให้เกิดการระเบิดได้
7. กรุณาปฏิบัติตามคำแนะนำสำหรับการชาร์จไฟ และ ห้ามชาร์จแบตเตอรี่หรือเครื่องมือในบริเวณที่มี อุณหภูมิ นอกเหนือไปจากที่ระบุในคำแนะนำ การชาร์จ ไฟที่ไม่เหมาะสม หรืออุณหภูมิ นอกเหนือไปจากช่วง อุณหภูมิที่ระบุในคำแนะนำอาจทำให้แบตเตอรี่เสียหาย และเป็น การเพิ่มความเสี่ยงในการเกิดไฟไหม้

การซ่อมบำรุง

1. นำเครื่องมือไฟฟ้าเข้ารับบริการจากช่างซ่อมที่ผ่าน การรับรองโดยใช้อะไหล่แบบเดียวกันเท่านั้น เพราะจะ ทำให้การใช้เครื่องมือไฟฟ้ามีความปลอดภัย
2. ห้ามใช้ชุดแบตเตอรี่ที่เสียหาย ชุดแบตเตอรี่ที่ใช้ควร เป็นชุดที่มาจากผู้ผลิต หรือผู้ให้บริการที่ได้รับอนุญาต เท่านั้น
3. ปฏิบัติตามคำแนะนำในการหล่อลื่นและการเปลี่ยน อุปกรณ์เสริม

คำเตือนด้านความปลอดภัยของเครื่องตัดแต่ง พุ่มไม้ไร้สาย

1. ดูแลให้ทุกส่วนของร่างกายอยู่ห่างจากใบเลื่อย อย่างน้อย วัสดุที่ตัดแล้วออกหรือขี้วัสดุเพื่อทำการตัดในขณะที่ ใบเลื่อยกำลังทำงานอยู่ ใบเลื่อยจะยังคงเคลื่อนไหว ต่อไปแม้ว่าจะปิดสวิตซ์แล้วก็ตาม ชั่วขณะที่ขาดความ ระมัดระวังในขณะที่ใช้งานเครื่องตัดแต่งพุ่มไม้ อาจส่ง ผลให้ได้รับบาดเจ็บสาหัสได้

2. ถือเครื่องตัดแต่งพุ่มไม้โดยจับที่มือจับ ใบเลื่อยหยุดนิ่งแล้ว และระวางอย่าใช้งานสวิตช์ไฟใดๆ การถือเครื่องตัดแต่งพุ่มไม้ไม่อย่างเหมาะสมจะช่วยลดความเสี่ยงในการสตรัทเครื่องโดยไม่ตั้งใจและการบาดเจ็บจากใบเลื่อยที่เกิดขึ้นหลังจากนั้นได้
3. ขณะขนย้ายหรือเก็บเครื่องตัดแต่งพุ่มไม้ ให้ใส่ผ้าครอบใบเลื่อยเสมอ การจัดการเครื่องตัดแต่งพุ่มไม้ไม่อย่างเหมาะสมจะช่วยลดความเสี่ยงในการบาดเจ็บจากใบเลื่อยได้
4. เมื่อต้องการกำจัดสิ่งที่ติดอยู่หรือทำการบำรุงรักษาเครื่องมือ ให้ตรวจสอบว่าได้ปิดสวิตช์ไฟทุกอันและถอดหรือตัดการเชื่อมต่อชุดแบตเตอรี่ออกแล้ว การที่เครื่องตัดแต่งพุ่มไม้ทำงานขึ้นนั้นมาโดยไม่คาดคิดขณะที่กำลังกำจัดสิ่งที่ติดอยู่หรือทำการบำรุงรักษาเครื่องมือ อาจทำให้เกิดการบาดเจ็บร้ายแรงได้
5. ถือเครื่องตัดแต่งพุ่มไม้โดยจับพื้นผิวส่วนที่ห่อหุ้มด้วยฉนวนไฟฟ้าเท่านั้น เนื่องจากใบเลื่อยอาจสัมผัสกับสายไฟที่ซ่อนอยู่ ใบเลื่อยที่สัมผัสกับสายไฟที่ “มีกระแสไฟฟ้าไหลผ่าน” อาจทำให้ส่วนที่เป็นโลหะของเครื่องตัดแต่งพุ่มไม้ที่ไม่มีฉนวนหุ้ม “มีกระแสไฟฟ้าไหลผ่าน” และทำให้ผู้ปฏิบัติงานถูกไฟฟ้าช็อตได้
6. ให้สายไฟและสายเคเบิลถูกเส้นอยู่ห่างจากพื้นที่ตัดสายไฟและสายเคเบิลอาจซ่อนอยู่ในแนวต้นไม้เตี้ยหรือพุ่มไม้และอาจถูกใบมีดตัดขาดโดยไม่ตั้งใจได้
7. อย่าใช้เครื่องตัดแต่งพุ่มไม้ในสภาพอากาศที่ไม่ดี โดยเฉพาะเมื่อมีความเสี่ยงที่จะเกิดฟ้าผ่า ซึ่งจะเพิ่มความเสี่ยงในการถูกฟ้าผ่า

คำแนะนำด้านความปลอดภัยเพิ่มเติม

การเตรียมความพร้อม

1. ตรวจสอบว่าแนวพุ่มไม้และพุ่มไม้มีวัตถุแปลกปลอมหรือไม่ เช่น รั้วลวด หรือการเดินสายไฟที่ซ่อนอยู่ก่อนใช้งานเครื่องมือ
2. ห้ามให้เด็กหรือเยาวชนอายุต่ำกว่า 18 ปีใช้งานเครื่องมือ โดยอาจยกเว้นข้อจำกัดนี้ให้แก่เยาวชนที่มีอายุเกิน 16 ปี หากเยาวชนดังกล่าวได้ผ่านการฝึกอบรมภายใต้การควบคุมดูแลของผู้เชี่ยวชาญแล้ว
3. ผู้ที่ใช้งานอุปกรณ์เป็นครั้งแรกควรให้ผู้ใช้งานที่มีประสบการณ์แสดงวิธีใช้งานเครื่องมือให้ดู
4. ใช้เครื่องมือเมื่อมีสภาพร่างกายสมบูรณ์เท่านั้น หากรู้สึกเหนื่อย สวม臈จะลดลง โปรดใช้ความระมัดระวังเป็นพิเศษในช่วงท้ายของวันทำงาน ทำงานอย่างใจเย็นและใช้ความระมัดระวังทุกครั้ง ผู้ใช้ต้องรับผิดชอบต่อความเสียหายทั้งหมดที่เกิดขึ้นต่อบุคคลที่สัมผัส

5. ห้ามใช้เครื่องมือขณะอยู่ในสภาพที่มีเมฆจากยาเสพติด เครื่องดื่มแอลกอฮอล์ หรือการเซ้า
6. ถุงมือหนังอย่างหนาเป็นหนึ่งในการป้องกันพื้นฐานของเครื่องมือและจะต้องใส่ทุกครั้งที่ใช้งานเครื่องตัด และสวมรองเท้าแข็งแรงที่มีพื้นกันลื่น
7. ก่อนเริ่มทำงาน ให้ตรวจสอบเพื่อให้แน่ใจว่าเครื่องมือสามารถทำงานได้อย่างดีและปลอดภัย ตรวจสอบให้แน่ใจว่าได้ตัดตั้งที่ป้องกันแล้วอย่างเหมาะสม ห้ามใช้งานเครื่องมือที่ไม่ได้ประกอบอย่างสมบูรณ์

การใช้งาน

1. ถือเครื่องมือไว้ให้มั่นคงด้วยมือทั้งสองข้างขณะใช้งาน
2. เครื่องมือนี้จะต้องถูกใช้โดยผู้ใช้งานในระดับพื้นดินอย่าใช้เครื่องมือนี้บนบันไดหรือบนฐานที่ไม่มั่นคงอื่นๆ
3. อันตราย - อย่านำมือเข้าไปใกล้ใบเลื่อย การสัมผัสกับใบเลื่อยอาจทำให้ได้รับบาดเจ็บสาหัสได้
4. ตรวจสอบให้แน่ใจว่ามีท่ากรวยที่มั่นคงก่อนเริ่มทำงาน
5. อย่าใช้เครื่องมือโดยเปิดเครื่องทิ้งไว้เฉยๆ โดยไม่จำเป็น
6. ปิดสวิตช์เครื่องมือและถอดด้ามแบตเตอรี่ออกทันทีหากใบเลื่อยตัดสัมผัสกับรั้วหรือของแข็งอื่นๆ ตรวจสอบความเสียหายของใบเลื่อย และหาংশเสียหาย ให้เปลี่ยนใบเลื่อยทันที
7. ก่อนตรวจสอบใบมีดตัด แก้ไขความบกพร่อง หรือนำวัสดุที่ติดอยู่ในใบมีดตัดออก ให้ปิดสวิตช์เครื่องมือและถอดด้ามแบตเตอรี่ออก
8. ห้ามหันใบเลื่อยตัดเข้าตัวเองหรือผู้อื่น
9. หากใบเลื่อยหยุดหมุนเนื่องจากมีวัตถุแปลกปลอมเข้ามาติดระหว่างการทำงาน ให้ปิดสวิตช์เครื่องมือและถอดด้ามแบตเตอรี่ จากนั้นนำวัตถุแปลกปลอมออกโดยใช้เครื่องมือ เช่น คีม การนำวัตถุแปลกปลอมออกด้วยมือเปล่าอาจทำให้ได้รับบาดเจ็บ เนื่องจากใบเลื่อยอาจเคลื่อนที่ซึ่งเป็นปฏิกิริยาตอบกลับเพื่อนำวัตถุแปลกปลอมออก
10. เมื่อคุณใช้เครื่องมือบนพื้นที่เป็นโคลน ทางลาดที่เปียกหรือสถานที่ที่ลื่น ให้ระวางการยืนของคุณ
11. อย่าจุ่มเครื่องมือลงไปในแอ่งน้ำ
12. อย่าวางเครื่องมือทิ้งไว้บนอาคารกลางฝน

ความปลอดภัยทางไฟฟ้าและแบตเตอรี่

1. หลีกเลี่ยงการใช้งานในสภาพแวดล้อมที่อันตราย ห้ามใช้เครื่องมือในพื้นที่เปียกชื้นหรือโดนเม็ดฝน น้ำที่เข้าไปในเครื่องมือจะเพิ่มความเสี่ยงในการเกิดไฟฟ้าช็อต

2. อย่าก้าจัดแบตเตอรี่ในไฟ แบตเตอรี่อาจจะระเบิดได้ ตรวจสอบรหัสที่ท้องถิ่นสำหรับคำแนะนำเกี่ยวกับการก้าจัดทิ้งแบบพิเศษ
3. อย่าเปิดหรือทำให้แบตเตอรี่เสียหาย อิเล็กโทรไลต์ที่ถูกปล่อยออกมามีคุณสมบัติกัดกร่อน และอาจทำลายดวงตาหรือผิวหนังได้ อาจเป็นพิษหากกลืนกินเข้าไป
4. อย่าชาร์จแบตเตอรี่กลางฝนหรือในสถานที่ที่เปียก
5. ห้ามชาร์จไฟนอกบ้าน หรือกลางแจ้ง
6. ห้ามจับอุปกรณ์ชาร์จรวมถึงปลั๊กเครื่องชาร์จและขั้วอุปกรณ์ชาร์จด้วยมือที่เปียก
7. อย่าเปลี่ยนแบตเตอรี่ด้วยมือที่เปียก
8. อย่าเปลี่ยนแบตเตอรี่กลางฝน
9. อย่าให้ขั้วแบตเตอรี่เปียกของเหลว เช่น น้ำ หรืออย่าให้แบตเตอรี่แช่ในน้ำ อย่าทิ้งแบตเตอรี่ไว้กลางฝน และไมชาร์จ ใช้ หรือเก็บแบตเตอรี่ในสถานที่ที่ชื้นหรือเปียก หากขั้วเปียกหรือของเหลวเข้าไปด้านในแบตเตอรี่ แบตเตอรี่อาจลัดวงจร และมีความเสี่ยงที่จะเกิดความร้อนสูง ไฟไหม้ หรือระเบิดได้
10. หลังถอดแบตเตอรี่ออกจากเครื่องมือหรือเครื่องชาร์จ ตรวจสอบให้แน่ใจว่าได้ติดตั้งฝาครอบแบตเตอรี่เข้ากับแบตเตอรี่และเก็บไว้ในที่แห้งแล้ว
11. หากดลับบatteryเปียก ให้ระบายน้ำภายในออกแล้วเช็ดด้วยผ้าแห้ง ปล่อยให้ดลับบatteryแห้งสนิทในที่แห้งก่อนใช้งาน

การบำรุงรักษาและการเก็บรักษา

1. ปิดสวิตช์เครื่องมือและถอดดลับบatteryออกก่อนทำการบำรุงรักษาใดๆ
2. ขณะย้ายเครื่องมือไปที่อื่น รวมถึงในระหว่างทำงาน ให้ถอดดลับบatteryออกและใส่ฝาครอบใบเลื่อยบนใบมีดตัดเสมอ ห้ามถือหรือขนย้ายเครื่องมือโดยที่ใบมีดกำลังทำงานอยู่ ห้ามจับใบมีดด้วยมือเด็ดขาด
3. ทำความสะอาดเครื่องมือและโดยเฉพาะใบมีดหลังใช้งาน และก่อนเก็บเครื่องมือเป็นระยะเวลานาน ทาน้ำมันบางๆ บนใบเลื่อยและใส่ฝาครอบใบเลื่อย
4. เก็บเครื่องมือพร้อมใส่ฝาครอบใบเลื่อยในท้องที่แห้งเก็บให้ห่างจากมือเด็ก ห้ามเก็บเครื่องมือไว้กลางแจ้ง
5. อย่าทิ้งแบตเตอรี่ในกองไฟ เซลล์แบตเตอรี่อาจจะระเบิดได้ ตรวจสอบหลักเกณฑ์ในท้องถิ่นเพื่อค้นหาคำแนะนำในการก้าจัดที่อาจต้องทำเป็นพิเศษ
6. อย่าแกะหรือทำลายแบตเตอรี่ สารละลายอิเล็กโทรไลต์ที่รั่วออกมามีฤทธิ์กัดกร่อนและสามารถทำให้เกิดอันตรายต่อดวงตาหรือผิวหนัง อาจเป็นพิษได้หากกลืนลงไป
7. อย่าชาร์จแบตเตอรี่กลางฝนหรือในสถานที่ที่เปียก

8. เมื่อจัดเก็บเครื่องมือ ให้หลีกเลี่ยงแสงแดดโดยตรงและฝน และจัดเก็บเครื่องมือไว้ในที่ที่จะไม่เกิดความร้อนหรือความชื้น

ปฏิบัติตามคำแนะนำเหล่านี้

⚠ คำเตือน: อย่าให้ความไม่ระมัดระวังหรือความคุ้นเคยกับผลิตภัณฑ์ (จากการใช้งานซ้ำหลายครั้ง) อยู่เหนือการปฏิบัติตามกฎเกณฑ์ด้านความปลอดภัยในการใช้งานผลิตภัณฑ์อย่างเคร่งครัด การใช้งานอย่างไม่เหมาะสมหรือการไม่ปฏิบัติตามกฎเกณฑ์ด้านความปลอดภัยในคู่มือการใช้งานนี้อาจทำให้ได้รับบาดเจ็บร้ายแรง

คำแนะนำเพื่อความปลอดภัยที่สำคัญสำหรับดลับบattery

1. ก่อนใช้งานดลับบattery ให้อ่านคำแนะนำและเครื่องหมายเตือนทั้งหมดบน (1) เครื่องชาร์จแบตเตอรี่ (2) แบตเตอรี่ และ (3) ตัวผลิตภัณฑ์ที่ใช้แบตเตอรี่
2. อย่าถอดแยกชิ้นส่วนหรือทำการดัดแปลงดลับบattery เนื่องจากอาจทำให้เกิดไฟไหม้ ความร้อนที่สูงเกินไป หรือระเบิดได้
3. หากระยะเวลาที่เครื่องทำงานสั้นเกินไป ให้หยุดใช้งานทันที เนื่องจากอาจมีความเสี่ยงที่จะร้อนจัด ไหม้หรือระเบิดได้
4. หากสารละลายอิเล็กโทรไลต์กระเด็นเข้าตา ให้ล้างออกด้วยน้ำเปล่าและรีบไปพบแพทย์ทันที เนื่องจากอาจทำให้ตาบอด
5. ห้ามลัดวงจรดลับบattery:
 - (1) ห้ามแตะขั้วกับวัตถุที่เป็นสื่อไฟฟ้าใดๆ
 - (2) หลีกเลี่ยงการเก็บดลับบatteryไว้ในภาชนะร่วมกับวัตถุที่เป็นโลหะ เช่น กรรไกรตัดเล็บ เหรียญ ฯลฯ
 - (3) อย่าให้ดลับบatteryถูกนำหรือฝน แบตเตอรี่ลัดวงจรอาจทำให้เกิดการไหลของกระแสไฟฟ้า ร้อนจัด ไหม้หรือเสียหายได้
6. ห้ามเก็บและใช้เครื่องมือและดลับบatteryไว้ในสถานที่ที่อุณหภูมิสูงถึงหรือเกิน 50 °C (122 °F)
7. ห้ามเผาดลับบatteryทิ้ง แม้ว่าแบตเตอรี่จะเสียหายจนใช้การไม่ได้หรือเสื่อมสภาพแล้ว ดลับบatteryอาจจะระเบิดในกองไฟ
8. อย่าตกตะปุด ตบ ขว้าง หรือทำดลับบattery หล่นพื้น หรือกระแทกดลับบatteryกับวัตถุของแข็ง การกระแทกดังกล่าวอาจส่งผลให้เกิดไฟไหม้ ความร้อนที่สูงเกินไป หรือระเบิดได้

9. ห้ามใช้แบตเตอรี่ที่เสียหาย
10. แบตเตอรี่ลิเทียมไอออนที่มีอายุให้เน้นเป็นไปตามข้อกำหนดของ Dangerous Goods Legislation สำหรับภาวขนส่งเพื่อการพาณิชย์ เช่น โดยบุคคลที่สาม ตัวแทนขนส่งสินค้า จะต้องตรวจสอบข้อกำหนดพิเศษในด้านการบรรจุหีบห่อหรือการติดป้ายสินค้าในการเตรียมสินค้าที่จะขนส่ง ให้ปรึกษาผู้เชี่ยวชาญด้านวัตถุอันตราย โปรดตรวจสอบข้อกำหนดในประเทศที่อาจมีรายละเอียดอื่นๆ เพิ่มเติม ให้ติดเทปหรือปิดหน้าสัมผัสและห่อแบตเตอรี่ในลักษณะที่แบตเตอรี่จะไม่เคลื่อนที่ไปมาในหีบห่อ
11. เมื่อกำจัดตลับแบตเตอรี่ ให้ถอดตลับแบตเตอรี่ออกจากเครื่องมือและกำจัดในสถานที่ที่ปลอดภัย ปฏิบัติตามข้อบังคับในท้องถิ่นที่เกี่ยวกับการกำจัดแบตเตอรี่
12. ใช้แบตเตอรี่กับผลิตภัณฑ์ที่ระบุโดย Makita เท่านั้น การติดตั้งแบตเตอรี่ในผลิตภัณฑ์ที่ไม่ใช่ตามที่ระบุอาจทำให้เกิดไฟไหม้ ความร้อนสูง ระเบิด หรืออิเล็กทรอนิกส์รั่วไหลได้
13. หากไม่ใช้เครื่องมือเป็นระยะเวลานาน จะต้องถอดแบตเตอรี่ออกจากเครื่องมือ
14. ในระหว่างและหลังการใช้งาน ตลับแบตเตอรี่อาจร้อนซึ่งอาจลวกผิวหรือทำให้ผิวไหม้ที่อุณหภูมิต่ำได้ โปรดระมัดระวังในการจัดการกับแบตเตอรี่ที่ร้อน
15. อย่าสัมผัสขั้วของเครื่องมือทันทีหลังจากการใช้งาน เนื่องจากอาจมีความร้อนพอที่จะทำให้ผิวไหม้ได้
16. อย่าปล่อยให้เศษวัสดุ ฝุ่นผง หรือดินเข้าไปติดอยู่ในขั้ว รู และร่องของตลับแบตเตอรี่ เนื่องจากอาจทำให้เกิดความร้อน ไฟไหม้ ระเบิด และทำให้เครื่องมือหรือตลับแบตเตอรี่ทำงานผิดปกติ ส่งผลให้โดนลวกหรือเกิดการบาดเจ็บได้
17. หากเครื่องมือไม่รองรับสายไฟแรงดันสูง อย่าใช้ตลับแบตเตอรี่ใกล้กับสายไฟแรงดันสูง เนื่องจากเครื่องมือหรือตลับแบตเตอรี่อาจทำงานผิดปกติหรือเสียหายได้
18. เก็บแบตเตอรี่ให้ห่างจากเด็ก

ปฏิบัติตามคำแนะนำเหล่านี้

⚠️ ข้อควรระวัง: ใช้แบตเตอรี่ของแท้จาก Makita เท่านั้น การใช้แบตเตอรี่ Makita ที่ไม่แท้ หรือแบตเตอรี่ที่ถูกเปลี่ยน อาจทำให้แบตเตอรี่ระเบิด ก่อให้เกิดเพลิงลุกไหม้ การบาดเจ็บ และความเสียหายได้ และจะทำให้การรับประกันของ Makita สำหรับเครื่องมือและแท่นชาร์จของ Makita เป็นโมฆะด้วย

เคล็ดลับในการรักษาอายุการใช้งานของ

แบตเตอรี่ให้ยาวนานที่สุด

1. ชาร์จตลับแบตเตอรี่ก่อนที่ไฟจะหมด หยุดการใช้งานแล้วชาร์จประจุไฟฟ้าใหม่ทุกครั้งเมื่อคุณรู้สึกว่าคุณปรารถนามีกำลังลดลง
2. อย่าชาร์จตลับแบตเตอรี่ที่มีไฟเต็มแล้ว การชาร์จประจุไฟฟ้ามากเกินไปอาจจะทำให้อายุการใช้งานของตลับแบตเตอรี่สั้นลง
3. ชาร์จประจุไฟฟ้าตลับแบตเตอรี่ในห้องที่มีอุณหภูมิระหว่าง 10 °C - 40 °C ปล่อยให้ตลับแบตเตอรี่เย็นลงก่อนที่จะชาร์จไฟ
4. เมื่อไม่ใช้ตลับแบตเตอรี่ ให้ถอดออกจากเครื่องมือหรือเครื่องชาร์จ
5. ชาร์จไฟตลับแบตเตอรี่หากคุณไม่ต้องการใช้เป็นเวลานาน (เกินกว่าหกเดือน)

คำอธิบายการทำงาน

⚠️ ข้อควรระวัง: ตรวจสอบให้แน่ใจว่าได้ปิดสวิตช์เครื่องมือและถอดตลับแบตเตอรี่ออกก่อนปรับตั้งหรือตรวจสอบการทำงานของเครื่องมือ

การใส่หรือการถอดตลับแบตเตอรี่

⚠️ ข้อควรระวัง: ปิดสวิตช์เครื่องมือก่อนทำการติดตั้งหรือการถอดตลับแบตเตอรี่ทุกครั้ง

⚠️ ข้อควรระวัง: ถึงเครื่องมือและตลับแบตเตอรี่ให้แน่นในระหว่างการติดตั้งหรือการถอดตลับแบตเตอรี่ หากไม่ถึงเครื่องมือและตลับแบตเตอรี่ให้แน่น อาจทำให้ตลับแบตเตอรี่และเครื่องมือลื่นหลุดมือ และทำให้เครื่องมือและตลับแบตเตอรี่เสียหายหรือได้รับบาดเจ็บได้

▶ **หมายเลข 1:** 1. ซีลสีแดง 2. ปุ่ม 3. ตลับแบตเตอรี่

เมื่อต้องการถอดตลับแบตเตอรี่ ให้เลื่อนปุ่มที่ด้านหน้าของตลับแล้วดึงออกจากเครื่องมือ

การติดตั้งตลับแบตเตอรี่ ให้จัดตำแหน่งลิ้นของตลับแบตเตอรี่ให้ตรงกับร่องของเครื่อง แล้วเลื่อนเข้าไป ใส่ตลับแบตเตอรี่เข้าจนสุดจนกระทั่งได้ยินเสียงคลิกล็อกเข้าที่ หากยังเห็นซีลสีแดงตามที่แสดงในภาพ แสดงว่าตลับแบตเตอรี่ยังไม่ล็อกเข้าที่

⚠ ข้อควรระวัง: ให้ดันตลับแบตเตอรี่เข้าจนสุดจนไม่เห็นขีลสีแดงอีก ไม่เช่นนั้น ตลับแบตเตอรี่อาจหลุดออกจากเครื่องมือทำให้คุณหรือคนรอบข้างได้รับบาดเจ็บ

⚠ ข้อควรระวัง: อย่าฝืนติดตั้งตลับแบตเตอรี่โดยใช้แรงมากเกินไป หากตลับแบตเตอรี่ไม่เลื่อนเข้าไปโดยง่าย แสดงว่าใส่ไม่ถูกต้อง

การระบุระดับพลังงานแบตเตอรี่ที่เหลืออยู่

กดปุ่ม ตรวจสอบ บนตลับแบตเตอรี่เพื่อดูปริมาณแบตเตอรี่ที่เหลือ ไฟแสดงสถานะจะสว่างขึ้นเป็นเวลาสองสามวินาที

▶ **หมายเลข 2:** 1. ไฟแสดงสถานะ 2. ปุ่มตรวจสอบ

ไฟแสดงสถานะ			แบตเตอรี่ที่เหลือ
ไฟสว่าง	ดับ	กะพริบ	
			75% ถึง 100%
			50% ถึง 75%
			25% ถึง 50%
			0% ถึง 25%
			ชาร์จไฟแบตเตอรี่
			แบตเตอรี่อาจจะเสีย

หมายเหตุ: ขึ้นอยู่กับสภาพการใช้งานและอุณหภูมิ โดยรอบ การแสดงสถานะอาจจะแตกต่างจากปริมาณแบตเตอรี่จริงเล็กน้อย

หมายเหตุ: ไฟแสดงสถานะดวงแรก (ซ้ายสุด) จะกะพริบเมื่อระบบป้องกันแบตเตอรี่ทำงาน

ระบบป้องกันเครื่องมือ/แบตเตอรี่

เครื่องมือที่มีระบบป้องกันเครื่องมือ/แบตเตอรี่ ระบบนี้จะตัดไฟที่ส่งไปยังมอเตอร์โดยอัตโนมัติเพื่อยืดอายุการใช้งานเครื่องมือและแบตเตอรี่ เครื่องมือจะหยุดทำงานระหว่างการใช้งานโดยอัตโนมัติ หากเครื่องมืออยู่ภายใต้สถานการณ์ต่อไปนี้

▶ **หมายเลข 3:** 1. ไฟเตือน

สี	ไฟเตือน		สถานะ
	● สว่าง	⦿ กะพริบ	
สีเขียว		⦿	ทำงานหนักเกินไป
สีแดง	● (เครื่องมือ) / ● (แบตเตอรี่)		ความร้อนสูงเกินไป
สีแดง		⦿	พลังงานแบตเตอรี่รั่วไหล

ข้อสังเกต: เครื่องมือจะหยุดทำงานอัตโนมัติโดยไม่มีสัญญาณเตือนโดยขึ้นอยู่กับสภาพการใช้งาน หากกึ่งไม้หรือเศษต่างๆ เข้าไปติดในเครื่องมือ ในกรณีนี้ ให้ปิดสวิตช์เครื่องมือและถอดตลับแบตเตอรี่ออก จากนั้นนำกึ่งไม้หรือเศษอื่นๆ ออกโดยใช้เครื่องมือ เช่น คีม หลังจากนำกึ่งไม้หรือเศษอื่นๆ ออกแล้ว ให้ใส่ตลับแบตเตอรี่แล้วเปิดเครื่องมืออีกครั้ง

การป้องกันโอเวอร์โหลด

หากเครื่องมือหรือแบตเตอรี่ทำงานหนักเกินไปเนื่องจากมีกึ่งไม้หรือเศษอื่นๆ เข้าไปติด เครื่องมือจะหยุดทำงานโดยอัตโนมัติและไฟเตือนจะเริ่มกะพริบเป็นสีเขียว

ในกรณีนี้ ให้ปิดเครื่องมือและหยุดการใช้งานในลักษณะที่อาจทำให้เครื่องมือทำงานหนักเกินไป แล้วเปิดเครื่องมือเพื่อเริ่มทำงานอีกครั้ง

การป้องกันความร้อนสูงเกินไปสำหรับเครื่องมือหรือแบตเตอรี่

หากเครื่องมือหรือตลับแบตเตอรี่เกิดความร้อนสูงเกินไป เครื่องมือจะหยุดทำงานโดยอัตโนมัติ เมื่อเครื่องมือเกิดความร้อนสูงเกินไป ไฟเตือนจะสว่างเป็นสีแดง เมื่อตลับแบตเตอรี่เกิดความร้อนสูงเกินไป ไฟเตือนจะกะพริบเป็นสีแดง ปล่อยให้เครื่องมือและ/หรือแบตเตอรี่เย็นลงก่อนที่จะเปิดเครื่องมืออีกครั้ง

การป้องกันไฟหมด

เมื่อความจุแบตเตอรี่เหลือน้อย เครื่องมือจะหยุดทำงานโดยอัตโนมัติและไฟเตือนจะเริ่มกะพริบเป็นสีแดง หากเครื่องมือไม่ทำงานแม้ว่าจะกดสวิตช์แล้ว ให้ถอดด้ามแบตเตอรี่ออกจากเครื่องมือแล้วนำไปชาร์จ

การป้องกันจากสาเหตุอื่นๆ

ระบบป้องกันได้รับการออกแบบมาเพื่อสาเหตุอื่นๆ ที่อาจสร้างความเสียหายต่อเครื่องมือและทำให้เครื่องมือหยุดทำงานโดยอัตโนมัติ ดำเนินการตามขั้นตอนดังต่อไปนี้ทุกขั้นตอนเพื่อกำจัดสาเหตุออกไป เมื่อเครื่องมือหยุดทำงานชั่วคราวหรือหยุดทำงาน

1. ปิดเครื่องมือ แล้วเปิดใหม่เพื่อเริ่มใช้งานอีกครั้ง
2. ชาร์จหรือเปลี่ยนแบตเตอรี่โดยนำแบตเตอรี่ที่ชาร์จแล้วมาใช้แทน
3. ทิ้งให้เครื่องจักรและแบตเตอรี่เย็นลง

หากอาการไม่ดีขึ้นเมื่อเปิดระบบป้องกันอีกครั้ง ให้ติดต่อศูนย์บริการ Makita ใกล้บ้านคุณ

การทำงานของสวิตช์ไฟ

คำเตือน: เพื่อความปลอดภัยของคุณ เครื่องมือนี้มีการติดตั้งมาด้วยซึ่งจะช่วยป้องกันไม่ให้เครื่องมือเริ่มทำงานโดยไม่ได้ตั้งใจ ห้ามใช้เครื่องมือ หากเครื่องมือสามารถทำงานได้เมื่อคุณกดสวิตช์สั่งงานโดยไม่ได้กดก้าน นำเครื่องมือส่งศูนย์บริการที่ได้รับการรับรองของเรา เพื่อทำการซ่อมแซมก่อนการใช้งาน

คำเตือน: ห้ามพันเทปหรือขัดขวางการทำงานของก้าน

คำเตือน: ก่อนใส่ด้ามแบตเตอรี่ลงบนเครื่องมือ ให้ตรวจสอบว่าสวิตช์สั่งงานและก้านสามารถทำงานได้อย่างถูกต้องและกลับไปยังตำแหน่ง "ปิด" เมื่อปล่อยเสมอ การใช้งานเครื่องมือที่สวิตช์ทำงานได้อย่างไม่ถูกต้องอาจนำไปสู่การสูญเสียการควบคุมและทำให้ได้รับบาดเจ็บสาหัสได้

ข้อควรระวัง: ห้ามวางนิ้วมือบนสวิตช์สั่งงานขณะถือเครื่องมืออาจเริ่มทำงานโดยไม่ได้ตั้งใจและทำให้ได้รับบาดเจ็บได้

ข้อสังเกต: อย่าดึงสวิตช์สั่งงานแรงๆ โดยไม่ได้กดก้าน เนื่องจากอาจทำให้สวิตช์เสียหายได้

กดที่ปุ่มไฟหลักเพื่อเปิดเครื่องมือ การปิดเครื่องมือ ให้กดปุ่มไฟหลักค้างไว้จนกระทั่งไฟบ่งชี้ความเร็วดับลง

- หมายเลข 4: 1. ปุ่มเปิดปิดหลัก

หมายเหตุ: ไฟเตือนจะกะพริบเมื่อสวิตช์สั่งงานถูกดึงภายใต้สภาวะที่ไม่สามารถทำงานได้ ไฟเตือนจะกะพริบเมื่อคุณเปิดสวิตช์ไฟหลักในขณะที่กดคันโยกและสวิตช์สั่งงานลง

หมายเหตุ: เครื่องมือนี้มีการป้องกันการปิดแบบอัตโนมัติเพื่อหลีกเลี่ยงการสตาร์ทเครื่องโดยไม่ได้ตั้งใจ สวิตช์ไฟหลักจะปิดโดยอัตโนมัติเมื่อไม่มีการดึงสวิตช์สั่งงานภายในระยะเวลาหนึ่งหลังจากเปิดสวิตช์ไฟหลักแล้ว










เพื่อป้องกันไม่ให้เกิดสวิตช์สั่งงานโดยไม่ได้ตั้งใจ จึงมีก้านติดตั้งมาให้ การเริ่มใช้งานเครื่องมือ ให้ดึงสวิตช์สั่งงานด้านหน้า แล้วดึงสวิตช์สั่งงานด้านหลังในขณะที่กดก้านไว้ เมื่อคุณปล่อยสวิตช์สั่งงานอันใดอันหนึ่ง เครื่องมือจะหยุดทำงาน

- หมายเลข 5: 1. ก้าน 2. สวิตช์สั่งงานด้านหลัง
3. สวิตช์สั่งงานด้านหน้า

การปรับความเร็ว

คุณสามารถปรับเลือกความเร็วของเครื่องมือได้โดยการกดที่ปุ่มไฟหลัก ในแต่ละครั้งที่คุณกดปุ่มไฟหลัก ระดับความเร็วจะเปลี่ยนแปลง

- หมายเลข 6: 1. ไฟบ่งชี้ความเร็ว 2. ปุ่มเปิดปิดหลัก

ไฟบ่งชี้ความเร็ว	โหมด	ความเร็วการชักใบเฉลี่ย
3  2  1 	สูง	5,000 min ⁻¹
3  2  1 	ปานกลาง	3,600 min ⁻¹
3  2  1 	ต่ำ	2,000 min ⁻¹

ปุ่มเปลี่ยนทิศทางสำหรับการกำจัดสิ่งสกปรก

คำเตือน: หากไม่สามารถนำกิ่งไม้หรือเศษอื่นๆ ที่ติดอยู่ออกมาได้ด้วยฟังก์ชันย้อนกลับ ให้ปิดสวิตช์เครื่องมือและถอดด้ามแบตเตอรี่ออก จากนั้นนำกิ่งไม้หรือเศษอื่นๆ ที่ติดอยู่ออกด้วยเครื่องมือ เช่น คีม การไม่ปิดสวิตช์เครื่องมือและถอดด้ามแบตเตอรี่ออกอาจทำให้ได้รับบาดเจ็บสาหัสเนื่องจากการเริ่มทำงานโดยไม่ตั้งใจ การนำกิ่งไม้หรือเศษอื่นๆ ที่ติดอยู่ออกด้วยมืออาจทำให้ได้รับบาดเจ็บ เนื่องจากใบเลื่อยตัดอาจเคลื่อนที่ด้วยปฏิกิริยาตอบโต้ในการนำสิ่งที่ติดอยู่ออก

เครื่องมือนี้ไม่มีปุ่มเปลี่ยนทิศทางเพื่อใช้เปลี่ยนทิศทางการเคลื่อนที่ของใบเลื่อยตัด ปุ่มนี้มีไว้สำหรับการนำกิ่งไม้และเศษอื่นๆ ที่ติดอยู่ในเครื่องมือออกเท่านั้น

เมื่อต้องเปลี่ยนทิศทางการทำงานของใบเลื่อยตัด กดปุ่มเปลี่ยนทิศทางเมื่อใบเลื่อยตัดหยุดการทำงาน จากนั้นดึงสวิตช์สั่งงานหน้า และดึงสวิตช์สั่งงานหลังขณะที่กดคันโยกไปข้างหน้า ความเร็วจะเริ่มกะพริบ และใบเลื่อยตัดจะเคลื่อนที่ในทิศทางตรงกันข้าม

เมื่อทำการนำกิ่งไม้หรือเศษอื่นๆ ออก เครื่องมือจะกลับสู่ทิศทางปกติและไปข้างหน้า ความเร็วจะเริ่มกะพริบและสว่างขึ้น

► **หมายเลข 7:** 1. ไปข้างหน้า ความเร็ว 2. ปุ่มเปลี่ยนทิศทาง

หมายเหตุ: หากไม่สามารถนำกิ่งไม้หรือเศษอื่นๆ ออกได้ ให้ปล่อยสวิตช์สั่งงานและกดปุ่มเปลี่ยนทิศทาง จากนั้นให้ดึงสวิตช์สั่งงานจนกระทั่งสิ่งที่ติดอยู่หลุดออก

หมายเหตุ: หากคุณแกะปุ่มเปลี่ยนทิศทางในขณะที่ยับเลื่อยตัดกำลังหมุนอยู่ เครื่องมือจะหยุดและเตรียมพร้อมสำหรับการเคลื่อนที่แบบย้อนกลับ

ฟังก์ชันอิเล็กทรอนิกส์

อุปกรณ์ถูกติดตั้งด้วยระบบไฟฟ้าเพื่อให้ใช้งานได้ง่าย

- ระบบควบคุมความเร็วคงที่
ระบบควบคุมความเร็วช่วยให้ระบบควบคุมความเร็วคงที่ได้ไม่ว่าจะอยู่ในสภาวะการทำงานใดๆ
- เบรกไฟฟ้า
เครื่องมือนี้มีเบรกไฟฟ้า หากเครื่องมือไม่สามารถทำการหยุดใบเลื่อยตัดได้อย่างรวดเร็วหลังจากปล่อยสวิตช์สั่งงานให้นำเครื่องมือไปซ่อมที่ศูนย์บริการที่ได้รับการรับรองจาก Makita
- ฟังก์ชันป้องกันการรีสตาร์ทโดยไม่ตั้งใจ
เครื่องมือจะสตาร์ทไม่ติดถึงแม้คุณจะติดตั้งด้ามแบตเตอรี่ขณะดึงสวิตช์สั่งงานแล้ว การเริ่มใช้งานเครื่องมือ ขึ้นแรกให้ปล่อยแล้วกดสวิตช์สั่งงาน

การประกอบ

คำเตือน: ตรวจสอบให้แน่ใจว่าได้ปิดสวิตช์เครื่องมือและถอดด้ามแบตเตอรี่ออกก่อนดำเนินการใดๆ กับเครื่องมือ

คำเตือน: เมื่อเปลี่ยนใบเลื่อยตัด ให้สวมถุงมือเสมอเพื่อไม่ให้มือสัมผัสกับใบเลื่อยโดยตรง

ข้อสังเกต: เมื่อเปลี่ยนใบมีดตัด อย่าใช้ตะจากรับออกจากเฟืองและข้อเหวี่ยง

การติดตั้งหรือการถอดใบเลื่อยตัด

คำเตือน: ติดตั้งฝาครอบใบเลื่อยก่อนถอดหรือติดตั้งใบมีดตัด

คุณสามารถติดตั้งใบเลื่อยตัดขนาด 600 mm หรือ 750 mm เข้ากับเครื่องมือได้

หมายเหตุ: หากคุณเปลี่ยนใบเลื่อยตัดที่มีควมยาวแตกต่างกัน ให้เปลี่ยนที่รับเศษใบไม้ให้เหมาะสมกับใบเลื่อย

1. ถอดสกรูสี่ตัว (สำหรับ UH013G) หรือห้าตัว (สำหรับ UH014G) แล้วจึงถอดที่รับเศษใบไม้ออกจากเครื่องมือ

สำหรับรุ่น UH013G

► **หมายเลข 8:** 1. ที่รับเศษใบไม้ 2. สกรู

สำหรับรุ่น UH014G

► **หมายเลข 9:** 1. ที่รับเศษใบไม้ 2. สกรู

2. วางเครื่องมือโดยพลิกเอาด้านบนลงด้านล่าง จากนั้นถอนสลักเกลียวหัวออก

► **หมายเลข 10:** 1. สลักเกลียว

3. ถอดฝาครอบและแผ่นโลหะออก

► **หมายเลข 11:** 1. ฝาครอบ 2. แผ่นโลหะ

หมายเหตุ: แผ่นโลหะอาจค้างอยู่บนฝาครอบ

4. ถอดแกนและด้ามลูกปืนออก

► **หมายเลข 12:** 1. แท่งโลหะ 2. ด้ามลูกปืน

หมายเหตุ: แกนหรือด้ามลูกปืนอาจค้างอยู่บนฝาครอบ

5. ถอนสลักเกลียวสามตัว ปลอกสามอัน และแผ่นขัดผ้าสักหลาดออก จากนั้นถอดใบเลื่อยตัดออก

► **หมายเลข 13:** 1. สกรู 2. ปลอก 3. แผ่นขัดผ้าสักหลาด 4. ใบเลื่อยตัด

ข้อสังเกต: ระวังอย่าทำสกรูสูญหาย

6. ถอดฝาครอบใบมีดออก จากนั้นใส่เข้ากับใบมีดตัดอันใหม่

▶ หมายเลข 14

7. ปรับข้อเหวี่ยงให้สูงสองรูตรงกับเส้นจัดแนว

▶ หมายเลข 15: 1. รู 2. เส้นจัดแนว

8. จัดส่วนที่ยื่นออกมาบนใบเลื่อยตัดให้อยู่ในตำแหน่งเดียวกันในแนวตั้ง

▶ หมายเลข 16: 1. ส่วนที่ยื่นออกมา

9. ใส่สกรูที่ถอดออกมาในขั้นตอนที่ 5 กลับเข้าไปในรูบนฝาครอบใบเลื่อยและใบเลื่อยเพื่อยึดใบเลื่อยชั่วคราว จากนั้นจึงใส่แผ่นขัดผ้าสักหลาดกับใบเลื่อย

▶ หมายเลข 17: 1. สกรู 2. แผ่นขัดผ้าสักหลาด 3. รู

10. สอดส่วนที่ยื่นออกมาบนใบเลื่อยตัดเข้าไปในรูบนแท่งโลหะ จากนั้นจัดตำแหน่งของแผ่นขัดผ้าสักหลาดให้ตรงกับรูบนเครื่องมือ ดัดปลอกอันใหม่สองอัน

▶ หมายเลข 18: 1. แผ่นขัดผ้าสักหลาด 2. ส่วนที่ยื่นออกมา 3. รู 4. ปลอก

ข้อสังเกต: ทาจาระบีเล็กน้อยที่เส้นรอบวงด้านในของรูของแท่งโลหะ

ข้อสังเกต: ระวังอย่าทำปลอกสูญหาย

11. จัดรูบนปลอกและใบเลื่อยให้ตรงกับรูบนเครื่องมือ จากนั้นจึงขันสกรูสองตัวเพื่อยึดใบเลื่อยชั่วคราว

▶ หมายเลข 19: 1. สกรู

12. ถอดสกรูที่ใส่อยู่ในรูบนใบเลื่อยในขั้นตอนที่ 9 แล้วจึงเลื่อนฝาครอบใบเลื่อย

▶ หมายเลข 20: 1. สกรู

13. ดัดปลอกอันใหม่

▶ หมายเลข 21: 1. ปลอก

14. ขันสกรูพร้อมกับปลอกเพื่อยึดใบเลื่อย

▶ หมายเลข 22: 1. สกรู

15. ขันสกรูที่ยึดไว้ชั่วคราวในขั้นตอนที่ 11 ให้แน่น

16. ติดตั้งดัลบลูกปืนและแกน

▶ หมายเลข 23: 1. แท่งโลหะ 2. รูขนาดเล็ก 3. ดัลบลูกปืน

ข้อสังเกต: ทาจาระบีเล็กน้อยที่เส้นรอบวงด้านในของรูขนาดเล็กของแท่งโลหะ

ข้อสังเกต: ตรวจสอบให้แน่ใจว่าส่วนที่ยื่นออกมาบนใบเลื่อยตัดใส่เข้าพอดีในรูขนาดเล็กบนแท่งโลหะ

17. ใส่แผ่นโลหะ

▶ หมายเลข 24: 1. ส่วนที่ยื่นออกมา 2. แผ่นโลหะ

ข้อสังเกต: ตรวจสอบให้แน่ใจว่าส่วนที่ยื่นออกมาบนใบเลื่อยตัดใส่เข้าพอดีในรูบนแผ่นโลหะ

18. ใส่ฝาครอบ จากนั้นขันสลักเกลียวหกตัวให้แน่น

▶ หมายเลข 25: 1. สลักเกลียว 2. ฝาครอบ

19. ใส่ที่รับเศษใบไม้เข้ากับเครื่องมือโดยขันสกรูสี่ตัว (สำหรับ UH013G) หรือห้าตัว (สำหรับ UH014G) ให้แน่น

สำหรับรุ่น UH013G

▶ หมายเลข 26: 1. ที่รับเศษใบไม้ 2. สกรู

สำหรับรุ่น UH014G

▶ หมายเลข 27: 1. ที่รับเศษใบไม้ 2. สกรู

ข้อสังเกต: หากใบเลื่อยตัดทำงานไม่ปรบปรน แสดงว่าใบเลื่อยตัดไม่ได้ถูกติดตั้งเข้ากับแท่งโลหะอย่างถูกต้อง ติดตั้งใบเลื่อยตัดอีกครั้ง

ข้อสังเกต: หากชิ้นส่วนอื่นที่นอกเหนือจากใบเลื่อยตัด เช่น แท่งโลหะเสื่อมสภาพ ให้สอบถามศูนย์บริการที่ได้รับบริการรับรองของ Makita เพื่อเปลี่ยนชิ้นส่วนใหม่และรับการซ่อมแซม

การถอดหรือการติดตั้งที่รับเศษใบไม้

⚠ ข้อควรระวัง: เมื่อติดตั้งหรือถอดที่รับเศษใบไม้ ให้สวมถุงมือเสมอ เพื่อไม่ให้มือสัมผัสกับใบเลื่อยตัดโดยตรง

ที่รับเศษใบไม้จะเก็บใบไม้ที่ถูกทั้งออกมาและทำให้การเก็บกวาดในภายหลังทำได้ง่ายขึ้น

การถอดที่รับเศษใบไม้ ให้ถอดสกรูสี่ตัว (สำหรับ UH013G) หรือห้าตัว (สำหรับ UH014G) แล้วจึงถอดที่รับเศษใบไม้ออกจากเครื่องมือ การติดตั้งที่รับเศษใบไม้ ให้ปฏิบัติตามขั้นตอนการถอด

สำหรับรุ่น UH013G

▶ หมายเลข 28: 1. ที่รับเศษใบไม้ 2. สกรู

สำหรับรุ่น UH014G

▶ หมายเลข 29: 1. ที่รับเศษใบไม้ 2. สกรู

การใช้งาน

⚠ คำเตือน: ระวังอย่าให้มืออยู่ใกล้กับใบเลื่อยตัด

⚠ ข้อควรระวัง: หลีกเลี่ยงการใช้งานเครื่องมือในสภาพอากาศที่ร้อนจัดเท่าที่สามารถทำได้ ขณะใช้งานเครื่องมือ ให้ระวังสภาพทางกายภาพ

⚠ ข้อควรระวัง: ระวังอย่าสัมผัสกับรั้วโลหะหรือของแข็งอื่นๆ โดยไม่ได้ตั้งใจขณะทำการตัดแต่ง ใบเลื่อยตัดอาจหักและทำให้ได้รับบาดเจ็บได้

⚠ ข้อควรระวัง: ระวังอย่าให้ใบมีดสัมผัสกับพื้น เครื่องมืออาจถอยกลับและอาจทำให้เกิดการบาดเจ็บได้

⚠ ข้อควรระวัง: การเอี๊ยมตัดด้วยเครื่องตัดแต่งพุ่มไม้ โดยเฉพาะการเอี๊ยมจากบันไดถือเป็นกรกระทำที่อันตรายมาก อย่าทำงานขณะยืนอยู่บนสิ่งที่ยกแยกไปมาได้หรือไม่มั่นคง

ข้อสังเกต: อย่าพยายามตัดกิ่งไม้ที่มีความหนาของเส้นผ่านศูนย์กลางมากกว่า 10 mm โดยใช้เครื่องมือนี้ ตัดกิ่งไม้ให้มีความสูงในการตัดต่ำกว่า 10 cm โดยใช้เครื่องตัดกิ่งไม้ก่อนใช้เครื่องมือนี้

▶ **หมายเลข 30:** (1) ความสูงในการตัด (2) 10 cm

ข้อสังเกต: อย่าตัดต้นไม้ที่ตายแล้วหรือของแข็งอื่นๆ ที่คล้ายกัน การทำเช่นนั้นอาจทำให้เครื่องมือเสียหายได้

ข้อสังเกต: อย่าตัดแต่งหญ้าหรือวัชพืชขณะใช้ใบเลื่อยตัด เนื่องจากใบเลื่อยตัดอาจพันกับหญ้าหรือวัชพืชได้

ถือด้ามจับด้านหน้าด้วยมือข้างขวา และถือด้ามจับด้านหลังด้วยมือข้างซ้าย ดึงสวิตช์สั่งงานด้านหน้า แล้วดึงสวิตช์สั่งงานด้านหลังขณะถากัน จากนั้นจึงขยับเครื่องมือไปข้างหน้า

▶ **หมายเลข 31**

วิธีการใช้งานพื้นฐาน ให้เอียงใบเลื่อยตัดตามทิศทางการตัดแต่งและขยับเครื่องมืออย่างหนึ่งๆ และซ้ำๆ ด้วยอัตราความเร็ว 3 ถึง 4 วินาทีต่อเมตร

▶ **หมายเลข 32**

หากต้องการตัดส่วนบนของพุ่มไม้ให้เสมอกัน ให้ผูกเชือกไว้ในระดับความสูงของพุ่มไม้ที่ต้องการแล้วตัดแต่งตามแนวเชือก

▶ **หมายเลข 33**

ที่รับเศษใบไม้จะเก็บใบไม้ที่ถูกทิ้งออกมาและทำให้การเก็บกวาดในภายหลังทำได้ง่ายขึ้น

▶ **หมายเลข 34**

หากต้องการตัดด้านข้างของพุ่มไม้ให้เสมอกัน ควรตัดจากส่วนล่างขึ้นบน

▶ **หมายเลข 35**

ขณะตัดแต่งเพื่อทำให้เป็นทรงกลม (การตัดแต่งต้นบ็อกซ์วูดหรือกุหลาบพันปีและอื่นๆ) ให้ตัดจากรากขึ้นไปถึงยอดจะทำให้ดูสวยงาม

▶ **หมายเลข 36**

การบำรุงรักษา

⚠ ข้อควรระวัง: ตรวจสอบให้แน่ใจว่าได้ปิดสวิตช์เครื่องมือและถอดปลั๊กแบตเตอรี่ออกก่อนทำการตรวจสอบหรือบำรุงรักษา

เพื่อความปลอดภัยและนำเชื้อถือของผลิตภัณฑ์ ควรให้ศูนย์บริการหรือโรงงานที่ผ่านการรับรองจาก Makita เป็นผู้ดำเนินการซ่อมแซม บำรุงรักษาและทำการปรับตั้งอื่นๆ นอกจากนี้ให้ใช้ของไหลของแท้จาก Makita เสมอ

การทำความสะอาดเครื่องมือ

ทำความสะอาดเครื่องมือโดยเช็ดฝุ่นออกด้วยผ้าแห้งหรือผ้าชุบน้ำสบู่บิดหมาด

ข้อสังเกต: อย่าใช้น้ำมันเชื้อเพลิง เบนซิน ทินเนอร์ แอลกอฮอล์ หรือวัสดุประเภทเดียวกัน เนื่องจากอาจทำให้ลื่นลื่นฉลวย เสียวรูป หรือแตกร้าวได้

การบำรุงรักษาใบเลื่อยตัด

ก่อนการใช้งานหรือทุกชั่วโมงในระหว่างการใช้งาน ให้ทาน้ำมันความหนืดต่ำ (น้ำมันเครื่องหรือน้ำมันหล่อลื่นแบบสเปรย์) ที่ใบเลื่อยตัด

▶ **หมายเลข 37**

หลังการใช้งาน ให้ขจัดฝุ่นออกจากใบเลื่อยตัดด้วยแปรงลวด เช็ดออกด้วยผ้าแล้วทาน้ำมันความหนืดต่ำ (น้ำมันเครื่องหรือน้ำมันหล่อลื่นแบบสเปรย์) ที่ใบเลื่อยตัด

▶ **หมายเลข 38**

ข้อสังเกต: อยาล้างใบเลื่อยตัดในน้ำ การทำเช่นนั้นอาจทำให้เครื่องมือเกิดสนิมหรือเสียหายได้

ข้อสังเกต: สิ่งสกปรกและการสึกกร่อนจะทำให้ใบเลื่อยมีแรงเสียดทานมากเกินไปและทำให้อายุการใช้งานต่อการชาร์จแบตเตอรี่แต่ละครั้งสั้นลง

การเก็บรักษา

รูตะขอตตรงส่วนล่างของเครื่องมือใช้สำหรับแขวนเครื่องมือกับตะปูหรือสกรูบนกำแพง

ถอดดัลล์แบบเตอร้ออกจากเครื่องมือ จากนั้นติดฝาครอบใบเลื่อยเข้ากับใบเลื่อยตัดเพื่อให้ใบเลื่อยมีสิ่งห่อหุ้ม เก็บเครื่องมือโดยให้ห่างจากมือเด็ก เก็บเครื่องมือในที่ที่ไม่ถูกความชื้นหรือฝน

► หมายเลข 39: 1. รู

การลับใบเลื่อยตัด

ข้อสังเกต: หากใบเลื่อยตัดผิดรูปจากการลับ ให้เปลี่ยนใบเลื่อยตัดใบใหม่

1. ใส่ดัลล์แบบเตอรึในเครื่องมือ
 2. เปิดและเริ่มใช้งานเครื่องมือโดยวางใบเลื่อยด้านบนและใบเลื่อยด้านล่างในตำแหน่งสลักกัน
- หมายเลข 40
3. ปิดเครื่องมือและถอดดัลล์แบบเตอร้ออกจากเครื่องมือ
 4. ตั้งองศาของตะใบที่ 45° และลับใบเลื่อยด้านบนจาก 3 ทิศทางด้วยตะใบ

► หมายเลข 41: (1) ตะใบ (2) 45°

⚠ ข้อควรระวัง: ตรวจสอบให้แน่ใจว่าได้ปิดสวิตช์เครื่องมือและถอดดัลล์แบบเตอร้ออกแล้วก่อนลับใบเลื่อยตัด

5. วางเครื่องมือโดยพลิกด้านบนลงด้านล่าง จากนั้นกำจัดหนามแหลมออกจากใบเลื่อยตัดด้วยหินลับมีด
- หมายเลข 42: 1. หินลับมีด
6. ตั้งองศาของตะใบไว้ที่ 45° และลับใบเลื่อยด้านล่างจาก 3 ทิศทางด้วยตะใบ
 7. พลิกเครื่องมือกลับสู่ตำแหน่งปกติ จากนั้นกำจัดหนามแหลมจากใบเลื่อยตัดด้วยหินลับมีด

การหล่อลื่นด้วยจาระบี

ระยะของการหล่อลื่น: ทุกๆ การใช้งาน 50 ชั่วโมง

1. ถอดสลักเกลียวออกจากกรูเพื่อทำการหล่อลื่น

► หมายเลข 43: 1. สลักเกลียว

2. ถอดฝาปิดออกจากหลอดจาระบี จัดช่องหลอดจาระบีให้ตรงกับรูบนฝาครอบ จากนั้นให้ก้นของหลอดจาระบีเข้ากับรู

► หมายเลข 44: 1. หลอดจาระบี 2. รู

3. ทาจาระบีบนเครื่องมือ (ประมาณ 5 g ตามคำแนะนำ)

4. ซันสลักเกลียว

การแก้ไขปัญหา

ก่อนนำไปซ่อม ให้ทำการตรวจสอบด้วยตัวเองก่อน หากพบปัญหาที่ไม่มีอธิบายในคู่มือการใช้งาน อย่าพยายามถอดแยกเครื่องมือ แต่ให้นำไปซ่อมที่ศูนย์บริการหรือโรงงานที่ผ่านการรับรองจาก Makita และใช้ชิ้นส่วนอะไหล่ของ Makita

สภาวะความผิดปกติ	สาเหตุที่เป็นไปได้ (การทำงานผิดปกติ)	การแก้ไข
มอเตอร์ไม่ทำงาน	ไม่ได้ติดตั้งถลับแบตเตอรี่	ติดตั้งถลับแบตเตอรี่
	ปัญหาแบตเตอรี่ (ไฟต่ำ)	ชาร์จแบตเตอรี่ใหม่ หากการชาร์จแบตเตอรี่ใหม่ไม่ได้ผล ให้เปลี่ยนแบตเตอรี่
	ระบบขับเคลื่อนไม่ทำงานอย่างถูกต้อง	สอบถามศูนย์บริการที่ผ่านการรับรองจาก Makita ในท้องถิ่นให้ทำการซ่อมแซมให้
มอเตอร์หยุดทำงานหลังจากใช้งานไปได้เล็กน้อย	ระดับการชาร์จของแบตเตอรี่ต่ำ	ชาร์จแบตเตอรี่ใหม่ หากการชาร์จแบตเตอรี่ใหม่ไม่ได้ผล ให้เปลี่ยนแบตเตอรี่
	ความร้อนสูงเกิน	หยุดใช้งานเครื่องมือเพื่อให้เครื่องมือเย็นลง
เครื่องมือหมุนด้วยรอบความเร็วสูงสุดไม่ได้	แบตเตอรี่ติดตั้งอย่างไม่ถูกต้อง	ติดตั้งถลับแบตเตอรี่ตามที่อธิบายในคู่มือการใช้งานนี้
	กำลังของแบตเตอรี่ต่ำลง	ชาร์จแบตเตอรี่ใหม่ หากการชาร์จแบตเตอรี่ใหม่ไม่ได้ผล ให้เปลี่ยนแบตเตอรี่
	ระบบขับเคลื่อนไม่ทำงานอย่างถูกต้อง	สอบถามศูนย์บริการที่ผ่านการรับรองจาก Makita ในท้องถิ่นให้ทำการซ่อมแซมให้
ใบมีดตัดไม้ขยับ: ⇒ หยุดเครื่องมือทันที!	สิ่งแปลกปลอมติดอยู่ระหว่างใบมีดตัด	1. ใช้ป้อนเปลี่ยนทิศทาง 2. ปิดสวิตช์เครื่องมือและถอดถลับแบตเตอรี่ออก จากนั้นนำสิ่งแปลกปลอมออกโดยใช้เครื่องมือ เช่น คีม
	ระบบขับเคลื่อนไม่ทำงานอย่างถูกต้อง	สอบถามศูนย์บริการที่ผ่านการรับรองจาก Makita ในท้องถิ่นให้ทำการซ่อมแซมให้
การสั่นสะเทือนผิดปกติ ⇒ หยุดเครื่องมือทันที!	ใบมีดตัดหัก งอ หรือสึกหรอ	เปลี่ยนใบมีดตัด
	ระบบขับเคลื่อนไม่ทำงานอย่างถูกต้อง	สอบถามศูนย์บริการที่ผ่านการรับรองจาก Makita ในท้องถิ่นให้ทำการซ่อมแซมให้
หยุดใบมีดตัดและมอเตอร์ไม่ได้ ⇒ ถอดแบตเตอรี่ทันที!	การทำงานผิดปกติด้านไฟฟ้า	ถอดแบตเตอรี่และสอบถามศูนย์บริการที่ผ่านการรับรองจาก Makita ในท้องถิ่นให้ทำการซ่อมแซมให้

อุปกรณ์เสริม

⚠ ข้อควรระวัง: ขอแนะนำให้ใช้เฉพาะอุปกรณ์เสริมหรืออุปกรณ์ต่อพ่วงเหล่านี้กับเครื่องมือ Makita ที่ระบุในคู่มือการใช้อุปกรณ์เสริมหรืออุปกรณ์ต่อพ่วงอื่นๆ อาจมีความเสี่ยงที่จะได้รับบาดเจ็บ ใช้อุปกรณ์เสริมหรืออุปกรณ์ต่อพ่วงตามวัตถุประสงค์ที่ระบุไว้เท่านั้น

หากต้องการทราบรายละเอียดเพิ่มเติมเกี่ยวกับอุปกรณ์เสริมเหล่านี้ โปรดสอบถามศูนย์บริการ Makita ใกล้บ้านคุณ

- ชุดใบเลื่อย
- ที่รับเศษใบไม้
- หลอดจากระเบี
- แบตเตอรี่และเครื่องชาร์จ Makita ของแท้

หมายเหตุ: อุปกรณ์บางรายการอาจจะรวมอยู่ในชุดเครื่องมือเป็นอุปกรณ์มาตรฐาน ซึ่งอาจแตกต่างกันไปในแต่ละประเทศ

Makita Corporation
3-11-8, Sumiyoshi-cho,
Anjo, Aichi 446-8502 Japan
www.makita.com

885918-371
EN, ZHCN, ID, MS,
VI, TH
20210818