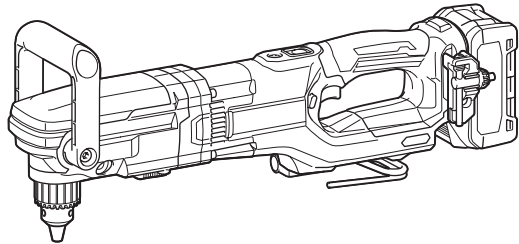




<b>EN</b>	<b>Cordless Angle Drill</b>	<b>INSTRUCTION MANUAL</b>	<b>5</b>
<b>ZHCN</b>	<b>充电式角向电钻</b>	<b>使用说明书</b>	<b>14</b>
<b>ID</b>	<b>Bor Sudut Tanpa Kabel</b>	<b>PETUNJUK PENGGUNAAN</b>	<b>23</b>
<b>MS</b>	<b>Gerudi Sudut Tanpa Kord</b>	<b>MANUAL ARAHAN</b>	<b>33</b>
<b>VI</b>	<b>Máy Khoan Góc Cầm Tay Hoạt Động Bằng Pin</b>	<b>TÀI LIỆU HƯỚNG DẪN</b>	<b>43</b>
<b>TH</b>	<b>สว่านไฟฟ้าไร้สายแบบเข้ามุม</b>	<b>คู่มือการใช้งาน</b>	<b>52</b>

**DA001G**



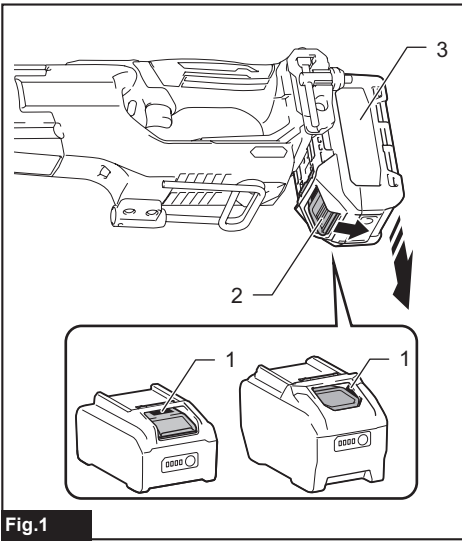


Fig.1

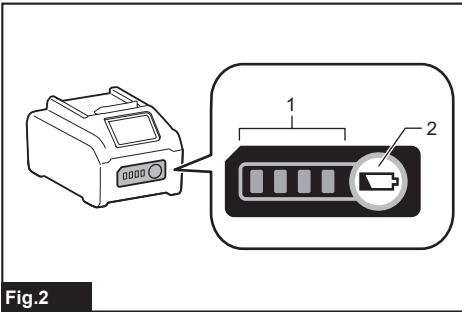


Fig.2

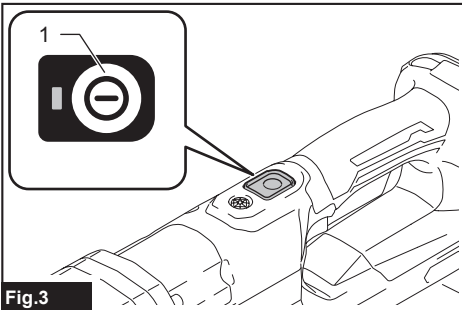


Fig.3

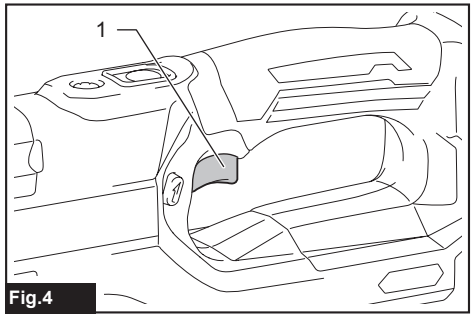


Fig.4

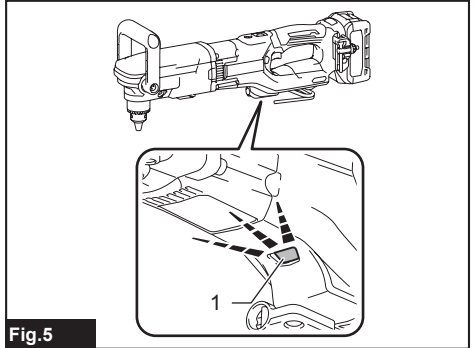


Fig.5

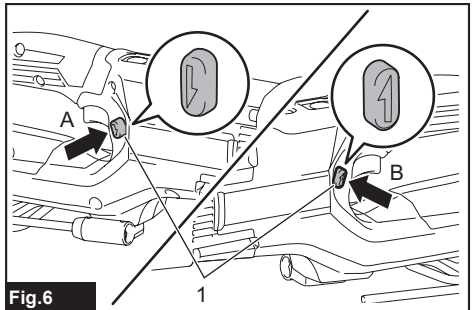


Fig.6

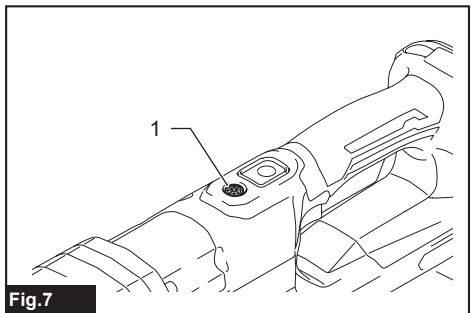


Fig.7

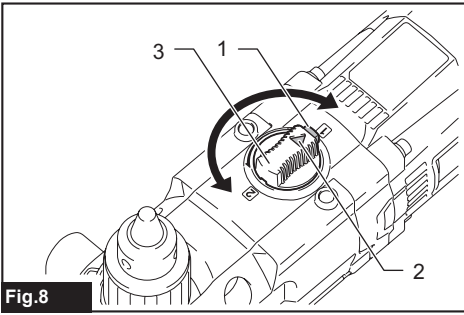


Fig.8

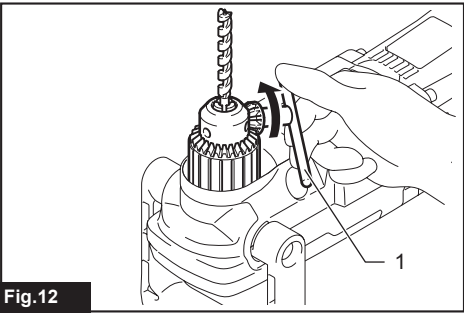


Fig.12

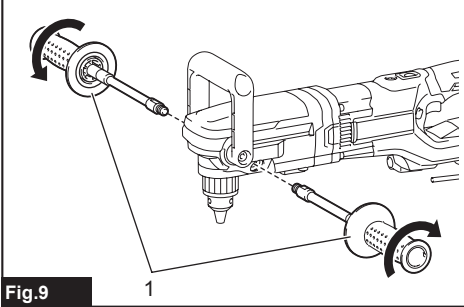


Fig.9

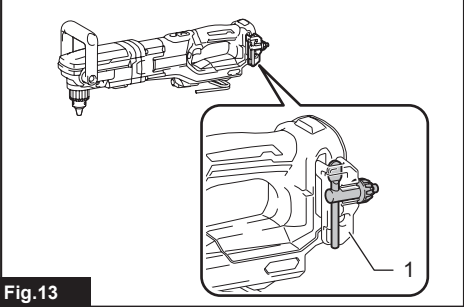


Fig.13

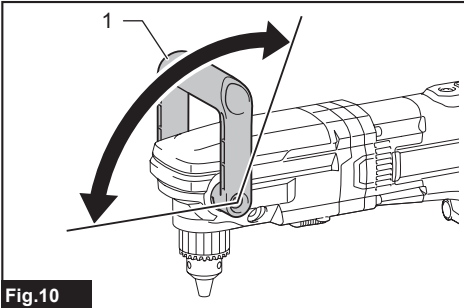


Fig.10

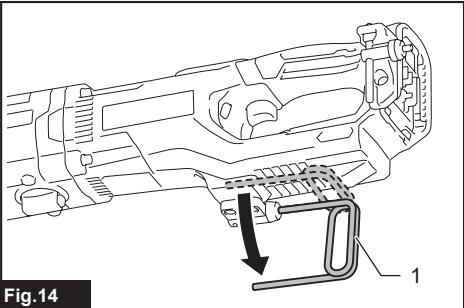


Fig.14

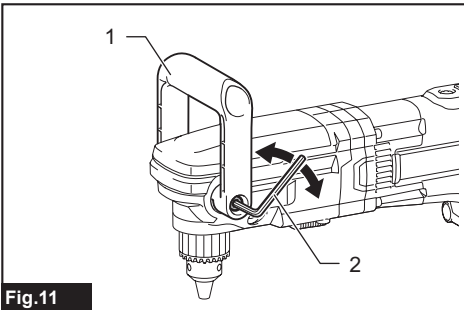


Fig.11

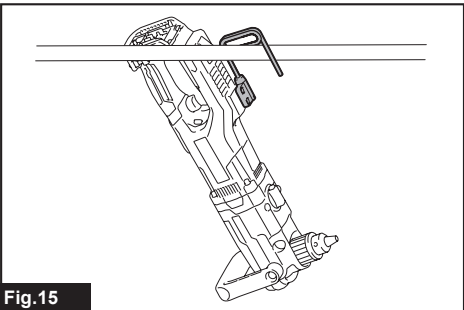
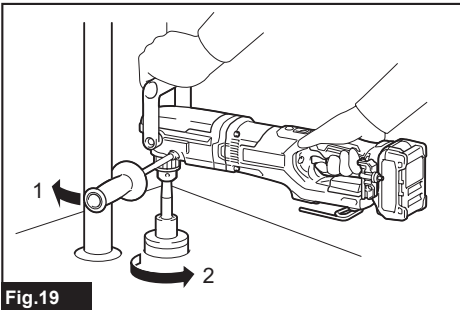
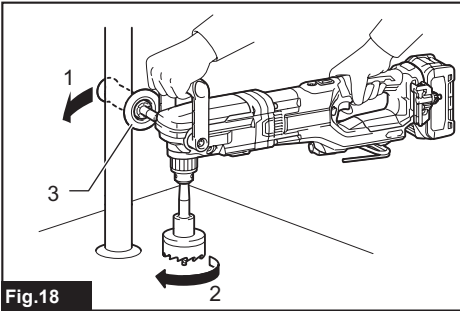
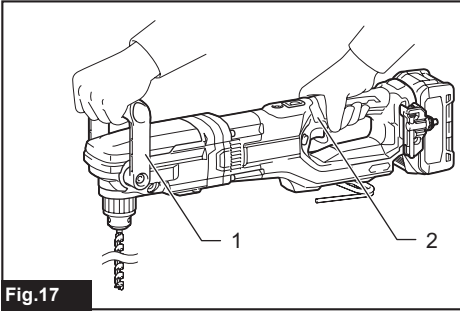
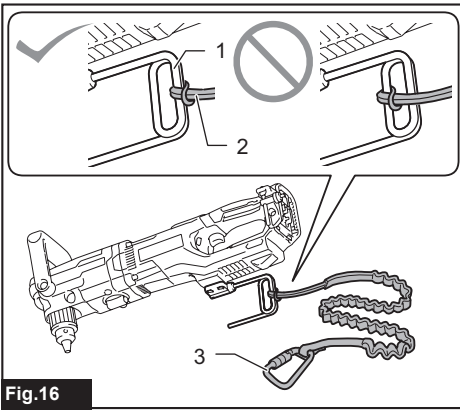


Fig.15





# SPECIFICATIONS

<b>Model:</b>		<b>DA001G</b>	
Gear speed		High	Low
Drilling capacities (Diameter)	Steel	13 mm	
	Wood	Auger bit: 50 mm Self-feed bit: 65 mm Hole saw: 105 mm	Auger bit: 50 mm Self-feed bit: 118 mm Hole saw: 159 mm
No load speed		0 - 1,500 min <sup>-1</sup>	0 - 400 min <sup>-1</sup>
Overall length (with battery cartridge BL4040) *With the front handle extended		545 mm * 614 mm	
Rated voltage		D.C. 36 V - 40 V max	
Net weight		5.6 - 6.2 kg	

- Due to our continuing program of research and development, the specifications herein are subject to change without notice.
- Specifications may differ from country to country.
- The weight may differ depending on the attachment(s), including the battery cartridge. The lightest and heaviest combination, according to EPTA-Procedure 01/2014, are shown in the table.

## Applicable battery cartridge and charger

Battery cartridge	BL4020 / BL4025* / BL4040* / BL4050F* *: Recommended battery
Charger	DC40RA / DC40RB / DC40RC

- Some of the battery cartridges and chargers listed above may not be available depending on your region of residence.

**⚠ WARNING: Only use the battery cartridges and chargers listed above.** Use of any other battery cartridges and chargers may cause injury and/or fire.

## Symbols

The followings show the symbols which may be used for the equipment. Be sure that you understand their meaning before use.



Read instruction manual.



Only for EU countries  
Do not dispose of electric equipment or battery pack together with household waste material!

In observance of the European Directives, on Waste Electric and Electronic Equipment and Batteries and Accumulators and Waste Batteries and Accumulators and their implementation in accordance with national laws, electric equipment and batteries and battery pack(s) that have reached the end of their life must be collected separately and returned to an environmentally compatible recycling facility.

## Intended use

The tool is intended for drilling in wood, metal and plastic.

# SAFETY WARNINGS

## General power tool safety warnings

**⚠ WARNING: Read all safety warnings, instructions, illustrations and specifications provided with this power tool.** Failure to follow all instructions listed below may result in electric shock, fire and/or serious injury.

## Save all warnings and instructions for future reference.

The term "power tool" in the warnings refers to your mains-operated (corded) power tool or battery-operated (cordless) power tool.

### Work area safety

1. **Keep work area clean and well lit.** Cluttered or dark areas invite accidents.
2. **Do not operate power tools in explosive atmospheres, such as in the presence of flammable liquids, gases or dust.** Power tools create sparks which may ignite the dust or fumes.
3. **Keep children and bystanders away while operating a power tool.** Distractions can cause you to lose control.

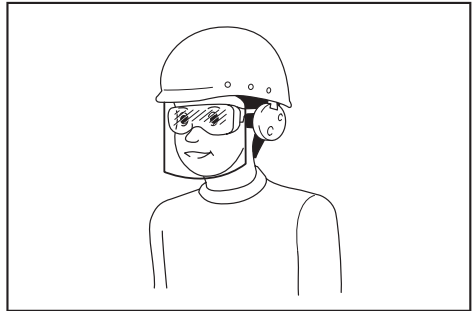
## Electrical safety

1. **Power tool plugs must match the outlet. Never modify the plug in any way. Do not use any adapter plugs with earthed (grounded) power tools.** Unmodified plugs and matching outlets will reduce risk of electric shock.
2. **Avoid body contact with earthed or grounded surfaces, such as pipes, radiators, ranges and refrigerators.** There is an increased risk of electric shock if your body is earthed or grounded.
3. **Do not expose power tools to rain or wet conditions.** Water entering a power tool will increase the risk of electric shock.
4. **Do not abuse the cord. Never use the cord for carrying, pulling or unplugging the power tool. Keep cord away from heat, oil, sharp edges or moving parts.** Damaged or entangled cords increase the risk of electric shock.
5. **When operating a power tool outdoors, use an extension cord suitable for outdoor use.** Use of a cord suitable for outdoor use reduces the risk of electric shock.
6. **If operating a power tool in a damp location is unavoidable, use a residual current device (RCD) protected supply.** Use of an RCD reduces the risk of electric shock.
7. **Power tools can produce electromagnetic fields (EMF) that are not harmful to the user.** However, users of pacemakers and other similar medical devices should contact the maker of their device and/or doctor for advice before operating this power tool.

## Personal safety

1. **Stay alert, watch what you are doing and use common sense when operating a power tool. Do not use a power tool while you are tired or under the influence of drugs, alcohol or medication.** A moment of inattention while operating power tools may result in serious personal injury.
2. **Use personal protective equipment. Always wear eye protection.** Protective equipment such as a dust mask, non-skid safety shoes, hard hat or hearing protection used for appropriate conditions will reduce personal injuries.
3. **Prevent unintentional starting. Ensure the switch is in the off-position before connecting to power source and/or battery pack, picking up or carrying the tool.** Carrying power tools with your finger on the switch or energising power tools that have the switch on invites accidents.
4. **Remove any adjusting key or wrench before turning the power tool on.** A wrench or a key left attached to a rotating part of the power tool may result in personal injury.
5. **Do not overreach. Keep proper footing and balance at all times.** This enables better control of the power tool in unexpected situations.
6. **Dress properly. Do not wear loose clothing or jewellery. Keep your hair and clothing away from moving parts.** Loose clothes, jewellery or long hair can be caught in moving parts.

7. **If devices are provided for the connection of dust extraction and collection facilities, ensure these are connected and properly used.** Use of dust collection can reduce dust-related hazards.
8. **Do not let familiarity gained from frequent use of tools allow you to become complacent and ignore tool safety principles.** A careless action can cause severe injury within a fraction of a second.
9. **Always wear protective goggles to protect your eyes from injury when using power tools. The goggles must comply with ANSI Z87.1 in the USA, EN 166 in Europe, or AS/NZS 1336 in Australia/New Zealand. In Australia/New Zealand, it is legally required to wear a face shield to protect your face, too.**



It is an employer's responsibility to enforce the use of appropriate safety protective equipments by the tool operators and by other persons in the immediate working area.

## Power tool use and care

1. **Do not force the power tool. Use the correct power tool for your application.** The correct power tool will do the job better and safer at the rate for which it was designed.
2. **Do not use the power tool if the switch does not turn it on and off.** Any power tool that cannot be controlled with the switch is dangerous and must be repaired.
3. **Disconnect the plug from the power source and/or remove the battery pack, if detachable, from the power tool before making any adjustments, changing accessories, or storing power tools.** Such preventive safety measures reduce the risk of starting the power tool accidentally.
4. **Store idle power tools out of the reach of children and do not allow persons unfamiliar with the power tool or these instructions to operate the power tool.** Power tools are dangerous in the hands of untrained users.
5. **Maintain power tools and accessories. Check for misalignment or binding of moving parts, breakage of parts and any other condition that may affect the power tool's operation. If damaged, have the power tool repaired before use.** Many accidents are caused by poorly maintained power tools.
6. **Keep cutting tools sharp and clean.** Properly maintained cutting tools with sharp cutting edges are less likely to bind and are easier to control.

7. **Use the power tool, accessories and tool bits etc. in accordance with these instructions, taking into account the working conditions and the work to be performed.** Use of the power tool for operations different from those intended could result in a hazardous situation.
8. **Keep handles and grasping surfaces dry, clean and free from oil and grease.** Slippery handles and grasping surfaces do not allow for safe handling and control of the tool in unexpected situations.
9. **When using the tool, do not wear cloth work gloves which may be entangled.** The entanglement of cloth work gloves in the moving parts may result in personal injury.

#### Battery tool use and care

1. **Recharge only with the charger specified by the manufacturer.** A charger that is suitable for one type of battery pack may create a risk of fire when used with another battery pack.
2. **Use power tools only with specifically designated battery packs.** Use of any other battery packs may create a risk of injury and fire.
3. **When battery pack is not in use, keep it away from other metal objects, like paper clips, coins, keys, nails, screws or other small metal objects, that can make a connection from one terminal to another.** Shorting the battery terminals together may cause burns or a fire.
4. **Under abusive conditions, liquid may be ejected from the battery; avoid contact. If contact accidentally occurs, flush with water. If liquid contacts eyes, additionally seek medical help.** Liquid ejected from the battery may cause irritation or burns.
5. **Do not use a battery pack or tool that is damaged or modified.** Damaged or modified batteries may exhibit unpredictable behaviour resulting in fire, explosion or risk of injury.
6. **Do not expose a battery pack or tool to fire or excessive temperature.** Exposure to fire or temperature above 130 °C may cause explosion.
7. **Follow all charging instructions and do not charge the battery pack or tool outside the temperature range specified in the instructions.** Charging improperly or at temperatures outside the specified range may damage the battery and increase the risk of fire.

#### Service

1. **Have your power tool serviced by a qualified repair person using only identical replacement parts.** This will ensure that the safety of the power tool is maintained.
2. **Never service damaged battery packs.** Service of battery packs should only be performed by the manufacturer or authorized service providers.
3. **Follow instruction for lubricating and changing accessories.**

## Cordless drill safety warnings

### Safety instructions for all operations

1. **Use the auxiliary handle(s).** Loss of control can cause personal injury.
2. **Brace the tool properly before use.** This tool produces a high output torque and without properly bracing the tool during operation, loss of control may occur resulting in personal injury.
3. **Hold the power tool by insulated gripping surfaces, when performing an operation where the cutting accessory may contact hidden wiring.** Cutting accessory contacting a "live" wire may make exposed metal parts of the power tool "live" and could give the operator an electric shock.
4. **Always be sure you have a firm footing. Be sure no one is below when using the tool in high locations.**
5. **Hold the tool firmly.**
6. **Keep hands away from rotating parts.**
7. **Do not leave the tool running. Operate the tool only when hand-held.**
8. **Do not touch the drill bit or the workpiece immediately after operation; they may be extremely hot and could burn your skin.**
9. **Some material contains chemicals which may be toxic. Take caution to prevent dust inhalation and skin contact. Follow material supplier safety data.**
10. **If the drill bit cannot be loosened even you open the jaws, use pliers to pull it out.** In such a case, pulling out the drill bit by hand may result in injury by its sharp edge.
11. **If something wrong with the tool such as abnormal sounds, stop operating immediately and ask your local Makita Service Center for repair.**
12. **Before operation, make sure that there is no buried object such as electric pipe, water pipe or gas pipe in the ground.** Otherwise, the tool may touch them, resulting an electric shock, electrical leakage or gas leak.

### Safety instructions when using long drill bits

1. **Never operate at higher speed than the maximum speed rating of the drill bit.** At higher speeds, the bit is likely to bend if allowed to rotate freely without contacting the workpiece, resulting in personal injury.
2. **Always start drilling at low speed and with the bit tip in contact with the workpiece.** At higher speeds, the bit is likely to bend if allowed to rotate freely without contacting the workpiece, resulting in personal injury.
3. **Apply pressure only in direct line with the bit and do not apply excessive pressure.** Bits can bend causing breakage or loss of control, resulting in personal injury.

**SAVE THESE INSTRUCTIONS.**

**⚠WARNING:** DO NOT let comfort or familiarity with product (gained from repeated use) replace strict adherence to safety rules for the subject product. MISUSE or failure to follow the safety rules stated in this instruction manual may cause serious personal injury.

## Important safety instructions for battery cartridge

1. Before using battery cartridge, read all instructions and cautionary markings on (1) battery charger, (2) battery, and (3) product using battery.
2. Do not disassemble or tamper the battery cartridge. It may result in a fire, excessive heat, or explosion.
3. If operating time has become excessively shorter, stop operating immediately. It may result in a risk of overheating, possible burns and even an explosion.
4. If electrolyte gets into your eyes, rinse them out with clear water and seek medical attention right away. It may result in loss of your eyesight.
5. Do not short the battery cartridge:
  - (1) Do not touch the terminals with any conductive material.
  - (2) Avoid storing battery cartridge in a container with other metal objects such as nails, coins, etc.
  - (3) Do not expose battery cartridge to water or rain.

A battery short can cause a large current flow, overheating, possible burns and even a breakdown.

6. Do not store and use the tool and battery cartridge in locations where the temperature may reach or exceed 50 °C (122 °F).
7. Do not incinerate the battery cartridge even if it is severely damaged or is completely worn out. The battery cartridge can explode in a fire.
8. Do not nail, cut, crush, throw, drop the battery cartridge, or hit against a hard object to the battery cartridge. Such conduct may result in a fire, excessive heat, or explosion.
9. Do not use a damaged battery.
10. The contained lithium-ion batteries are subject to the Dangerous Goods Legislation requirements.

For commercial transports e.g. by third parties, forwarding agents, special requirement on packaging and labeling must be observed.

For preparation of the item being shipped, consulting an expert for hazardous material is required. Please also observe possibly more detailed national regulations.

Tape or mask off open contacts and pack up the battery in such a manner that it cannot move around in the packaging.

11. When disposing the battery cartridge, remove it from the tool and dispose of it in a safe place. Follow your local regulations relating to disposal of battery.

12. Use the batteries only with the products specified by Makita. Installing the batteries to non-compliant products may result in a fire, excessive heat, explosion, or leak of electrolyte.
13. If the tool is not used for a long period of time, the battery must be removed from the tool.
14. During and after use, the battery cartridge may take on heat which can cause burns or low temperature burns. Pay attention to the handling of hot battery cartridges.
15. Do not touch the terminal of the tool immediately after use as it may get hot enough to cause burns.
16. Do not allow chips, dust, or soil stuck into the terminals, holes, and grooves of the battery cartridge. It may result in poor performance or breakdown of the tool or battery cartridge.
17. Unless the tool supports the use near high-voltage electrical power lines, do not use the battery cartridge near a high-voltage electrical power lines. It may result in a malfunction or breakdown of the tool or battery cartridge.
18. Keep the battery away from children.

## SAVE THESE INSTRUCTIONS.

**⚠CAUTION:** Only use genuine Makita batteries. Use of non-genuine Makita batteries, or batteries that have been altered, may result in the battery bursting causing fires, personal injury and damage. It will also void the Makita warranty for the Makita tool and charger.

## Tips for maintaining maximum battery life

1. Charge the battery cartridge before completely discharged. Always stop tool operation and charge the battery cartridge when you notice less tool power.
2. Never recharge a fully charged battery cartridge. Overcharging shortens the battery service life.
3. Charge the battery cartridge with room temperature at 10 °C - 40 °C (50 °F - 104 °F). Let a hot battery cartridge cool down before charging it.
4. When not using the battery cartridge, remove it from the tool or the charger.
5. Charge the battery cartridge if you do not use it for a long period (more than six months).

## FUNCTIONAL DESCRIPTION

**⚠CAUTION:** Always be sure that the tool is switched off and the battery cartridge is removed before adjusting or checking function on the tool.

## Installing or removing battery cartridge

**CAUTION:** Always switch off the tool before installing or removing of the battery cartridge.

**CAUTION:** Hold the tool and the battery cartridge firmly when installing or removing battery cartridge. Failure to hold the tool and the battery cartridge firmly may cause them to slip off your hands and result in damage to the tool and battery cartridge and a personal injury.

► **Fig.1:** 1. Red indicator 2. Button 3. Battery cartridge

To remove the battery cartridge, slide it from the tool while sliding the button on the front of the cartridge.

To install the battery cartridge, align the tongue on the battery cartridge with the groove in the housing and slip it into place. Insert it all the way until it locks in place with a little click. If you can see the red indicator as shown in the figure, it is not locked completely.

**CAUTION:** Always install the battery cartridge fully until the red indicator cannot be seen. If not, it may accidentally fall out of the tool, causing injury to you or someone around you.

**CAUTION:** Do not install the battery cartridge forcibly. If the cartridge does not slide in easily, it is not being inserted correctly.

## Indicating the remaining battery capacity

Press the check button on the battery cartridge to indicate the remaining battery capacity. The indicator lamps light up for a few seconds.

► **Fig.2:** 1. Indicator lamps 2. Check button

Indicator lamps			Remaining capacity
Lighted	Off	Blinking	
			75% to 100%
			50% to 75%
			25% to 50%
			0% to 25%
			Charge the battery.
			The battery may have malfunctioned.

**NOTE:** Depending on the conditions of use and the ambient temperature, the indication may differ slightly from the actual capacity.

**NOTE:** The first (far left) indicator lamp will blink when the battery protection system works.

## Tool / battery protection system

The tool is equipped with a tool/battery protection system. This system automatically cuts off power to the motor to extend tool and battery life. The tool will automatically stop during operation if the tool or battery is placed under one of the following conditions:

### Overload protection

When the tool/battery is operated in a manner that causes it to draw an abnormally high current, the tool stops automatically. In this situation, turn the tool off and stop the application that caused the tool to become overloaded. Then turn the tool on to restart.

### Overheat protection

When the tool/battery is overheated, the tool stops automatically and the lamp will blink. In this situation, let the tool cool down before turning the tool on again.

### Overdischarge protection

When the battery capacity is not enough, the tool stops automatically. In this case, remove the battery from the tool and charge the battery.

## Main power switch

**WARNING:** Always turn off the main power switch when not in use.

To stand by the tool, press the main power button until the main power lamp lights up. To turn off, press the main power button again.

► **Fig.3:** 1. Main power button

**NOTE:** This tool employs the auto power-off function. To avoid unintentional start up, the main power switch will automatically shut down when the switch trigger is not pulled for a certain period after the main power switch is turned on.

## Switch action

**CAUTION:** Before installing the battery cartridge into the tool, always check to see that the switch trigger actuates properly and returns to the "OFF" position when released.

► **Fig.4:** 1. Switch trigger

To start the tool, pull the switch trigger with the main power switch on. Tool speed is increased by increasing pressure on the switch trigger. Release the switch trigger to stop.

**NOTE:** The tool automatically stops if you keep pulling the switch trigger for about 6 minutes.

## Lighting up the front lamp

**CAUTION:** Do not look in the light or see the source of light directly.

► Fig.5: 1. Lamp

Pull the switch trigger to light up the lamp. The lamp keeps on lighting while the switch trigger is being pulled. The lamp goes out approximately 10 seconds after releasing the switch trigger.

**NOTE:** When the tool is overheated, the tool stops automatically and the lamp starts flashing. In this case, release the switch trigger. The lamp turns off in 5 minute(s).

**NOTE:** Use a dry cloth to wipe the dirt off the lens of the lamp. Be careful not to scratch the lens of lamp, or it may lower the illumination.

## Reversing switch action

**CAUTION:** Always check the direction of rotation before operation.

**CAUTION:** Use the reversing switch only after the tool comes to a complete stop. Changing the direction of rotation before the tool stops may damage the tool.

**CAUTION:** When not operating the tool, always set the reversing switch lever to the neutral position.

This tool has a reversing switch to change the direction of rotation. Depress the reversing switch lever from the A side for clockwise rotation or from the B side for counterclockwise rotation.

When the reversing switch lever is in the neutral position, the switch lever cannot be pulled.

► Fig.6: 1. Reversing switch lever

## Automatic speed change function




This tool has “high speed mode” and “high torque mode”.

The tool automatically changes the operation mode depending on the work load. When the work load is low, the tool will run in the “high speed mode” for quicker operation. When the work load is high, the tool will run in the “high torque mode” for powerful operation.

► Fig.7: 1. Mode indicator

The mode indicator lights up in green when the tool is running in “high torque mode”.

If the tool is operated with excessive load, the mode indicator will blink in green. The mode indicator stops blinking and then lights up or turns off if you reduce the load on the tool.

Mode indicator status			Operation mode
● On	○ Off	● Blinking	
			High speed mode
			High torque mode
			Overload alert

## Speed change

**NOTICE:** Use the speed change knob only after the tool comes to a complete stop. Changing the tool speed before the tool stops may damage the tool.

**NOTICE:** Always set the speed change knob carefully into the correct position. If you operate the tool with the speed change knob positioned half-way between the position 1 and the position 2, the tool may be damaged.

Two speed ranges can be preselected with the speed change knob.

To change the speed, depress the lock button and turn the speed change knob so that the pointer points to the position 1 for low speed or the position 2 for high speed.

► Fig.8: 1. Lock button 2. Pointer 3. Speed change knob

## Torque limiter

The torque limiter will actuate when a certain torque level is reached at the low speed setting (position 1). The motor will disengage from the output shaft. When this happens, the tool bit will stop turning.

To restart the tool, lift the tool bit out of the workpiece and then pull the switch trigger again.

## Electronic function

### Electric brake

This tool is equipped with an electric brake. If the tool consistently fails to quickly cease to function after the switch trigger is released, have the tool serviced at a Makita service center.

### Soft start feature

This function allows the smooth start-up of the tool by limiting the start-up torque.



## ASSEMBLY

**⚠ CAUTION:** Always be sure that the tool is switched off and the battery cartridge is removed before carrying out any work on the tool.

### Installing side grip (auxiliary handle)

**⚠ CAUTION:** Always be sure that the side grip is installed securely before operation.

Screw the side grip on the tool securely. The side grip can be installed on either side of the tool, whichever is convenient.

► Fig.9: 1. Side grip

### Front handle

**⚠ CAUTION:** Do not fix the front handle beyond the limits of the arrow as illustrated. Be cautious that your hand is not caught in the grip. Keep the hand away from the drill chuck. They can lead to serious accidents.

**⚠ CAUTION:** Always be sure that the hex bolts (both sides) of the front handle are tightened securely.

The front handle can be installed in any position within 0° - 112.5° as illustrated.

► Fig.10: 1. Front handle

To change the position, loosen the hex bolts (both sides) with a hex wrench and turn the front handle to the desired position. Then tighten the hex bolts securely.

► Fig.11: 1. Front handle 2. Hex wrench

### Installing or removing drill bit

To install the drill bit, place it in the chuck as far as it will go. Tighten the chuck by hand. Place the chuck key in each of the three holes and tighten clockwise. Be sure to tighten all three chuck holes evenly.

To remove the drill bit, turn the chuck key counterclockwise in just one hole, then loosen the chuck by hand.

► Fig.12: 1. Chuck key

After use, return the chuck key to the key holder on the tool as illustrated.

► Fig.13: 1. Key holder

### Hook

**⚠ CAUTION:** Always remove the battery when hanging the tool with the hook.

**⚠ CAUTION:** Never hook the tool at high location or on potentially unstable surface.

The hook is convenient for temporarily hanging the tool. To use the hook, simply lift up hook until it snaps into the open position. When not in use, always lower hook until it snaps into the closed position.

► Fig.14: 1. Hook

► Fig.15

## Connecting lanyard (tether strap) to the hook

**⚠ CAUTION:** Do not use damaged hook and screws. Before use, always check for damages, cracks or deformations, and make sure that the screws are tightened.

**⚠ CAUTION:** Make sure that the hook is securely installed with the screws.

**⚠ CAUTION:** Do not install or remove any accessory while hanging the tool. The tool may fall if the screws are not tightened.

**⚠ CAUTION:** Always use a locking carabiner (multi-action and screw gate type) and be sure to attach the lanyard (tether strap) to the double looped portion of the hook. Improper attachment may cause tool drop from the hook and result in personal injury.

The hook is also used for connecting the lanyard (tether strap). Be sure to connect the lanyard (tether strap) to the double looped portion of the hook.

► Fig.16: 1. Double looped portion of the hook  
2. Lanyard (tether strap) 3. Locking carabiner (multi-action and screw gate type)

## OPERATION

**⚠ CAUTION:** Always insert the battery cartridge all the way until it locks in place. If you can see the red indicator, it is not locked completely. Insert it fully until the red indicator cannot be seen. If not, it may accidentally fall out of the tool, causing injury to you or someone around you.

**⚠ CAUTION:** When the speed comes down extremely, reduce the load or stop the tool to avoid the tool damage.

**⚠ CAUTION:** Hold the tool firmly when operating the tool.

### Holding tool

**⚠ CAUTION:** This is a powerful tool. High torque is developed and it is important that the tool should be securely held and properly braced.

Grasp the handle with one hand and the front handle with the other hand.

► Fig.17: 1. Front handle 2. Handle

When drilling a large hole with a self-feed bit, etc., the side grip (auxiliary handle) should be used as a brace to maintain safe control of the tool.

When drilling action is forward (clockwise), the tool should be braced to prevent a counterclockwise reaction if the bit should bind.

► Fig.18: 1. Reaction 2. Forward 3. Side grip

When reversing, brace the tool to prevent a clockwise reaction. If the drill bit must be removed from a partially drilled hole, be sure the tool is properly braced before reversing.

► **Fig.19:** 1. Reaction 2. Reverse

## Drilling operation

### Drilling in wood

When drilling in wood, the best results are obtained with wood drills equipped with a guide screw. The guide screw makes drilling easier by pulling the drill bit into the workpiece.

### Drilling in metal

To prevent the drill bit from slipping when starting a hole, make an indentation with a center-punch and hammer at the point to be drilled. Place the point of the drill bit in the indentation and start drilling.

Use a cutting lubricant when drilling metals. The exceptions are iron and brass which should be drilled dry.

**⚠CAUTION:** Pressing excessively on the tool will not speed up the drilling. In fact, this excessive pressure will only serve to damage the tip of your drill bit, decrease the tool performance and shorten the service life of the tool.

**⚠CAUTION:** Hold the tool firmly and exert care when the drill bit begins to break through the workpiece. There is a tremendous force exerted on the tool/drill bit at the time of hole break through.

**⚠CAUTION:** A stuck drill bit can be removed simply by setting the reversing switch to reverse rotation in order to back out. However, the tool may back out abruptly if you do not hold it firmly.

**⚠CAUTION:** Always secure workpieces in a vise or similar hold-down device.

**⚠CAUTION:** Avoid drilling in material that you suspect contains hidden nails or other things that may cause the drill bit to bind or break.

**⚠CAUTION:** If the tool is operated continuously until the battery cartridge has discharged, allow the tool to rest for 15 minutes before proceeding with a fresh battery.

## Lanyard (tether strap) connection

**⚠Safety warnings specific for use at height**  
**Read all safety warnings and instructions.** Failure to follow the warnings and instructions may result in serious injury.

- 1. Always keep the tool tethered when working "at height".** Maximum lanyard length is 2 m (6.5 ft).  
The maximum permissible fall height for lanyard (tether strap) must not exceed 2 m (6.5 ft).
- 2. Use only with lanyards appropriate for this tool type and rated for at least 8.0 kg (17.6 lbs).**
- 3. Do not anchor the tool lanyard to anything on your body or on movable components. Anchor the tool lanyard to a rigid structure that can withstand the forces of a dropped tool.**
- 4. Make sure the lanyard is properly secured at each end prior to use.**
- 5. Inspect the tool and lanyard before each use for damage and proper function (including fabric and stitching). Do not use if damaged or not functioning properly.**
- 6. Do not wrap lanyards around or allow them to come in contact with sharp or rough edges.**
- 7. Fasten the other end of the lanyard outside the working area so that a falling tool is held securely.**
- 8. Attach the lanyard so that the tool will move away from the operator if it falls.** Dropped tools will swing on the lanyard, which could cause injury or loss of balance.
- 9. Do not use near moving parts or running machinery.** Failure to do so may result in a crush or entanglement hazard.
- 10. Do not carry the tool by the attachment device or the lanyard.**
- 11. Only transfer the tool between your hands while you are properly balanced.**
- 12. Do not attach lanyards to the tool in a way that keeps guards, switches or lock-offs from operating properly.**
- 13. Avoid getting tangled in the lanyard.**
- 14. Keep lanyard away from the cutting area of the tool.**
- 15. Use multi-action and screw gate type carabineers. Do not use single action spring clip carabineers.**
- 16. In the event the tool is dropped, it must be tagged and removed from service, and should be inspected by a Makita Factory or Authorized Service Center.**



## MAINTENANCE

**⚠ CAUTION:** Always be sure that the tool is switched off and the battery cartridge is removed before attempting to perform inspection or maintenance.

**NOTICE:** Never use gasoline, benzine, thinner, alcohol or the like. Discoloration, deformation or cracks may result.

To maintain product SAFETY and RELIABILITY, repairs, any other maintenance or adjustment should be performed by Makita Authorized or Factory Service Centers, always using Makita replacement parts.

## OPTIONAL ACCESSORIES

**⚠ CAUTION:** These accessories or attachments are recommended for use with your Makita tool specified in this manual. The use of any other accessories or attachments might present a risk of injury to persons. Only use accessory or attachment for its stated purpose.

If you need any assistance for more details regarding these accessories, ask your local Makita Service Center.

- Drill bits
- Side grip
- Makita genuine battery and charger

**NOTE:** Some items in the list may be included in the tool package as standard accessories. They may differ from country to country.

## 规格

型号:	DA001G		
齿轮速度	高		低
钻孔能力 (直径)	钢材	13 mm	
	木材	螺旋钻头: 50 mm 自进给钻头: 65 mm 孔锯: 105 mm	螺旋钻头: 50 mm 自进给钻头: 118 mm 孔锯: 159 mm
空载速度	0 - 1,500 r/min		0 - 400 r/min
总长度 (含电池组BL4040) *前把手展开时	545 mm * 614 mm		
额定电压	D.C. 36 V - 40 V (最大)		
净重	5.6 - 6.2 kg		

- 生产者保留变更规格不另行通知之权利。
- 规格可能因销往国家之不同而异。
- 重量因附件 (包括电池组) 而异。根据EPTA-Procedure 01/2014, 最重与最轻的组合见表格。

## 适用电池组和充电器

电池组	BL4020 / BL4025* / BL4040* / BL4050F* *: 建议使用的电池
充电器	DC40RA / DC40RB / DC40RC

- 部分以上所列电池组和充电器是否适用视用户所在地区而异。

**警告:** 请仅使用以上所列电池组和充电器。使用其他类型的电池组或充电器可能会导致人身伤害和/或失火。

## 符号

以下显示本设备可能会使用的符号。在使用工具之前, 请务必理解其含义。



阅读使用说明书。



仅限于欧盟国家  
请勿将电气设备或电池组与家庭普通废弃物一同丢弃!  
请务必遵守欧洲关于废弃电子电气设备、电池和蓄电池以及废弃电池和蓄电池的指令并根据法律法规执行。达到使用寿命的电气设备和电池组必须分类回收至符合环境保护规定的再循环机构。

## 用途

本工具用于在木材、金属和塑料中钻孔。

## 安全警告

### 电动工具通用安全警告

**警告:** 阅读随电动工具提供的所有安全警告、说明、图示和规定。不遵照以下所列说明会导致电击、着火和/或严重伤害。

## 保存所有警告和说明书以备查阅。

警告中的术语“电动工具”是指市电驱动（有线）电动工具或电池驱动（无线）电动工具。

### 工作场地的安全

1. 保持工作场地清洁和明亮。杂乱和黑暗的场地会引发事故。
2. 不要在易爆环境，如有易燃液体、气体或粉尘的环境下操作电动工具。电动工具产生的火花会点燃粉尘或气体。
3. 操作电动工具时，远离儿童和旁观者。注意力不集中会使你失去对工具的控制。

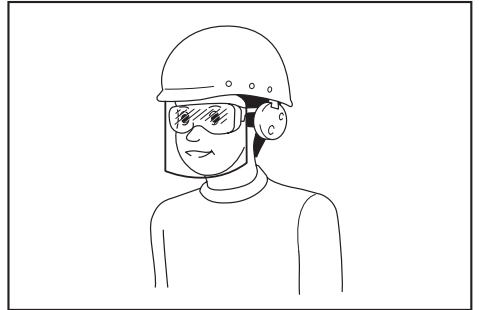
### 电气安全

1. 电动工具插头必须与插座相配。绝不能以任何方式改装插头。需接地的电动工具不能使用任何转换插头。未经改装的插头和相配的插座将降低电击风险。
2. 避免人体接触接地表面，如管道、散热片和冰箱。如果你身体接触接地表面会增加电击风险。
3. 不得将电动工具暴露在雨中或潮湿环境中。水进入电动工具将增加电击风险。
4. 不得滥用软线。绝不能用软线搬运、拉动电动工具或拔出其插头。使软线远离热源、油、锐边或运动部件。受损或缠绕的软线会增加电击风险。
5. 当在户外使用电动工具时，使用适合户外使用的延长线。适合户外使用的电线将降低电击风险。
6. 如果无法避免在潮湿环境中操作电动工具，应使用带有剩余电流装置（RCD）保护的电源。RCD的使用可降低电击风险。
7. 电动工具会产生对用户无害的电磁场（EMF）。但是，起搏器和其他类似医疗设备的用户应在操作本电动工具前咨询其设备的制造商和/或医生寻求建议。

### 人身安全

1. 保持警觉，当操作电动工具时关注所从事的操作并保持清醒。当你感到疲倦，或在有药物、酒精或治疗反应时，不要操作电动工具。在操作电动工具时瞬间的疏忽会导致严重人身伤害。
2. 使用个人防护装置。始终佩戴护目镜。防护装置，诸如适当条件下使用防尘面具、防滑安全鞋、安全帽、听力防护等装置能减少人身伤害。

3. 防止意外起动。在连接电源和/或电池包、拿起或搬运工具前确保开关处于关断位置。手指放在开关上搬运工具或开关处于接通时通电会导致危险。
4. 在电动工具接通之前，拿掉所有调节钥匙或扳手。遗留在电动工具旋转零件上的扳手或钥匙会导致人身伤害。
5. 手不要过分伸展。时刻注意立足点和身体平衡。这样能在意外情况下能更好地控制住电动工具。
6. 着装适当。不要穿宽松衣服或佩戴饰品。让你的头发和衣服远离运动部件。宽松衣服、配饰或长发可能会卷入运动部件。
7. 如果提供了与排屑、集尘设备连接用的装置，要确保其连接完好且使用得当。使用集尘装置可降低尘屑引起的危险。
8. 不要因为频繁使用工具而产生的熟悉感而掉以轻心，忽视工具的安全准则。某个粗心的动作可能在瞬间导致严重的伤害。
9. 使用电动工具时请始终佩戴护目镜以免伤害眼睛。护目镜须符合美国ANSI Z87.1、欧洲EN 166或者澳大利亚/新西兰的AS/NZS 1336的规定。在澳大利亚/新西兰，法律要求佩戴面罩保护脸部。



雇主有责任监督工具操作者和其他近工作区域人员佩带合适的安全防护设备。

### 电动工具使用和注意事项

1. 不要勉强使用电动工具，根据用途使用合适的电动工具。选用合适的按照额定值设计的电动工具会使你工作更有效、更安全。
2. 如果开关不能接通或关断电源，则不能使用该电动工具。不能通过开关来控制的电动工具是危险的且必须进行修理。
3. 在进行任何调节、更换附件或贮存电动工具之前，必须从电源上拔掉插头和/或卸下电池包（如可拆卸）。这种防护性的安全措施降低了电动工具意外起动的风险。

4. 将闲置不用的电动工具贮存在儿童所及范围之外，并且不允许不熟悉电动工具和不了解这些说明的人操作电动工具。电动工具在未经培训的使用者手中是危险的。
5. 维护电动工具及其附件。检查运动部件是否调整到位或卡住，检查零件破损情况和影响电动工具运行的其他状况。如有损坏，应在使用前修理好电动工具。许多事故是由维护不良的电动工具引发的。
6. 保持切削刀具锋利和清洁。维护良好地有锋利切削刃的刀具不易卡住而且容易控制。
7. 按照使用说明书，并考虑作业条件和要进行的作业来选择电动工具、附件和工具的刀头等。将电动工具用于那些与其用途不符的操作可能会导致危险情况。
8. 保持手柄和握持表面干燥、清洁，不得沾有油脂。在意外的情况下，湿滑的手柄不能保证握持的安全和对工具的控制。
9. 使用本工具时，请勿佩戴可能会缠绕的布质工作手套。布质工作手套卷入移动部件可能会造成人身伤害。

#### 电池式工具使用和注意事项

1. 仅使用生产者规定的充电器充电。将适用于某种电池包的充电器用到其他电池包时可能会发生着火危险。
2. 仅使用配有专用电池包的电动工具。使用其他电池包可能会产生伤害和着火危险。
3. 当电池包不用时，将它远离其他金属物体，例如回形针、硬币、钥匙、钉子、螺钉或其他小金属物体，以防电池包一端与另一端连接。电池组端部短路可能会引起燃烧或着火。
4. 在滥用条件下，液体可能会从电池组中溅出；应避免接触。如果意外碰到液体，用水冲洗。如果液体碰到了眼睛，还应寻求医疗帮助。从电池中溅出的液体可能会发生腐蚀或燃烧。
5. 不要使用损坏或改装过的电池包或工具。损坏或改装过的电池组可能呈现无法预测的结果，导致着火、爆炸或伤害。
6. 不要将电池包暴露于火或高温中。电池包暴露于火或高于 130 °C 的高温中可能导致爆炸。
7. 遵循所有充电说明。不要在说明书中指定的温度范围之外给电池包或电动工具充电。不正确或在指定的温度范围外充电可能会损坏电池和增加着火的风险。

#### 维修

1. 让专业维修人员使用相同的备件维修电动工具。这将保证所维修的电动工具的安全。
2. 决不能维修损坏的电池包。电池包仅能由生产者或其授权的维修服务商进行维修。
3. 上润滑油及更换附件时请遵循本说明书指示。

### 充电式电钻使用安全警告

#### 所有操作的安全注意事项

1. 使用辅助手柄。失控会造成人身伤害。
2. 使用前正确支撑工具。此工具可产生极高的输出扭矩，操作过程中若工具支撑不当可能导致失控，从而造成人员伤害。
3. 当进行作业时切割附件可能会接触到隐藏的电线，请握住电动工具的绝缘抓握表面。切割附件接触到“带电”的电线时，电动工具上暴露的金属部分可能也会“带电”，并使操作者触电。
4. 请务必确保立足稳固。在高处使用工具时确保下方无人。
5. 请牢握本工具。
6. 手应远离旋转的部件。
7. 运行中的工具不可离手放置。只可在手握工具的情况下操作工具。
8. 操作之后，请勿立刻触摸钻头或工件，因为它们可能会非常烫而导致烫伤皮肤。
9. 某些材料含有有毒化学物质。小心不要吸入粉尘，并避免皮肤接触。遵循材料供应商的安全提示。
10. 如果打开卡爪依然无法拧松钻头，请使用虎钳将其拉出。在这种情况下，徒手拉出钻头会因尖锐的边缘受伤。
11. 若工具出现声音异常等问题，请立即停止使用，并交由当地Makita（牧田）授权的维修服务中心进行维修。
12. 操作前，请务必保证地面内无埋藏物，例如电气配管、水管或气体管。否则，工具会触及上述部件，引发触电、漏电或漏气。

#### 使用长钻头时的安全注意事项

1. 操作时的速度切勿高于钻头的额定速度。在高速状态下，如果让钻头不接触工件空转，则钻头可能会弯曲，造成人身伤害。
2. 务必以低速开始钻孔，并将钻头的端部与工件接触。在高速状态下，如果让钻头不接触工件空转，则钻头可能会弯曲，造成人身伤害。

3. 只在与钻头对齐的位置施加压力，切勿过度施压。否则钻头可能弯曲导致破损或失控，造成人身伤害。

## 请保留此说明书。

**警告：** 请勿为图方便或因对产品足够熟悉（由于重复使用而获得的经验）而不严格遵循相关产品安全规则。使用不当或不遵循使用说明书中的安全规则会导致严重的人身伤害。

### 电池组的重要安全注意事项

1. 在使用电池组之前，请仔细阅读所有的说明以及 (1) 电池充电器，(2) 电池，以及 (3) 使用电池的的产品上的警告标记。
2. 切勿拆卸或改装电池组。否则可能引起火灾、过热或爆炸。
3. 如果机器运行时间变得过短，请立即停止使用。否则可能会导致过热、起火甚至爆炸。
4. 如果电解液进入您的眼睛，用清水将其冲洗干净并立即就医。否则可能会导致视力受损。
5. 请勿使电池组短路：
  - (1) 请勿使任何导电材料碰触到端子。
  - (2) 避免将电池组与其他金属物品如钉子、硬币等放置在同一容器内。
  - (3) 请勿将电池组置于水中或使其淋雨。电池短路将产生大的电流，导致过热，并可能导致起火甚至击穿。
6. 请勿在温度可能达到或超过50°C (122°F) 的场所存放以及使用工具和电池组。
7. 即使电池组已经严重损坏或完全磨损，也请勿焚烧电池组。电池组会在火中爆炸。
8. 请勿对电池组射钉，或者切削、挤压、抛掷、掉落电池组，又或者用硬物撞击电池组。否则可能引起火灾、过热或爆炸。
9. 请勿使用损坏的电池。
10. 本工具附带的锂离子电池需符合危险品法规要求。

第三方或转运营代理等进行商业运输时，应遵循包装和标识方面的特殊要求。有关运输项目的准备作业，咨询危险品方面的专业人士。同时，请遵守可能更为详尽的国家法规。  
请使用胶带保护且勿遮掩表面的联络信息，并牢固封装电池，使电池在包装内不可动。

11. 丢弃电池组时，需将其从工具上卸下并在安全地带进行处理。关于如何处理废弃的电池，请遵循当地法规。
12. 仅将电池用于Makita（牧田）指定的产品。将电池安装至不兼容的产品会导致起火、过热、爆炸或电解液泄漏。
13. 如长时间未使用工具，必须将电池从工具内取出。
14. 使用工具期间以及使用工具之后，电池组温度可能较高易引起灼伤或低温烫伤。处理高温电池组时请小心操作。
15. 在使用工具后请勿立即触碰工具的端子，否则可能引起灼伤。
16. 避免锯屑、灰尘或泥土卡入电池组的端子、孔口和凹槽内。否则可能导致工具或电池组性能下降或故障。
17. 除非工具支持在高压电源线路附近使用，否则请勿在高压电源线路附近使用电池组。否则可能导致工具或电池组故障或失常。
18. 确保电池远离儿童。

## 请保留此说明书。

**小心：** 请仅使用Makita（牧田）原装电池。使用非Makita（牧田）原装电池或经过改装的电池可能会导致电池爆炸，从而造成火灾、人身伤害或物品受损。同时也会导致牧田工具和充电器的牧田保修服务失效。

## 保持电池最大使用寿命的提示

1. 在电池组电量完全耗尽前及时充电。发现工具电量低时，请停止工具操作，并给电池组充电。
2. 请勿对已充满电的电池组重新充电。过度充电将缩短电池的使用寿命。
3. 请在10°C - 40°C (50°F - 104°F) 的室温条件下给电池组充电。请在灼热的电池组冷却后再充电。
4. 不使用电池组时，请将其从工具或充电器上拆除。
5. 如果电池组长时间（超过六个月）未使用，请给其充电。

## 功能描述

**⚠小心：** 调节或检查工具功能之前，请务必关闭工具的电源并取出电池组。

## 安装或拆卸电池组

**⚠小心：** 安装或拆卸电池组之前，请务必关闭工具电源。

**⚠小心：** 安装或拆卸电池组时请握紧工具和电池组。否则它们可能从您的手中滑落，导致工具和电池组受损，甚至造成人身伤害。

► **图片1：** 1. 红色指示器 2. 按钮 3. 电池组

拆卸电池组时，按下电池组前侧的按钮，同时将电池组从工具中抽出。

安装电池组时，要将电池组上的舌簧与外罩上的凹槽对齐，然后推滑到位。将其完全插入到位，直到锁定并发出咔哒声为止。若能看到图示中的红色指示器，则说明未完全锁紧。

**⚠小心：** 务必完全装入电池组，直至看不见红色指示器为止。否则，它可能会从工具中意外脱落，从而造成自身或他人受伤。

**⚠小心：** 请勿强行安装电池组。如果电池组难以插入，可能是插入方法不当。

## 显示电池的剩余电量

按电池组上的CHECK（查看）按钮可显示电池剩余电量。指示灯将亮起数秒。

► **图片2：** 1. 指示灯 2. CHECK（查看）按钮

指示灯			剩余电量
■ 点亮	□ 熄灭	▧ 闪烁	
■ ■ ■ ■			75%至100%
■ ■ ■ □			50%至75%
■ ■ □ □			25%至50%
■ □ □ □			0%至25%
▧ □ □ □			给电池充电。
■ ■ □ □ ↑ ↓ □ □ ■ ■			电池可能出现故障。

**注：** 在不同的使用条件及环境温度下，指示灯所示电量可能与实际情况略有不同。

**注：** 当电池保护系统启动时，第一个（最左侧）指示灯将闪烁。

## 工具 / 电池保护系统

本工具配备有工具/电池保护系统。该系统可自动切断电机电源以延长工具和电池寿命。作业时，如果工具或电池处于以下情况，工具将会自动停止运转。

### 过载保护

以导致异常高电流的方式操作工具/电池时，工具会自动停止运转。在这种情况下，请关闭工具并停止导致工具过载的应用操作。然后开启工具重新启动。

### 过热保护

工具/电池过热时，工具将自动停止运转，同时灯将闪烁。在这种情况下，请等待工具冷却后再重新开启工具。



## 过放电保护

电池电量不足时，本工具自动停止运转。此时，请取出工具中的电池并予以充电。

### 主电源开关

**警告：** 不使用时，务必关闭主电源开关。

要使工具待机，请按主电源按钮直至主电源指示灯亮起。要关闭时，请再次按主电源按钮。

► **图片3： 1.** 主电源按钮

**注：** 本工具采用自动关机功能。为避免意外启动，在打开主电源开关后的一段时间内未扣动开关扳机时，主电源开关将自动关闭。

### 开关操作

**小心：** 在将电池组插入工具之前，请务必检查开关扳机是否能扣动自如，松开时能否退回至“OFF”（关闭）位置。

► **图片4： 1.** 开关扳机

要启动工具时，请在打开主电源开关的情况下扣动开关扳机。随着在开关扳机上施加压力的增大，工具速度会提高。松开开关扳机工具即停止。

**注：** 如果持续扣动开关扳机约6分钟，机器将自动停止。

### 点亮前灯

**小心：** 请勿直视灯光或光源。

► **图片5： 1.** 照明灯

扣动开关扳机点亮照明灯。在扣动开关扳机期间此灯保持常亮。松开开关扳机约10秒后，灯将熄灭。

**注：** 工具过热时，工具将自动停止运转且灯开始闪烁。在这种情况下，请松开开关扳机。照明灯将会在5分钟内熄灭。

**注：** 请使用干布擦拭灯头灰。注意不要刮花灯头，否则会降低亮度。

## 反转开关的操作

**小心：** 操作前请务必确认工具的旋转方向。

**小心：** 只有当工具完全停止转动后方可使用反转开关。如果在工具停止之前改变旋转方向，可能会损坏工具。

**小心：** 不使用工具时，请务必将反转切换柄置于空档位置。

本工具设有反转开关，可改变旋转方向。自A侧按压反转切换柄可进行顺时针方向旋转；自B侧按压则进行逆时针方向旋转。当反转切换柄在中间位置时，无法扣动开关柄。

► **图片6： 1.** 反转切换柄







## 自动变速功能

本工具设有“高速模式”和“高转矩模式”。本工具可根据工作负荷自动改变操作模式。工作负荷较低时，本工具以“高速模式”运转，进行快速操作。工作负荷较高时，本工具则以“高转矩模式”运转，进行强力操作。

► **图片7： 1.** 模式指示灯

当本工具以“高转矩模式”运转时，模式指示灯呈绿色亮起。

工具过载操作时，模式指示灯呈绿色闪烁。降低工具上的负载后，模式指示灯停止闪烁，然后亮起或熄灭。

模式指示灯状态			操作模式
 亮起	 熄灭	 闪烁	高速模式
			
			高转矩模式
			过载警告

## 变速

**注意：**请在工具完全停止后使用变速钮。在工具停止前改变工具速度可能会损坏工具。

**注意：**请务必小心将变速钮置于正确位置。在变速钮处于位置1与位置2之间的半位时操作工具，会使工具受损。

使用变速钮可以预选两种速度范围。要改变速度时，请按锁定按钮并转动变速钮，使指针指向位置1进行低速操作，或指向位置2进行高速操作。

► **图片8：** 1. 锁定按钮 2. 指针 3. 变速钮

## 扭矩限制器

当扭矩在低速设定（位置1）下达到一定的水平时，扭矩限制器将会启动。电机将从输出轴脱离。这时工具钻头将会停止旋转。若要重启工具，请将工具钻头从工件中取出，然后重新拉动开关扳机。

## 电子功能

### 电动制动器

本工具配备有电动制动器。如果在松开开关扳机后，工具始终无法立即停止运作，请交由Makita（牧田）维修中心进行维修。

### 软启动功能

该功能可限制启动转矩，实现工具的顺利启动。

## 装配

**⚠小心：**对工具进行任何装配操作前，请务必关闭工具电源，并取出电池组。

### 安装侧把手（辅助手柄）

**⚠小心：**在进行操作之前，请务必将侧柄牢固地安装在工具上。

将侧把手牢固安装在工具上。根据实际使用的方便，可以将侧把手安装在工具的任一侧。

► **图片9：** 1. 侧把手

## 前把手

**⚠小心：**如图所示，固定前把手时，不要使其超出箭头限制的范围。注意避免手部被把手夹住。手部应远离钻机卡盘。否则会导致严重的事故。

**⚠小心：**务必确保前把手的六角螺栓（两侧）已牢固拧紧。

如图所示，前把手可安装在 $0^{\circ}$  -  $112.5^{\circ}$ 范围内的任意位置。

► **图片10：** 1. 前把手

要改变位置时，请用六角扳手拧松六角螺栓（两侧），并转动前把手至所需位置。然后牢固拧紧六角螺栓。

► **图片11：** 1. 前把手 2. 六角扳手

## 安装或拆卸钻头

安装钻头时，应将钻头装入卡盘，尽量将其推到底。用手旋紧卡盘。将卡盘键依次放入三个孔中并顺时针旋紧。请务必均匀旋紧三个卡盘孔。

拆下钻头时，将卡盘键插入一个孔中并逆时针旋转，然后用手拧松卡盘。

► **图片12：** 1. 卡盘键

使用后，请将卡盘键放回至如图所示的工具的钥匙固定座内。

► **图片13：** 1. 钥匙固定座

## 挂钩

**⚠小心：**使用挂钩悬挂工具时请务必拆下电池。

**⚠小心：**切勿将工具悬挂在高处或可能不稳固的表面。

挂钩便于临时悬挂工具。

要使用挂钩时，只需提起挂钩使其咬在打开位置即可。不使用时，务必压低挂钩使其咬在关闭位置。

► **图片14：** 1. 挂钩

► **图片15**



## 将系索（系带）连接至挂钩

**⚠️小心：** 请勿使用受损的挂钩和螺丝。使用前，务必检查其有无损坏、开裂或变形，并确保拧紧螺丝。

**⚠️小心：** 确保使用螺丝将挂钩安装牢固。

**⚠️小心：** 悬挂工具时，请勿安装或拆卸任何附件。如果未紧固螺丝，工具可能会掉落。

**⚠️小心：** 请始终使用锁紧钩环（多功用和螺旋门式钩环）并确保将系索（系带）连接至挂钩的双环部分。安装不当可能导致工具从挂钩上掉落，造成人员伤害。

挂钩也可用于连接系索（系带）。请务必将系索（系带）连接至挂钩的双环部分。

► **图片16：** 1. 挂钩的双环部分 2. 系索（系带） 3. 锁紧钩环（多功用和螺旋门式钩环）

## 操作

**⚠️小心：** 务必将电池组完全插入到位，直到其被锁定。如能看到红色指示器，则说明其未完全锁紧。此时，须将电池组完全插入，直至看不到红色指示器为止。否则，它可能会从工具中意外脱落，从而造成您自身或他人受伤。

**⚠️小心：** 如果速度极速降低，请减小负荷或停止工具以避免损坏工具。

**⚠️小心：** 操作工具时将其握牢。

## 握持工具

**⚠️小心：** 这是一款强力工具。会产生较高的扭矩，因此牢固握持和正确支撑工具是十分重要的。

应一只手握持把手，另一只手握持前把手。

► **图片17：** 1. 前把手 2. 把手

使用自进给钻头等进行大孔径钻孔时，应使用侧把手（辅助手柄）作为支撑，以便对工具进行安全控制。

正向（顺时针）钻孔时，应支撑工具以防止钻头卡滞时产生的逆时针反作用力。

► **图片18：** 1. 反作用力 2. 正向 3. 侧把手

反向钻孔时，应支撑工具以防止顺时针反作用力。如果必须把钻头从部分钻好的孔中退出，请确保在使工具反向运转前正确地支撑工具。

► **图片19：** 1. 反作用力 2. 反向

## 钻孔操作

### 在木材上钻孔

在木材上钻孔时，使用带有前导螺丝的木材用钻头将获得最佳效果。这种前导螺丝可令钻孔操作更加轻松。

### 在金属上钻孔

开始钻孔时，为了防止钻头打滑，可用一尖冲头和锤子在金属板上想要钻孔的地方打一痕记。将钻头尖端放入凹痕，然后开始钻孔。在金属上钻孔时请使用切削油。但在铁和铜材料上钻孔时应干钻。

**⚠️小心：** 过分用力按压工具并不会提高钻孔效率。事实上，过大的压力只会损坏钻头尖，降低工具性能，缩短工具使用寿命。

**⚠️小心：** 钻头即将钻穿工件时需握紧工具，注意力集中。钻穿时工具/钻头会受到极大的突然扭力。

**⚠️小心：** 取出卡住的钻头时，只需将反转开关设为反向旋转便可退出工具。但如果紧紧握住工具，工具可能突然退出。

**⚠️小心：** 请务必用虎钳或类似夹紧装置固定工件。

**⚠️小心：** 请勿对可能藏有钉子或其他可能会卡住或损坏钻头的物体的材料进行钻孔操作。

**⚠️小心：** 如果工具连续工作到电池组电量耗尽，则应暂停使用工具15分钟，再用充电后的新电池继续操作。

## 系索（系带）连接

### ⚠️ 专用于高处使用的安全警告

请通读所有的安全警告和说明事项。若不遵循警告和说明事项，则可能导致严重的人身伤害。

1. 在高处作业时，请务必系牢工具。最大系索长度为**2 m (6.5 ft)**。系索（系带）可允许的最大跌落高度不超过**2 m (6.5 ft)**。
2. 仅使用适合本工具类型的系索并可承受最低**8.0 kg (17.6 lbs)**的重量。
3. 请勿将工具系索固定在您的身体上或可移动的物体。将工具系索固定至可承受工具坠落力量的刚性结构上。
4. 使用前，确保系索两端已牢固固定。
5. 每次使用前，检查并确认系索无损坏且功能正常（包括纤维和绑结）。若受损或功能不良，请勿使用。
6. 请勿将系索揉作一团或使其接触锋利或粗糙的边缘。
7. 将系索的另一端固定到工作区域以外，以便可牢固固定跌落工具。
8. 绑结系索，使工具在跌落时远离操作人员的方向。跌落的工具会在系索上摆动，从而造成严重伤害或失去平衡。
9. 请勿在移动部件或运转机械附近使用。否则可能会造成挤压或缠结危害。
10. 请勿通过配件装置或系索携带工具。
11. 仅在您保持良好平衡时用手传递工具。
12. 将系索绑结到工具时，请勿妨碍保护罩、开关或锁止按钮的操作。
13. 避免缠结到系索中。
14. 使系索远离工具的切割区域。
15. 使用多功能和螺旋门式钩环。请勿使用单功用的弹簧夹钩环。
16. 工具坠落时，必须对其进行标记并停用，然后将其交由牧田工厂或授权的维修中心进行检查。

## 保养

⚠️ **小心：** 检查或保养工具之前，请务必关闭工具电源并取出电池组。

**注意：** 切勿使用汽油、苯、稀释剂、酒精或类似物品清洁工具。否则可能会导致工具变色、变形或出现裂缝。

为了保证产品的安全与可靠性，维修、任何其他维修保养或调节需由Makita（牧田）授权的或工厂维修服务中心完成。务必使用Makita（牧田）的替换部件。

## 选购附件

⚠️ **小心：** 这些附件或装置专用于本说明书所列的Makita（牧田）工具。如使用其他厂牌附件或装置，可能导致人身伤害。仅可将附件或装置用于规定目的。

如您需要了解更多关于这些选购附件的信息，请咨询当地的Makita（牧田）维修服务中心。

- 钻头
- 侧把手
- Makita（牧田）原装电池和充电器

**注：** 本列表中的一些部件可能作为标准配件包含于工具包装内。它们可能因销往国家之不同而异。

## SPEKIFIKASI

<b>Model:</b>		<b>DA001G</b>	
Kecepatan gigi		Tinggi	Rendah
Kapasitas pengeboran (Diameter)	Baja	13 mm	
	Kayu	Mata bor spiral: 50 mm Mata bor forstner: 65 mm Gergaji lubang: 105 mm	Mata bor spiral: 50 mm Mata bor forstner: 118 mm Gergaji lubang: 159 mm
Kecepatan tanpa beban		0 - 1.500 min <sup>-1</sup>	0 - 400 min <sup>-1</sup>
Panjang keseluruhan (dengan kartrid baterai BL4040) *Dengan pegangan depan dibuka		545 mm * 614 mm	
Tegangan terukur		D.C. 36 V - 40 V maks	
Berat bersih		5,6 - 6,2 kg	

- Karena kesinambungan program penelitian dan pengembangan kami, spesifikasi yang disebutkan di sini dapat berubah tanpa pemberitahuan.
- Spesifikasi dapat berbeda dari satu negara ke negara lainnya.
- Berat alat mungkin berbeda tergantung perangkat tambahan yang dipasang, termasuk kartrid baterai. Kombinasi alat terberat dan teringan, sesuai Prosedur EPTA 01/2014, ditunjukkan pada tabel.

### Kartrid dan pengisi daya baterai yang dapat digunakan

Kartrid baterai	BL4020 / BL4025* / BL4040* / BL4050F* *: Baterai yang direkomendasikan
Pengisi daya	DC40RA / DC40RB / DC40RC

- Beberapa kartrid baterai dan pengisi daya yang tercantum di atas mungkin tidak tersedia, tergantung wilayah tempat tinggal Anda.

**⚠ PERINGATAN:** Hanya gunakan kartrid dan pengisi daya baterai yang tercantum di atas. Penggunaan kartrid dan pengisi daya baterai lain dapat menimbulkan risiko cedera dan/atau kebakaran.

### Simbol

Berikut ini adalah simbol-simbol yang dapat digunakan pada peralatan ini. Pastikan Anda memahami arti masing-masing simbol sebelum menggunakan peralatan.



Baca petunjuk penggunaan.



Hanya untuk negara-negara UE  
Jangan membuang peralatan listrik atau paket baterai bersama-sama dengan bahan limbah rumah tangga!  
Dengan memerhatikan Petunjuk Eropa, tentang Limbah Peralatan Listrik dan Elektronik serta Baterai dan Akumulator serta Limbah Baterai dan Akumulator dan pelaksanaannya sesuai dengan ketentuan hukum nasional, peralatan listrik dan baterai dan paket baterai yang telah habis umur pakainya harus dikumpulkan secara terpisah dan dikembalikan ke fasilitas daur ulang yang kompatibel secara lingkungan.

### Penggunaan

Mesin ini digunakan untuk mengebor kayu, logam, dan plastik.

## PERINGATAN KESELAMATAN

### Peringatan keselamatan umum mesin listrik

**⚠ PERINGATAN:** Bacalah semua peringatan keselamatan, petunjuk, ilustrasi dan spesifikasi yang disertakan bersama mesin listrik ini. Kelalaian untuk mematuhi semua petunjuk yang tercantum di bawah ini dapat menyebabkan sengatan listrik, kebakaran dan/atau cedera serius.

### Simpanlah semua peringatan dan petunjuk untuk acuan di masa depan.

Istilah "mesin listrik" dalam semua peringatan mengacu pada mesin listrik yang dijalankan dengan sumber listrik jala-jala (berkabel) atau baterai (tanpa kabel).

## Keselamatan tempat kerja

1. **Jaga tempat kerja selalu bersih dan berpenerangan cukup.** Tempat kerja yang berantakan dan gelap mengundang kecelakaan.
2. **Jangan gunakan mesin listrik dalam lingkungan yang mudah meledak, misalnya jika ada cairan, gas, atau debu yang mudah menyala.** Mesin listrik menimbulkan bunga api yang dapat menyalakan debu atau uap tersebut.
3. **Jauhkan anak-anak dan orang lain saat menggunakan mesin listrik.** Bila perhatian terpecah, anda dapat kehilangan kendali.

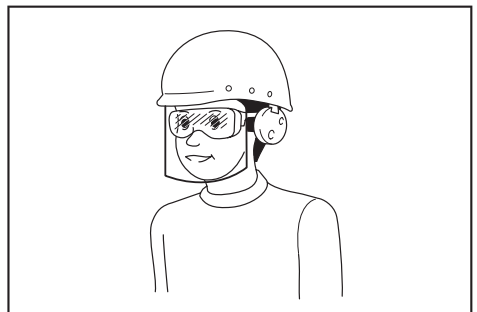
## Keamanan Kelistrikan

1. **Steker mesin listrik harus cocok dengan stopkontak. Jangan sekali-kali mengubah steker dengan cara apa pun. Jangan menggunakan steker adaptor dengan mesin listrik terbumi (dibumikan).** Steker yang tidak diubah dan stopkontak yang cocok akan mengurangi risiko sengatan listrik.
2. **Hindari sentuhan tubuh dengan permukaan terbumi atau yang dibumikan seperti pipa, radiator, kompor, dan kulkas.** Risiko sengatan listrik bertambah jika tubuh Anda terbumikan atau dibumikan.
3. **Jangan membiarkan mesin listrik kehujanan atau kebasahan.** Air yang masuk ke dalam mesin listrik akan meningkatkan risiko sengatan listrik.
4. **Jangan menyalahgunakan kabel. Jangan sekali-kali menggunakan kabel untuk membawa, menarik, atau mencabut mesin listrik dari stopkontak. Jauhkan kabel dari panas, minyak, tepian tajam, atau bagian yang bergerak.** Kabel yang rusak atau kusut memperbesar risiko sengatan listrik.
5. **Bila menggunakan mesin listrik di luar ruangan, gunakan kabel ekstensi yang sesuai untuk penggunaan di luar ruangan.** Penggunaan kabel yang sesuai untuk penggunaan luar ruangan mengurangi risiko sengatan listrik.
6. **Jika mengoperasikan mesin listrik di lokasi lembap tidak terhindarkan, gunakan pasokan daya yang dilindungi peranti imbasan arus (residual current device - RCD).** Penggunaan RCD mengurangi risiko sengatan listrik.
7. **Mesin listrik dapat menghasilkan medan magnet (EMF) yang tidak berbahaya bagi pengguna.** Namun, pengguna alat pacu jantung atau peralatan medis sejenisnya harus berkonsultasi dengan produsen peralatan tersebut dan/atau dokter mereka sebelum mengoperasikan mesin listrik ini.

## Keselamatan Diri

1. **Jaga kewaspadaan, perhatikan pekerjaan Anda dan gunakan akal sehat bila menggunakan mesin listrik. Jangan menggunakan mesin listrik saat Anda lelah atau di bawah pengaruh obat bius, alkohol, atau obat.** Sekejap saja lalai saat menggunakan mesin listrik dapat menyebabkan cedera badan serius.

2. **Gunakan alat pelindung diri. Selalu gunakan pelindung mata.** Peralatan pelindung seperti masker debu, sepatu pengaman anti-selip, helm pengaman, atau pelindung telinga yang digunakan untuk kondisi yang sesuai akan mengurangi risiko cedera badan.
3. **Cegah penyalahan yang tidak disengaja. Pastikan bahwa sakelar berada dalam posisi mati (off) sebelum menghubungkan mesin ke sumber daya dan/atau paket baterai, atau mengangkat atau membawanya.** Membawa mesin listrik dengan jari Anda pada sakelarnya atau mengalirkan listrik pada mesin listrik yang sakelarnya hidup (on) akan mengundang kecelakaan.
4. **Lepaskan kunci-kunci penyetel sebelum menghidupkan mesin listrik.** Kunci-kunci yang masih terpasang pada bagian mesin listrik yang berputar dapat menyebabkan cedera.
5. **Jangan meraih terlalu jauh. Jagalah pijakan dan keseimbangan sepanjang waktu.** Hal ini memungkinkan kendali yang lebih baik atas mesin listrik dalam situasi yang tidak diharapkan.
6. **Kenakan pakaian yang memadai. Jangan memakai pakaian yang longgar atau perhiasan. Jaga jarak antara rambut dan pakaian Anda dengan komponen mesin yang bergerak.** Pakaian yang longgar, perhiasan, atau rambut yang panjang dapat tersangkut pada komponen yang bergerak.
7. **Jika tersedia fasilitas untuk menghisap dan mengumpulkan debu, pastikan fasilitas tersebut terhubung listrik dan digunakan dengan baik.** Penggunaan pembersih debu dapat mengurangi bahaya yang terkait dengan debu.
8. **Jangan sampai Anda lengah dan mengabaikan prinsip keselamatan mesin ini hanya karena sudah sering mengoperasikannya dan sudah merasa terbiasa.** Tindakan yang lalai dapat menyebabkan cedera berat dalam sepersekian detik saja.
9. **Selalu kenakan kacamata pelindung untuk melindungi mata dari cedera saat menggunakan mesin listrik.** Kacamata harus sesuai dengan ANSI Z87.1 di Amerika Serikat, EN 166 di Eropa, atau AS/NZS 1336 di Australia/Selandia Baru. Di Australia/Selandia Baru, secara hukum Anda juga diwajibkan mengenakan pelindung wajah untuk melindungi wajah Anda.



**Menjadi tanggung jawab atasan untuk menerapkan penggunaan alat pelindung keselamatan yang tepat bagi operator mesin dan orang lain yang berada di area kerja saat itu.**

#### **Penggunaan dan pemeliharaan mesin listrik**

1. **Jangan memaksa mesin listrik. Gunakan mesin listrik yang tepat untuk keperluan Anda.** Mesin listrik yang tepat akan menuntaskan pekerjaan dengan lebih baik dan aman pada kecepatan sesuai rancangannya.
2. **Jangan gunakan mesin listrik jika sakelar tidak dapat menyalakan dan mematikannya.** Mesin listrik yang tidak dapat dikendalikan dengan sakelarnya adalah berbahaya dan harus diperbaiki.
3. **Cabut steker dari sumber listrik dan/atau lepas paket baterai, jika dapat dilepas, dari mesin listrik sebelum melakukan penyetelan apa pun, mengganti aksesoris, atau menyimpan mesin listrik.** Langkah keselamatan preventif tersebut mengurangi risiko hidupnya mesin secara tak sengaja.
4. **Simpan mesin listrik jauh dari jangkauan anak-anak dan jangan biarkan orang yang tidak paham mengenai mesin listrik tersebut atau petunjuk ini menggunakan mesin listrik.** Mesin listrik sangat berbahaya di tangan pengguna yang tak terlatih.
5. **Rawatlah mesin listrik dan aksesoris. Periksa apakah ada komponen bergerak yang tidak lurus atau macet, komponen yang pecah, dan kondisi-kondisi lain yang dapat memengaruhi pengoperasian mesin listrik. Jika rusak, perbaiki mesin listrik terlebih dahulu sebelum digunakan.** Banyak kecelakaan disebabkan oleh kurangnya pemeliharaan mesin listrik.
6. **Jaga agar mesin pemotong tetap tajam dan bersih.** Mesin pemotong yang terawat baik dengan mata pemotong yang tajam tidak mudah macet dan lebih mudah dikendalikan.
7. **Gunakan mesin listrik, aksesoris, dan mata mesin, dll. sesuai dengan petunjuk ini, dengan memperhitungkan kondisi kerja dan jenis pekerjaan yang dilakukan.** Penggunaan mesin listrik untuk penggunaan yang lain dari peruntukan dapat menimbulkan situasi berbahaya.
8. **Jagalah agar gagang dan permukaan pegangan tetap kering, bersih, dan bebas dari minyak dan pelumas.** Gagang dan permukaan pegangan yang licin tidak mendukung keamanan penanganan dan pengendalian mesin dalam situasi-situasi tak terduga.
9. **Ketika menggunakan mesin, jangan menggunakan sarung tangan kain yang dapat tersangkut.** Sarung tangan kain yang tersangkut pada komponen bergerak dapat mengakibatkan cedera pada pengguna.

#### **Penggunaan dan pemeliharaan mesin bertenaga baterai**

1. **Isi ulang baterai hanya dengan pengisi daya yang ditentukan oleh pabrikan.** Pengisi daya yang cocok untuk satu jenis paket baterai dapat menimbulkan risiko kebakaran ketika digunakan untuk paket baterai yang lain.

2. **Gunakan mesin listrik hanya dengan paket baterai yang telah ditentukan secara khusus.** Penggunaan paket baterai lain dapat menimbulkan risiko cedera dan kebakaran.
3. **Ketika paket baterai tidak digunakan, jauhkan dari benda logam lain, seperti penjepit kertas, uang logam, kunci, paku, sekrup atau benda logam kecil lainnya, yang dapat menghubungkan satu terminal ke terminal lain.** Hubungan singkat terminal baterai dapat menyebabkan luka bakar atau kebakaran.
4. **Pemakaian yang salah, dapat menyebabkan kealuannya cairan dari baterai; hindari kontak. Jika terjadi kontak secara tidak sengaja, bilas dengan air. Jika cairan mengenai mata, cari bantuan medis.** Cairan yang keluar dari baterai bisa menyebabkan iritasi atau luka bakar.
5. **Jangan menggunakan paket baterai atau mesin yang sudah rusak atau telah diubah.** Baterai yang rusak atau telah diubah dapat menyebabkan hal-hal yang tidak dapat diprediksi yang dapat menyebabkan kebakaran, ledakan atau risiko cedera.
6. **Jangan membiarkan paket baterai atau mesin dekat dengan api atau suhu yang berlebihan.** Paparan api atau suhu di atas 130 °C dapat menyebabkan ledakan.
7. **Ikuti semua petunjuk pengisian daya dan jangan mengisi daya paket baterai atau mesin di luar rentang suhu yang ditentukan di panduan.** Mengisi daya secara tidak tepat atau pada suhu di luar rentang yang ditentukan dapat merusak baterai dan meningkatkan risiko kebakaran.

#### **Servis**

1. **Berikan mesin listrik untuk diperbaiki hanya kepada oleh teknisi yang berkualifikasi dengan menggunakan hanya suku cadang pengganti yang serupa.** Hal ini akan menjamin terjaminnya keamanan mesin listrik.
2. **Jangan pernah memperbaiki paket baterai yang sudah rusak.** Perbaikan paket baterai harus dilakukan hanya oleh produsen atau penyedia servis resmi.
3. **Patuhi petunjuk pelumasan dan penggantian aksesoris.**

### **Peringatan keselamatan bor tanpa kabel**

#### **Petunjuk keselamatan untuk semua pengoperasian**

1. **Gunakan gagang tambahan.** Kehilangan kendali dapat menyebabkan cedera.
2. **Tahan mesin dengan benar sebelum digunakan.** Mesin ini menghasilkan torsi keluaran tinggi dan jika tidak menahan alat dengan benar selama pengoperasian, dapat terjadi hilang kontrol yang mengakibatkan cedera.

3. **Pegang mesin listrik pada permukaan genggam yang terisolasi saat melakukan pekerjaan bila aksesoris pemotong mungkin bersentuhan dengan kawat yang tersembunyi.** Aksesoris pemotong yang menyentuh kawat yang "aktif" dapat menyebabkan bagian logam pada mesin teraliri arus listrik "aktif" dan menyengat pengguna.
4. **Selalu pastikan Anda memiliki pijakan kuat. Pastikan tidak ada orang di bawah Anda ketika menggunakan mesin di lokasi tinggi.**
5. **Pegang mesin kuat-kuat.**
6. **Jauhkan tangan dari bagian yang berputar.**
7. **Jangan tinggalkan mesin dalam keadaan hidup. Jalankan mesin hanya ketika digenggam tangan.**
8. **Jangan menyentuh mata bor atau benda kerja segera setelah pengoperasian; suhunya mungkin masih sangat panas dan dapat membakar kulit Anda.**
9. **Bahan tertentu mengandung zat kimia yang mungkin beracun. Hindari menghirup debu dan persentuhan dengan kulit. Ikuti data keselamatan bahan dari pemasok.**
10. **Jika mata bor tidak dapat dikendurkan bahkan saat Anda membuka rahang, gunakan tang untuk menariknya keluar.** Dalam kasus semacam itu, menarik mata bor dengan tangan dapat mengakibatkan cedera dikarenakan ujungnya yang tajam.
11. **Jika ada yang tidak beres dengan mesin seperti suara tidak normal, segera hentikan operasi dan hubungi Pusat Layanan Makita setempat untuk meminta perbaikan.**
12. **Sebelum penggunaan, pastikan tidak ada benda yang terkubur seperti pipa listrik, pipa air, atau pipa gas di tanah.** Jika tidak, mesin dapat menyentuhnya, sehingga mengakibatkan sengatan listrik, kebocoran arus listrik, atau kebocoran gas.

#### **Petunjuk keselamatan saat menggunakan mata bor panjang**

1. **Jangan sekali-kali mengoperasikan dengan kecepatan yang melebihi nilai kecepatan maksimum mata bor.** Pada kecepatan yang lebih tinggi, mata bor kemungkinan dapat bengkok jika dibiarkan berputar bebas tanpa menyentuh benda kerja, dan dapat mengakibatkan cedera.
2. **Selalu gunakan kecepatan rendah saat mulai menggebor dan pastikan ujung mata bor menyentuh benda kerja.** Pada kecepatan yang lebih tinggi, mata bor kemungkinan dapat bengkok jika dibiarkan berputar bebas tanpa menyentuh benda kerja, dan dapat mengakibatkan cedera.
3. **Berikan tekanan hanya di garis langsung dengan mata bor dan jangan memberi tekanan berlebihan.** Mata bor dapat bengkok dan menyebabkan kerusakan atau hilangnya kendali yang mengakibatkan cedera.

## **SIMPAN PETUNJUK INI.**

**⚠️PERINGATAN:** JANGAN biarkan kenyamanan atau terbiasanya Anda dengan produk (karena penggunaan berulang) mengurangi kepatuhan yang ketat terhadap aturan keselamatan untuk produk yang terkait. **PENYALAHGUNAAN** atau kelalaian mematuhi kaidah keselamatan yang tertera dalam petunjuk ini dapat menyebabkan cedera badan serius.

### **Petunjuk keselamatan penting untuk kartrid baterai**

1. **Sebelum menggunakan kartrid baterai, bacalah semua petunjuk dan penandaan pada (1) pengisi daya baterai, (2) baterai, dan (3) produk yang menggunakan baterai.**
2. **Jangan membongkar atau memodifikasi kartrid baterai.** Tindakan tersebut dapat menimbulkan api, panas berlebih, atau ledakan.
3. **Jika waktu beroperasinya menjadi sangat singkat, segera hentikan penggunaan.** Hal tersebut dapat menimbulkan risiko panas berlebih, kemungkinan mengalami luka bakar atau bahkan terjadi ledakan.
4. **Jika elektrolit mengenai mata Anda, basuh dengan air bersih dan segera cari pertolongan medis.** Hal tersebut dapat mengakibatkan hilangnya kemampuan penglihatan Anda.
5. **Jangan menghubungkan terminal kartrid baterai:**
  - (1) **Jangan menyentuh terminal dengan bahan penghantar listrik apa pun.**
  - (2) **Hindari menyimpan kartrid baterai pada wadah yang berisi benda logam lain seperti paku, uang logam, dsb.**
  - (3) **Jangan membiarkan baterai terkena air atau kehujanan.**

Hubungan singkat baterai dapat menyebabkan aliran arus listrik yang besar, panas berlebih, kemungkinan mengalami luka bakar dan bahkan kerusakan pada baterai.
6. **Jangan menyimpan dan menggunakan mesin dan kartrid baterai pada lokasi dengan suhu yang bisa mencapai atau melebihi 50 °C (122 °F).**
7. **Jangan membuang kartrid baterai di tempat pembakaran sampah walaupun benar-benar rusak atau tidak bisa digunakan sama sekali.** Kartrid baterai bisa meledak jika terbakar.
8. **Jangan memaku, memotong, menghancurkan, melempar, menjatuhkan kartrid baterai, atau memukulkan benda keras ke kartrid baterai.** Tindakan tersebut dapat menimbulkan api, panas berlebih, atau ledakan.
9. **Jangan menggunakan baterai yang rusak.**



10. **Baterai litium-ion yang disertakan sesuai dengan persyaratan Perundangan Makanan Berbahaya.**  
Harus ada pengawasan untuk pengangkutan komersial misalnya oleh pihak ketiga, ekspeditor, persyaratan khusus terhadap pengemasan dan pelabelan.  
Diperlukan adanya konsultasi dengan ahli mengenai material berbahaya untuk persiapan barang yang akan dikirimkan. Perhatikan pula peraturan nasional yang lebih terperinci yang mungkin ada.  
Beri perekat atau tutupi bagian yang terbuka dan kemas baterai dengan cara yang tidak akan menimbulkan pergeseran dalam pengemasan.
  11. **Ketika membuang kartrid baterai, lepaskan dari mesin dan buang ke tempat yang aman. Patuhi peraturan setempat yang berkaitan dengan pembuangan baterai.**
  12. **Gunakan baterai hanya dengan produk yang ditentukan oleh Makita.** Memasang baterai pada produk yang tidak sesuai dapat menyebabkan kebakaran, kelebihan panas, ledakan, atau kebocoran elektrolit.
  13. **Jika mesin tidak digunakan dalam jangka waktu yang lama, baterai harus dilepas dari mesin.**
  14. **Selama dan setelah digunakan, kartrid baterai mungkin menyimpan panas yang dapat menyebabkan luka bakar atau luka bakar suhu rendah.** Perhatikan cara memegang kartrid baterai yang masih panas.
  15. **Jangan langsung menyentuh terminal mesin setelah digunakan karena suhunya mungkin cukup panas untuk menyebabkan luka bakar.**
  16. **Jangan biarkan serpihan, debu, atau tanah menempel di terminal, lubang, dan alur kartrid baterai.** Hal tersebut dapat mengakibatkan kinerja buruk atau kerusakan mesin maupun kartrid baterai.
  17. **Kecuali jika mesin mendukung penggunaan di dekat saluran listrik bertegangan tinggi, jangan gunakan kartrid baterai di dekat saluran listrik bertegangan tinggi.** Hal tersebut dapat mengakibatkan kegagalan fungsi atau kerusakan mesin maupun kartrid baterai.
  18. **Jauhkan baterai dari jangkauan anak-anak.**
2. **Jangan pernah mengisi ulang kartrid baterai yang sudah diisi penuh. Pengisian ulang yang berlebih memperpendek umur pemakaian baterai.**
  3. **Isi ulang kartrid baterai pada suhu ruangan 10 °C - 40 °C. Biarkan kartrid baterai yang panas menjadi dingin terlebih dahulu sebelum diisi ulang.**
  4. **Saat kartrid baterai tidak digunakan, lepaskan dari mesin atau pengisi daya.**
  5. **Isi ulang daya kartrid baterai jika Anda tidak menggunakannya untuk jangka waktu yang lama (lebih dari enam bulan).**

## DESKRIPSI FUNGSI

**⚠PERHATIAN:** Selalu pastikan bahwa mesin dimatikan dan kartrid baterai dilepas sebelum menyatel atau memeriksa kerja mesin.

## Memasang atau melepas baterai

**⚠PERHATIAN:** Selalu matikan mesin sebelum memasang atau melepas kartrid baterai.

**⚠PERHATIAN:** Pegang mesin dan kartrid baterai kuat-kuat saat memasang atau melepas kartrid baterai. Kelalaian untuk memegang mesin dan kartrid baterai kuat-kuat bisa menyebabkan keduanya tergelincir dari tangan Anda dan mengakibatkan kerusakan pada mesin dan kartrid baterai dan cedera diri.

- **Gbr.1:** 1. Indikator berwarna merah 2. Tombol 3. Kartrid baterai

Untuk melepas kartrid baterai, geser dari mesin sambil menggeser tombol pada bagian depan kartrid.

Untuk memasang kartrid baterai, sejajarkan lidah kartrid baterai dengan alur pada rumah dan masukkan ke dalam tempatnya. Masukkan seluruhnya sampai terkunci pada tempatnya dan terdengar bunyi klik kecil. Jika Anda bisa melihat indikator berwarna merah seperti yang ditunjukkan pada gambar, ini artinya kartrid baterai tidak terkunci sempurna.

**⚠PERHATIAN:** Selalu pasang kartrid baterai sepenuhnya sampai indikator berwarna merah tidak terlihat. Jika tidak, bisa terlepas dari mesin secara tidak sengaja, menyebabkan luka pada Anda atau orang di sekitar Anda.

**⚠PERHATIAN:** Jangan memasang kartrid baterai secara paksa. Jika kartrid tidak bergeser dengan mudah, berarti tidak dimasukkan dengan benar.

## SIMPAN PETUNJUK INI.

**⚠PERHATIAN:** Gunakan baterai asli Makita. Penggunaan baterai Makita yang tidak asli, atau baterai yang sudah diubah, akan mengakibatkan baterai mudah terbakar, cedera dan kerusakan. Akan menghilangkan garansi Makita pada pengisi daya dan alat Makita.

## Tip untuk menjaga agar umur pemakaian baterai maksimum

1. **Isi ulang kartrid baterai sebelum habis sama sekali. Selalu hentikan penggunaan mesin dan ganti kartrid baterai jika Anda melihat bahwa mesin kurang tenaga.**

## Mengindikasikan kapasitas baterai yang tersisa

Tekan tombol pemeriksaan pada kartrid baterai untuk melihat kapasitas baterai yang tersisa. Lampu indikator menyala selama beberapa detik.

► **Gbr.2:** 1. Lampu indikator 2. Tombol pemeriksaan

Lampu indikator			Kapasitas yang tersisa
Menyala	Mati	Berkedip	
■	□	▧	75% hingga 100%
■ ■ ■ ■	□	□	50% hingga 75%
■ ■	□ □	□	25% hingga 50%
■	□ □ □ □	□	0% hingga 25%
▧	□ □ □ □	□	Isi ulang baterai.
■ ■	□ □	□ □	Baterai mungkin sudah rusak.
□ □	■ ■	□ □	

**CATATAN:** Tergantung kondisi penggunaan dan suhu lingkungannya, penunjukkan mungkin saja sedikit berbeda dari kapasitas sebenarnya.

**CATATAN:** Lampu indikator pertama (ujung kiri) akan berkedip ketika sistem perlindungan mesin bekerja.

## Sistem perlindungan mesin / baterai

Mesin ini dilengkapi dengan sistem perlindungan mesin/ baterai. Sistem ini memutus daya ke motor secara otomatis untuk memperpanjang umur pakai mesin dan baterai. Mesin akan berhenti secara otomatis saat dioperasikan jika mesin atau baterai mengalami salah satu dari kondisi-kondisi berikut ini:

### Perlindungan kelebihan beban

Jika mesin/baterai digunakan dengan cara yang menjadikan baterai mengeluarkan arus tinggi yang berlebihan, mesin akan berhenti secara otomatis. Dalam situasi ini, matikan mesin dan hentikan pekerjaan yang menyebabkan mesin mengalami kelebihan beban. Kemudian, nyalakan mesin untuk kembali melanjutkan pekerjaan.

### Perlindungan panas berlebih

Apabila mesin/baterai terlalu panas, mesin akan berhenti secara otomatis dan lampu akan berkedip. Untuk situasi ini, biarkan mesin menjadi dingin sebelum menyalakan mesin lagi.

## Perlindungan pengisian daya berlebih

Ketika kapasitas baterai tidak cukup, mesin akan berhenti secara otomatis. Dalam kondisi ini, lepaskan baterai dari mesin dan isi ulang baterai.

## Sakelar daya utama

**PERINGATAN:** Selalu matikan sakelar daya utama saat tidak digunakan.

Agar mesin standby, tekan tombol daya utama hingga lampu daya utama menyala. Untuk mematikan, tekan tombol daya utama lagi.

► **Gbr.3:** 1. Tombol daya utama

**CATATAN:** Mesin ini menggunakan fungsi pemutus daya otomatis. Untuk menghindari penyalaaan yang tidak disengaja, sakelar daya utama akan secara otomatis mati ketika pelatuk sakelar tidak ditarik selama beberapa saat setelah sakelar daya utama dinyalakan.

## Kerja sakelar

**PERHATIAN:** Sebelum memasukkan kartrid baterai pada mesin, pastikan picu saklar berfungsi dengan baik dan kembali ke posisi "OFF" saat dilepas.

► **Gbr.4:** 1. Pelatuk sakelar

Untuk memulai mesin, tarik pelatuk sakelar dengan sakelar daya utama di posisi menyala. Kecepatan mesin akan meningkat dengan menambah tekanan pada pelatuk sakelar. Lepaskan pelatuk sakelar untuk berhenti.

**CATATAN:** Mesin akan berhenti secara otomatis jika Anda tetap menarik picu sakelar selama kira-kira 6 menit.

## Menyalakan lampu depan

**PERHATIAN:** Jangan melihat lampu atau sumber cahaya secara langsung.

► **Gbr.5:** 1. Lampu

Tarik picu saklar untuk menyalakan lampu. Lampu tetap menyala selama picu saklar ditarik. Lampu akan padam kira-kira 10 detik setelah melepas picu saklar.

**CATATAN:** Apabila mesin terlalu panas, mesin akan berhenti secara otomatis dan lampu akan mulai menyala. Dalam keadaan ini, lepaskan pelatuk sakelar. Lampu akan mati dalam 5 menit.

**CATATAN:** Gunakan kain kering untuk mengelap kotoran dari lensa lampu. Hati-hati jangan sampai menggores lensa lampu, atau hal tersebut dapat menurunkan tingkat penerangannya.



## Kerja saklar pembalik arah

**⚠️ PERHATIAN:** Selalu periksa arah putaran sebelum penggunaan.

**⚠️ PERHATIAN:** Gunakan saklar pembalik arah hanya setelah mesin benar-benar berhenti. Mengubah arah putaran sebelum mesin berhenti dapat merusak mesin.

**⚠️ PERHATIAN:** Saat mesin tidak digunakan, selalu posisikan tuas saklar pembalik arah pada posisi netral.

Mesin ini memiliki saklar pembalik arah untuk mengubah arah putaran. Tekan tuas saklar pembalik arah dari sisi A untuk putaran searah jarum jam atau dari sisi B untuk putaran berlawanan arah jarum jam. Ketika tuas saklar pengganti arah pada posisi netral, tuas sakelar tidak bisa ditarik.




► **Gbr.6:** 1. Tuas saklar pembalik arah

## Fungsi perubahan kecepatan otomatis

Mesin ini memiliki "mode kecepatan tinggi" dan "mode putaran tinggi". Mesin secara otomatis mengubah mode pengoperasian tergantung pada beban kerja. Ketika beban kerja rendah, mesin akan bekerja dalam "mode kecepatan tinggi" untuk pengoperasian dengan lebih cepat. Ketika beban kerja tinggi, mesin akan bekerja dalam "mode putaran tinggi" untuk pengoperasian dengan lebih bertenaga.

► **Gbr.7:** 1. Indikator mode

Indikator mode menyala dalam warna hijau ketika mesin berada dalam "mode putaran tinggi". Jika mesin mengalami kelebihan beban, indikator mode akan berkedip hijau. Indikator mode akan berhenti berkedip dan menyala atau padam jika Anda mengurangi beban pada mesin.

Status indikator mode			Mode pengoperasian
<input checked="" type="radio"/> Menyala	<input type="radio"/> Mati	<input type="radio"/> Berkedip	
			Mode kecepatan tinggi
			Mode putaran tinggi
			Peringatan kelebihan beban

## Perubahan kecepatan

**PEMBERITAHUAN:** Gunakan knop perubahan kecepatan hanya setelah mesin berhenti penuh. Mengubah kecepatan mesin sebelum mesin tersebut berhenti dapat merusak mesin.

**PEMBERITAHUAN:** Selalu posisikan knop perubahan kecepatan dengan cermat pada posisi yang tepat. Jika Anda menggunakan mesin dengan knop perubahan kecepatan berada di posisi tengah antara posisi 1 dan posisi 2, mesin bisa rusak.

Dua rentang kecepatan bisa dipilih di awal melalui knop perubahan kecepatan.

Untuk mengubah kecepatan, tekan tombol kunci dan putar knop perubahan kecepatan sehingga penunjuk mengarah ke posisi 1 untuk kecepatan rendah dan posisi 2 untuk kecepatan tinggi.

► **Gbr.8:** 1. Tombol kunci 2. Penunjuk 3. Knop perubahan kecepatan

## Pembatas torsi

Pembatas torsi akan berfungsi ketika mencapai tingkat torsi tertentu pada kecepatan rendah (posisi 1). Motor akan terlepas dari poros keluaran. Ketika hal ini terjadi, mata pahat akan berhenti berputar.

Untuk menghidupkan kembali mesin, angkat mata pahat keluar dari benda kerja lalu tarik kembali pelatuk sakelar.

## Fungsi elektronik

### Rem elektrik

Mesin ini dilengkapi dengan rem elektrik. Jika mesin selalu gagal melakukan penghentian fungsi secara cepat setelah pelatuk sakelar dilepaskan, lakukan servis mesin di pusat servis Makita.

### Fitur awal pengerjaan lembut

Fungsi ini memungkinkan menyalakan mesin dengan halus dengan membatasi torsi awal.

## PERAKITAN

**⚠️ PERHATIAN:** Selalu pastikan bahwa mesin dimatikan dan kartrid baterai dilepas sebelum melakukan pekerjaan apa pun pada mesin.

## Memasang gagang sisi (pegangan tambahan)

**⚠️ PERHATIAN:** Selalu pastikan bahwa gagang sisi terpasang dengan kuat sebelum penggunaan.

Pasang gagang sisi pada mesin dengan menggunakan sekrup. Gagang sisi bisa dipasang pada salah satu sisi mesin, sesuai dengan keinginan.

► **Gbr.9:** 1. Gagang sisi

## Pegangan depan

**⚠️PERHATIAN:** Jangan menyatel pegangan depan melewati batas tanda panah seperti pada gambar. Hati-hati jangan sampai tangan Anda terjepit gagang. Jauhkan tangan Anda dari cuk bor. Hal tersebut bisa menyebabkan kecelakaan serius.

**⚠️PERHATIAN:** Selalu pastikan bahwa baut kepala segi-enam (kedua sisi) pada pegangan depan telah dikencangkan dengan kuat.

Pegangan depan dapat dipasang dengan posisi apa pun dalam rentang 0° - 112,5° seperti pada gambar.

► **Gbr.10:** 1. Pegangan depan

Untuk mengubah posisi, kendurkan baut kepala segi-enam (kedua sisi) dengan kunci L kemudian putar pegangan depan ke posisi yang diinginkan. Kemudian kencangkan baut kepala segi-enam kuat-kuat.

► **Gbr.11:** 1. Pegangan depan 2. Kunci L

## Memasang atau melepas mata bor

Untuk memasang mata bor, masukkan mata bor ke dalam cekam sedalam mungkin. Kencangkan cekam dengan tangan. Masukkan kunci cekam ke dalam tiga lubang yang ada, lalu kencangkan searah jarum jam. Pastikan ketiga lubang cekam dikencangkan secara seragam.

Untuk melepas mata bor, putar kunci cekam bor berlawanan arah jarum jam pada satu lubang saja, lalu kendurkan cekam dengan tangan.

► **Gbr.12:** 1. Kunci cekam

Setelah penggunaan, kembalikan kunci cekam ke penahan kunci seperti pada gambar.

► **Gbr.13:** 1. Penahan kunci

## Kait

**⚠️PERHATIAN:** Selalu lepas baterai bila akan menggantung mesin dengan menggunakan kait.

**⚠️PERHATIAN:** Jangan sekali-kali mengaitkan mesin di lokasi yang tinggi atau di permukaan yang berpotensi tidak stabil.

Kait dapat digunakan untuk menggantung mesin untuk sementara waktu.

Untuk menggunakan kait, cukup angkat kait sampai terkunci ke posisi terbuka. Bila tidak digunakan, selalu turunkan kait sampai terkunci ke posisi tertutup.

► **Gbr.14:** 1. Kait

► **Gbr.15**

## Menyambungkan gantungan tali (strap penambat) ke kait

**⚠️PERHATIAN:** Jangan gunakan kait dan sekrup yang rusak. Sebelum menggunakan, selalu pastikan tidak ada kerusakan, keretakan, atau perubahan bentuk, dan sekrup telah dikencangkan.

**⚠️PERHATIAN:** Pastikan kait terpasang kuat dengan sekrup.

**⚠️PERHATIAN:** Jangan memasang atau melepaskan aksesori apa pun saat menggantung mesin. Mesin dapat terjatuh jika sekrup tidak dikencangkan.

**⚠️PERHATIAN:** Selalu gunakan karabiner pengunci (tipe multi-tindakan dan gate sekrup) dan pastikan untuk memasang gantungan tali (strap penambat) ke bagian kait yang dililitkan dua kali. Pemasangan yang tidak benar dapat menyebabkan mesin terlepas dari kait dan mengakibatkan cedera.

Kait juga digunakan untuk menyambungkan gantungan tali (strap penambat). Pastikan untuk menghubungkan gantungan tali (strap penambat) ke bagian kait yang dililitkan dua kali.

► **Gbr.16:** 1. Bagian kait yang dililitkan dua kali  
2. Gantungan tali (strap penambat)  
3. Karabiner pengunci (tipe multi-tindakan dan gate sekrup)

## PENGUNAAN

**⚠️PERHATIAN:** Selalu masukkan kartrid baterai seluruhnya sampai terkunci pada tempatnya dan terdengar bunyi klik kecil. Jika Anda bisa melihat indikator berwarna merah, berarti tidak terkunci sepenuhnya. Masukkan sepenuhnya sampai indikator berwarna merah tidak terlihat. Jika tidak, kartrid baterai mungkin saja terlepas dari mesin, dan dapat menyebabkan cedera pada diri Anda atau orang di sekitar Anda.

**⚠️PERHATIAN:** Ketika kecepatan menurun dengan drastis, kurangi muatan atau hentikan mesin untuk menghindari kerusakan mesin.

**⚠️PERHATIAN:** Pegang mesin dengan kuat saat mengoperasikannya.

## Memegang mesin

**⚠️PERHATIAN:** Mesin ini bertenaga kuat. Mengingat tingginya torsi yang dihasilkan, penting kiranya bahwa mesin harus dipegang dengan kuat dan ditahan dengan baik.

Pegang pegangan dengan satu tangan dan pegangan depan dengan tangan satunya.

► **Gbr.17:** 1. Pegangan depan 2. Pegangan

Saat mengebor lubang yang besar dengan mata bor forstner, dsb., gagang sisi (pegangan tambahan) harus digunakan sebagai penahan agar tetap bisa mengendalikan mesin dengan aman.

Jika kerja pengeboran arahnya maju (searah jarum jam), mesin harus ditahan untuk mencegah reaksi berlawanan arah jarum jam jika mata bor macet.

► **Gbr.18:** 1. Reaksi 2. Arah maju 3. Gagang sisi

Jika arah kerjanya terbalik, tahan mesin untuk mencegah reaksi searah jarum jam. Jika mata bor harus dikeluarkan dari lubang yang sudah dibor setengahnya, pastikan mesin ditahan dengan benar sebelum dibalik arahnya.

► **Gbr.19:** 1. Reaksi 2. Arah mundur

## Pekerjaan pengeboran

### Mengebor kayu

Ketika mengebor kayu, hasil terbaik didapat dengan mata bor kayu yang dilengkapi sekrup pemandu. Sekrup pemandu mempermudah pengeboran dengan menarik mata bor ke dalam benda kerja.

### Mengebor logam

Untuk mencegah mata bor selip ketika mulai membuat lubang, buatlah takik dengan penitik lalu palu pada titik yang akan dibor. Letakkan ujung mata bor pada takik dan mulailah mengebor.

Gunakan cairan pendingin saat mengebor logam. Pengecualian untuk besi dan kuningan yang harus dibor kering.

**⚠PERHATIAN:** Menekan mesin secara berlebihan tidak akan mempercepat pengeboran. Bahkan, tekanan yang berlebihan hanya akan merusak mata bor Anda, mengurangi kinerja mesin dan memperpendek usia pakai mesin.

**⚠PERHATIAN:** Pegang mesin dengan kuat dan berhati-hatilah saat mata bor menembus benda kerja. Akan timbul gaya yang sangat kuat pada mesin/mata bor saat menembus lubang.

**⚠PERHATIAN:** Mata bor yang macet dapat dicabut dengan menyetel saklar pembalik arah agar mesin berputar berlawanan arah untuk mundur. Tetapi, mesin bisa saja mundur mendadak jika Anda tidak memegangnya dengan kuat.

**⚠PERHATIAN:** Selalu kencangkan benda kerja menggunakan ragum atau perangkat penahan yang serupa.

**⚠PERHATIAN:** Hindari mengebor material yang Anda perkirakan ada paku tersembunyi atau benda lain yang bisa menyebabkan bengkok atau rusaknya mata bor.

**⚠PERHATIAN:** Jika mesin terus-menerus digunakan sampai kartrid baterai habis, istirahatkan mesin selama 15 menit sebelum melanjutkan menggunakan baterai yang penuh.

## Sambungan gantungan tali (strap penambat)

**⚠Peringatan keselamatan khusus untuk penggunaan di ketinggian**

Bacalah semua peringatan dan petunjuk keselamatan. Kelalaian untuk mengikuti peringatan dan petunjuk dapat menyebabkan cedera serius.

1. **Selalu jaga mesin agar tertambat ketika bekerja “di ketinggian”.** Panjang gantungan tali maksimum 2 m (6,5 kaki). Tinggi jatuh maksimum yang diizinkan untuk gantungan tali (strap penambat) tidak boleh lebih dari 2 m (6,5 kaki).
2. Hanya gunakan gantungan tali yang sesuai untuk jenis mesin ini dan kuat setidaknya untuk beban 8,0 kg (17,6 lbs).
3. Jangan kaitkan gantungan tali mesin ke bagian tubuh Anda mana pun atau pada komponen yang bergerak. Kaitkan gantungan tali mesin ke struktur yang kuat dan dapat menopang daya beban saat alat terjatuh.
4. Pastikan gantungan tali terpasang dengan baik di setiap ujungnya sebelum penggunaan.
5. Periksa mesin dan gantungan tali sebelum setiap penggunaan untuk memeriksa kerusakan dan memastikan fungsi yang baik (termasuk bahan dan jahitan). Jangan gunakan jika rusak atau tidak berfungsi dengan baik.
6. Jangan membungkus gantungan tali atau membiarkannya bersentuhan dengan tepian yang tajam atau kasar.
7. Kencangkan ujung lainnya dari gantungan tali di luar area kerja sehingga mesin yang jatuh dapat ditahan dengan aman.
8. Pasang gantungan tali sehingga mesin akan menjauhi operator jika mesin terjatuh. Mesin yang terjatuh akan mengayun pada gantungan tali, dan dapat menyebabkan cedera atau hilangnya keseimbangan.
9. Jangan gunakan di dekat komponen yang bergerak atau mesin yang berjalan. Kelalaian dalam melakukannya dapat mengakibatkan tabrakan atau bahaya tersangkut.
10. Jangan membawa mesin dengan perangkat tambahan atau gantungan tali.
11. Pindahkan mesin di antara tangan hanya saat Anda memiliki keseimbangan yang baik.
12. Jangan pasang gantungan tali ke mesin dengan cara yang dapat menghalangi pelindung, switch, atau pengunci untuk beroperasi dengan baik.
13. Jangan sampai tersangkut di dalam gantungan tali.
14. Jauhkan gantungan tali dari area pemotongan mesin.
15. Gunakan carabiner tipe gate dengan pengunci dan multi-tindakan. Jangan gunakan carabiner dengan klip pegas dan tindakan tunggal.
16. Apabila terjatuh, mesin harus ditandai dan disingkirkan dari layanan, dan harus diperiksa oleh Makita Factory atau Pusat Layanan Resmi.

# PERAWATAN

**⚠️ PERHATIAN:** Selalu pastikan bahwa mesin dimatikan dan kartrid baterai dilepas sebelum melakukan pemeriksaan atau perawatan.

**PEMBERITAHUAN:** Jangan sekali-kali menggunakan bensin, tiner, alkohol, atau bahan sejenisnya. Penggunaan bahan demikian dapat menyebabkan perubahan warna, perubahan bentuk atau timbulnya retakan.

Untuk menjaga KEAMANAN dan KEANDALAN mesin, perbaikan, perawatan atau penyetelan lainnya harus dilakukan oleh Pusat Layanan Resmi atau Pabrik Makita; selalu gunakan suku cadang pengganti buatan Makita.

# AKSESORI PILIHAN

**⚠️ PERHATIAN:** Dianjurkan untuk menggunakan aksesori atau perangkat tambahan ini dengan mesin Makita Anda yang ditentukan dalam petunjuk ini. Penggunaan aksesori atau perangkat tambahan lain bisa menyebabkan risiko cedera pada manusia. Hanya gunakan aksesori atau perangkat tambahan sesuai dengan peruntukannya.

Jika Anda memerlukan bantuan lebih rinci berkenaan dengan aksesori ini, tanyakan pada Pusat Layanan Makita terdekat.

- Mata bor
- Gagang sisi
- Baterai dan pengisi daya asli buatan Makita

**CATATAN:** Beberapa item dalam daftar tersebut mungkin sudah termasuk dalam paket mesin sebagai aksesori standar. Hal tersebut dapat berbeda dari satu negara ke negara lainnya.

## SPEKIFIKASI

<b>Model:</b>		<b>DA001G</b>	
Kelajuan gear		Tinggi	Rendah
Kapasiti penggerudian (Diameter)	Keluli	13 mm	
	Kayu	Bit gerimit: 50 mm Bit suapan kendiri: 65 mm Gergaji lubang: 105 mm	Bit gerimit: 50 mm Bit suapan kendiri: 118 mm Gergaji lubang: 159 mm
Kelajuan tanpa beban		0 - 1,500 min <sup>-1</sup>	0 - 400 min <sup>-1</sup>
Panjang keseluruhan (dengan kartrij bateri BL4040) *Dengan pemegang hadapan dipanjangkan		545 mm * 614 mm	
Voltan terkadar		D.C. 36 V - 40 V maks	
Berat bersih		5.6 - 6.2 kg	

- Disebabkan program penyelidikan dan pembangunan kami yang berterusan, spesifikasi yang terkandung di dalam ini adalah tertakluk kepada perubahan tanpa notis.
- Spesifikasi mungkin berbeza mengikut negara.
- Berat mungkin berbeza bergantung kepada pemasangan, termasuk kartrij bateri. Kombinasi paling ringan dan paling berat, mengikut Prosedur EPTA 01/2014, ditunjukkan di dalam jadual.

### Kartrij bateri dan pengecas yang boleh digunakan

Kartrij bateri	BL4020 / BL4025* / BL4040* / BL4050F* * : Bateri yang disyorkan
Pengecas	DC40RA / DC40RB / DC40RC

- Sesetengah kartrij bateri dan pengecas yang disenaraikan di atas mungkin tidak tersedia bergantung pada kawasan kediaman anda.

**⚠️ AMARAN:** Gunakan hanya kartrij bateri dan pengecas yang disenaraikan di atas. Penggunaan mana-mana kartrij bateri dan pengecas yang lain mungkin menyebabkan kecederaan dan/atau kebakaran.

### Simbol

Berikut menunjukkan simbol-simbol yang boleh digunakan untuk alat ini. Pastikan anda memahami maksudnya sebelum menggunakan.



Baca manual arahan.



Hanya untuk negara-negara EU  
Jangan lupuskan peralatan elektrik atau pek bateri bersama-sama bahan sisa rumah!  
Dalam mematuhi Arahan-Arahan Eropah mengenai Sisa Peralatan Elektrik dan Elektronik dan Bateri dan Akumulator dan Sisa Bateri dan Akumulator serta pelaksanaan mereka mengikut undang-undang negara, peralatan elektrik dan bateri dan pek-pek bateri yang telah mencapai akhir hayatnya mesti dikumpul secara berasingan dan dikembalikan ke kemudahan kitar semula yang bersesuaian dengan alam sekitar.

### Tujuan penggunaan

Alat ini bertujuan untuk menggerudi dalam kayu, logam dan plastik.

## AMARAN KESELAMATAN

### Amaran keselamatan umum alat kuasa

**⚠️ AMARAN:** Baca semua amaran keselamatan, arahan, ilustrasi dan spesifikasi yang disediakan dengan alat kuasa ini. Kegagalan mengikut amaran dan arahan boleh menyebabkan kejutan elektrik, kebakaran dan/atau kecederaan serius.

### Simpan semua amaran dan arahan untuk rujukan masa depan.

Istilah "alat kuasa" dalam amaran merujuk kepada alat kuasa yang menggunakan tenaga elektrik (kabel) atau alat kuasa yang menggunakan bateri (tanpa kord).

#### Keselamatan kawasan kerja

1. **Pastikan kawasan kerja bersih dan terang.** Kawasan berselerak atau gelap mengundang kemalangan.

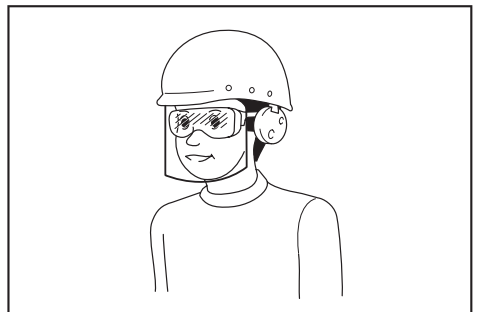
2. **Jangan kendalikan alat kuasa dalam keadaan yang mudah meletup, seperti dalam kehadiran cecair, gas atau habuk yang mudah terbakar.** Alat kuasa menghasilkan percikan api yang boleh menyalakan debu atau wasap.
3. **Jauhkan kanak-kanak dan orang ramai semasa mengendalikan alat kuasa.** Gangguan boleh menyebabkan anda hilang kawalan.
3. **Elakkan permulaan yang tidak disengajakan.** Pastikan suis ditutup sebelum menyambungkan kepada sumber kuasa dan/atau pek bateri, semasa mengangkat atau membawa alat. Membawa alat kuasa dengan jari anda pada suis atau menentagakan alat kuasa dengan suis pada kedudukan hidup mengundang kemalangan.
4. **Alihkan sebarang kunci atau sepana pelaras sebelum menghidupkan alat kuasa.** Sepana atau kunci yang ditinggalkan pada bahagian berputar alat kuasa boleh menyebabkan kecederaan diri.

#### Keselamatan elektrik

1. **Palam alat kuasa mesti sepadan dengan soket. Jangan ubah suai palam dalam apa cara sekalipun. Jangan gunakan sebarang palam penyesuai dengan alat kuasa terbumi.** Palam yang tidak diubah suai dan soket yang sepadan akan mengurangkan risiko kejutan elektrik.
2. **Elakkan sentuhan badan dengan permukaan terbumi, seperti paip, radiator, dapur dan peti sejuk.** Terdapat peningkatan risiko kejutan elektrik jika elektrik terbumi terkena badan anda.
3. **Jangan biarkan alat kuasa terkena hujan atau basah.** Air yang memasuki alat kuasa akan meningkatkan risiko kejutan elektrik.
4. **Jangan salah gunakan kord. Jangan gunakan kord untuk membawa, menarik atau mencabut palam alat kuasa. Jauhkan kord dari haba, minyak, bucu tajam atau bahagian yang bergerak.** Kord yang rosak atau tersimpul meningkatkan risiko kejutan elektrik.
5. **Semasa mengendalikan alat kuasa di luar, gunakan kord sambungan yang bersesuaian untuk kegunaan luar.** Penggunaan kord yang sesuai untuk kegunaan luar mengurangkan risiko kejutan elektrik.
6. **Sekiranya pengendalian alat kuasa di lokasi lembap tidak dapat dielakkan, gunakan bekalan peranti arus sisa (RCD) yang dilindungi.** Penggunaan RCD mengurangkan risiko kejutan elektrik.
7. **Alat kuasa boleh menghasilkan medan elektromagnetik (EMF) yang tidak berbahaya kepada pengguna.** Walau bagaimanapun, pengguna perentak jantung atau peranti perubatan yang serupa harus menghubungi pembuat peranti mereka dan/atau doktor untuk nasihat sebelum mengendalikan alat kuasa ini.
5. **Jangan lampau jangka. Jaga pijakan dan keseimbangan yang betul pada setiap masa.** Ini membolehkan kawalan alat kuasa yang lebih baik dalam situasi yang tidak dijangka.
6. **Berpakaian dengan betul. Jangan pakai pakaian yang longgar atau barang kemas. Jauhkan rambut dan pakaian anda dari bahagian yang bergerak.** Pakaian longgar, barang kemas atau rambut yang panjang boleh terperangkap dalam bahagian yang bergerak.
7. **Jika peranti disediakan untuk sambungan kemudahan pengekstrakan dan pengumpulan habuk, pastikan ia disambung dan digunakan dengan betul.** Penggunaan pengumpulan habuk boleh mengurangkan bahaya berkaitan habuk.
8. **Jangan biarkan kebiasaan daripada kekerapan penggunaan alat membuat anda berpuas hati dan mengabaikan prinsip keselamatan alat.** Kecuaian boleh menyebabkan kecederaan serius dalam sekelip mata.
9. **Sentiasa pakai gogal pelindung untuk melindungi mata anda daripada kecederaan apabila menggunakan alat kuasa. Gogal mestilah mematuhi ANSI Z87.1 di AS, EN 166 di Eropah, atau AS/NZS 1336 di Australia/New Zealand. Di Australia/New Zealand, undang-undang mengarahkan untuk memakai pelindung muka bagi melindungi muka anda, juga.**

#### Keselamatan diri

1. **Sentiasa berwaspada, perhatikan apa yang anda lakukan dan guna akal budi semasa mengendalikan alat kuasa. Jangan gunakan alat kuasa semasa anda letih atau di bawah pengaruh dadah, alkohol atau ubat.** Kelekaan seketika semasa mengendalikan alat kuasa boleh menyebabkan kecederaan diri yang serius.
2. **Gunakan peralatan pelindung diri. Sentiasa pakai pelindung mata.** Peralatan pelindung seperti topeng debu, kasut keselamatan tak mudah tergelincir, topi keselamatan atau pelindung pendengaran yang digunakan untuk keadaan yang sesuai akan mengurangkan kecederaan diri.



**Menjadi tanggungjawab majikan untuk menguatkuasa penggunaan peralatan perlindungan keselamatan yang bersesuaian oleh pengendali alat dan oleh orang lain dalam kawasan bekerja semasa.**

### Penggunaan dan penjagaan alat kuasa

1. **Jangan gunakan alat kuasa dengan kasar. Gunakan alat kuasa yang betul untuk penggunaan anda.** Alat kuasa yang betul akan melakukan tugas dengan lebih baik dan lebih selamat pada kadar mana ia direka cipta.
2. **Jangan gunakan alat kuasa jika suis tidak berfungsi untuk menghidupkan dan mematikannya.** Alat kuasa yang tidak dapat dikawal dengan suis adalah berbahaya dan mesti dibaiki.
3. **Cabut palam dari sumber kuasa dan/atau keluarkan pek bateri, jika boleh ditanggalkan, dari alat kuasa sebelum membuat sebarang pelarasan, menukar aksesori, atau menyimpan alat kuasa.** Langkah-langkah keselamatan pencegahan sedemikian mengurangkan risiko memulakan alat kuasa secara tidak sengaja.
4. **Simpan alat kuasa yang tidak digunakan jauh dari jangkauan kanak-kanak dan jangan biarkan orang yang tidak biasa dengan alat kuasa atau arahan ini untuk mengendalikan alat kuasa.** Alat kuasa adalah berbahaya di tangan pengguna yang tidak terlatih.
5. **Menyelenggara alat kuasa dan aksesori. Periksa salah jajaran atau ikatan pada bahagian yang bergerak, bahagian yang pecah dan apa-apa keadaan lain yang boleh menjejaskan operasi alat kuasa. Jika rosak,baiki alat kuasa sebelum digunakan.** Kebanyakan kemalangan adalah disebabkan oleh alat kuasa yang tidak dijaga dengan baik.
6. **Pastikan alat pemotong tajam dan bersih.** Alat pemotong yang dijaga dengan betul dengan hujung pemotong yang tajam mempunyai kemungkinan yang rendah untuk terikat dan lebih mudah dikendalikan.
7. **Gunakan alat kuasa, aksesori dan alat bit dan sebagainya mengikut arahan ini dengan mengambil kira keadaan kerja dan kerja yang perlu dilakukan.** Penggunaan alat kuasa untuk operasi yang berbeza dari yang dimaksudkan boleh menyebabkan keadaan berbahaya.
8. **Pastikan pemegang dan permukaan pegangan kering, bersih dan bebas dari minyak dan gris.** Pemegang dan permukaan pegangan yang licin tidak membolehkan pengendalian dan kawalan selamat bagi alat dalam situasi yang tidak dijangka.
9. **Apabila menggunakan alat, jangan pakai sarung tangan kerja kain yang mungkin boleh kusut.** Kekusutan sarung tangan kerja kain pada bahagian yang bergerak boleh menyebabkan kecederaan diri.

### Penggunaan dan penjagaan alat bateri

1. **Cas semula dengan pengecas yang ditentukan oleh pengeluar sahaja.** Pengecas yang sesuai untuk satu jenis pek bateri mungkin menimbulkan risiko kebakaran apabila digunakan dengan pek bateri lain.
2. **Gunakan alat kuasa dengan pek bateri yang ditentukan secara khusus sahaja.** Penggunaan mana-mana pek bateri lain mungkin menimbulkan risiko kecederaan dan kebakaran.

3. **Apabila pek bateri tidak digunakan, jauhkannya daripada objek besi lain, seperti klip kertas, duit syiling, paku, skru atau objek besi kecil lain, yang boleh membuat sambungan dari satu terminal ke yang lain.** Memintas terminal bateri bersama-sama mungkin menyebabkan lecuran atau kebakaran.
4. **Di bawah keadaan kasar, cecair mungkin dikeluarkan daripada bateri; elakkan sentuhan. Jika tersentuh secara tidak sengaja, siram dengan air. Jika cecair terkena mata, dapatkan bantuan perubatan di samping siraman air.** Cecair yang dikeluarkan dari bateri mungkin menyebabkan kegatalan atau lecuran.
5. **Jangan gunakan pek bateri atau alat yang rosak atau diubah suai.** Bateri yang rosak atau diubah suai mungkin menunjukkan perilaku yang tidak dijangka mungkin menyebabkan kebakaran, letupan atau risiko kecederaan.
6. **Jangan dedahkan pek bateri atau alat kepada api atau suhu yang berlebihan.** Pendedahan kepada api atau suhu melebihi 130 °C mungkin menyebabkan letupan.
7. **Ikut semua arahan pengecasan dan jangan cas pek bateri atau alat di luar julat suhu yang ditetapkan dalam arahan.** Mengecas dengan tidak betul atau pada suhu di luar julat yang dinyatakan mungkin merosakkan bateri dan meningkatkan risiko kebakaran.

### Servis

1. **Pastikan alat kuasa anda diservis oleh orang yang berkelayakan dengan hanya menggunakan alat ganti yang sama.** Ini akan memastikan keselamatan alat kuasa dapat dikekalkan.
2. **Jangan servis pek bateri yang telah rosak.** Servis pek bateri hanya boleh dilakukan oleh pengeluar atau penyedia servis yang sah.
3. **Ikut arahan untuk melincir dan menukar aksesori.**

### Amanan keselamatan gerudi tanpa kord

#### Arahan keselamatan bagi semua operasi

1. **Gunakan pemegang tambahan.** Hilang kawalan boleh menyebabkan kecederaan diri.
2. **Genggam alat dengan betul sebelum digunakan.** Alat ini menghasilkan tork output yang tinggi dan tanpa memegang alat dengan betul semasa operasi, kehilangan kawalan mungkin berlaku yang menyebabkan kecederaan diri.
3. **Pegang alat kuasa dengan permukaan mencengkam tertebat apabila melakukan operasi yang aksesori pemotong boleh tersentuh wayar tersembunyi.** Aksesori pemotong yang bersentuh dengan wayar "hidup" boleh menyebabkan bahagian logam terdedah alat kuasa "hidup" dan boleh memberi kejutan elektrik kepada pengendali.
4. **Sentiasa pastikan anda mempunyai tapak berpajah yang kukuh.** Pastikan tiada siapa di bawah apabila menggunakan alat di lokasi yang tinggi.



5. Pegang alat dengan kukuh.
6. Jauhkan tangan daripada bahagian berpusing.
7. Jangan tinggalkan alat yang sedang beroperasi. Kendalikan alat hanya apabila dipegang.
8. Jangan sentuh mata gerudi atau bahan kerja dengan serta-merta selepas operasi; ia mungkin panas dan boleh melecurkan kulit anda.
9. Beberapa bahan mengandungi bahan kimia yang mungkin toksik. Sila berhati-hati untuk mencegah penyedutan habuk dan sentuhan kulit. Ikut data keselamatan pembekal bahan.
10. Jika mata gerudi tidak boleh dilonggarkan walaupun anda buka rahang, gunakan pelayar untuk menariknya. Dalam kes seperti itu, tarik keluar mata gerudi menggunakan tangan mungkin menyebabkan kecederaan oleh sisi tajamnya.
11. Jika ada sesuatu yang tidak kena dengan alat seperti bunyi yang tidak normal, hentikan operasi serta merta dan tanya Pusat Servis Makita tempatan anda untuk pembaikan.
12. Sebelum beroperasi, pastikan tiada objek tersembunyi seperti paip elektrik, paip air atau paip gas di dalam tanah. Jika tidak, alat boleh menyentuhnya dan menyebabkan kejutan elektrik, kebocoran elektrik atau kebocoran gas.

#### Arahan keselamatan apabila menggunakan mata gerudi panjang

1. Jangan kendalikan pada kelajuan yang lebih tinggi daripada kadar kelajuan maksimum mata gerudi. Pada kelajuan yang lebih tinggi, mata gerudi mungkin bengkok jika dibenarkan untuk berputar dengan bebas tanpa bersentuhan dengan bahan kerja menyebabkan kecederaan peribadi.
2. Sentiasa mula menggerudi pada kelajuan rendah dan dengan hujung mata gerudi bersentuhan dengan bahan kerja. Pada kelajuan yang lebih tinggi, mata gerudi mungkin bengkok jika dibenarkan untuk berputar dengan bebas tanpa bersentuhan dengan bahan kerja menyebabkan kecederaan peribadi.
3. Gunakan tekanan hanya pada garisan langsung dengan mata gerudi dan jangan gunakan tekanan berlebihan. Mata gerudi boleh bengkok menyebabkan kerosakan atau hilang kawalan, menyebabkan kecederaan diri.

### SIMPAN ARAHAN INI.

**⚠️ AMARAN:** JANGAN biarkan keselesaan atau kebiasaan dengan produk (daripada penggunaan berulang) menggantikan pematuhan ketat terhadap peraturan keselamatan untuk produk yang ditetapkan. SALAH GUNA atau kegagalan mematuhi peraturan-peraturan keselamatan yang dinyatakan dalam manual arahan ini boleh menyebabkan kecederaan diri yang serius.

### Arahan keselamatan penting untuk kartrij bateri

1. Sebelum menggunakan kartrij bateri, baca semua arahan dan tanda amaran pada (1) pengcas bateri, (2) bateri, dan (3) produk menggunakan bateri.
2. Jangan buka atau cabut kartrij bateri. Ia boleh mengakibatkan kebakaran, haba berlebihan, atau letupan.
3. Jika masa operasi menjadi sangat pendek, berhenti operasi serta merta. Ia mungkin menyebabkan risiko pemanasan lampau, melecur bahkan letupan.
4. Jika elektrolit masuk ke dalam mata anda, bilas mata dengan air jernih dan dapatkan rawatan perubatan serta merta. Ia mungkin menyebabkan kehilangan penglihatan.
5. Jangan pintaskan kartrij bateri:
  - (1) Jangan sentuh terminal dengan bahan berkonduksi.
  - (2) Elakkan menyimpan kartrij bateri dalam bekas bersama-sama objek besi lain seperti paku, duit syiling, dll.
  - (3) Jangan dedahkan kartrij bateri kepada air atau hujan.
 Pintasan bateri boleh menyebabkan aliran kuasa yang besar, pemanasan lampau, melecur dan juga kerosakan.
6. Jangan simpan dan gunakan alat dan kartrij bateri di lokasi yang suhunya mungkin mencapai atau melebihi 50 °C (122 °F).
7. Jangan bakar kartrij bateri walaupun jika ia rosak teruk atau haus sepenuhnya. Kartrij bateri boleh meletup dalam kebakaran.
8. Jangan paku, potong, pecahkan, buang, jatuhkan kartrij bateri, atau tekan objek keras pada kartrij bateri. Perbuatan sedemikian boleh mengakibatkan kebakaran, haba berlebihan, atau letupan.
9. Jangan gunakan bateri yang rosak.
10. Bateri litium ion yang terkandung adalah tertakluk kepada keperluan Perundangan Barangan Berbahaya. Bagi pengangkutan komersil cth. oleh pihak ketiga, ejen penghantar, keperluan khas pada pembungkusan dan pelabelan mestilah diperhatikan. Bagi persediaan item yang dihantar, berunding dengan pakar bahan berbahaya adalah diperlukan. Sila juga perhatikan sebolehnya peraturan kebangsaan yang lebih terperinci. Lekatkan atau balut bahagian terbuka dan pek bateri supaya ia tidak bergerak dalam pembungkusan.
11. Apabila melupuskan kartrij bateri, keluarkan ia daripada alat dan lupuskan ia di tempat selamat. Ikut peraturan tempatan anda mengenai pelupusan bateri.
12. Gunakan bateri hanya dengan produk yang ditentukan oleh Makita. Memasang bateri kepada produk yang tidak patuh mungkin menyebabkan kebakaran, pemanasan lampau, atau kebocoran elektrolit.



13. Jika alat tidak digunakan untuk tempoh masa yang lama, bateri mesti dikeluarkan daripada alat.
14. Semasa dan selepas penggunaan, kartrij bateri mungkin ada haba yang boleh menyebabkan terbakar atau suhu rendah terbakar. Beri perhatian kepada pengendalian kartrij bateri yang panas.
15. Jangan sentuh terminal alat itu selepas digunakan kerana ia mungkin panas menyebabkan terbakar.
16. Jangan biarkan cip, habuk, atau tanah terperangkap ke dalam terminal, lubang, dan alur kartrij bateri. Ia mungkin menyebabkan prestasi atau pecahan yang buruk dari alat atau kartrij bateri.
17. Melainkan alat ini menyokong penggunaan yang hampir dari talian kuasa elektrik voltan tinggi, jangan gunakan kartrij bateri berhampiran talian kuasa elektrik voltan tinggi. Ia mungkin menyebabkan kerosakan atau pecah pada alat atau kartrij bateri.
18. Jauhkan bateri daripada kanak-kanak.

## SIMPAN ARAHAN INI.

**⚠PERHATIAN:** Hanya gunakan bateri asli Makita. Penggunaan bateri tidak asli Makita, atau bateri yang telah diubah suai, mungkin menyebabkan bateri meletup menyebabkan kebakaran, kecederaan diri dan kerosakan. Ia juga membatalkan jaminan Makita untuk alat Makita dan pengecas.

## Tip untuk mengekalkan hayat bateri maksimum

1. Cas kartrij bateri sebelum ternyahcas sepenuhnya. Sentiasa hentikan operasi alat dan cas kartrij bateri apabila anda menyedari kurang kuasa alat.
2. Jangan cas semula kartrij bateri yang dicas sepenuhnya. Terlebih cas memendekkan hayat servis bateri.
3. Cas kartrij bateri dengan suhu bilik pada 10 °C - 40 °C (50 °F - 104 °F). Biarkan kartrij bateri yang panas menyejuk sebelum mengcasnya.
4. Apabila tidak menggunakan kartrij bateri, tanggalkannya dari alat atau pengecas.
5. Cas kartrij bateri jika anda tidak gunakannya untuk tempoh yang lama (lebih daripada enam bulan).

## KETERANGAN FUNGSI

**⚠PERHATIAN:** Sentiasa pastikan alat dimatikan dan kartrij bateri dikeluarkan sebelum menyelaras atau menyemak fungsi pada alat.

## Memasang atau mengeluarkan kartrij bateri

**⚠PERHATIAN:** Sentiasa matikan alat sebelum memasang atau mengeluarkan kartrij bateri.

**⚠PERHATIAN:** Pegang alat dan kartrij bateri dengan kukuh apabila memasang atau mengeluarkan kartrij bateri. Gagal untuk memegang alat dan kartrij bateri dengan kukuh mungkin menyebabkan mereka terlepas daripada tangan anda dan mengakibatkan kerosakan kepada alat dan kartrij bateri dan kecederaan peribadi.

► **Rajah1:** 1. Penunjuk merah 2. Butang 3. Kartrij bateri

Untuk mengeluarkan kartrij bateri, luncurkan ia daripada alat apabila meluncurkan butang di hadapan kartrij.

Untuk memasang kartrij bateri, selaraskan lidah pada kartrij bateri dengan alur pada perumahan dan gelincirkan ia ke tempatnya. Masukkan ia sepenuhnya sehingga ia terkunci di tempatnya dengan klik kecil. Jika anda boleh melihat penunjuk merah seperti yang ditunjukkan dalam rajah, ia tidak dikunci sepenuhnya.

**⚠PERHATIAN:** Sentiasa pasang kartrij bateri sepenuhnya sehingga penunjuk merah tidak boleh dilihat. Jika tidak, ia mungkin jatuh tanpa sengaja daripada alat, menyebabkan kecederaan kepada anda atau seseorang di sekeliling anda.

**⚠PERHATIAN:** Jangan pasang kartrij bateri secara paksa. Jika kartrij tidak meluncur dengan mudah, ia tidak dimasukkan dengan betul.

## Menunjukkan kapasiti bateri yang tinggal

Tekan butang semak pada kartrij bateri untuk menunjukkan kapasiti bateri yang tinggal. Lampu penunjuk menyala untuk beberapa saat.

► **Rajah2:** 1. Lampu penunjuk 2. Butang semak

Lampu penunjuk			Kapasiti yang tinggal
Dinyalakan	Mati	Berkelip	
■	□	▧	75% hingga 100%
■ ■ ■ ■	□		50% hingga 75%
■ ■ □ □	□ □		25% hingga 50%
■ □ □ □	□ □ □ □		0% hingga 25%
▧ □ □ □	□ □ □ □		Cas bateri.
■ ■ □ □	□ □ ■ ■		Bateri mungkin telah rosak.

**NOTA:** Bergantung kepada keadaan penggunaan dan suhu persekitaran, penunjuk mungkin berbeza sedikit daripada kapasiti sebenar.

**NOTA:** Lampu penunjuk (kiri jauh) pertama akan berkedip apabila sistem perlindungan bateri berfungsi.

## Sistem perlindungan alat / bateri

Alat dilengkapi dengan sistem perlindungan alat/bateri. Sistem ini memotong kuasa kepada motor secara automatik untuk memanjangkan hayat alat dan bateri. Alat akan berhenti secara automatik ketika operasi jika alat atau bateri diletakkan di bawah salah satu syarat yang berikut:

## Perlindungan lebih beban

Apabila alat/bateri dikendalikan dengan cara yang menyebabkannya menarik arus tinggi yang luar biasa, alat secara automatik berhenti. Dalam situasi ini, matikan alat dan hentikan penggunaan yang menyebabkan alat menjadi terlebih beban. Kemudian hidupkan alat untuk mula semula.

## Perlindungan pemanasan lampau

Apabila alat/bateri terlampau panas, alat berhenti secara automatik dan lampu akan berkelip. Dalam situasi ini, biarkan alat sejuk sebelum menghidupkan semula alat.

## Perlindungan lebih nyahcas

Apabila kapasiti bateri tidak mencukupi, alat akan berhenti secara automatik. Dalam kes ini, keluarkan bateri daripada alat dan cas bateri.

## Suis kuasa utama

**AMARAN:** Sentiasa matikan suis kuasa utama apabila tidak digunakan.

Untuk berdiri di sebelah alat, tekan butang kuasa utama sehingga lampu kuasa utama menyala. Untuk mematikan, tekan butang kuasa utama sekali lagi.

► **Rajah3:** 1. Butang kuasa utama

**NOTA:** Alat ini mempunyai fungsi padam secara automatik. Untuk mengelakkan permulaan yang tidak disengajakan, suis kuasa utama akan dimatikan secara automatik apabila pemicu suis tidak ditarik untuk tempoh tertentu selepas suis kuasa utama dihidupkan.

## Tindakan suis

**PERHATIAN:** Sebelum memasang kartrij bateri ke dalam alat, sentiasa periksa untuk melihat pemicu suis bergerak dengan betul dan kembali ke posisi "OFF" apabila dilepaskan.

► **Rajah4:** 1. Pemicu suis

Untuk memulakan alat, tarik pemicu suis dengan menghidupkan suis kuasa utama. Kelajuan alat ditingkatkan dengan menambah tekanan pada pemicu suis. Lepaskan pemicu suis untuk berhenti.

**NOTA:** Alat akan berhenti secara automatik jika anda menarik pemicu suis selama kira-kira 6 minit.

## Menyalakan lampu hadapan

**PERHATIAN:** Jangan lihat ke dalam cahaya atau lihat sumber cahaya secara langsung.

► **Rajah5:** 1. Lampu

Tarik pemicu suis untuk menyalakan lampu. Lampu tetap menyala apabila pemicu suis ditarik. Lampu padam lebih kurang 10 saat selepas melepaskan pemicu suis.

**NOTA:** Apabila alat terlampau panas, alat berhenti secara automatik dan lampu mula berkelip. Dalam kes ini, lepaskan pemicu suis. Lampu mati dalam 5 minit.

**NOTA:** Gunakan kain kering untuk mengelap kotoran daripada lensa lampu. Berhati-hati agar tidak mencalarakan lensa lampu, atau ia mungkin mengurangkan pencahayaan.

## Tindakan suis pembalik

**PERHATIAN:** Sentiasa periksa arah putaran sebelum operasi.

**PERHATIAN:** Gunakan suis pembalik hanya selepas alat berhenti sepenuhnya. Menukar arah putaran sebelum alat berhenti boleh merosakkan alat.

**PERHATIAN:** Apabila tidak mengendalikan alat, sentiasa tetapkan tuil suis pembalik kepada kedudukan neutral.

Alat ini mempunyai suis pembalik untuk mengubah arah putaran. Nyahtekan tuil suis pembalik dari sisi A untuk putaran arah jam atau dari sisi B untuk putaran arah lawan jam.

Apabila tuil suis pembalik berada dalam kedudukan neutral, tuil suis tidak boleh ditarik.

► **Rajah6:** 1. Tuil suis pembalik

## Fungsi perubahan kelajuan automatik




Alat ini mempunyai “mod kelajuan tinggi” dan “mod tork tinggi”.

Alat ini secara automatik mengubah mod operasi bergantung kepada beban kerja. Apabila beban kerja adalah rendah, alat akan berjalan dalam “mod kelajuan tinggi” untuk operasi yang lebih cepat. Apabila beban kerja adalah tinggi, alat akan berjalan dalam “mod tork tinggi” untuk operasi yang lebih berkuasa.

► **Rajah7:** 1. Penunjuk mod

Penunjuk mod menyala hijau apabila alat itu berjalan dalam “mod tork tinggi”.

Jika alat ini dikendalikan dengan beban berlebihan, penunjuk mod akan berkelip warna hijau. Penunjuk mod berhenti berkelip dan kemudian menyala atau mati jika anda mengurangkan beban pada alat itu.

Status penunjuk mod			Mod operasi
<input checked="" type="radio"/> Hidup	<input type="radio"/> Mati	<input checked="" type="radio"/> Berkelip	
			Mod berkelajuan tinggi
			Mod tork tinggi
			Amaran beban lebih

## Perubahan kelajuan

**NOTIS:** Menggunakan tombol perubahan kelajuan hanya selepas alat itu selesai berhenti. Menukar alat putaran sebelum alat berhenti boleh merosakkan alat.

**NOTIS:** Sentiasa tetapkan tombol perubahan kelajuan pada kedudukan yang betul. Jika anda kendalikan alat dengan tombol perubahan kelajuan diletakkan separa di antara kedudukan 1 dan kedudukan 2, alat itu mungkin rosak.

Dua julat kelajuan boleh prapilih dengan tombol perubahan kelajuan.

Untuk mengubah kelajuan, tekan butang kunci dan putar tombol perubahan kelajuan sehingga penunjuk menunjuk pada kedudukan 1 untuk kelajuan rendah atau kedudukan 2 untuk kelajuan tinggi.

► **Rajah8:** 1. Butang kunci 2. Penunjuk 3. Tombol perubahan kelajuan

## Pengehad tork

Pengehad tork akan bergerak apabila tahap tork tertentu dicapai pada tetapan kelajuan rendah (kedudukan 1). Motor akan dilepaskan dari aci keluaran. Apabila ini berlaku, bit alat akan berhenti berpusing.

Untuk memulakan semula alat, keluarkan bit alat daripada bahan kerja dan kemudian tarik pemicu suis sekali lagi.

## Fungsi elektronik

### Brek elektrik

Alat ini dilengkapi dengan brek elektrik. Jika alat ini secara konsisten gagal untuk berhenti berfungsi dengan cepat selepas pemicu suis dilepaskan, bawa alat ke pusat servis kami.

### Ciri mula ringan

Fungsi ini membolehkan permulaan alat yang lancar dengan mengehadkan tork permulaan.

## PEMASANGAN

**PERHATIAN:** Sentiasa pastikan alat dimatikan dan kartrij bateri dikeluarkan sebelum menjalankan sebarang kerja pada alat.

### Memasang genggaman sisi (pemegang tambahan)

**PERHATIAN:** Sentiasa pastikan genggaman sisi dipasang dengan kukuh sebelum operasi.

Skrukan genggaman sisi pada alat dengan kukuh. Genggaman sisi boleh dipasang pada mana-mana sisi alat yang sesuai.

► **Rajah9:** 1. Genggaman sisi

### Pemegang hadapan

**PERHATIAN:** Jangan pasang pemegang hadapan melebihi had anak panah seperti yang digambarkan. Berhati-hati agar tangan anda tidak terperangkap dalam genggaman. Jauhkan tangan daripada cuk gerudi. Bahagian-bahagian tersebut boleh mengakibatkan kemalangan serius.

**PERHATIAN:** Sentiasa pastikan yang bolt heksagon (kedua-dua belah) pemegang hadapan diketatkan dengan kukuh.

Pemegang hadapan boleh dipasang pada mana-mana kedudukan dalam 0° - 112.5° seperti yang digambarkan.

► **Rajah10:** 1. Pemegang hadapan

Untuk mengubah kedudukan, longgarkan bolt heksagon (kedua-dua belah) dengan kunci allen dan putarkan pemegang hadapan ke kedudukan yang dikehendaki. Kemudian, ketatkan bolt heksagon dengan kukuh.

► **Rajah11:** 1. Pemegang hadapan 2. Kunci allen

## Memasang atau menanggalkan bit gerudi

Untuk memasang bit gerudi, letakkannya di dalam cuk setakat ia boleh dimasukkan. Ketatkan cuk menggunakan tangan. Letakkan kekunci cuk dalam setiap tiga lubang dan ketatkan mengikut arah jam. Pastikan untuk mengetatkan kesemua tiga lubang cuk sama rata.

Untuk mengeluarkan bit gerudi, putar kekunci cuk mengikut arah lawan jam pada hanya satu lubang, kemudian longgarkan cuk dengan tangan.

► **Rajah12:** 1. Kekunci cuk

Setelah digunakan, kembalikan kekunci cuk ke pemegang kunci pada alat seperti yang digambarkan.

► **Rajah13:** 1. Pemegang kunci

## Cangkuk

⚠ **PERHATIAN:** Sentiasa keluarkan bateri apabila menggantung alat dengan cangkuk.

⚠ **PERHATIAN:** Jangan sangkut alat pada lokasi yang tinggi atau pada permukaan yang berpotensi tidak stabil.

Cangkuk memudahkan untuk menggantung sementara alat.

Untuk menggunakan cangkuk, hanya angkat cangkuk sehingga ia berdetap ke dalam kedudukan terbuka.

Apabila tidak digunakan, sentiasa rendahkan cangkuk sehingga berdetap ke dalam kedudukan tertutup.

► **Rajah14:** 1. Cangkuk

► **Rajah15**

## Menyambungkan lanyard (tali penambat) ke cangkuk

⚠ **PERHATIAN:** Jangan gunakan cangkuk dan skru yang rosak. Sebelum digunakan, sentiasa periksa untuk mencari kerosakan, keretakan atau ubah bentuk, dan pastikan skru diketatkan.

⚠ **PERHATIAN:** Pastikan cangkuk dipasang dengan kukuh menggunakan skru.

⚠ **PERHATIAN:** Jangan pasang atau keluarkan sebarang aksesori semasa menggantung alat. Alat boleh terjatuh jika skru tidak diketatkan.

⚠ **PERHATIAN:** Sentiasa gunakan pengikat besi pengunci (jenis pelbagai tindakan dan get skru) dan pastikan anda memasang tali pengikat (tali penambat) ke bahagian gelung berganda cangkuk. Pemasangan yang tidak betul boleh menyebabkan alat terjatuh dari cangkuk dan mengakibatkan kecederaan diri.

Cangkuk juga digunakan untuk menyambungkan lanyard (tali penambat). Pastikan anda menyambungkan lanyard (tali penambat) ke bahagian gelung berganda cangkuk.

► **Rajah16:** 1. Bahagian gelung berganda cangkuk 2. Lanyard (tali penambat) 3. Pengikat besi pengunci (jenis pelbagai tindakan dan get skru)

## OPERASI

⚠ **PERHATIAN:** Sentiasa masukkan kartrij bateri sepenuhnya sehingga ia terkunci di tempatnya. Jika anda boleh melihat penunjuk merah, ia tidak dikunci sepenuhnya. Masukkan ia sepenuhnya sehingga penunjuk merah tidak boleh dilihat. Jika tidak, ia mungkin jatuh daripada alat, menyebabkan kecederaan kepada anda atau seseorang di sekeliling anda.

⚠ **PERHATIAN:** Apabila kelajuan sangat berkurangan, kurangkan beban atau hentikan alat untuk mengelakkan kerosakan alat.

⚠ **PERHATIAN:** Pegang alat dengan kukuh semasa mengendalikan alat.

## Memegang alat

⚠ **PERHATIAN:** Ini ialah alat kuasa. Tork tinggi dihasilkan dan penting untuk alat dipasang dengan kukuh dan dirembat dengan betul.

Genggam pemegang dengan satu tangan dan pemegang hadapan dengan tangan yang lain.

► **Rajah17:** 1. Pemegang hadapan 2. Pemegang

Semasa menggerudi lubang besar dengan bit suapan sendiri, dll., genggam sisi (pemegang tambahan) hendaklah digunakan sebagai rembatan untuk mengekalkan kawalan keselamatan alat.

Semasa tindakan menggerudi ke hadapan (arah jam), alat hendaklah dirembat untuk mengelakkan tindak balas arah lawan jam jika bit terkapat.

► **Rajah18:** 1. Tindak balas 2. Ke hadapan 3. Genggam sisi

Apabila membalikkan, rembat alat untuk mengelakkan tindak balas mengikut arah jam. Jika bit gerudi mesti dikeluarkan daripada sebahagian lubang gerudi, pastikan alat dirembat dengan betul sebelum membalikkan.

► **Rajah19:** 1. Tindak balas 2. Terbalik

## Operasi gerudi

### Menggerudi ke kayu

Apabila menggerudi kayu, hasil terbaik boleh didapati dengan gerudi kayu yang dilengkapi dengan skru panduan. Skru panduan menjadikan penggerudian lebih mudah dengan menarik mata gerudi ke dalam bahan kerja.

### Menggerudi ke besi

Untuk menghalang mata gerudi daripada tergelincir apabila memulakan lubang, buat lekukan dengan pukulan tengah dan ketuk pada titik untuk digerudi. Letakkan hujung bit gerudi di lekukan dan mula menggerudi.

Gunakan cecair pemotong apabila menggerudi besi. Pengecualian adalah besi dan tembaga yang mesti digerudi kering.

**⚠️PERHATIAN:** Menekan alat secara berlebihan tidak akan mempercepat penggerudian. Malah, tekanan yang berlebihan ini hanya akan merosakkan hujung bit gerudi anda, mengurangkan prestasi alat dan memendekkan tempoh hayat perkhidmatan alat.

**⚠️PERHATIAN:** Pegang alat dengan kukuh dan beri perhatian apabila bit gerudi mula memecahkan bahan kerja. Terdapat kekuatan besar yang dikenakan pada alat/bit gerudi pada masa lubang mengembang.

**⚠️PERHATIAN:** Bit gerudi yang tersangkut boleh dialih keluar hanya dengan menetapkan suis pembalik kepada putaran terbalik supaya ia dapat dialih keluar. Walau bagaimanapun, alat mungkin terkeluar secara tiba-tiba jika anda tidak memegangnya dengan kukuh.

**⚠️PERHATIAN:** Sentiasa selamatkan bahan kerja menggunakan peranti penekan atau peranti yang serupa.

**⚠️PERHATIAN:** Elakkan menggerudi bahan yang anda syak mempunyai paku tersorok atau benda lain yang boleh menyebabkan bit gerudi untuk terkapit atau pecah.

**⚠️PERHATIAN:** Jika alat dikendalikan secara berterusan sehingga kartrij bateri telah dinyahcas, biarkan alat berehat selama 15 minit sebelum meneruskan dengan bateri baharu.

8. Sambung tali supaya alat itu akan bergerak dari operator jika ia jatuh. Alat jatuh akan mengayunkan tali, yang boleh menyebabkan kecederaan atau hilang keseimbangan.
9. Jangan gunakan bahagian yang bergerak atau jentera yang sedang berjalan. Kegagalan berbuat demikian boleh menyebabkan hancur atau bahaya tersangkut.
10. Tidak membawa alat tersebut dengan peranti sambungan atau tali.
11. Hanya pindahkan alat antara tangan anda semasa anda seimbangkan dengan betul.
12. Jangan sambungkan alat pada alat itu dengan cara yang membuat pengawal, suis atau mengunci berfungsi dengan betul.
13. Mengelakkan tersangkut pada tali.
14. Jauhkan tali daripada kawasan pemotongan dan alat.
15. Menggunakan pelbagai tindakan dan jenis get skru tali keselamatan. Jangan gunakan carabineer klip spring tunggal.
16. Jika alat itu jatuh, ia mesti ditandakan dan dikeluarkan daripada perkhidmatan, dan harus diperiksa oleh Kilang Makita atau Pusat Servis yang Dibenarkan.

## Sambungan tali (tali penambat)

**⚠️**Amaran keselamatan khusus untuk digunakan pada tempat tinggi

Baca semua amaran keselamatan dan arahan.

Kegagalan untuk mematuhi amaran dan arahan berikut mungkin mengakibatkan kecederaan serius.

1. Sentiasa pastikan alat itu ditambatkan apabila bekerja "pada ketinggian". Panjang tali maksimum adalah 2 m (6.5 kaki). Ketinggian maksimum yang dibenarkan untuk tali (tali tambat) tidak boleh melebihi 2 m (6.5 kaki).
2. Gunakan hanya tali yang sesuai untuk jenis alat ini dan dinilai sekurang-kurangnya 8.0 kg (17.6 paun).
3. Jangan melabuhkan tali alat kepada mana-mana badan anda atau pada komponen yang dialih. Melabuhkan tali alat untuk struktur keras yang dapat menahan daya alat yang jatuh.
4. Pastikan tali dipasang dengan betul pada setiap hujung sebelum digunakan.
5. Periksa alat dan tali sebelum setiap penggunaan untuk kerosakan dan fungsi yang betul (termasuk kain dan jahitan). Jangan gunakan jika rosak atau tidak berfungsi dengan betul.
6. Jangan balut tali atau biarkan mereka bersambung dengan tepi yang tajam atau kasar.
7. Ketatkan hujung tali yang lain di luar kawasan kerja supaya alat jatuh dengan selamat.

## PENYELENGGARAAN

**⚠️PERHATIAN:** Sentiasa pastikan alat dimatikan dan kartrij bateri dikeluarkan sebelum cuba menjalankan pemeriksaan atau penyelenggaraan.

**NOTIS:** Jangan gunakan petrol, benzin, pencair, alkohol atau bahan yang serupa. Ia boleh menyebabkan perubahan warna, bentuk atau keretakan.

Untuk mengekalkan KESELAMATAN dan KEBOLEHPERCAYAAN produk, pembaikan, apa-apa penyelenggaraan atau penyesuaian lain perlu dilakukan oleh Kilang atau Pusat Servis Makita yang Diiktiraf, sentiasa gunakan alat ganti Makita.

## AKSESORI PILIHAN

**⚠️ PERHATIAN:** Aksesori-aksesori atau lampiran-lampiran ini adalah disyorkan untuk digunakan dengan alat Makita anda yang ditentukan dalam manual ini. Penggunaan mana-mana aksesori-aksesori atau lampiran-lampiran lain mungkin mengakibatkan risiko kecederaan kepada orang. Hanya gunakan aksesori atau lampiran untuk tujuan yang dinyatakannya.

Jika anda memerlukan sebarang bantuan untuk maklumat lebih lanjut mengenai aksesori ini, tanya Pusat Perkhidmatan Makita tempatan anda.

- Mata gerudi
- Genggaman sisi
- Bateri dan pengecas asli Makita

**NOTA:** Beberapa item dalam senarai mungkin disertakan dalam pakej alat sebagai aksesori standard. Item mungkin berbeza mengikut negara.

# THÔNG SỐ KỸ THUẬT

<b>Kiểu máy:</b>		<b>DA001G</b>	
Tốc độ bánh răng		Cao	Thấp
Khả năng khoan (Đường kính)	Thép	13 mm	
	Gỗ	Mũi khoan ruột gà: 50 mm Mũi khoan tự dẫn: 65 mm Cưa lỗ: 105 mm	Mũi khoan ruột gà: 50 mm Mũi khoan tự dẫn: 118 mm Cưa lỗ: 159 mm
Tốc độ không tải		0 - 1.500 min <sup>-1</sup>	0 - 400 min <sup>-1</sup>
Chiều dài tổng thể (với hộp pin BL4040) *Với tay cầm phía trước nối rỗng		545 mm * 614 mm	
Điện áp định mức		D.C. 36 V - tối đa 40 V	
Khối lượng tịnh		5,6 - 6,2 kg	

- Do chương trình nghiên cứu và phát triển liên tục của chúng tôi nên các thông số kỹ thuật trong đây có thể thay đổi mà không cần thông báo trước.
- Các thông số kỹ thuật có thể thay đổi tùy theo từng quốc gia.
- Khối lượng có thể khác nhau tùy thuộc vào (các) phụ kiện, bao gồm cả hộp pin. Tổ hợp nhẹ nhất và nặng nhất, theo Quy trình EPTA 01/2014, được trình bày trong bảng.

## Hộp pin và sạc pin có thể áp dụng

Hộp pin	BL4020 / BL4025* / BL4040* / BL4050F* *: Pin được khuyến dùng
Bộ sạc	DC40RA / DC40RB / DC40RC

- Một số hộp pin và sạc pin được nêu trong danh sách ở trên có thể không khả dụng tùy thuộc vào khu vực cư trú của bạn.

**⚠ CẢNH BÁO:** Chỉ sử dụng hộp pin và sạc pin được nêu trong danh sách ở trên. Việc sử dụng bất cứ hộp pin và sạc pin nào khác có thể gây ra thương tích và/hoặc hỏa hoạn.

## Ký hiệu

Phần dưới đây cho biết các ký hiệu có thể được dùng cho thiết bị. Đảm bảo rằng bạn hiểu rõ ý nghĩa của các ký hiệu này trước khi sử dụng.



Đọc tài liệu hướng dẫn.



Ni-MH  
Li-Ion

Chỉ dành cho các quốc gia EU  
Không thải bỏ thiết bị điện hoặc bộ pin cùng với các chất thải sinh hoạt!  
Để tuân thủ các Chỉ thị của Châu Âu về thiết bị điện và điện tử thải bỏ, và về pin và ắc quy và pin và ắc quy thải bỏ, và thi hành những chỉ thị này phù hợp với luật lệ quốc gia, các thiết bị điện tử và pin và (các) bộ pin không còn sử dụng được nữa phải được thu nhặt riêng và đưa trở lại một cơ sở tái chế tương thích với môi trường.

## Mục đích sử dụng

Dụng cụ này dùng để khoan gỗ, kim loại và nhựa.

## CẢNH BÁO AN TOÀN

### Cảnh báo an toàn chung dành cho dụng cụ máy

**⚠ CẢNH BÁO:** Xin đọc tất cả các cảnh báo an toàn, hướng dẫn, minh họa và thông số kỹ thuật đi kèm với dụng cụ máy này. Việc không tuân theo các hướng dẫn được liệt kê dưới đây có thể dẫn đến điện giật, hỏa hoạn và/hoặc thương tích nghiêm trọng.

### Lưu giữ tất cả cảnh báo và hướng dẫn để tham khảo sau này.

Thuật ngữ “dụng cụ máy” trong các cảnh báo đề cập đến dụng cụ máy (có dây) được vận hành bằng nguồn điện chính hoặc dụng cụ máy (không dây) được vận hành bằng pin của bạn.

#### An toàn tại nơi làm việc

- Giữ nơi làm việc sạch sẽ và có đủ ánh sáng.  
Nơi làm việc bừa bộn hoặc tối thường dễ gây ra tai nạn.



2. **Không vận hành dụng cụ máy trong môi trường cháy nổ, ví dụ như môi trường có sự hiện diện của các chất lỏng, khí hoặc bụi dễ cháy.** Các dụng cụ máy tạo tia lửa điện có thể làm bụi hoặc khí bốc cháy.
3. **Giữ trẻ em và người ngoài tránh xa nơi làm việc khi đang vận hành dụng cụ máy.** Sự xao lãng có thể khiến bạn mất khả năng kiểm soát.

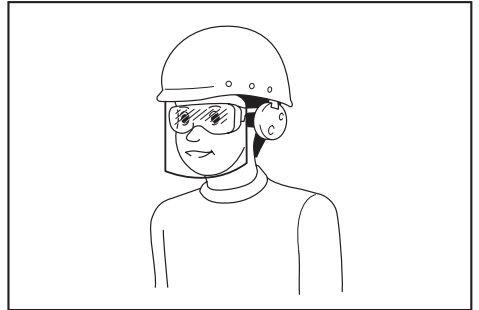
#### An toàn về Điện

1. **Phích cắm của dụng cụ máy phải khớp với ổ cắm. Không được sửa đổi phích cắm theo bất kỳ cách nào. Không sử dụng bất kỳ phích chuyển đổi nào với các dụng cụ máy được nối đất (tiếp đất).** Các phích cắm còn nguyên vẹn và ổ cắm phù hợp sẽ giảm nguy cơ điện giật.
2. **Tránh để cơ thể tiếp xúc với các bề mặt nóng đất hoặc tiếp đất như đường ống, bộ tản nhiệt, bếp ga và tủ lạnh.** Nguy cơ bị điện giật sẽ tăng lên nếu cơ thể bạn được nối đất hoặc tiếp đất.
3. **Không để dụng cụ máy tiếp xúc với mưa hoặc trong điều kiện ẩm ướt.** Nước lọt vào dụng cụ máy sẽ làm tăng nguy cơ điện giật.
4. **Không lạm dụng dây điện. Không được phép sử dụng dây để mang, kéo hoặc tháo phích cắm dụng cụ máy. Giữ dây tránh xa nguồn nhiệt, dầu, các mép sắc hoặc các bộ phận chuyển động.** Dây bị hỏng hoặc bị rối sẽ làm tăng nguy cơ điện giật.
5. **Khi vận hành dụng cụ máy ngoài trời, hãy sử dụng dây kéo dài phù hợp cho việc sử dụng ngoài trời.** Việc dùng dây phù hợp cho việc sử dụng ngoài trời sẽ giảm nguy cơ điện giật.
6. **Nếu bắt buộc phải vận hành dụng cụ máy ở nơi ẩm ướt, hãy sử dụng nguồn cấp điện được bảo vệ bằng thiết bị ngắt dòng điện rò (RCD).** Việc sử dụng RCD sẽ làm giảm nguy cơ điện giật.
7. **Các dụng cụ máy có thể tạo ra từ trường điện (EMF) có hại cho người dùng.** Tuy nhiên, người dùng máy trợ tim và những thiết bị y tế tương tự khác nên liên hệ với nhà sản xuất thiết bị và/hoặc bác sỹ để được tư vấn trước khi vận hành dụng cụ này.

#### An toàn Cá nhân

1. **Luôn tỉnh táo, quan sát những việc bạn đang làm và sử dụng những phán đoán theo kinh nghiệm khi vận hành dụng cụ máy. Không sử dụng dụng cụ máy khi bạn đang mệt mỏi hoặc chịu ảnh hưởng của ma túy, rượu hay thuốc.** Chỉ một khoảnh khắc không tập trung khi đang vận hành dụng cụ máy cũng có thể dẫn đến thương tích cá nhân nghiêm trọng.
2. **Sử dụng thiết bị bảo hộ cá nhân. Luôn đeo thiết bị bảo vệ mắt.** Các thiết bị bảo hộ như mũ bảo hộ chống bụi, giày an toàn chống trượt, mũ bảo hộ hay thiết bị bảo vệ thính giác được sử dụng trong các điều kiện thích hợp sẽ giúp giảm thương tích cá nhân.
3. **Tránh vô tình khởi động dụng cụ máy. Đảm bảo công tắc ở vị trí off (tắt) trước khi nối nguồn điện và/hoặc bộ pin, cắm hoặc di chuyển dụng cụ máy.** Việc di chuyển dụng cụ máy khi đang đặt ngón tay ở vị trí công tắc hoặc cấp điện cho dụng cụ máy đang bật thường dễ gây ra tai nạn.

4. **Tháo tất cả các khóa hoặc cờ lê điều chỉnh trước khi bật dụng cụ máy.** Việc cờ lê hoặc khóa vẫn còn gắn vào bộ phận quay của dụng cụ máy có thể dẫn đến thương tích cá nhân.
5. **Không vớ quá cao. Luôn giữ thẳng bằng tốt và có chỗ để chân phù hợp.** Điều này cho phép điều khiển dụng cụ máy tốt hơn trong những tình huống bất ngờ.
6. **Ăn mặc phù hợp. Không mặc quần áo rộng hay đeo đồ trang sức. Giữ tóc và quần áo tránh xa các bộ phận chuyển động.** Quần áo rộng, đồ trang sức hay tóc dài có thể mắc vào các bộ phận chuyển động.
7. **Nếu các thiết bị được cung cấp để kết nối các thiết bị thu gom và hút bụi, hãy đảm bảo chúng được kết nối và sử dụng hợp lý.** Việc sử dụng thiết bị thu gom bụi có thể làm giảm những mối nguy hiểm liên quan đến bụi.
8. **Không vì quen thuộc do thường xuyên sử dụng các dụng cụ mà cho phép bạn trở nên tự mãn và bỏ qua các nguyên tắc an toàn dụng cụ.** Một hành động bất cẩn có thể gây ra thương tích nghiêm trọng trong một phần của một giây.
9. **Luôn luôn mang kính bảo hộ để bảo vệ mắt khỏi bị thương khi đang sử dụng các dụng cụ máy. Kính bảo hộ phải tuân thủ ANSI Z87.1 ở Mỹ, EN 166 ở Châu Âu, hoặc AS/NZS 1336 ở Úc/New Zealand. Tại Úc/New Zealand, theo luật pháp, bạn cũng phải mang mặt nạ che mặt để bảo vệ mặt.**



**Trách nhiệm của chủ lao động là bắt buộc người vận hành dụng cụ và những người khác trong khu vực làm việc cạnh đó phải sử dụng các thiết bị bảo hộ an toàn thích hợp.**

#### Sử dụng và bảo quản dụng cụ máy

1. **Không dùng lực đối với dụng cụ máy. Sử dụng đúng dụng cụ máy cho công việc của bạn.** Sử dụng đúng dụng cụ máy sẽ giúp tiết kiệm thời gian công việc tốt hơn và an toàn hơn theo giá trị định mức được thiết kế của dụng cụ máy đó.
2. **Không sử dụng dụng cụ máy nếu công tắc không bật và tắt được dụng cụ máy đó.** Mọi dụng cụ máy không thể điều khiển được bằng công tắc đều rất nguy hiểm và phải được sửa chữa.

3. **Rút phích cắm ra khỏi nguồn điện và/hoặc tháo kết nối bộ pin khỏi dụng cụ máy, nếu có thể tháo rời trước khi thực hiện bất kỳ công việc điều chỉnh, thay đổi phụ tùng hay cất giữ dụng cụ máy nào.** Những biện pháp an toàn phòng ngừa này sẽ giảm nguy cơ vô tình khởi động dụng cụ máy.
4. **Cất giữ các dụng cụ máy không sử dụng ngoài tầm với của trẻ em và không cho bất kỳ người nào không có hiểu biết về dụng cụ máy hoặc các hướng dẫn này vận hành dụng cụ máy.** Dụng cụ máy sẽ rất nguy hiểm nếu được sử dụng bởi những người dùng chưa qua đào tạo.
5. **Bảo dưỡng dụng cụ máy và các phụ kiện.** Kiểm tra tình trạng lịch trực hoặc bộ kẹp của các bộ phận chuyển động, hiện tượng nứt vỡ của các bộ phận và mọi tình trạng khác mà có thể ảnh hưởng đến hoạt động của dụng cụ máy. Nếu có hỏng hóc, hãy sửa chữa dụng cụ máy trước khi sử dụng. Nhiều tai nạn xảy ra là do không bảo quản tốt dụng cụ máy.
6. **Luôn giữ cho dụng cụ cất được sắc bén và sạch sẽ.** Những dụng cụ cất được bảo quản tốt có mức cất sắc sẽ ít bị kẹt hơn và dễ điều khiển hơn.
7. **Sử dụng dụng cụ máy, phụ tùng và đầu dụng cụ cắt, v.v... theo các hướng dẫn này, có tính đến điều kiện làm việc và công việc được thực hiện.** Việc sử dụng dụng cụ máy cho các công việc khác với công việc dự định có thể gây nguy hiểm.
8. **Giữ tay cầm và bề mặt tay cầm khô, sạch, không dính dầu và mỡ.** Tay cầm trơn trượt và bề mặt tay cầm không cho phép xử lý an toàn và kiểm soát dụng cụ trong các tình huống bất ngờ.
9. **Khi sử dụng dụng cụ, không được đi giày tay lao động bằng vải, có thể bị vướng.** Việc giày tay lao động bằng vải vướng vào các bộ phận chuyển động có thể gây ra thương tích cá nhân.

6. **Không để bộ pin hoặc dụng cụ tiếp xúc với lửa hoặc nhiệt độ quá cao.** Tiếp xúc với lửa hoặc nhiệt độ trên 130 °C có thể gây ra cháy nổ.
7. **Làm theo tất cả các hướng dẫn sạc pin và không được sạc bộ pin hoặc dụng cụ vượt giới hạn nhiệt độ quy định trong hướng dẫn.** Sạc pin không đúng hoặc ở nhiệt độ vượt giới hạn nhiệt độ có thể gây hư hỏng cho pin và làm tăng nguy cơ cháy.

#### Bảo dưỡng

1. **Đề nghị viên sửa chữa đủ trình độ bảo dưỡng dụng cụ máy của bạn và chỉ sử dụng các bộ phận thay thế đồng nhất.** Việc này sẽ đảm bảo duy trì được độ an toàn của dụng cụ máy.
2. **Không bao giờ sử dụng bộ pin đã hỏng.** Dịch vụ bảo hành bộ pin chỉ nên thực hiện bởi nhà sản xuất hoặc các nhà cung cấp dịch vụ được ủy quyền.
3. **Tuân theo hướng dẫn dành cho việc bôi trơn và thay phụ tùng.**

### Cảnh báo an toàn với máy khoan chạy pin

#### Hướng dẫn an toàn cho mọi thao tác

1. **Sử dụng (các) tay cầm phụ.** Việc mất khả năng kiểm soát có thể dẫn đến thương tích cá nhân.
2. **Nẹp chặt dụng cụ đúng cách trước khi sử dụng.** Dụng cụ này tạo ra mô-men xoắn đầu ra cao và khi không nẹp chặt dụng cụ đúng cách trong quá trình vận hành, có thể xảy ra mất kiểm soát dẫn đến thương tích cá nhân.
3. **Cầm dụng cụ điện bằng bề mặt tay cầm cách điện khi thực hiện một thao tác trong đó phụ kiện cắt có thể tiếp xúc với dây điện ngầm.** Phụ kiện cắt tiếp xúc với dây dẫn "có điện" có thể khiến các bộ phận kim loại bị hở của dụng cụ máy "có điện" và làm cho người vận hành bị điện giật.
4. **Luôn chắc chắn rằng bạn có chỗ tựa chân vững chắc.** Đảm bảo rằng không có ai ở bên dưới khi sử dụng dụng cụ ở những vị trí trên cao.
5. **Cầm chắc dụng cụ.**
6. **Giữ tay tránh xa các bộ phận quay.**
7. **Không để mặc dụng cụ hoạt động.** Chỉ vận hành dụng cụ khi cầm trên tay.
8. **Không chạm vào mũi khoan hoặc phôi gia công ngay sau khi vận hành; chúng có thể rất nóng và có thể gây bỏng da.**
9. **Một số vật liệu có thể chứa hóa chất độc hại.** Phải cẩn trọng tránh hít phải bụi và để tiếp xúc với đất. Tuân theo dữ liệu an toàn của nhà cung cấp vật liệu.
10. **Nếu mũi khoan không thể rời lòng ngay khi bạn mở ngàm kẹp, hãy dùng kim để kéo nó ra.** Trong trường hợp đó, việc dùng tay kéo mũi khoan ra có thể khiến các cạnh mép sắc nhọn gây thương tích cho bạn.
11. **Nếu có điều gì đó sai với dụng cụ như âm thanh bất thường, hãy ngừng vận hành ngay lập tức và nhờ Trung tâm Dịch vụ Makita ở địa phương bạn sửa chữa.**

12. Trước khi vận hành, đảm bảo rằng không có vật bị chôn vùi như ống điện, ống nước hoặc ống gas trong đất. Nếu không, dụng cụ có thể chạm vào chúng, dẫn đến điện giật, rò rỉ điện hoặc rò rỉ gas.

#### Hướng dẫn an toàn khi sử dụng mũi khoan dài

1. Không được vận hành máy ở tốc độ cao hơn tốc độ tối đa của mũi khoan. Ở tốc độ cao hơn, mũi khoan có khả năng bị cong nếu để nó xoay tự do mà không tiếp xúc với phôi gia công, dẫn đến thương tích cá nhân.
2. Luôn bắt đầu khoan ở tốc độ thấp và khoan với đầu mũi có tiếp xúc với phôi gia công. Ở tốc độ cao hơn, mũi khoan có khả năng bị cong nếu để nó xoay tự do mà không tiếp xúc với phôi gia công, dẫn đến thương tích cá nhân.
3. Chỉ dùng lực theo đường thẳng với mũi khoan và không nhấn lực quá mức. Các mũi khoan có thể bị uốn cong dẫn đến nứt hoặc mất kiểm soát, gây ra thương tích cá nhân.

## LƯU GIỮ CÁC HƯỚNG DẪN NÀY.

**⚠CẢNH BÁO:** KHÔNG vì đã thoải mái hay quen thuộc với sản phẩm (có được do sử dụng nhiều lần) mà không tuân thủ nghiêm ngặt các quy định về an toàn dành cho sản phẩm này. VIỆC DÙNG SAI hoặc không tuân theo các quy định về an toàn được nêu trong tài liệu hướng dẫn này có thể dẫn đến thương tích cá nhân nghiêm trọng.

### Hướng dẫn quan trọng về an toàn dành cho hộp pin

1. Trước khi sử dụng hộp pin, hãy đọc kỹ tất cả các hướng dẫn và dấu hiệu cảnh báo trên (1) bộ sạc pin, (2) pin và (3) sản phẩm sử dụng pin.
2. Không tháo rời hoặc làm thay đổi hộp pin. Việc này có thể dẫn đến hỏa hoạn, quá nhiệt hoặc nổ.
3. Nếu thời gian vận hành ngắn hơn quá mức, hãy ngừng vận hành ngay lập tức. Điều này có thể dẫn đến rủi ro quá nhiệt, có thể gây bỏng và thậm chí là nổ.
4. Nếu chất điện phân rơi vào mắt, hãy rửa sạch bằng nước sạch và đến cơ sở y tế ngay lập tức. Chất này có thể khiến bạn giảm thị lực.
5. Không để hộp pin ở tình trạng đoản mạch:
  - (1) Không chạm vào cực pin bằng vật liệu dẫn điện.
  - (2) Tránh cất giữ hộp pin trong hộp có các vật kim loại khác như đinh, tiền xu, v.v...
  - (3) Không được để hộp pin tiếp xúc với nước hoặc mưa.
 Đoàn mạch pin có thể gây ra dòng điện lớn, quá nhiệt, có thể gây bỏng và thậm chí là hỏng hóc.
6. Không cất giữ cũng như sử dụng dụng cụ và hộp pin ở nơi nhiệt độ có thể lên tới hoặc vượt quá 50 °C (122 °F).
7. Không đốt hộp pin ngay cả khi hộp pin đã bị hư hại nặng hoặc hư hỏng hoàn toàn. Hộp pin có thể nổ khi tiếp xúc với lửa.

8. Không đóng đinh, cắt, nghiền nát, ném, làm rơi hộp pin hoặc va vật cứng vào hộp pin. Làm như thế có thể dẫn đến hỏa hoạn, quá nhiệt hoặc nổ.
9. Không sử dụng pin đã hỏng.
10. Pin nèn lithium-ion là đối tượng có yêu cầu bắt buộc theo Luật Hàng hoá Nguy hiểm. Đối với vận tải thương mại, ví dụ như vận tải do bên thứ ba, đại lý giao nhận, thì yêu cầu đặc biệt về đóng gói và nhãn ghi phải được giám sát. Để chuẩn bị cho mặt hàng cần vận chuyển, cần phải tham khảo ý kiến chuyên gia về vật liệu nguy hiểm. Nếu được, vui lòng tuân thủ các quy định quốc gia chi tiết hơn. Buộc hoặc niêm phong các tiếp điểm mở và đóng gói pin theo cách đó để nó không thể di chuyển trong bao bì.
11. Khi vứt bỏ hộp pin, hãy tháo chúng khỏi dụng cụ và thải bỏ ở nơi an toàn. Phải tuân thủ theo các quy định của địa phương liên quan đến việc thải bỏ pin.
12. Chỉ sử dụng pin cho các sản phẩm Makita chỉ định. Lắp pin vào sản phẩm không thích hợp có thể gây ra hỏa hoạn, quá nhiệt, nổ, hoặc rò rỉ chất điện phân.
13. Nếu dụng cụ không được sử dụng trong một thời gian dài, cần phải tháo pin ra khỏi dụng cụ.
14. Trong và sau khi sử dụng, hộp pin có thể bị nóng, có thể gây bỏng hoặc bỏng ở nhiệt độ thấp. Chú ý xử lý hộp pin nóng.
15. Không chạm vào điện cực đủ nóng để gây bỏng.
16. Không để vận bào, bụi hoặc đất bám vào các điện cực, lỗ và rãnh của hộp pin. Việc này có thể dẫn đến hiệu suất kém hoặc hỏng hóc dụng cụ hay hộp pin.
17. Trừ khi dụng cụ hỗ trợ sử dụng gần đường dây điện cao thế, không sử dụng hộp pin gần đường dây điện cao thế. Việc này có thể dẫn đến trực tiếp hoặc hỏng hóc dụng cụ hay hộp pin.
18. Giữ pin tránh xa trẻ em.

## LƯU GIỮ CÁC HƯỚNG DẪN NÀY.

**⚠THẬN TRỌNG:** Chỉ sử dụng pin Makita chính hãng. Việc sử dụng pin không chính hãng Makita, hoặc pin đã được sửa đổi, có thể dẫn đến nổ pin gây ra cháy, thương tích và thiệt hại cá nhân. Nó cũng sẽ làm mất hiệu lực bảo hành của Makita dành cho dụng cụ của Makita và bộ sạc.

### Mẹo duy trì tuổi thọ tối đa cho pin

1. Sạc hộp pin trước khi pin bị xả điện hoàn toàn. Luôn dừng việc vận hành dụng cụ và sạc pin khi bạn nhận thấy công suất dụng cụ bị giảm.
2. Không được phép sạc lại một hộp pin đã được sạc đầy. Sạc quá mức sẽ làm giảm tuổi thọ của pin.
3. Sạc pin ở nhiệt độ phòng 10°C - 40°C. Để cho hộp pin nóng nguội lại dần trước khi sạc pin.

4. Khi không sử dụng hộp pin, hãy tháo hộp pin ra khỏi dụng cụ hoặc bộ sạc.
5. Sạc pin sáu tháng một lần nếu bạn không sử dụng dụng cụ trong một thời gian dài (hơn sáu tháng).

## MÔ TẢ CHỨC NĂNG

**⚠ THẬN TRỌNG:** Luôn đảm bảo rằng đã tắt dụng cụ và tháo hộp pin ra trước khi thực hiện việc điều chỉnh hoặc kiểm tra chức năng trên dụng cụ.

### Lắp hoặc tháo hộp pin

**⚠ THẬN TRỌNG:** Luôn tắt dụng cụ trước khi lắp hoặc tháo hộp pin.

**⚠ THẬN TRỌNG:** Giữ dụng cụ và hộp pin thật chắc khi lắp hoặc tháo hộp pin. Không giữ dụng cụ và hộp pin thật chắc có thể làm trượt chúng khỏi tay và làm hư hỏng dụng cụ và hộp pin hoặc gây thương tích cá nhân.

► **Hình1:** 1. Chỉ báo màu đỏ 2. Nút 3. Hộp pin

Để tháo hộp pin, vừa trượt pin ra khỏi dụng cụ vừa đẩy trượt nút ở phía trước hộp pin.

Để lắp hộp pin, đặt thẳng hàng phần chốt nhỏ ra của hộp pin vào phần rãnh nằm trên vỏ và trượt hộp pin vào vị trí. Đưa hộp pin vào hết mức cho đến khi chốt khóa vào đúng vị trí với một tiếng cách nhẹ. Nếu bạn có thể nhìn thấy chỉ báo màu đỏ như thể hiện trong hình, điều đó có nghĩa vẫn chưa được khóa hoàn toàn.

**⚠ THẬN TRỌNG:** Luôn lắp hộp pin khớp hoàn toàn vào vị trí cho đến khi không thể nhìn thấy chỉ báo màu đỏ. Nếu không, hộp pin có thể vô tình rơi ra khỏi dụng cụ, gây thương tích cho bạn hoặc người khác xung quanh.

**⚠ THẬN TRỌNG:** Không được dùng sức lắp hộp pin. Nếu hộp pin không nhẹ nhàng trượt vào vị trí, có nghĩa là pin vẫn chưa được lắp đúng.

## Chỉ báo dung lượng pin còn lại

Ấn nút check (kiểm tra) trên hộp pin để chỉ báo dung lượng pin còn lại. Các đèn chỉ báo bật sáng lên trong vài giây.

► **Hình2:** 1. Các đèn chỉ báo 2. Nút Check (kiểm tra)

Các đèn chỉ báo			Dung lượng còn lại
Bật sáng	Tắt	Nhấp nháy	
■ ■ ■ ■			75% đến 100%
■ ■ ■ □			50% đến 75%
■ ■ □ □			25% đến 50%
■ □ □ □			0% đến 25%
▣ □ □ □			Sạc pin.
■ ■ □ □			Pin có thể đã bị hỏng.
□ □ ■ ■			

**LƯU Ý:** Tùy thuộc vào các điều kiện sử dụng và nhiệt độ xung quanh, việc chỉ báo có thể khác biệt một chút so với dung lượng thực sự.

**LƯU Ý:** Đèn chỉ báo (phía xa bên trái) đầu tiên sẽ nhấp nháy khi hệ thống bảo vệ pin hoạt động.

## Hệ thống bảo vệ dụng cụ / pin

Dụng cụ này được trang bị hệ thống bảo vệ dụng cụ / pin. Hệ thống này sẽ tự động ngắt nguồn điện đến động cơ để kéo dài tuổi thọ dụng cụ và pin. Dụng cụ sẽ tự động dừng vận hành khi dụng cụ hoặc pin ở một trong những trường hợp sau đây:

### Bảo vệ quá tải

Khi vận hành dụng cụ/pin trong điều kiện làm máy tiêu tốn dòng điện cao bất thường, dụng cụ sẽ tự động dừng hoạt động. Trong trường hợp này, hãy tắt dụng cụ và ngừng ứng dụng làm cho dụng cụ trở nên quá tải. Sau đó bật dụng cụ lên để khởi động lại.

### Bảo vệ quá nhiệt

Khi dụng cụ/pin bị quá nhiệt, dụng cụ sẽ tự động dừng và đèn sẽ nhấp nháy. Trong tình huống này, hãy để dụng cụ nguội lại trước khi bật dụng cụ một lần nữa.

### Bảo vệ xả điện quá mức

Khi dung lượng pin không đủ, thì dụng cụ sẽ tự động dừng. Trong trường hợp này, hãy tháo pin khỏi dụng cụ và sạc pin lại.

## Công tắc nguồn chính

**⚠ CẢNH BÁO:** Luôn luôn tắt công tắc nguồn chính khi không sử dụng.

Để đưa dụng cụ về chế độ chờ, nhấn công tắc nguồn chính cho đến khi đèn nguồn chính sáng lên. Để tắt nguồn, bấm công tắc nguồn chính lần nữa.

► **Hình3:** 1. Nút nguồn chính

**LƯU Ý:** Dụng cụ này sử dụng chức năng tắt nguồn tự động. Để tránh việc khởi động ngoài ý muốn, công tắc nguồn chính sẽ tự động tắt khi cần khởi động công tắc không được kéo trong một khoảng thời gian nhất định sau khi công tắc nguồn chính được bật lên.

## Hoạt động công tắc

**⚠ THẬN TRỌNG:** Trước khi lắp hộp pin vào dụng cụ, luôn luôn kiểm tra xem cần khởi động công tắc có hoạt động bình thường hay không và trả về vị trí "OFF" (TẮT) khi nhả ra.

► **Hình4:** 1. Cần khởi động công tắc

Để khởi động dụng cụ, vừa kéo cần khởi động công tắc vừa bật công tắc nguồn chính. Tốc độ của dụng cụ được tăng lên bằng cách tăng áp lực lên cần khởi động công tắc. Nhả cần khởi động công tắc ra để dừng.

**LƯU Ý:** Dụng cụ này sẽ tự động dừng lại nếu bạn tiếp tục kéo giữ cần khởi động công tắc trong khoảng 6 phút.

## Bật sáng đèn phía trước

**⚠ THẬN TRỌNG:** Đừng nhìn thẳng trực tiếp vào đèn hoặc nguồn sáng.

► **Hình5:** 1. Đèn

Kéo cần khởi động công tắc để bật sáng đèn. Đèn sẽ vẫn sáng trong lúc cần khởi động công tắc đang được kéo. Đèn sẽ tắt khoảng 10 giây sau khi nhả cần khởi động công tắc.

**LƯU Ý:** Khi bị quá nhiệt, dụng cụ sẽ tự động dừng và đèn bắt đầu nhấp nháy. Trong trường hợp này, hãy nhả cần khởi động công tắc. Đèn tắt trong 5 phút.

**LƯU Ý:** Dùng vải khô để lau bụi bẩn trên kính đèn. Cần thận không được làm xước kính đèn, nếu không đèn có thể bị giảm độ sáng.

## Hoạt động công tắc đảo chiều

**⚠ THẬN TRỌNG:** Luôn luôn kiểm tra hướng xoay trước khi vận hành.

**⚠ THẬN TRỌNG:** Chỉ sử dụng công tắc đảo chiều sau khi dụng cụ đã dừng hoàn toàn. Việc thay đổi hướng xoay trước khi dụng cụ dừng có thể làm hỏng dụng cụ.

**⚠ THẬN TRỌNG:** Khi vận hành dụng cụ, luôn đặt nút công tắc đảo chiều ở vị trí chính giữa.

Dụng cụ này có một công tắc đảo chiều để thay đổi chiều xoay. Nhấn nút công tắc đảo chiều từ mặt A để xoay theo chiều kim đồng hồ hoặc từ mặt B để xoay ngược chiều kim đồng hồ.

Khi cần công tắc đảo chiều ở vị trí chính giữa, không thể kéo cần công tắc được.

► **Hình6:** 1. Cần công tắc đảo chiều

## Chức năng thay đổi tốc độ tự động




Dụng cụ này có "chế độ tốc độ cao" và "chế độ mô-men quay cao".

Dụng cụ sẽ tự động đổi chế độ vận hành tùy thuộc vào tải trọng công việc. Khi làm việc với tải trọng công việc thấp, dụng cụ sẽ chạy ở "chế độ tốc độ cao" để thao tác nhanh hơn. Khi làm việc với tải trọng công việc cao, dụng cụ sẽ chạy ở "chế độ mô-men quay cao" để thao tác có lực mạnh.

► **Hình7:** 1. Đèn chỉ báo chế độ

Đèn chỉ báo chế độ bật sáng màu xanh lá cây khi dụng cụ đang hoạt động ở "chế độ mô-men quay cao".

Nếu vận hành dụng cụ quá mức, đèn chỉ báo chế độ sẽ nhấp nháy màu xanh lá cây. Đèn chỉ báo chế độ sẽ ngừng nhấp nháy, sau đó bật sáng hoặc tắt đi nếu bạn giảm tải cho dụng cụ.

Trạng thái đèn chỉ báo chế độ			Chế độ vận hành
<input checked="" type="radio"/> Bật	<input type="radio"/> Tắt	<input checked="" type="radio"/> Nhấp nháy	
			Chế độ tốc độ cao
			Chế độ mô-men xoắn cao
			Cảnh báo quá tải

## Thay đổi tốc độ

**CHÚ Ý:** Chỉ sử dụng núm thay đổi tốc độ sau khi dụng cụ đã dừng hoàn toàn. Thay đổi tốc độ trước khi máy dừng hoàn toàn có thể làm hỏng máy.

**CHÚ Ý:** Luôn đặt núm thay đổi tốc độ vào thật đúng vị trí. Nếu bạn vận hành dụng cụ với núm thay đổi tốc độ đặt ở một nửa giữa vị trí 1 và vị trí 2, dụng cụ có thể bị hư hỏng.

Có thể lựa chọn trước hai dải tốc độ bằng nút thay đổi tốc độ.

Để thay đổi tốc độ hãy ấn nút khóa và xoay núm điều chỉnh tốc độ sao cho vạch chuẩn chỉ vào vị trí số 1 để chọn tốc độ chậm và vị trí số 2 để chọn tốc độ cao.

► **Hình8:** 1. Nút khóa 2. Kim chỉ 3. Núm thay đổi tốc độ

## Bộ phận giới hạn lực vận xiết

Bộ phận giới hạn lực vận xiết sẽ khởi hoạt khi đạt tới một mức lực vận xiết nhất định khi cài đặt tốc độ thấp hơn (vị trí 1). Động cơ sẽ được ngắt khởi trực dẫn động. Khi điều này xảy ra, mũi dụng cụ sẽ ngừng xoay. Để khởi động lại dụng cụ, nhấn mũi dụng cụ ra khỏi phôi gia công sau đó kéo cần khởi động công tắc một lần nữa.

## Chức năng điện tử

### Phanh điện tử

Dụng cụ này được trang bị một phanh điện tử. Nếu dụng cụ liên tục không thể dừng nhanh hoạt động sau khi nhả cần khởi động công tắc, hãy đem dụng cụ đến trung tâm dịch vụ của Makita.

### Tính năng khởi động mềm

Chức năng này cho phép khởi động dụng cụ mượt mà bằng cách hạn chế mô-men xoắn khi khởi động.

## LẮP RÁP

**⚠ THẬN TRỌNG:** Luôn đảm bảo rằng đã tắt dụng cụ và tháo hộp pin ra trước khi thực hiện bất cứ thao tác nào trên dụng cụ.

### Lắp đặt tay cầm hông (tay cầm phụ)

**⚠ THẬN TRỌNG:** Luôn đảm bảo rằng tay cầm hông được gắn chặt trước khi vận hành.

Vận tay cầm hông trên dụng cụ thật chặt. Tay cầm hông có thể được gắn ở cả hai bên của dụng cụ tùy theo bên nào thuận tiện.

► **Hình9:** 1. Tay cầm hông

### Tay cầm phía trước

**⚠ THẬN TRỌNG:** Không cố định tay cầm phía trước ở ngoài giới hạn của mũi tên như hình minh họa. Cần thận không để tay kẹt vào tay cầm. Không để tay gần vào ngàm khoan. Các bất cân trên đều có thể gây ra tai nạn nghiêm trọng.

**⚠ THẬN TRỌNG:** Luôn luôn bảo đảm các bu-lông lục giác (cả hai bên) của tay cầm phía trước đều được siết chặt.

Có thể lắp tay cầm phía trước ở bất kỳ vị trí nào trong khoảng 0° - 112,5° như hình minh họa.

► **Hình10:** 1. Tay cầm phía trước

Để thay đổi vị trí của tay cầm chống, hãy tháo lỏng bu-lông lục giác (ở cả hai bên) bằng khóa lục giác và xoay tay cầm phía trước đến vị trí mong muốn. Sau đó vận các bu-lông lục giác thật chặt.

► **Hình11:** 1. Tay cầm phía trước 2. Cờ lê lục giác

## Lắp hoặc tháo gỡ mũi khoan

Để lắp đặt mũi khoan, hãy lắp nó vào trong ngàm kẹp hết mức có thể. Vận chặt ngàm kẹp bằng tay. Đặt khóa ngàm vào một trong ba lỗ nhỏ rồi vận chặt theo chiều kim đồng hồ. Đảm bảo vận chặt cả ba lỗ ngàm đều nhau.

Để tháo mũi khoan, hãy xoay khóa ngàm ngược chiều kim đồng hồ chỉ ở một lỗ, sau đó vận lỏng bộ phận ngàm bằng tay.

► **Hình12:** 1. Khóa ngàm

Sau khi sử dụng, trả khóa ngàm về giá gắn khóa trên dụng cụ như minh họa.

► **Hình13:** 1. Giá gắn khóa

## Móc treo

**⚠ THẬN TRỌNG:** Luôn luôn tháo pin khi treo dụng cụ bằng móc treo.

**⚠ THẬN TRỌNG:** Đừng bao giờ treo dụng cụ ở vị trí cao hoặc trên bề mặt có khả năng không thẳng bằng.

Móc treo rất thuận tiện cho việc treo tạm dụng cụ.

Để sử dụng móc treo, chỉ đơn giản nhấn móc treo cho đến khi móc treo trượt vào vị trí mở. Khi không sử dụng, luôn hạ móc treo xuống cho đến khi móc treo trượt vào vị trí đóng.

► **Hình14:** 1. Móc treo

► **Hình15**

## Kết nối dây đeo (dây cột) vào móc treo

**⚠ THẬN TRỌNG:** Không sử dụng móc treo và vít đã hỏng. Trước khi sử dụng, luôn kiểm tra xem có hư hỏng, nứt hoặc biến dạng không và đảm bảo vít được siết chặt.

**⚠ THẬN TRỌNG:** Đảm bảo rằng móc treo được lắp chặt bằng vít.

**⚠ THẬN TRỌNG:** Không được lắp đặt hoặc tháo bất kỳ phụ kiện nào ra trong khi treo dụng cụ. Nếu không siết chặn vít, dụng cụ có thể rơi ra.

**⚠ THẬN TRỌNG:** Luôn sử dụng móc khóa hình chữ nhật có khóa (đa năng và kiểu vít xoay) và đảm bảo gắn dây đeo (dây cột) vào phần vòng lặp kép của móc treo. Phụ kiện không thích hợp có thể khiến dụng cụ rơi khỏi móc treo và dẫn đến thương tích cá nhân.

Móc treo cũng được sử dụng để kết nối dây đeo (dây cột). Đảm bảo kết nối dây đeo (dây cột) với phần vòng lặp kép của móc treo.

► **Hình16:** 1. Phần vòng lặp kép của móc treo 2. Dây đeo (dây cột) 3. Móc khóa hình chữ nhật có khóa (đa năng và kiểu vít xoay)



# VẬN HÀNH

**⚠ THẬN TRỌNG:** Luôn lắp hộp pin vào hết mức cho đến khi nó khóa đúng vào vị trí. Nếu bạn có thể nhìn thấy chỉ báo màu đỏ, điều đó có nghĩa là chốt vẫn chưa được khóa hoàn toàn. Lắp chốt hoàn toàn vào vị trí cho đến khi không thể nhìn thấy đèn chỉ báo màu đỏ. Nếu không, hộp pin có thể vô tình rơi ra khỏi dụng cụ, gây thương tích cho bạn hoặc người khác xung quanh.

**⚠ THẬN TRỌNG:** Khi tốc độ giảm xuống đáng kể, hãy giảm tải hoặc dừng dụng cụ để tránh làm hỏng dụng cụ.

**⚠ THẬN TRỌNG:** Cầm chắc dụng cụ khi vận hành dụng cụ.

## Cầm giữ dụng cụ

**⚠ THẬN TRỌNG:** Đây là dụng cụ tạo xung lực rất mạnh. Lực mômen lớn có thể sinh ra và điều quan trọng là phải xiết và giữ chặt máy.

Nắm lấy tay cầm bằng một tay và tay kia giữ tay cầm phía trước.

► **Hình17:** 1. Tay cầm phía trước 2. Tay nắm

Khi khoan một lỗ lớn bằng mũi khoan tự dẫn, v.v... nên sử dụng tay cầm hông (tay cầm phụ) làm giá đỡ để bảo đảm kiểm soát dụng cụ một cách an toàn.

Khi khoan về phía trước (theo chiều kim đồng hồ), cần phải giữ chặt dụng cụ để tránh phản lực theo ngược chiều kim đồng hồ khi mũi khoan bị kẹt.

► **Hình18:** 1. Phản lực 2. Về phía trước 3. Tay cầm hông

Khi khoan theo chiều ngược lại, hãy giữ chặt dụng cụ tránh phản lực theo chiều kim đồng hồ. Nếu phải rút một phần mũi khoan ra khỏi lỗ khoan, phải bảo đảm giữ chặt dụng cụ trước khi cho mũi khoan xoay ngược.

► **Hình19:** 1. Phản lực 2. Đào chiều

## Thao tác khoan

### Khoan vào gỗ

Khi khoan vào gỗ, để có kết quả tốt nhất cần sử dụng các mũi khoan dùng để khoan gỗ và vít dẫn. Vít dẫn hướng giúp khoan dễ dàng hơn bằng cách kéo đầu mũi khoan vào trong phi gia công.

### Khoan vào kim loại

Để phòng ngừa đầu mũi khoan bị trượt ra lúc bắt đầu khoan lỗ, hãy tạo một vết lõm bằng cách dùng dùi đục tâm và đóng vào điểm cần khoan. Đặt điểm đầu mũi khoan vào chỗ lõm này và bắt đầu khoan.

Sử dụng dầu nhờn để cắt khi khoan kim loại. Trừ các trường hợp dùng sắt và đồng thau cần phải được khoan khô.

**⚠ THẬN TRỌNG:** Nhấn dụng cụ quá mức sẽ không tăng tốc độ khoan lên được. Trên thực tế, việc nhấn mạnh thêm vào sẽ chỉ gây hỏng đầu mũi khoan của bạn, làm giảm hiệu năng và tuổi thọ hoạt động của dụng cụ.

**⚠ THẬN TRỌNG:** Giữ chặt dụng cụ và chuẩn bị ghim lực quán tính lại khi mũi khoan xuyên thủng phi gia công. Sẽ có lực quán tính rất lớn tác động lên dụng cụ/đầu mũi khoan khi lỗ khoan được xuyên thủng.

**⚠ THẬN TRỌNG:** Đầu mũi khoan bị kẹt có thể được tháo ra đơn giản bằng cách đặt công tắc đảo chiều sang chế độ xoay ngược lại để rút mũi khoan ra. Tuy nhiên, dụng cụ có thể quay ngược ra bất ngờ nếu bạn không giữ chặt.

**⚠ THẬN TRỌNG:** Luôn luôn giữ chặt các phi gia công bằng kim hoặc dụng cụ kẹp tương tự.

**⚠ THẬN TRỌNG:** Tránh khoan vào vật liệu mà bạn nghi ngờ có chứa đinh ngầm hoặc những thứ khác có thể làm kẹt hoặc gây đầu mũi khoan.

**⚠ THẬN TRỌNG:** Nếu vận hành dụng cụ liên tục cho đến khi hộp pin bị xả kiệt, hãy dừng dụng cụ khoảng 15 trước khi tiếp tục bằng pin mới.

## Kết nối dây đeo (dây cột)

**⚠ Cảnh báo an toàn chỉ định để sử dụng ở vị trí cao**  
Đọc tất cả các cảnh báo an toàn và hướng dẫn. Việc không tuân theo các cảnh báo và hướng dẫn có thể dẫn đến các chấn thương nghiêm trọng.

1. Luôn giữ dụng cụ được cột chặt khi làm việc “ở vị trí cao”. Chiều dài dây đeo tối đa là 2 m (6,5 ft).  
Chiều cao rơi tối đa cho phép đối với dây đeo (dây cột) không được vượt quá 2 m (6,5 ft).
2. Chỉ sử dụng với dây đeo thích hợp cho loại dụng cụ này và được định mức ít nhất 8,0 kg (17,6 lbs).
3. Không cột dây đeo của dụng cụ vào bất cứ bộ phận nào trên cơ thể bạn hoặc các bộ phận chuyển động. Cột dây đeo dụng cụ vào một cấu trúc chắc chắn có thể chịu được lực của dụng cụ bị rơi.
4. Đảm bảo dây đeo được cố định đúng cách ở mỗi đầu trước khi sử dụng.
5. Kiểm tra dụng cụ và dây đeo trước mỗi lần sử dụng xem có hư hỏng không và có đúng chức năng không (kể cả vai và đường khâu). Không sử dụng nếu có hư hỏng hoặc không hoạt động đúng cách.
6. Không quấn dây đeo quanh hoặc để dây đeo tiếp xúc với các cạnh sắc hoặc thô ráp.
7. Gắn chặt đầu còn lại của dây đeo bên ngoài khu vực làm việc sao cho dụng cụ rơi xuống được giữ cố định.
8. Gắn dây đeo sao cho dụng cụ di chuyển ra xa người vận hành nếu dụng cụ rơi xuống. Dụng cụ bị rơi sẽ quay trên dây đeo, có thể gây thương tích hoặc mất thăng bằng.
9. Không sử dụng gần các bộ phận đang chuyển động hoặc máy móc đang chạy. Nếu không làm như vậy có thể dẫn đến bị ép hoặc bị vướng.



10. Không mang dụng cụ đi bằng thiết bị phụ tùng hoặc dây đeo.
11. Chỉ chuyển dụng cụ qua lại trong tay của bạn khi bạn thực sự thẳng bằng.
12. Không gắn dây đeo vào dụng cụ theo cách khiến các phần bảo vệ, các công tắc hoặc bộ phận nhà khóa không hoạt động bình thường.
13. Tránh bị rối bởi dây đeo.
14. Giữ dây đeo tránh xa khu vực cắt của dụng cụ.
15. Sử dụng các móc khóa đa năng và móc khóa kiểu vít xoay. Không sử dụng các móc khóa có kẹp lò xo tự khóa.
16. Trong trường hợp dụng cụ bị rơi, dụng cụ đó phải được gắn thẻ và ngưng sử dụng, và nên đưa đến Trung tâm dịch vụ được ủy quyền hoặc Nhà máy Makita để kiểm tra.

## BẢO TRÌ

**⚠ THẬN TRỌNG:** Hãy luôn chắc chắn rằng dụng cụ đã được tắt và hộp pin đã được tháo ra trước khi cố gắng thực hiện việc kiểm tra hay bảo dưỡng.

**CHÚ Ý:** Không được phép dùng xăng, ết xăng, dung môi, cồn hoặc hóa chất tương tự. Có thể xảy ra hiện tượng mất màu, biến dạng hoặc nứt vỡ.

Để đảm bảo ĐỘ AN TOÀN và ĐỘ TIN CẬY của sản phẩm, việc sửa chữa hoặc bất cứ thao tác bảo trì, điều chỉnh nào đều phải được thực hiện bởi các Trung tâm Dịch vụ Nhà máy hoặc Trung tâm được Makita Ủy quyền và luôn sử dụng các phụ tùng thiết bị thay thế của Makita.

## PHỤ KIỆN TỰ CHỌN

**⚠ THẬN TRỌNG:** Các phụ kiện hoặc phụ tùng gắn thêm này được khuyến cáo sử dụng với dụng cụ Makita của bạn theo như quy định trong hướng dẫn này. Việc sử dụng bất cứ phụ kiện hoặc phụ tùng gắn thêm nào khác đều có thể gây ra rủi ro thương tích cho người. Chỉ sử dụng phụ kiện hoặc phụ tùng gắn thêm cho mục đích đã quy định sẵn của chúng.

Nếu bạn cần bất kỳ sự hỗ trợ nào để biết thêm chi tiết về các phụ tùng này, hãy hỏi Trung tâm Dịch vụ của Makita tại địa phương của bạn.

- Các mũi khoan
- Tay cầm hồng
- Pin và bộ sạc chính hãng của Makita

**LƯU Ý:** Một số mục trong danh sách có thể được bao gồm trong gói dụng cụ làm phụ kiện tiêu chuẩn. Các mục này ở mỗi quốc gia có thể khác nhau.

## ข้อมูลจำเพาะ

รุ่น:	DA001G	
ความเร็วเฟือง	สูง	ต่ำ
ความสามารถในการเจาะ (เส้นผ่านศูนย์กลาง)	13 mm	
โลหะ		
ไม้	ดอกสว่าน: 50 mm แท่งดอกสว่าน: 65 mm เลื่อยเจาะรู: 105 mm	ดอกสว่าน: 50 mm แท่งดอกสว่าน: 118 mm เลื่อยเจาะรู: 159 mm
ความเร็วหมุนเปล่า	0 - 1,500 min <sup>-1</sup>	0 - 400 min <sup>-1</sup>
ความยาวโดยรวม (รวมด้ามแบตเตอรี่ BL4040) *รวมมือจับด้านหน้าที่ยื่นออกมา	545 mm * 614 mm	
แรงดันไฟฟ้าสูงสุด	D.C. 36 V - 40 V สูงสุด	
น้ำหนักสุทธิ	5.6 - 6.2 kg	

- เนื่องจากการค้นคว้าวิจัยและพัฒนาอย่างต่อเนื่อง ข้อมูลจำเพาะในเอกสารฉบับนี้อาจเปลี่ยนแปลงได้โดยไม่ต้องแจ้งให้ทราบล่วงหน้า
- ข้อมูลจำเพาะอาจแตกต่างกันไปในแต่ละประเทศ
- น้ำหนักอาจแตกต่างกันไปตามอุปกรณ์เสริม รวมถึงด้ามแบตเตอรี่ การติดอุปกรณ์เสริมที่เบาที่สุดและหนักที่สุดตามข้อบังคับของ EPTA 01/2014 มีแสดงอยู่ในตาราง

### ด้ามแบตเตอรี่และเครื่องชาร์จที่ใช้ได้

ด้ามแบตเตอรี่	BL4020 / BL4025* / BL4040* / BL4050F* * : แบตเตอรี่ที่แนะนำ
เครื่องชาร์จ	DC40RA / DC40RB / DC40RC

- ด้ามแบตเตอรี่และเครื่องชาร์จบางรายการที่แสดงอยู่ด้านบนอาจไม่มีวางจำหน่ายขึ้นอยู่กับภูมิภาคที่คุณอาศัยอยู่

**คำเตือน:** ใช้ด้ามแบตเตอรี่และเครื่องชาร์จที่ระบุไว้ข้างบนเท่านั้น การใช้ด้ามแบตเตอรี่และเครื่องชาร์จประเภทอื่นอาจก่อให้เกิดความเสี่ยงที่จะได้รับบาดเจ็บและ/หรือเกิดไฟไหม้

### สัญลักษณ์

ต่อไปนี้เป็นสัญลักษณ์ที่อาจใช้สำหรับอุปกรณ์ โปรดศึกษาความหมายของสัญลักษณ์ให้เข้าใจก่อนการใช้งาน



อ่านคู่มือการใช้งาน



Ni-MH  
Li-ion

สำหรับประเทศในสหภาพยุโรปเท่านั้น ห้ามทั้งอุปกรณ์ไฟฟ้าหรือชุดแบตเตอรี่รวมกับขยะครัวเรือนทั่วไป!

เพื่อให้เป็นไปตามกฎระเบียบของยุโรปเกี่ยวกับขยะจำพวกอุปกรณ์ไฟฟ้าและอิเล็กทรอนิกส์ และขยะจำพวกแบตเตอรี่และหม้อสะสมไฟฟ้า และการปฏิบัติตามกฎหมายในประเทศ ต้องเก็บอุปกรณ์ไฟฟ้าและแบตเตอรี่และชุดแบตเตอรี่ที่หมดอายุการใช้งานแล้วแยกต่างหาก และส่งกลับไปยังศูนย์รีไซเคิลที่เป็นมิตรต่อสิ่งแวดล้อม

## จุดประสงค์การใช้งาน

เครื่องมือนี้ใช้สำหรับเจาะไม้ โลหะ และพลาสติก

## คำเตือนด้านความปลอดภัย

### คำเตือนด้านความปลอดภัยของเครื่องมือไฟฟ้าทั่วไป

**คำเตือน:** โปรดอ่านคำเตือนด้านความปลอดภัย คำแนะนำ ภาพประกอบ และข้อมูลจำเพาะต่างๆ ที่หามา กับเครื่องมือไฟฟ้านี้อย่างละเอียด การไม่ปฏิบัติตามคำแนะนำดังต่อไปนี้ อาจส่งผลให้เกิดไฟฟ้าช็อต ไฟไหม้ และ/หรือได้รับบาดเจ็บอย่างร้ายแรงได้

## เก็บรักษาคำเตือนและคำแนะนำทั้งหมดไว้

### เป็นข้อมูลอ้างอิงในอนาคต

คำว่า “เครื่องมือไฟฟ้า” ในคำเตือนนี้หมายถึงเครื่องมือไฟฟ้า (มีสาย) ที่ทำงานโดยใช้กระแสไฟฟ้าหรือเครื่องมือไฟฟ้า (ไร้สาย) ที่ทำงานโดยใช้แบตเตอรี่

### ความปลอดภัยของพื้นที่ทำงาน

1. ดูแลพื้นที่ทำงานให้มีความสะอาดและมีแสงไฟสว่าง พื้นที่รกกระเกะกระริดหรือมืดทึบอาจนำไปสู่การเกิดอุบัติเหตุได้
2. อย่าใช้งานเครื่องมือไฟฟ้าในสภาพที่อาจเกิดการระเบิด เช่น ในสถานที่ที่มีของเหลว ก๊าซ หรือฝุ่นผงที่มีคุณสมบัติไวไฟ เครื่องมือไฟฟ้าอาจสร้างประกายไฟและจุดชนวนฝุ่นผงหรือก๊าซดังกล่าว
3. ดูแลไม่ให้มีเด็ก หรือบุคคลอื่นอยู่ในบริเวณที่กำลังใช้เครื่องมือไฟฟ้า การมีสิ่งรบกวนสมาธิอาจทำให้คุณสูญเสียการควบคุม

### ความปลอดภัยด้านไฟฟ้า

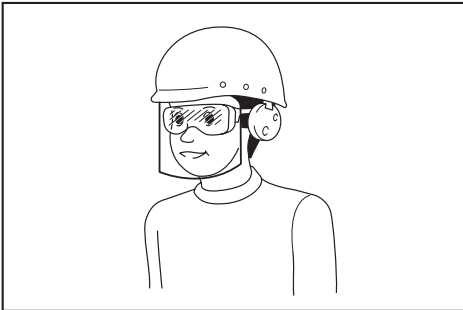
1. ปลั๊กของเครื่องมือไฟฟ้าต้องพอดีกับเต้ารับ อย่าดัดแปลงปลั๊กไม่ว่ากรณีใดๆ อย่าใช้ปลั๊กอะแดปเตอร์กับเครื่องมือไฟฟ้าที่ต่อสายดิน ปลั๊กที่ไม่ถูกดัดแปลงและเต้ารับที่เข้ากันพอดีจะช่วยลดความเสี่ยงของการเกิดไฟฟ้าช็อต
2. ระมัดระวังให้ร่างกายสัมผัสกับพื้นผิวที่ต่อสายดิน เช่น ท่อ เครื่องนำความร้อน เตาหุงต้ม และตู้เย็น มีความเสี่ยงที่จะเกิดไฟฟ้าช็อตสูงขึ้น หากร่างกายของคุณสัมผัสกับพื้น
3. อย่าให้เครื่องมือไฟฟ้าถูกน้ำหรืออยู่ในสภาพเปียกชื้น น้ำที่ไหลเข้าไปในเครื่องมือไฟฟ้าจะเพิ่มความเสี่ยงของการเกิดไฟฟ้าช็อต

4. อย่าใช้สายไฟอย่างไม่เหมาะสม อย่าใช้สายไฟเพื่อยก ดึง หรือถอดปลั๊กเครื่องมือไฟฟ้า เก็บสายไฟให้ห่างจากความร้อน น้ำมัน ของมีคม หรือชิ้นส่วนที่เคลื่อนที่ สายที่ชำรุดหรือพันกันจะเพิ่มความเสี่ยงของการเกิดไฟฟ้าช็อต
5. ขณะที่ใช้งานเครื่องมือไฟฟ้านอกอาคาร ควรใช้สายต่อพ่วงที่เหมาะสมกับงานภายนอกอาคาร การใช้งานที่เหมาะสมกับงานภายนอกอาคารจะลดความเสี่ยงของการเกิดไฟฟ้าช็อต
6. หากต้องใช้งานเครื่องมือไฟฟ้าในสถานที่เปียกชื้น ให้ใช้อุปกรณ์ป้องกันกระแสไฟรั่ว (RCD) การใช้ RCD จะลดความเสี่ยงของการเกิดไฟฟ้าช็อต
7. เครื่องมือไฟฟ้าอาจสร้างสนามแม่เหล็ก (EMF) ที่ไม่เป็นอันตรายต่อผู้ใช้ อย่างไรก็ตาม ผู้ใช้ที่ใส่เครื่องกระตุ้นหัวใจและอุปกรณ์ทางการแพทย์ที่คล้ายกันนี้ ควรติดต่อผู้ผลิตรายการและ/หรือแพทย์เพื่อรับคำแนะนำก่อนใช้งานเครื่องมือไฟฟ้า

### ความปลอดภัยส่วนบุคคล

1. ให้ระมัดระวังและมึสติอยู่เสมอขณะใช้งานเครื่องมือไฟฟ้า อย่าใช้งานเครื่องมือไฟฟ้าในขณะที่ดื่มแอลกอฮอล์ เหนื่อย หรือในสภาพที่มึนเมาจากยาเสพติด เครื่องดื่ม แอลกอฮอล์ หรือการไช้ยา ช่วงเวลาที่ขาดความระมัดระวังเมื่อกำลังใช้งานเครื่องมือไฟฟ้าอาจทำให้ได้รับบาดเจ็บร้ายแรง
2. ใช้อุปกรณ์ป้องกันส่วนบุคคล สวมแว่นตาป้องกันเสมอ อุปกรณ์ป้องกัน เช่น หมวกกันน็อก รองเท้านิรภัย กันลื่น หมวกนิรภัย หรือเครื่องป้องกันการได้ยินที่ใช้ในสภาพที่เหมาะสมจะช่วยลดการบาดเจ็บ
3. ป้องกันไม่ให้เกิดการเปิดใช้งานโดยไม่ตั้งใจ ตรวจสอบให้แน่ใจว่าสวิตช์ปิดอยู่ก่อนที่จะเชื่อมต่อกับแหล่งจ่ายไฟ และ/หรือชุดแบตเตอรี่ รวมทั้งตรวจสอบก่อนการยกหรือเคลื่อนย้ายเครื่องมือ การสอดนิ้วมือบริเวณสวิตช์เพื่อถือเครื่องมือไฟฟ้า หรือการชาร์จไฟเครื่องมือไฟฟ้าในขณะที่เปิดสวิตช์อยู่อาจนำไปสู่การเกิดอุบัติเหตุ
4. นำคู่มือฉบับปรับปรุงหรือประจำออกก่อนที่จะเปิดเครื่องมือไฟฟ้า ประแจหรือคู่มือที่เสียบค้ำอยู่ในชิ้นส่วนที่หมุนได้ของเครื่องมือไฟฟ้าอาจทำให้ได้รับบาดเจ็บ
5. อย่าทำงานในระบะที่มืดอึม จัดทำการยืนและการทรงตัวให้เหมาะสมตลอดเวลา เพราะจะทำให้ควบคุมเครื่องมือไฟฟ้าได้ดีขึ้นในสถานการณ์ที่ไม่คาดคิด

6. แต่งกายให้เหมาะสม อย่าสวมเครื่องแต่งกายที่หลวมเกินไป หรือสวมเครื่องประดับ ดูแลไม่ให้เส้นผมและเสื้อผ้าอยู่ใกล้ชิ้นส่วนที่เคลื่อนที่ เสื้อผ้ารุ่มร่าม เครื่องประดับ หรือผมที่มีความยาวอาจเข้าไปติดในชิ้นส่วนที่เคลื่อนที่
7. หากมีการจัดอุปกรณ์สำหรับดูดและจัดเก็บฝุ่นไว้ในสถานที่ ให้ตรวจสอบว่าได้เชื่อมต่อและใช้งานอุปกรณ์นั้นอย่างเหมาะสม การใช้เครื่องดูดและจัดเก็บฝุ่นจะช่วยลดอันตรายที่เกิดจากฝุ่นผงได้
8. อย่าให้ความดันเคยจากการใช้งานเครื่องมือเป็นประจำทำให้คุณทำตัวตามสบายและละเลยหลักการเพื่อความปลอดภัยในการใช้เครื่องมือ การกระทำที่ไม่ระมัดระวังอาจทำให้เกิดการบาดเจ็บร้ายแรงภายในเสี้ยววินาที
9. สวมใส่แว่นครอบตาที่รับภัยเพื่อปกป้องดวงตาของคุณจากการบาดเจ็บเมื่อใช้เครื่องมือไฟฟ้า แว่นครอบตาจะต้องได้มาตรฐาน ANSI Z87.1 ในสหรัฐอเมริกา, EN 166 ในยุโรป หรือ AS/NZS 1336 ในออสเตรเลีย/นิวซีแลนด์ ในออสเตรเลีย/นิวซีแลนด์ จะต้องสวมเกราะป้องกันใบหน้าเพื่อปกป้องใบหน้าของคุณอย่างถูกต้องตามกฎหมายด้วย



ผู้ว่าจ้างมีหน้าที่รับผิดชอบในการบังคับผู้ใช้งานเครื่องมือและบุคคลอื่นๆ ที่อยู่ในบริเวณที่ปฏิบัติงานให้ใช้อุปกรณ์ป้องกันที่เหมาะสม

#### การใช้และดูแลเครื่องมือไฟฟ้า

1. อย่าฝืนใช้เครื่องมือไฟฟ้า ใช้เครื่องมือไฟฟ้าที่เหมาะสมกับการใช้งานของคุณ เครื่องมือไฟฟ้าที่เหมาะสมจะทำให้ได้งานที่มีประสิทธิภาพและปลอดภัยกว่าตามขีดความสามารถของเครื่องที่ได้รับการออกแบบมา
2. อย่าใช้เครื่องมือไฟฟ้า หากสวิตช์ไม่สามารถเปิดปิดได้ เครื่องมือไฟฟ้าที่ควบคุมด้วยสวิตช์ไม่ได้เป็นสิ่งอันตรายและต้องได้รับการซ่อมแซม

3. ถอดปลั๊กจากแหล่งจ่ายไฟ และ/หรือชุดแบตเตอรี่ออกจากเครื่องมือไฟฟ้าก่อนทำการปรับตั้ง เปลี่ยนอุปกรณ์เสริม หรือจัดเก็บเครื่องมือไฟฟ้า วิธีการป้องกันด้านความปลอดภัยดังกล่าวจะช่วยลดความเสี่ยงในการเปิดใช้งานเครื่องมือไฟฟ้าโดยไม่ตั้งใจ
4. จัดเก็บเครื่องมือไฟฟ้าที่ไม่ได้ใช้งานให้ห่างจากมือเด็ก และอย่าอนุญาตให้บุคคลที่ไม่คุ้นเคยกับเครื่องมือไฟฟ้าหรือคำแนะนำเหล่านี้ใช้งานเครื่องมือไฟฟ้า เครื่องมือไฟฟ้าจะเป็นอันตรายเมื่ออยู่ในมือของผู้ที่ไม่ได้รับการฝึกอบรม
5. บำรุงรักษาเครื่องมือไฟฟ้าและอุปกรณ์เสริม ตรวจสอบการประกอบที่ไม่ถูกต้องหรือการเชื่อมต่อของชิ้นส่วนที่เคลื่อนที่ การแตกหักของชิ้นส่วน หรือสภาพอื่นๆ ที่อาจส่งผลกระทบต่อการทำงานของเครื่องมือไฟฟ้า หากมีความเสียหาย ให้นำเครื่องมือไฟฟ้าไปซ่อมแซมก่อนการใช้งาน อุบัติเหตุจำนวนมากเกิดจากการดูแลรักษาเครื่องมือไฟฟ้าอย่างไม่ถูกต้อง
6. ทำความสะอาดเครื่องมือตัดและลับให้คมอยู่เสมอ เครื่องมือการตัดที่มีการดูแลอย่างถูกต้องและมีขอบการตัดคมมักจะมีปัญหาติดขัดน้อยและควบคุมได้ง่ายกว่า
7. ใช้เครื่องมือไฟฟ้า อุปกรณ์เสริม และวัสดุสิ้นเปลือง ฯลฯ ตามคำแนะนำดังกล่าว พิจารณาสภาพการทำงานและงานที่จะลงมือทำ การใช้เครื่องมือไฟฟ้าเพื่อทำงานอื่นนอกเหนือจากที่กำหนดไว้อาจทำให้เกิดอันตราย
8. ดูแลมือจับและบริเวณมือจับให้แห้ง สะอาด และไม่มีน้ำมันและจาระบีเปื้อน มือจับและบริเวณมือจับที่ลื่นจะทำให้ไม่สามารถจับและควบคุมเครื่องมือได้อย่างปลอดภัยในสถานการณ์ที่ไม่คาดคิด
9. ขณะใช้งานเครื่องมือ อย่าสวมใส่ถุงมือผ้าที่อาจเข้าไปติดในเครื่องมือได้ หากถุงมือผ้าเข้าไปติดในชิ้นส่วนที่กำลังเคลื่อนที่ที่อยู่อาจทำให้ได้รับบาดเจ็บ

#### การใช้งานและดูแลเครื่องมือที่ใช้แบตเตอรี่

1. ชาร์จไฟใหม่ด้วยเครื่องชาร์จที่ระบุโดยผู้ผลิตเท่านั้น เครื่องชาร์จที่เหมาะสมสำหรับชุดแบตเตอรี่ประเภทนี้อาจเสี่ยงที่จะเกิดไฟไหม้หากนำไปใช้กับชุดแบตเตอรี่อีกประเภทหนึ่ง
2. ใช้เครื่องมือไฟฟ้ากับชุดแบตเตอรี่ที่กำหนดมาโดยเฉพาะเท่านั้น การใช้ชุดแบตเตอรี่ประเภทนี้อาจทำให้เสี่ยงที่จะได้รับบาดเจ็บและเกิดไฟไหม้

- เมื่อไม่ใช้งานชุดแบตเตอรี่ ให้เก็บห่างจากวัตถุที่เป็นโลหะอื่นๆ เช่น คลิปหนีบกระดาษ เหรียญ กุญแจ กรรไกรตัดเล็บ สกรู หรือวัตถุที่เป็นโลหะขนาดเล็กอื่นๆ ที่สามารถเชื่อมต่อชั่วคราวหนึ่งกับอีกชั่วคราวหนึ่งได้ การลัดวงจรขั้วแบตเตอรี่อาจทำให้ร้อนจัดหรือเกิดไฟไหม้
- ในกรณีที่ใช้งานไม่ถูกต้อง อาจมีของเหลวไหลออกจากแบตเตอรี่ ให้หลีกเลี่ยงการสัมผัส หากสัมผัสโดนของเหลวโดยไม่ตั้งใจ ให้ล้างออกด้วยน้ำ หากของเหลวกระเด็นเข้าตา ให้รีบไปพบแพทย์ ของเหลวที่ไหลออกจากแบตเตอรี่อาจทำให้ผิวหนังระคายเคืองหรือไหม้
- ห้ามใช้ชุดแบตเตอรี่หรือเครื่องมือที่ชำรุดหรือมีการแก้ไข แบตเตอรี่ที่เสียหายหรือมีการแก้ไขอาจทำให้เกิดสิ่งที่ไม่ถึงได้ เช่น ไฟไหม้ ระเบิด หรือเสี่ยงต่อการบาดเจ็บ
- ห้ามให้ชุดแบตเตอรี่อยู่ใกล้ไฟ หรือบริเวณที่มีอุณหภูมิสูงเกิน หากโดนไฟ หรืออุณหภูมิสูงเกิน 130 °C อาจก่อให้เกิดการระเบิดได้
- กรุณาปฏิบัติตามคำแนะนำสำหรับการชาร์จไฟ และห้ามชาร์จแบตเตอรี่หรือเครื่องมือในบริเวณที่มีอุณหภูมินอกเหนือไปจากที่ระบุในคำแนะนำ การชาร์จไฟที่ไม่เหมาะสม หรืออุณหภูมินอกเหนือไปจากช่วงอุณหภูมิที่ระบุในคำแนะนำอาจทำให้แบตเตอรี่เสียหายและเป็นการเพิ่มความเสี่ยงในการเกิดไฟไหม้

#### การซ่อมบำรุง

- นำเครื่องมือไฟฟ้าเข้ารับบริการจากช่างซ่อมที่ผ่านการรับรองโดยใช้อะไหล่แบบเดียวกันเท่านั้น เพราะจะทำให้การใช้เครื่องมือไฟฟ้ามีความปลอดภัย
- ห้ามใช้ชุดแบตเตอรี่ที่เสียหาย ชุดแบตเตอรี่ที่ใช้ควรเป็นชุดที่มาจากผู้ผลิต หรือผู้ให้บริการที่ได้รับอนุญาตเท่านั้น
- ปฏิบัติตามคำแนะนำในการเคลื่อนย้ายและการเปลี่ยนอุปกรณ์เสริม

### คำเตือนด้านความปลอดภัยของส่วนไฟฟ้าแบบไร้สาย

#### คำแนะนำด้านความปลอดภัยสำหรับการทำงานทั้งหมด

- ใช้ที่จับเสริม การสูญเสียการควบคุมอาจทำให้ได้รับบาดเจ็บได้
- จัดวางเครื่องมือให้เหมาะสมก่อนใช้งาน เครื่องมือนี้ทำให้เกิดแรงบิดเอาต์พุตสูง และการไม่จัดวางเครื่องมืออย่างเหมาะสมในระหว่างการใช้งานอาจทำให้เกิดการสูญเสียการควบคุมและทำให้ได้รับบาดเจ็บ

- จับเครื่องมือไฟฟ้าที่พื้นผิวมือจับที่มีฉนวนหุ้มเมื่อใช้งานในที่ที่อุปกรณ์เสริมสำหรับตัดอาจสัมผัสกับสายไฟที่ซ่อนอยู่ อุปกรณ์ตัดที่สัมผัสกับสายไฟที่ "มีกระแสไฟฟ้าไหลผ่าน" อาจทำให้ชิ้นส่วนโลหะของเครื่องมือไฟฟ้า "มีกระแสไฟฟ้าไหลผ่าน" และทำให้ผู้ใช้งานถูกไฟฟ้าช็อตได้
- ตรวจสอบให้แน่ใจว่าได้ยึดอย่างมั่นคง หากใช้งานเครื่องมือในพื้นที่สูง ระวังอย่าให้มืออยู่ด้านล่าง
- จับเครื่องมือให้แน่น
- ระวังอย่าให้มือสัมผัสกับชิ้นส่วนที่หมุนได้
- อย่าปล่อยให้เครื่องมือทำงานค้างไว้ ใช้งานเครื่องมือในขณะที่ถืออยู่เท่านั้น
- ห้ามสัมผัสกับดอกสว่านหรือชิ้นงานทันทีที่ทำงานเสร็จ เนื่องจากดอกสว่านหรือชิ้นงานอาจมีความร้อนสูงและลวกผิวหนังของคุณได้
- วัสดุบางอย่างอาจมีสารเคมีที่เป็นพิษ ระวังอย่าสูดดมฝุ่นหรือสัมผัสกับผิวหนัง ปฏิบัติตามข้อมูลด้านความปลอดภัยของผู้ผลิตวัสดุ
- หากดอกสว่านไม่คลายออกแม้คุณจะเป็นที่ปิดฟันของหัวจับแล้ว ให้ใช้คีมดึงออก ในกรณีดังกล่าว การดึงดอกสว่านด้วยมืออาจทำให้ได้รับบาดเจ็บจากขอบที่คมของดอกสว่านได้
- หากเครื่องมือมีความผิดปกติ เช่น เสียงดังผิดปกติ ให้หยุดใช้งานและสอบถามศูนย์บริการ Makita สำหรับการซ่อมแซม
- ก่อนใช้งาน ตรวจสอบให้แน่ใจว่าไม่มีวัตถุใดๆ ฝังอยู่ เช่น ท่อไฟฟ้า ท่อน้ำ หรือท่อแก๊สในดิน ไม่เช่นนั้น เครื่องมืออาจสัมผัสกับวัตถุที่ฝังอยู่ซึ่งจะส่งผลให้เกิดไฟฟ้าช็อต ไฟรั่ว หรือแก๊สรั่วได้

#### คำแนะนำด้านความปลอดภัยเมื่อใช้ดอกสว่านแบบยาว

- ห้ามใช้งานที่ความเร็วสูงกว่าระดับความเร็วสูงสุดของดอกสว่าน ที่ความเร็วสูงดอกจะมีแนวโน้มที่จะโค้งงอ หากถูกทำให้หมุนได้อย่างอิสระโดยไม่ได้สัมผัสชิ้นงาน ซึ่งจะทำให้ได้รับบาดเจ็บได้
- เริ่มการเจาะที่ความเร็วต่ำและให้ปลายของดอกสัมผัสกับชิ้นงานเสมอ ที่ความเร็วสูงดอกจะมีแนวโน้มที่จะโค้งงอหากถูกทำให้หมุนได้อย่างอิสระโดยไม่ได้สัมผัสชิ้นงาน ซึ่งจะทำให้ได้รับบาดเจ็บได้
- ใช้แรงกดในทิศทางตรงกับดอกเท่านั้นและอย่าใช้แรงกดมากเกินไป ดอกอาจงอได้ ซึ่งเป็นสาเหตุที่ทำให้เกิดการแตกหรือสูญเสียการควบคุม ส่งผลให้เกิดการบาดเจ็บได้

### ปฏิบัติตามคำแนะนำเหล่านี้

**คำเตือน:** อย่าให้ความไม่ระมัดระวังหรือความคุ้นเคยกับผลิตภัณฑ์ (จากการใช้งานซ้ำหลายครั้ง) อยู่เหนือการปฏิบัติตามกฎเกณฑ์ด้านความปลอดภัยในการใช้งานผลิตภัณฑ์อย่างเคร่งครัด การใช้งานอย่างไม่เหมาะสมหรือการไม่ปฏิบัติตามกฎเกณฑ์ด้านความปลอดภัยในคู่มือการใช้งานนี้อาจทำให้ได้รับบาดเจ็บร้ายแรง

## คำแนะนำเพื่อความปลอดภัยที่สำคัญสำหรับดัลล์แบตเตอรี่

- ก่อนใช้งานดัลล์แบตเตอรี่ให้อ่านคำแนะนำและเครื่องหมายเตือนทั้งหมดบน (1) เครื่องชาร์จแบตเตอรี่ (2) แบตเตอรี่ และ (3) ตัวผลิตภัณฑ์ที่ใช้แบตเตอรี่
- อย่าถอดแยกชิ้นส่วนหรือทำการดัดแปลงดัลล์แบตเตอรี่ เนื่องจากอาจทำให้เกิดไฟไหม้ ความร้อนที่สูงเกินไป หรือระเบิดได้
- หากระยะเวลาที่เครื่องทำงานสั้นเกินไป ให้หยุดใช้งานทันที เนื่องจากอาจมีความเสี่ยงที่จะร้อนจัดไหม้หรือระเบิดได้
- หากสารละลายอิเล็กโทรไลต์กระเด็นเข้าตา ให้ล้างออกด้วยน้ำเปล่าและรีบไปพบแพทย์ทันที เนื่องจากอาจทำให้ตาบอด
- ห้ามลัดวงจรดัลล์แบตเตอรี่:
  - ห้ามแตะขั้วกับวัตถุที่เป็นสื่อนำไฟฟ้าใดๆ
  - หลีกเลี่ยงการเก็บดัลล์แบตเตอรี่ไว้ในภาชนะร่วมกับวัตถุที่เป็นโลหะ เช่น กรรไกรตัดเล็บ เหรียญ ฯลฯ
  - อย่าให้ดัลล์แบตเตอรี่ถูกน้ำหรือฝน แบตเตอรี่ลัดวงจรอาจทำให้เกิดการไหลของกระแสไฟฟ้า ร้อนจัดไหม้หรือเสียหายได้
- ห้ามเก็บและใช้เครื่องมือและดัลล์แบตเตอรี่ไว้ในสถานที่ที่มีอุณหภูมิสูงถึงหรือเกิน 50 °C (122 °F)
- ห้ามเผาดัลล์แบตเตอรี่ทิ้ง แม้ว่าแบตเตอรี่จะเสียหายจนใช้การไม่ได้หรือเสื่อมสภาพแล้ว ดัลล์แบตเตอรี่อาจจะระเบิดในกองไฟ
- อย่าดองตะปู ตัด บด ขั้ว หรือทำดัลล์แบตเตอรี่หล่นพื้น หรือกระแทกดัลล์แบตเตอรี่กับวัตถุของแข็ง การกระทำดังกล่าวอาจส่งผลให้เกิดไฟไหม้ ความร้อนที่สูงเกินไป หรือระเบิดได้
- ห้ามใช้แบตเตอรี่ที่เสียหาย

- แบตเตอรี่ลิเทียมไอออนที่มีมาให้มาเป็นไปตามข้อกำหนดของ Dangerous Goods Legislation สำหรับการขนส่งเพื่อการพาณิชย์ เช่น โดยบุคคลที่สาม ตัวแทนขนส่งสินค้า จะต้องตรวจสอบข้อกำหนดพิเศษในด้านการบรรจุหีบห่อหรือการติดป้ายสินค้าในการเตรียมสินค้าที่จะขนส่ง ให้ปรึกษาผู้เชี่ยวชาญด้านวัตถุอันตราย โปรดตรวจสอบข้อกำหนดในประเทศที่อาจมีรายละเอียดอื่น ๆ เพิ่มเติม ให้ติดเทปหรือปิดหน้าสัมผัสและห่อแบตเตอรี่ในลักษณะที่แบตเตอรี่จะไม่เคลื่อนที่ไปมาในหีบห่อ
- เมื่อกำจัดดัลล์แบตเตอรี่ ให้ถอดดัลล์แบตเตอรี่ออกจากเครื่องมือและกำจัดในสถานที่ที่ปลอดภัย ปฏิบัติตามข้อบังคับในท้องถิ่นที่เกี่ยวกับการกำจัดแบตเตอรี่
- ใช้แบตเตอรี่กับผลิตภัณฑ์ที่ระบุโดย Makita เท่านั้น การติดตั้งแบตเตอรี่ในผลิตภัณฑ์ที่ไม่ใช่ตามที่ระบุอาจทำให้เกิดไฟไหม้ ความร้อนสูง ระเบิด หรืออิเล็กทรอนิกส์ที่ไวต่อไฟฟ้าสถิต
- หากไม่ใช่เครื่องมือเป็นระยะเวลานาน จะต้องถอดแบตเตอรี่ออกจากเครื่องมือ
- ในระหว่างและหลังการใช้งาน ดัลล์แบตเตอรี่อาจร้อนซึ่งอาจลวกผิวหนังหรือทำให้ผิวหนังไหม้ที่อุณหภูมิต่ำได้ โปรดระมัดระวังในการจัดการกับแบตเตอรี่ที่ร้อน
- อย่าสัมผัสขั้วของเครื่องมือทันทีหลังจากการใช้งาน เนื่องจากอาจมีความร้อนพอที่จะทำให้ผิวหนังไหม้ได้
- อย่าปล่อยให้เศษวัสดุ ฝุ่นผง หรือดินเข้าไปติดอยู่ในขั้ว รู และร่องของดัลล์แบตเตอรี่ เนื่องจากอาจทำให้เครื่องมือหรือดัลล์แบตเตอรี่มีประสิทธิภาพลดลงหรือเสียหายได้
- หากเครื่องมือไม่รองรับสายไฟแรงดันสูง อย่าใช้ดัลล์แบตเตอรี่ใกล้กับสายไฟแรงดันสูง เนื่องจากเครื่องมือหรือดัลล์แบตเตอรี่อาจทำงานผิดปกติหรือเสียหายได้
- เก็บแบตเตอรี่ให้ห่างจากเด็ก

## ปฏิบัติตามคำแนะนำเหล่านี้

**ข้อควรระวัง:** ใช้แบตเตอรี่ของแท้จาก Makita เท่านั้น การใช้แบตเตอรี่ Makita ที่ไม่แท้ หรือแบตเตอรี่ที่ถูกเปลี่ยน อาจทำให้แบตเตอรี่ระเบิด ก่อให้เกิดเพลิงลุกไหม้ การบาดเจ็บ และความเสียหายได้ และจะทำให้การรับประกันของ Makita สำหรับเครื่องมือและแท่นชาร์จของ Makita เป็นโมฆะด้วย

## เคล็ดลับในการรักษาอายุการใช้งานของแบตเตอรี่ให้ยาวนานที่สุด

1. ชาร์จตัวแบตเตอรี่ก่อนที่ไฟจะหมด หยุดการใช้งานแล้วชาร์จประจุไฟฟ้าใหม่ทุกครั้งเมื่อคุณรู้สึกว่าอุปกรณ์มีกำลังลดลง
2. อย่าชาร์จตัวแบตเตอรี่ที่มีไฟเต็มแล้ว การชาร์จประจุไฟฟ้ามากเกินไปอาจจะทำให้อายุการใช้งานของตัวแบตเตอรี่สั้นลง
3. ชาร์จประจุไฟฟ้าตัวแบตเตอรี่ในห้องที่มีอุณหภูมิระหว่าง 10 °C - 40 °C ปลอยให้ตัวแบตเตอรี่เย็นลงก่อนที่จะชาร์จไฟ
4. เมื่อไม่ใช้ตัวแบตเตอรี่ ให้ถอดออกจากเครื่องมือหรือเครื่องชาร์จ
5. ชาร์จไฟตัวแบตเตอรี่หากคุณไม่ต้องการใช้เป็นเวลาานาน (เกินกว่าหกเดือน)

## คำอธิบายการทำงาน

**⚠ ข้อควรระวัง:** ตรวจสอบให้แน่ใจว่าได้ปิดสวิตช์เครื่องมือและถอดตัวแบตเตอรี่ออกก่อนปรับตั้งหรือตรวจสอบการทำงานของเครื่องมือ

## การใส่หรือการถอดตัวแบตเตอรี่

**⚠ ข้อควรระวัง:** ปิดสวิตช์เครื่องมือก่อนทำการติดตั้งหรือการถอดตัวแบตเตอรี่ทุกครั้ง

**⚠ ข้อควรระวัง:** ถือเครื่องมือและตัวแบตเตอรี่ให้แน่นในระหว่างการติดตั้งหรือการถอดตัวแบตเตอรี่ หากไม่ถือเครื่องมือและตัวแบตเตอรี่ให้แน่น อาจทำให้ตัวแบตเตอรี่และเครื่องมือลื่นหลุดมือ และทำให้เครื่องมือและตัวแบตเตอรี่เสียหายหรือได้รับบาดเจ็บได้

▶ **หมายเลข 1:** 1. ชีลส์แดง 2. ปุ่ม 3. ตัวแบตเตอรี่

เมื่อต้องการถอดตัวแบตเตอรี่ ให้เลื่อนปุ่มที่ด้านหน้าของตัวแบตเตอรี่แล้วดึงออกจากเครื่องมือ

การติดตั้งตัวแบตเตอรี่ ให้จัดตำแหน่งลิ้นของตัวแบตเตอรี่ให้ตรงกับร่องของเครื่อง แล้วเลื่อนเข้าที่ ใส่ตัวแบตเตอรี่เข้าจนสุดจนกระทั่งได้ยินเสียงคลิกล๊อคเข้าที่ หากยังเห็นชีลส์แดงตามทีแสดงในภาพ แสดงว่าตัวแบตเตอรี่ยังไม่ล๊อคเข้าที่

**⚠ ข้อควรระวัง:** ให้ดันตัวแบตเตอรี่เข้าจนสุดจนไม่เห็นชีลส์แดงอีก ไม่เช่นนั้น ตัวแบตเตอรี่อาจหลุดออกจากเครื่องมือทำให้คุณหรือคนรอบข้างได้รับบาดเจ็บ

**⚠ ข้อควรระวัง:** อย่าฝืนติดตั้งตัวแบตเตอรี่โดยใช้แรงมากเกินไป หากตัวแบตเตอรี่ไม่เลื่อนเข้าไปโดยง่าย แสดงว่าใส่ไม่ถูกต้อง

## การระบุระดับพลังงานแบตเตอรี่ที่เหลืออยู่

กดปุ่ม ตรวจสอบ บนตัวแบตเตอรี่เพื่อดูปริมาณแบตเตอรี่ที่เหลือ ไฟแสดงสถานะจะสว่างขึ้นเป็นเวลาสองสามวินาที

▶ **หมายเลข 2:** 1. ไฟแสดงสถานะ 2. ปุ่มตรวจสอบ

ไฟแสดงสถานะ			แบตเตอรี่ที่เหลือ
ไฟสว่าง	ดับ	กะพริบ	
			75% ถึง 100%
			50% ถึง 75%
			25% ถึง 50%
			0% ถึง 25%
			ชาร์จไฟแบตเตอรี่
			แบตเตอรี่อาจจะเสีย

**หมายเหตุ:** ขึ้นอยู่กับสภาพการใช้งานและอุณหภูมิ โดยรอบ การแสดงสถานะอาจจะแตกต่างจากปริมาณแบตเตอรี่จริงเล็กน้อย

**หมายเหตุ:** ไฟแสดงสถานะดวงแรก (ซ้ายสุด) จะกะพริบเมื่อระบบป้องกันแบตเตอรี่ทำงาน

## ระบบป้องกันเครื่องมือ/แบตเตอรี่

เครื่องมือมีระบบป้องกันเครื่องมือ/แบตเตอรี่ ระบบนี้จะตัดไฟที่ส่งไปยังมอเตอร์โดยอัตโนมัติเพื่อยืดอายุการใช้งานเครื่องมือและแบตเตอรี่ เครื่องมือจะหยุดทำงานระหว่างการใช้งานโดยอัตโนมัติ หากเครื่องมือหรือแบตเตอรี่อยู่ภายใต้สถานการณ์ต่อไปนี้



## การป้องกันโอเวอร์โหลด

เมื่อใช้งานเครื่องมือ/แบตเตอรี่ในลักษณะที่ทำให้ใช้กระแสไฟฟ้าสูงผิดปกติ เครื่องมือจะหยุดทำงานอัตโนมัติ ในกรณีนี้ ให้ปิดเครื่องมือและหยุดการใช้งานในลักษณะที่อาจทำให้เครื่องมือทำงานหนักเกินไป แล้วเปิดเครื่องมือเพื่อเริ่มการทำงานอีกครั้ง

## การป้องกันความร้อนสูงเกิน

เมื่อเครื่องมือ/แบตเตอรี่ร้อนเกินไป เครื่องมือจะหยุดทำงานโดยอัตโนมัติ และดวงไฟจะกะพริบ ในกรณีนี้ ให้ปล่อยให้เครื่องมือให้เย็นลงก่อนแล้วเปิดเครื่องมืออีกครั้ง

## การป้องกันไฟหมด

เมื่อแบตเตอรี่มีระดับพลังงานไม่เพียงพอ เครื่องมือจะหยุดโดยอัตโนมัติ ในกรณีนี้ ให้ถอดแบตเตอรี่ออกจากเครื่องมือและนำแบตเตอรี่ไปชาร์จไฟ

## สวิตช์ไฟหลัก

**คำเตือน:** ปิดสวิตช์ไฟหลักเสมอเมื่อไม่ได้ใช้งาน

การเตรียมพร้อมใช้งานเครื่องมือ ให้กดปุ่มไฟหลักจนกระทั่งสัญญาณไฟหลักสว่างขึ้น เมื่อต้องการปิด ให้กดปุ่มไฟหลักอีกครั้ง

► **หมายเลข 3:** 1. ปุ่มเปิดปิดหลัก

**หมายเหตุ:** เครื่องมือนี้มีฟังก์ชันการปิดแบบอัตโนมัติเพื่อหลีกเลี่ยงการสตาร์ทเครื่องโดยไม่ได้ตั้งใจ สวิตช์ไฟหลักจะปิดโดยอัตโนมัติเมื่อไม่มีการดึงสวิตช์สั่งงานภายในระยะเวลาหนึ่งหลังจากเปิดสวิตช์ไฟหลักแล้ว

## การทำงานของสวิตช์

**คำเตือน:** ก่อนใส่กลับแบตเตอรี่ลงในเครื่องมือ ให้ตรวจสอบว่าสวิตช์สั่งงานสามารถทำงานได้อย่างถูกต้อง และกลับไปยังตำแหน่ง "ปิด" เมื่อปล่อย

► **หมายเลข 4:** 1. สวิตช์สั่งงาน

การเริ่มใช้งานเครื่องมือ ให้กดสวิตช์สั่งงานซึ่งสวิตช์ไฟหลักเปิดอยู่ ความเร็วเครื่องมือจะเพิ่มขึ้นเมื่อออกแรงกดที่สวิตช์สั่งงาน ปล่อยสวิตช์สั่งงานเพื่อหยุดการทำงาน

**หมายเหตุ:** เครื่องมือจะหยุดทำงานโดยอัตโนมัติหากคุณดึงสวิตช์สั่งงานไว้นานเกิน 6 นาที

## การเปิดดวงไฟด้านหลัง

**คำเตือน:** อย่ามองเข้าไปในดวงไฟหรือจ้องดูแหล่งกำเนิดแสงโดยตรง

► **หมายเลข 5:** 1. ดวงไฟ

ดึงสวิตช์สั่งงานเพื่อเปิดไฟ ดวงไฟจะดับลงเมื่อปล่อยสวิตช์สั่งงาน ดวงไฟจะดับลงภายในเวลาประมาณ 10 วินาทีหลังจากปล่อยสวิตช์สั่งงาน

**หมายเหตุ:** เมื่อเครื่องมือมีความร้อนสูงเกินไป เครื่องมือจะหยุดทำงานโดยอัตโนมัติและดวงไฟจะกะพริบ ในกรณีนี้ ดึงถั่ว ปล่อยให้สวิตช์สั่งงาน ดวงไฟจะดับลงใน 5 นาที

**หมายเหตุ:** ใช้ผ้าแห้งเพื่อเช็ดสิ่งสกปรกออกจากเลนส์ของดวงไฟ ระวังอย่าขีดข่วนเลนส์ของดวงไฟ ไม่เช่นนั้น อาจทำให้ส่องสว่างได้น้อยลง

## การใช้งานสวิตช์เปลี่ยนทิศทาง

**คำเตือน:** ตรวจสอบทิศทางการหมุนก่อนการใช้งานเสมอ

**คำเตือน:** ใช้สวิตช์เปลี่ยนทิศทางหลังจากเครื่องมือหยุดสนิทแล้วเท่านั้น การเปลี่ยนทิศทางการหมุนก่อนเครื่องมือหยุดสนิทอาจทำให้เครื่องมือเสียหายได้

**คำเตือน:** เมื่อไม่ได้ใช้งานเครื่องมือ ให้เลื่อนก้านสวิตช์เปลี่ยนทิศทางไปที่ตำแหน่งปกติเสมอ

เครื่องมือนี้มีสวิตช์เปลี่ยนทิศทาง เพื่อใช้เปลี่ยนทิศทางการหมุน ดันก้านสวิตช์เปลี่ยนทิศทางจากด้าน A เพื่อให้หมุนตามเข็มนาฬิกา หรือจากด้าน B เพื่อให้หมุนทวนเข็มนาฬิกา

เมื่อก้านสวิตช์เปลี่ยนทิศทางอยู่ในตำแหน่งปกติ จะไม่สามารถดึงก้านสวิตช์ได้




► **หมายเลข 6:** 1. ก้านสวิตช์เปลี่ยนทิศทาง

## การเปลี่ยนความเร็วอัตโนมัติ

เครื่องมือนี้มี "โหมดความเร็วสูง" และ "โหมดแรงบิดสูง" เครื่องมือจะเปลี่ยนโหมดการทำงานอัตโนมัติขึ้นอยู่กับปริมาณงาน เมื่อปริมาณงานน้อย เครื่องมือจะทำงานใน "โหมดความเร็วสูง" เพื่อการทำงานที่เร็วขึ้น เมื่อปริมาณงานมาก เครื่องมือจะทำงานใน "โหมดแรงบิดสูง" เพื่อการทำงานกำลังสูง

► **หมายเลข 7:** 1. ไฟแสดงสถานะโหมด

ไฟแสดงสถานะโหมตจะสว่างเป็นสีเขียวเมื่อเครื่องมือกำลังทำงานใน “โหมตแรงบิดสูง” หากเครื่องมือทำงานหนักเกินไป ไฟแสดงสถานะโหมตจะกะพริบเป็นสีเขียว ไฟแสดงสถานะโหมตจะหยุดกะพริบและจากนั้นไฟจะสว่างขึ้นปกติหรือดับลงหากคุณลดการใช้งานของเครื่องมือลง

สถานะของไฟแสดงสถานะโหมต			โหมตการทำงาน
<input checked="" type="radio"/> สว่าง	<input type="radio"/> ดับ	<input type="radio"/> กะพริบ	
			โหมตความเร็วสูง
			โหมตแรงบิดสูง
			การแจ้งเตือนเครื่องทำงานหนักเกินไป

## การเปลี่ยนความเร็ว

**ข้อสังเกต:** ใช้ปุ่มหมุนเปลี่ยนความเร็วหลังจากเครื่องมือหยุดสนิทแล้วเท่านั้น การเปลี่ยนความเร็วในขณะที่เครื่องมือยังไม่หยุดสนิทอาจทำให้เครื่องมือเสียหายได้

**ข้อสังเกต:** ตรวจสอบปุ่มหมุนเปลี่ยนความเร็วให้อยู่ในตำแหน่งที่ถูกต้องเสมอ หากคุณใช้งานเครื่องมือโดยที่ปุ่มหมุนเปลี่ยนความเร็วอยู่กึ่งกลางระหว่างตำแหน่ง 1 และ 2 เครื่องมืออาจเสียหายได้

สามารถตั้งความเร็วได้สองระดับโดยใช้ปุ่มหมุนเปลี่ยนความเร็ว

การเปลี่ยนความเร็ว ให้ปลดปุ่มล็อคแล้วหมุนปุ่มหมุนเปลี่ยนความเร็วให้ตัวชี้ไปที่ตำแหน่ง 1 หากต้องการใช้ความเร็วต่ำหรือเปลี่ยนไปที่ตำแหน่ง 2 หากต้องการใช้ความเร็วสูง

- **หมายเลข 8:** 1. ปุ่มล็อค 2. ตัวชี้ 3. ปุ่มหมุนเปลี่ยนความเร็ว

## ตัวจำกัดแรงบิด

ตัวจำกัดแรงบิดจะทำงานเมื่อแรงบิดขึ้นไปถึงระดับหนึ่งที่ต้องการตั้งค่าความเร็วต่ำ (ตำแหน่ง 1) มอเตอร์จะผละออกจากเพลาส่งกำลัง เมื่อเป็นเช่นนั้น เครื่องมือจะหยุดหมุน เมื่อต้องการเดินเครื่องใหม่ ให้ยกเครื่องมือออกจากชิ้นงานแล้วจึงตั้งสวิตช์ส่งงานอีกครั้ง

## ฟังก์ชันอิเล็กทรอนิกส์

### เบรกไฟฟ้า

เครื่องมือนี้มีเบรกไฟฟ้า หากเครื่องมือไม่สามารถหยุดการทำงานได้อย่างรวดเร็วหลังจากปล่อยสวิตช์ส่งงาน ให้นำเครื่องมือไปรับการซ่อมที่ศูนย์บริการของ Makita

### คุณสมบัติซอฟต์แวร์

ฟังก์ชันนี้จะทำให้เครื่องมือเริ่มทำงานได้อย่างราบเรียบโดยการจำกัดแรงบิดในการเริ่มทำงาน

## การประกอบ

**⚠ ข้อควรระวัง:** ตรวจสอบให้แน่ใจว่าได้ปิดสวิตช์เครื่องมือและถอดด้ามจับออกก่อนดำเนินการใดๆ กับเครื่องมือ

### การติดตั้งด้ามจับด้านข้าง (มือจับเสริม)

**⚠ ข้อควรระวัง:** ตรวจสอบให้แน่ใจทุกครั้งว่าด้ามจับด้านข้างติดตั้งอย่างมั่นคงก่อนที่จะทำงาน

ขันสกรูด้ามจับด้านข้างของเครื่องมือให้แน่น ด้ามจับด้านข้างสามารถติดตั้งได้ทั้งสองด้านของเครื่องมือตามความสะดวก

- **หมายเลข 9:** 1. ด้ามจับด้านข้าง

### มือจับด้านหน้า

**⚠ ข้อควรระวัง:** อย่าฝืนดันมือจับด้านหน้าเกินตำแหน่งของลูกศรตามภาพ ระวังอย่าให้มือหลุดจากด้ามจับ ระวังให้มืออยู่ในตำแหน่งที่ห่างจากหัวจับดอกสว่านเสมอ เนื่องจากอาจทำให้เกิดอุบัติเหตุร้ายแรงได้

**⚠ ข้อควรระวัง:** ตรวจสอบให้แน่ใจว่าได้ขันสลักเกลียวหกเหลี่ยม (ทั้งสองด้าน) ของมือจับด้านหน้าจนแน่นเสมอ

สามารถติดตั้งมือจับด้านหน้าในตำแหน่งใดก็ได้ภายใน 0° - 112.5° ตามภาพ

- **หมายเลข 10:** 1. มือจับด้านหน้า

การเปลี่ยนตำแหน่ง ให้คลายสลักเกลียวหกเหลี่ยม (ทั้งสองด้าน) ด้วยประแจหกเหลี่ยมแล้วหมุนมือจับด้านหน้าให้อยู่ในตำแหน่งที่ต้องการ จากนั้นขันสลักเกลียวหกเหลี่ยมให้แน่น

- **หมายเลข 11:** 1. มือจับด้านหน้า 2. ประแจหกเหลี่ยม

## การติดตั้งหรือถอดดอกสว่าน

เมื่อต้องการติดตั้งดอกสว่าน ให้ใส่ดอกสว่านลงในหัวจับจนสุด ชั้นหัวจับให้แน่นด้วยมือ ใช้ประแจชั้นหัวจับให้แน่นทั้งสามรูตามเข็มนาฬิกา ตรวจสอบให้แน่ใจว่าชั้นหัวจับทั้งสามรูให้แน่นเท่ากัน

เมื่อต้องการถอดดอกสว่าน ให้หมุนประแจชั้นหัวจับทวนเข็มนาฬิกาเพียงรูเดียว จากนั้นคลายหัวจับด้วยมือ

▶ **หมายเลข 12:** 1. ประแจชั้นหัวจับ

หลังใช้งาน ให้เก็บประแจชั้นหัวจับไว้ที่ตัวยึดประแจบนเครื่องมือตามภาพ

▶ **หมายเลข 13:** 1. ตัวยึดประแจ

## ขอเกี่ยว

⚠ **ข้อควรระวัง:** ถอดแบตเตอรี่ออกเมื่อแขวนเครื่องมือกับขอเกี่ยวเสมอ

⚠ **ข้อควรระวัง:** อย่าแขวนเครื่องมือที่ตำแหน่งสูงหรือบนพื้นผิวที่อาจไม่มั่นคง

ขอเกี่ยวให้ความสะดวกสำหรับการแขวนเครื่องมือไว้ชั่วคราว

เมื่อต้องการใช้ขอเกี่ยว ให้ยกขอเกี่ยวขึ้นจนกระทั่งเข้าไปในตำแหน่งเปิด เมื่อไม่ใช้งาน ให้ลดขอเกี่ยวลงจนกระทั่งเข้าไปในตำแหน่งปิด

▶ **หมายเลข 14:** 1. ขอเกี่ยว

▶ **หมายเลข 15**

## การเชื่อมต่อสายคล้อง (สายยึด) เข้ากับขอเกี่ยว

⚠ **ข้อควรระวัง:** อย่าใช้ขอเกี่ยวและสกรูที่เสียหาย ก่อนใช้งาน ให้ตรวจสอบความเสียหาย รอยร้าว หรือการผิดรูป และตรวจสอบให้แน่ใจว่าชั้นสกรูแน่นดีแล้ว

⚠ **ข้อควรระวัง:** ตรวจสอบให้แน่ใจว่าขอเกี่ยวถูกติดตั้งด้วยสกรูแน่นดีแล้ว

⚠ **ข้อควรระวัง:** อย่าติดตั้งหรือถอดอุปกรณ์เสริมขณะแขวนเครื่องมือ เครื่องมืออาจร่วงหล่นหากไม่ขันสกรูให้แน่น

⚠ **ข้อควรระวัง:** ใช้คาราบินเนอร์ที่มีตัวล็อก (ประเภทที่มีฟังก์ชันล็อกหลายชั้นและหัวล็อกแบบสกรู) และตรวจสอบให้แน่ใจว่าได้ยึดสายคล้อง (สายยึด) เข้ากับส่วนห่วงคู่ของขอเกี่ยวแล้ว การยึดที่ไม่เหมาะสมอาจทำให้เครื่องมือร่วงหล่นจากขอเกี่ยวและส่งผลให้เกิดการบาดเจ็บได้

ขอเกี่ยวนี้ยังใช้สำหรับการเชื่อมต่อสายคล้อง (สายยึด) ด้วย ตรวจสอบให้แน่ใจว่าได้เชื่อมต่อสายคล้อง (สายยึด) เข้ากับส่วนห่วงคู่ของขอเกี่ยวแล้ว

▶ **หมายเลข 16:** 1. ส่วนห่วงคู่ของขอเกี่ยว 2. สายคล้อง (สายยึด) 3. คาราบินเนอร์ที่มีตัวล็อก (ประเภทที่มีฟังก์ชันล็อกหลายชั้นและหัวล็อกแบบสกรู)

## การใช้งาน

⚠ **ข้อควรระวัง:** ให้แน่ใจว่าได้ใส่ปลั๊กแบตเตอรี่เข้าจนสุดจนกระทั่งล็อกเข้าที่ หากยังเห็นซีลสีแดง แสดงว่าปลั๊กแบตเตอรี่ยังไม่ล็อกเข้าที่ ให้ดันปลั๊กแบตเตอรี่เข้าจนสุดจนไม่เห็นซีลสีแดงอีก ไม่เช่นนั้น ปลั๊กแบตเตอรี่อาจหลุดออกจากเครื่องมือทำให้คุณหรือคนรอบข้างได้รับบาดเจ็บ

⚠ **ข้อควรระวัง:** เมื่อความเร็วลดลงอย่างมาก ให้ลดน้ำหนักโหลดหรือหยุดเครื่องมือเพื่อหลีกเลี่ยงไม่ให้เครื่องมือเสียหาย

⚠ **ข้อควรระวัง:** ถือเครื่องมือไว้ให้มั่นคงขณะใช้งานเครื่องมือ

## การถือเครื่องมือ

⚠ **ข้อควรระวัง:** เครื่องมือชนิดนี้มีกำลังสูงมาก การใช้เครื่องมือชนิดนี้จะก่อให้เกิดแรงบิดสูง สิ่งสำคัญคือต้องถือเครื่องมืออย่างมั่นคงและมีสิ่งค้ำยันอย่างเหมาะสม

จับมือจับไว้ด้วยมือข้างหนึ่ง และจับมือจับด้านหน้าไว้ด้วยมืออีกข้างหนึ่ง

▶ **หมายเลข 17:** 1. มือจับด้านหน้า 2. มือจับ

เมื่อทำการเจาะรูขนาดใหญ่ด้วยแท่งดอกสว่าน ชลช ควรใช้ด้ามจับด้านข้าง (มือจับเสริม) เป็นสิ่งค้ำยันเพื่อให้สามารถควบคุมเครื่องมือได้อย่างปลอดภัย

เมื่อทำการเจาะไปที่ด้านหน้า (ตามเข็มนาฬิกา) ควรค้ำยันเครื่องมือในลักษณะที่ป้องกันไม่ให้สับกลับทวนเข็มนาฬิกาหากดอกสว่านเกิดสะดุดขึ้น

▶ **หมายเลข 18:** 1. การสับกลับ 2. เดินหน้า 3. ด้ามจับด้านข้าง

เมื่อใช้งานแบบถอยกลับ ควรค้ำยันเครื่องมือในลักษณะที่ป้องกันไม่ให้สับกลับตามเข็มนาฬิกา หากจำเป็นต้องถอนดอกสว่านออกจากรูที่ยังเจาะไม่เสร็จ ให้ตรวจสอบให้แน่ใจว่าได้ค้ำยันเครื่องมืออย่างเหมาะสมแล้วก่อนจะเริ่มหมุนถอยกลับ

▶ **หมายเลข 19:** 1. การสับกลับ 2. ถอยกลับ

## การเจาะ

### การเจาะไม้

เพื่อให้ได้ผลดีในการเจาะไม้ ควรใช้สว่านเจาะไม้ควบคู่กับ สกรูนำ สกรูนำจะช่วยให้การเจาะง่ายขึ้น โดยการดึงดอก สว่านลงในชิ้นงาน

### การเจาะโลหะ

เพื่อป้องกันดอกสว่านเลื่อนเมื่อเริ่มเจาะรู ให้ทำรอยตัดด้วย เหล็กเจาะนำศูนย์กลางและค้อนในจุดที่จะเจาะ วางปลายดอก สว่านที่รอยตัด และเริ่มเจาะ

ใช้สารหล่อลื่นสำหรับการตัดเมื่อเจาะโลหะ ยกเว้นการเจาะ เหล็กและทองเหลือง ซึ่งควรเจาะแบบแห้ง

**⚠ ข้อควรระวัง:** การออกแรงกดบนเครื่องมือไม่ช่วยให้การเจาะเร็วขึ้น ตามข้อเท็จจริงแล้ว แรงกดที่มากเกินไปจะทำให้ปลายดอกสว่านเสียหาย ลดประสิทธิภาพและอายุการใช้งานของเครื่องมือ

**⚠ ข้อควรระวัง:** จับเครื่องมือให้แน่น และระมัดระวังเมื่อ ดอกสว่านเริ่มเจาะทะลุชิ้นงาน จะมีแรงกดบนเครื่องมือ/ ดอกสว่านอย่างมากขณะเจาะรู

**⚠ ข้อควรระวัง:** ดอกสว่านที่ติดอยู่ที่ชิ้นงานสามารถนำ ออกมาได้ง่ายโดยการเลื่อนสวิตช์เปลี่ยนทิศทางให้ดอก สว่านหมุนย้อนกลับ อย่างไรก็ตาม เครื่องมืออาจจะถอย ออกทันทีโดยที่คุณไม่ทันตั้งตัว คุณจึงควรจับเครื่องมือ ไว้ให้แน่น

**⚠ ข้อควรระวัง:** ยึดชิ้นงานด้วยปากกาจับงาน หรือ อุปกรณ์จับยึดที่คล้ายคลึงกันเสมอ

**⚠ ข้อควรระวัง:** หลีกเลี่ยงการเจาะในวัสดุที่คุณสงสัยว่ามี ตะปูหรือสิ่งอื่นๆ ที่อาจเป็นสาเหตุให้ดอกสว่านติดขัด หรือหักข้องออยู่

**⚠ ข้อควรระวัง:** หากใช้งานเครื่องมือต่อเนื่องจนกระทั่ง ไหมในดรัมแบตเตอรี่หมด ให้พักเครื่องมือไว้ 15 นาทีก่อน เริ่มทำงานด้วยแบตเตอรี่ใหม่

## การเชื่อมต่อสายคล้อง (สายยึด)

**⚠ คำเตือนด้านความปลอดภัยสำหรับการใช้บนที่สูงโดยเฉพาะ**

อ่านคำเตือนด้านความปลอดภัยและคำแนะนำทั้งหมด หาก ไม่ปฏิบัติตามคำเตือนและคำแนะนำเหล่านี้ อาจทำให้ได้รับ บาดเจ็บสาหัสได้

- ยึดเครื่องมือไว้เสมอเมื่อทำงานบน “ที่สูง” ความยาว สายคล้องสูงสุดคือ 2 m (6.5 ft) ความสูงสูงสุดในการร่วงหล่นที่ยอมรับได้สำหรับสาย คล้อง (สายยึด) จะต้องไม่เกิน 2 m (6.5 ft)
- ใช้เฉพาะสายคล้องที่เหมาะสมสำหรับประเภทของ เครื่องมือและที่กำหนดสำหรับน้ำหนักของยาน้อย 8.0 kg (17.6 lbs)
- อย่ายึดสายคล้องเครื่องมือเข้ากับส่วนใดๆ ของ ร่างกายคุณหรือชิ้นส่วนเคลื่อนที่ได้ ยึดสายคล้อง เครื่องมือเข้ากับโครงสร้างที่แข็งแรงซึ่งสามารถทนต่อ แรงจากเครื่องมือเหล่านั้นได้
- ตรวจสอบให้แน่ใจว่าสายคล้องเครื่องมือถูกยึดอย่าง ถูกต้องที่ส่วนปลายแต่ละด้านก่อนการใช้
- ตรวจสอบความเสียหายและการทำงานที่เหมาะสม ของเครื่องมือและสายคล้องก่อนการใช้งานแต่ละครั้ง (รวมถึงผ้าและรอยเย็บ) อย่าใช้เครื่องมือและสาย คล้องหากมีความเสียหายหรือทำงานไม่ถูกต้อง
- อย่าพันสายคล้องรอบขง หรืออย่าให้สายคล้องสัมผัส กับขอบที่คมหรือขรุขระ
- ยึดปลายด้านหนึ่งของสายคล้องด้านนอกของพื้นที่ ทำงานเพื่อให้เครื่องมือที่ร่วงลงมาถูกยึดอย่างแน่น หนา
- ติดสายคล้องโดยให้เครื่องมือเคลื่อนออกจากตัวผู้ใช้งานหากเครื่องมือร่วงหล่น เครื่องมือที่ร่วงหล่นจะ แกว่งอยู่บนสายคล้อง ซึ่งอาจทำให้ได้รับบาดเจ็บและ สูญเสียการทรงตัวได้
- อย่าใช้สายคล้องใกล้กับชิ้นส่วนที่กำลังเคลื่อนที่หรือ เครื่องจักรที่กำลังทำงานอยู่ ไม่เช่นนั้น อาจส่งผลให้ เกิดการกระแทกหรืออันตรายจากการเข้าไปติด
- อย่าถือเครื่องมือโดยใช้อุปกรณ์ต่อพ่วงหรือสายคล้อง
- ขนย้ายเครื่องมือด้วยมือของคุณในขณะที่คุณทรงตัว ได้อย่างเหมาะสมเท่านั้น
- อย่าติดสายคล้องเข้ากับเครื่องมือในลักษณะที่จะทำให้ สวิตช์หรือปุ่มปลดล็อกทำงานได้ไม่ถูกต้อง
- ระวังอย่าให้สายคล้องพันกัน
- รักษาระยะของสายคล้องให้ห่างจากพื้นที่การตัดของ เครื่องมือ
- ใช้คาร์บิเนออร์แบบกลไกล็อคหลายชั้นและมีปากเป็น สกรู อย่าใช้คาร์บิเนออร์แบบสปริงคลิปซึ่งมีกลไกล็อค ชั้นเดียว
- ในกรณีที่เครื่องมือหล่น จะต้องติดป้ายและงดการใช้งาน และควรนำไปเข้ารับการตรวจสอบโดยโรงงาน ของ Makita หรือศูนย์บริการที่ได้รับการรับรอง

## การบำรุงรักษา

**⚠ ข้อควรระวัง:** ตรวจสอบให้แน่ใจว่าได้ปิดสวิตช์เครื่องมือและถอดปลั๊กแบตเตอรี่ออกก่อนทำการตรวจสอบหรือบำรุงรักษา

**ข้อสังเกต:** อย่าใช้น้ำมันเชื้อเพลิง เบนซิน ทินเนอร์ แอลกอฮอล์ หรือวัสดุประเภทเดียวกัน เนื่องจากอาจทำให้ลื่นลื่น เสียหาย หรือแตกร้าวได้

เพื่อความปลอดภัยและนำเชื่อถือของผลิตภัณฑ์ ควรให้ศูนย์บริการหรือโรงงานที่ผ่านการรับรองจาก Makita เป็นผู้ดำเนินการซ่อมแซม บำรุงรักษาและทำการปรับตั้งอื่นๆ นอกจากนี้ให้ใช้อะไหล่ของแท้จาก Makita เสมอ

## อุปกรณ์เสริม

**⚠ ข้อควรระวัง:** ขอแนะนำให้ใช้เฉพาะอุปกรณ์เสริมหรืออุปกรณ์ต่อพ่วงเหล่านี้กับเครื่องมือ Makita ที่ระบุในคู่มือการใช้ อุปกรณ์เสริมหรืออุปกรณ์ต่อพ่วงอื่นๆ อาจมีความเสี่ยงที่จะได้รับบาดเจ็บ ใช้ อุปกรณ์เสริมหรืออุปกรณ์ต่อพ่วงตามวัตถุประสงค์ที่ระบุไว้เท่านั้น

หากต้องการทราบรายละเอียดเพิ่มเติมเกี่ยวกับอุปกรณ์เสริมเหล่านี้ โปรดสอบถามศูนย์บริการ Makita ใกล้บ้านคุณ

- ดอกสว่าน
- ต้ามจับด้านข้าง
- แบตเตอรี่และเครื่องชาร์จ Makita ของแท้

**หมายเหตุ:** อุปกรณ์บางรายการอาจจะรวมอยู่ในชุดเครื่องมือเป็นอุปกรณ์มาตรฐาน ซึ่งอาจแตกต่างกันไปในแต่ละประเทศ



**Makita Corporation**  
3-11-8, Sumiyoshi-cho,  
Anjo, Aichi 446-8502 Japan  
[www.makita.com](http://www.makita.com)

885871-371  
EN, ZHCN, ID, MS,  
VI, TH  
20201216