



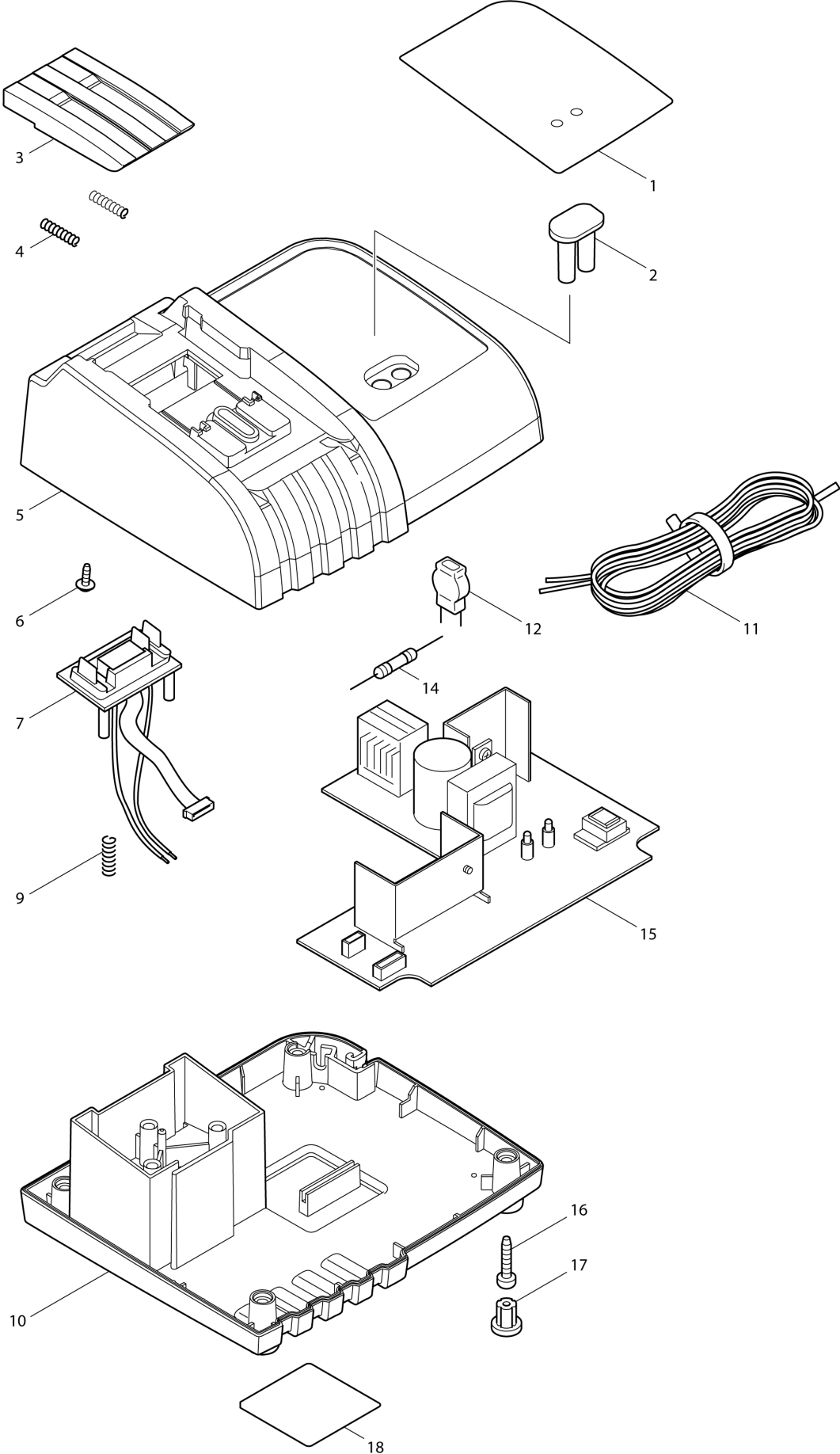
VN VIETNAM

# Diagram / Parts List

DC18SD  
CHARGER



(VN) DC18SD / CHARGER



VN	VIETNAM
----	---------

**DC18SD / CHARGER**

Item	Sub	Parts No.	Parts Description	Qty	I/C	E/C No.	Close No.	Remark
001A		806355-9	CHARGING CONDITION LABEL	1			C0730	
001-1A		816W96-7	CHARGING CONDITION LABEL	1	<	C0730		
001-1B		816W96-7	CHARGING CONDITION LABEL	1				
001A A		806355-9	CHARGING CONDITION LABEL	1		C0730		(TENPAO)
001A B		806355-9	CHARGING CONDITION LABEL	1				(TENPAO)
002		418175-5	ACRYLIC PIN	1				
003A		419569-7	TERMINAL COVER	1			A8353	
003-1A		455546-5	TERMINAL COVER	1	<	A8353		
003-1B		455546-5	TERMINAL COVER	1				
004		231474-6	COMPRESSION SPRING 4	2				
005		158598-2	CHARGER CASE COMPLETE	1				
	D10		INC. 2					
005A A		143539-1	CHARGER CASE COMPLETE	1		B1171		(TENPAO)
005A B		143539-1	CHARGER CASE COMPLETE	1				(TENPAO)
006		266278-7	TAPPING SCREW FLANGE BT3X10	1				
007A		638602-8	TERMINAL UNIT	1			97786	
007-1A		638602-8	TERMINAL UNIT	1	O	97786	B4845	
007-2A		638602-8	TERMINAL UNIT	1	O	B4845		
007-2B		638602-8	TERMINAL UNIT	1				
007A A		632G53-9	TERMINAL UNIT	1		B1171		(TENPAO)
007A B		632G53-9	TERMINAL UNIT	1				(TENPAO)
009		233194-8	COMPRESSION SPRING 4	1				
010		450346-8	CHARGER CASE COVER	1				
010A A		456426-8	CHARGER CASE COVER	1		B1171		(TENPAO)
010A B		456426-8	CHARGER CASE COVER	1				(TENPAO)
011		667985-9	VINYL CORD 0.75-2-2.0	1				
011A A		667721-3	VINYL CORD	1		B1171		(TENPAO)
011A B		667721-3	VINYL CORD	1				(TENPAO)
012		647306-1	VARISTOR	1				
012A A		647070-4	VARISTOR	1		B1171		(TENPAO)
012A B		647070-4	VARISTOR	1				(TENPAO)
014A		652779-5	FUSE	1			B6249	
014-1A		652779-5	FUSE	1	O	B6249		
014-1B		652779-5	FUSE	1				
014A A		652067-0	FUSE	1		B1171		(TENPAO)
014A B		652067-0	FUSE	1				(TENPAO)
015		631851-6	CHARGING CIRCUIT	1				
	D10		INC. 12,14					
015A A		620532-7	CHARGING CIRCUIT	1		B1171	DA034	(TENPAO)
015A B		620532-7	CHARGING CIRCUIT	1			DA034	(TENPAO)
015A1		620H36-7	CHARGING CIRCUIT	1	O	DA034		(TENPAO)
016		266346-6	TAPPING SCREW BT 4X20	4			D0516	
016-1		265B01-9	TAPPING SCREW PT 4X20	4	<	D0516		
017		286255-3	CAP 13	4				
018		864446-2	DC18SD NAME PLATE	1				
A01B		450128-8	BATTERY COVER	1				
A02B		197600-6	BATTERY BL1830B SET	1			C4176	
A02-1B		197600-6	BATTERY BL1830B SET	1	O	C4176		
F01A		194533-6	DC18SD BATTERY CHARGER SET	1		D6046		

A:  
B:DC18SD(H)

Interchange  
O : Yes  
X : No  
< : the new part can be substituted for the current.  
> : the current part can be substituted for the new.  
S : Interchangeable as a set.