



VN	VIETNAM
----	---------

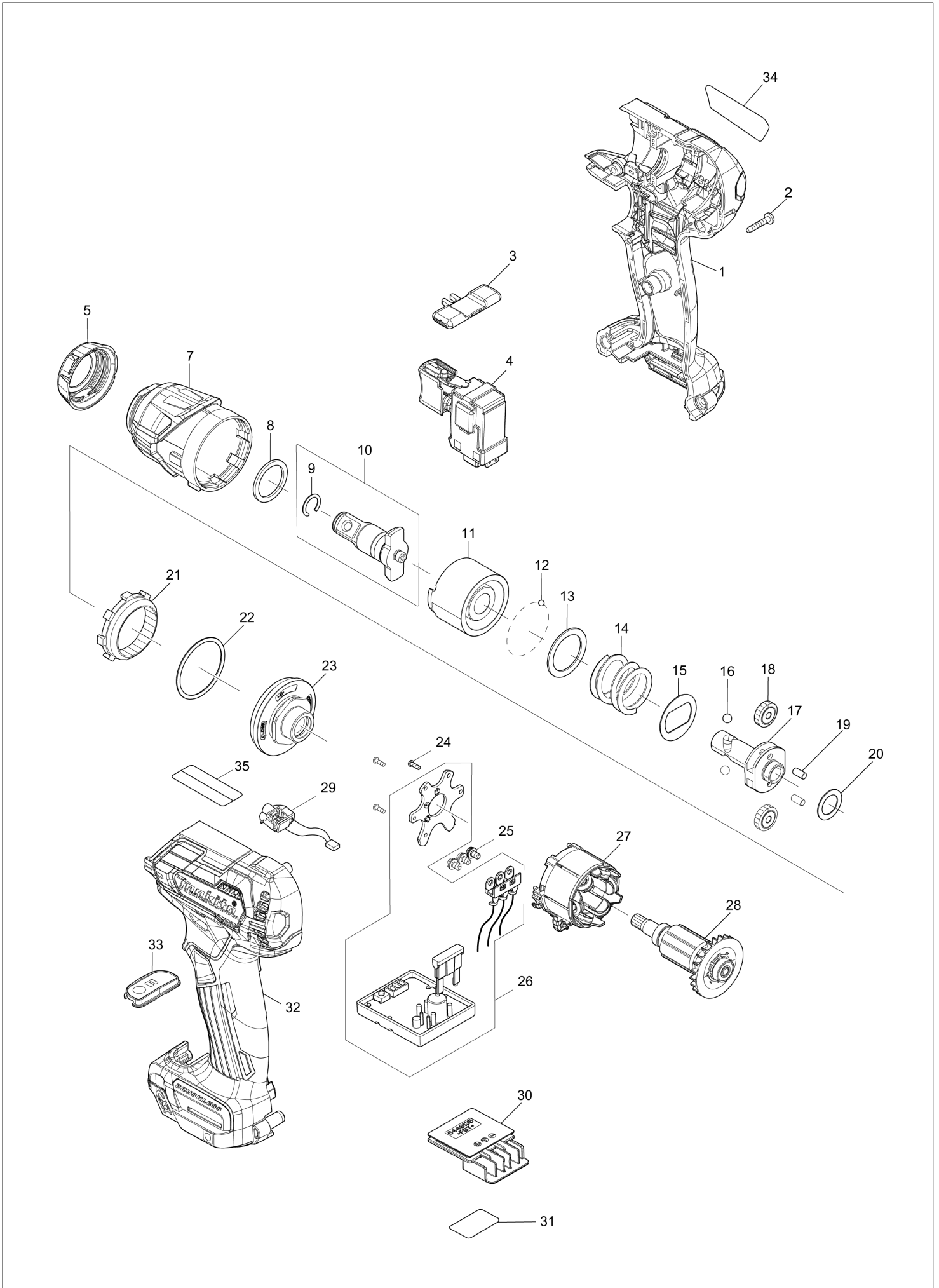
Diagram / Parts List

TW161D

CORDLESS IMPACT WRENCH



(VN) TW161D / CORDLESS IMPACT WRENCH



VN	VIETNAM
-----------	----------------

TW161D / CORDLESS IMPACT WRENCH

Item	Sub	Parts No.	Parts Description	Qty	I/C	E/C No.	Close No.	Remark
001		183L31-7	HOUSING SET	1				
	C10	263002-9	RUBBER PIN 4	2				
	C20	252126-6	HEX. LOCK NUT M4-7	2				
	D10		INC. 32					
002		266429-2	TAPPING SCREW 3X16	9				
003		455053-8	F/R CHANGE LEVER	1				
004		143975-1	SWITCH COMPLETE	1				
	C10	424890-1	SWITCH COVER	1				
005		422407-4	BUMPER	1				
007		140K41-1	HAMMER CASE COMPLETE	1				
	C10	213882-3	O-RING 16	1				
008		261159-0	NYLON WASHER 19	1				
009		231907-1	RING SPRING 10	1				
010		136030-6	ANVIL E ASSY	1				
	D10		INC. 9					
011		327200-0	HAMMER	1				
012		216019-1	STEEL BALL 3	24				
013		267352-4	FLAT WASHER 22	1				
014		232516-9	COMPRESSION SPRING 21	1				
015		267813-4	WASHER 21	1				
016		216002-8	STEEL BALL 4.8	2				
017		327046-4	SPINDLE	1				
018		227213-0	SPUR GEAR 17	2				
019		268217-3	PIN 3.5	2				
020		253052-2	FLAT WASHER 12	1				
021		227316-0	INTERNAL GEAR 43	1				
022		213479-8	O RING 33	1				
023		140G75-0	BEARING BOX COMPLETE	1				
	C10	213845-9	O-RING 13	1				
024		266490-9	TAPPING SCREW PT 2X6	3				
025		652069-6	FLAT HEAD SCREW M3X6	3				
026		620998-1	CONTROLLER	1				
027		629398-2	STATOR	1				
028		619491-0	ROTOR	1			D0256	
028-1		619491-0	ROTOR	1	O	D0256		
029		620999-9	LED CIRCUIT	1				
030		644813-5	TERMINAL	1				
031		855S26-9	TW161D SERIAL NO. LABEL	1				
032		183L31-7	HOUSING SET	1				
	C10	263002-9	RUBBER PIN 4	2				
	C20	252126-6	HEX. LOCK NUT M4-7	2				
	D10		INC. 1					
033		140G52-2	SWITCH PLATE COMPLETE	1				
	C10	818X19-7	SWITCH LABEL	1				
034		855S19-6	TW161D NAME PLATE	1				
A01		266622-8	+ TRUSS HEAD SCREW M4X12	1				
A02		346909-5	HOOK	1				
A03B		821661-1	PLASTIC CARRYING CASE	1				
	C10	417724-5	LATCH	2				
A03C		821661-1	PLASTIC CARRYING CASE	1				
	C10	417724-5	LATCH	2				
A03D		821661-1	PLASTIC CARRYING CASE	1				
	C10	417724-5	LATCH	2				
A04B		***DC10SB	DC10SB BATTERY CHARGER	1				
	D10		COMPO-PARTS					
A04C		***DC10SB	DC10SB BATTERY CHARGER	1				
	D10		COMPO-PARTS					
A04D		***DC10SB	DC10SB BATTERY CHARGER	1				
	D10		COMPO-PARTS					
A05B		197393-5	BATTERY BL1016 SET	2				
A05C		197396-9	BATTERY BL1021B SET	2			C5226	
A05D		197406-2	BATTERY BL1041B SET	2			C5227	
A05-1C		197396-9	BATTERY BL1021B SET	2	O	C5226		
A05-1D		197406-2	BATTERY BL1041B SET	2	O	C5227		
A06B		456128-6	BATTERY COVER	1				

A:TW161DZ(N)
 B:TW161DSYE(H)
 C:TW161DSAE(H)
 D:TW161DSME(H)

Interchange
 O : Yes
 X : No
 < : the new part can be substituted for the current.
 > : the current part can be substituted for the new.
 S : Interchangeable as a set.

