



VN	VIETNAM
----	---------

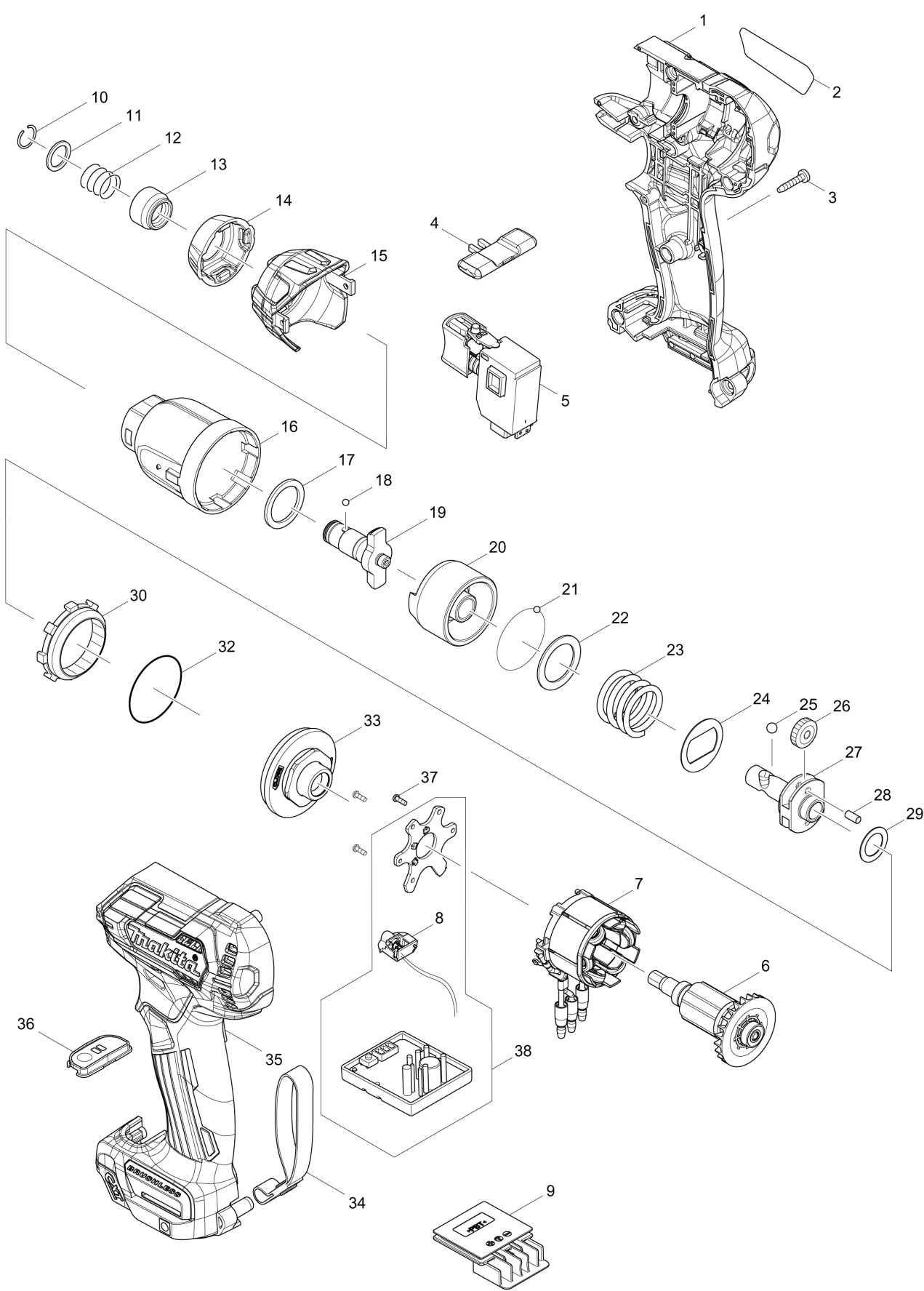
Diagram / Parts List

TD111D

CORDLESS IMPACT DRIVER



(VN) TD111D / CORDLESS IMPACT DRIVER



VN	VIETNAM
-----------	----------------

TD111D / CORDLESS IMPACT DRIVER

Item	Sub	Parts No.	Parts Description	Qty	I/C	E/C No.	Close No.	Remark
001		183E65-8	HOUSING SET	1				
	C10	252126-6	HEX. LOCK NUT M4-7	2				
	D10		INC. 35					
002		852P37-7	TD111D NAME PLATE	1			Y07746	
002-1		852P36-9	TD111D NAME PLATE	1	<	Y07746		
003		266429-2	TAPPING SCREW 3X16	9				
004		455053-8	F/R CHANGE LEVER	1				
005		650689-0	SWITCH C3JW-2B	1				
006		619415-6	ROTOR	1			D0256	
006-1		619415-6	ROTOR	1	O	D0256		
007		629232-6	STATOR	1				
008		620553-9	LED CIRCUIT	1				
009		644813-5	TERMINAL	1				
010		231965-7	RING SPRING 10	1				
011		267143-3	FLAT WASHER 11	1				
012		233005-7	COMPRESSION SPRING 13	1				
013		326803-7	BIT SLEEVE	1				
014		424907-0	BUMPER	1				
015		457062-3	HAMMER CASE COVER	1				
016		144058-0	HAMMER CASE COMPLETE	1				
017		261159-0	NYLON WASHER 19	1				
018		216019-1	STEEL BALL 3	2				
019		326629-7	ANVIL N	1				
020		324894-2	HAMMER	1				
021		216019-1	STEEL BALL 3	24				
022		267380-9	FLAT WASHER 20	1				
023		232326-4	COMPRESSION SPRING 21	1				
024		267813-4	WASHER 21	1				
025		216002-8	STEEL BALL 4.8	2				
026		221437-0	SPUR GEAR 17	2				
027		324897-6	SPINDLE	1				
028		268217-3	PIN 3.5	2				
029		253052-2	FLAT WASHER 12	1				
030		227316-0	INTERNAL GEAR 43	1				
032		213479-8	O RING 33	1				
033		141893-7	BEARING BOX COMPLETE	1				
034		163400-6	HANDSTRAP	1		DB968		
035		183E65-8	HOUSING SET	1				
	C10	252126-6	HEX. LOCK NUT M4-7	2				
	D10		INC. 1					
036		144060-3	SWITCH PLATE COMPLETE	1				
037		266490-9	TAPPING SCREW PT 2X6	3				
038		620552-1	CONTROLLER	1				
	D10		INC. 8					
A01		266622-8	+ TRUSS HEAD SCREW M4X12	1				
A02		346909-5	HOOK	1				
A03A		784202-3	PHILLIPS BIT 2-45	1			C5866	
A03B		784202-3	PHILLIPS BIT 2-45	1				
A03C		784202-3	PHILLIPS BIT 2-45	1			C5866	
A03D		784202-3	PHILLIPS BIT 2-45	1				
A03-1A		B-66743	TWIST TORSIONBIT PH2-120 1PC	1	<	C5866		
A03-1C		B-66743	TWIST TORSIONBIT PH2-120 1PC	1	<	C5866		
A04B		456128-6	BATTERY COVER	1				
A04C		456128-6	BATTERY COVER	1				
A04D		456128-6	BATTERY COVER	1				
A05B		***DC10SB	DC10SB BATTERY CHARGER	1				
	D10		COMPO-PARTS					
A05C		***DC10SB	DC10SB BATTERY CHARGER	1				
	D10		COMPO-PARTS					
A05D		***DC10SB	DC10SB BATTERY CHARGER	1				
	D10		COMPO-PARTS					
A06B		197393-5	BATTERY BL1016 SET	2				
A06C		197396-9	BATTERY BL1021B SET	2			C5226	
A06D		197406-2	BATTERY BL1041B SET	2			C5227	
A06-1C		197396-9	BATTERY BL1021B SET	2	O	C5226		

A:TD111DZ(N)
 B:TD111DSYE(H)
 C:TD111DSAJ(H)
 D:TD111DSMJ(H)

Interchange
 O : Yes
 X : No
 < : the new part can be substituted for the current.
 > : the current part can be substituted for the new.
 S : Interchangeable as a set.

