



VN	VIETNAM
----	---------

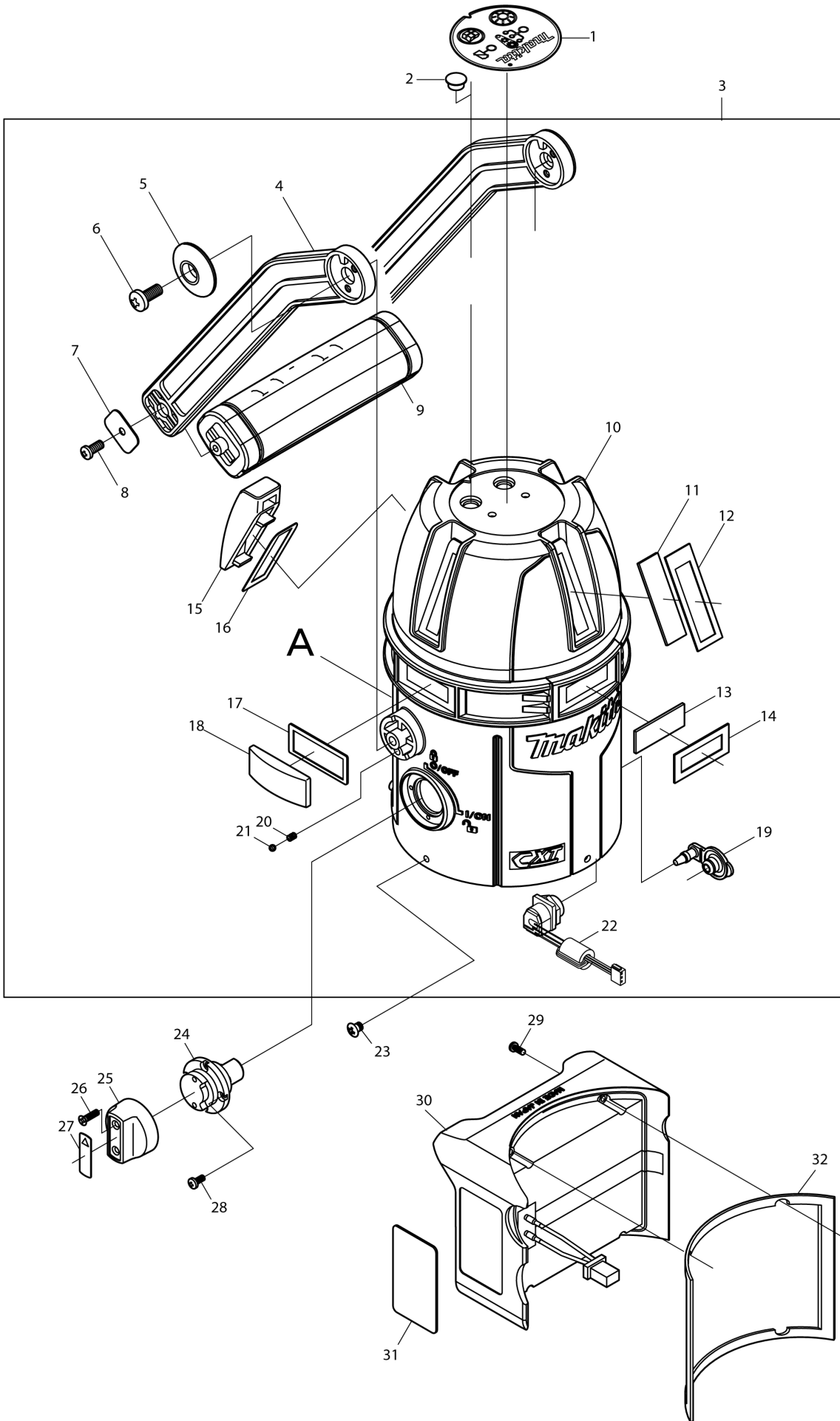
Diagram / Parts List

SK312GD

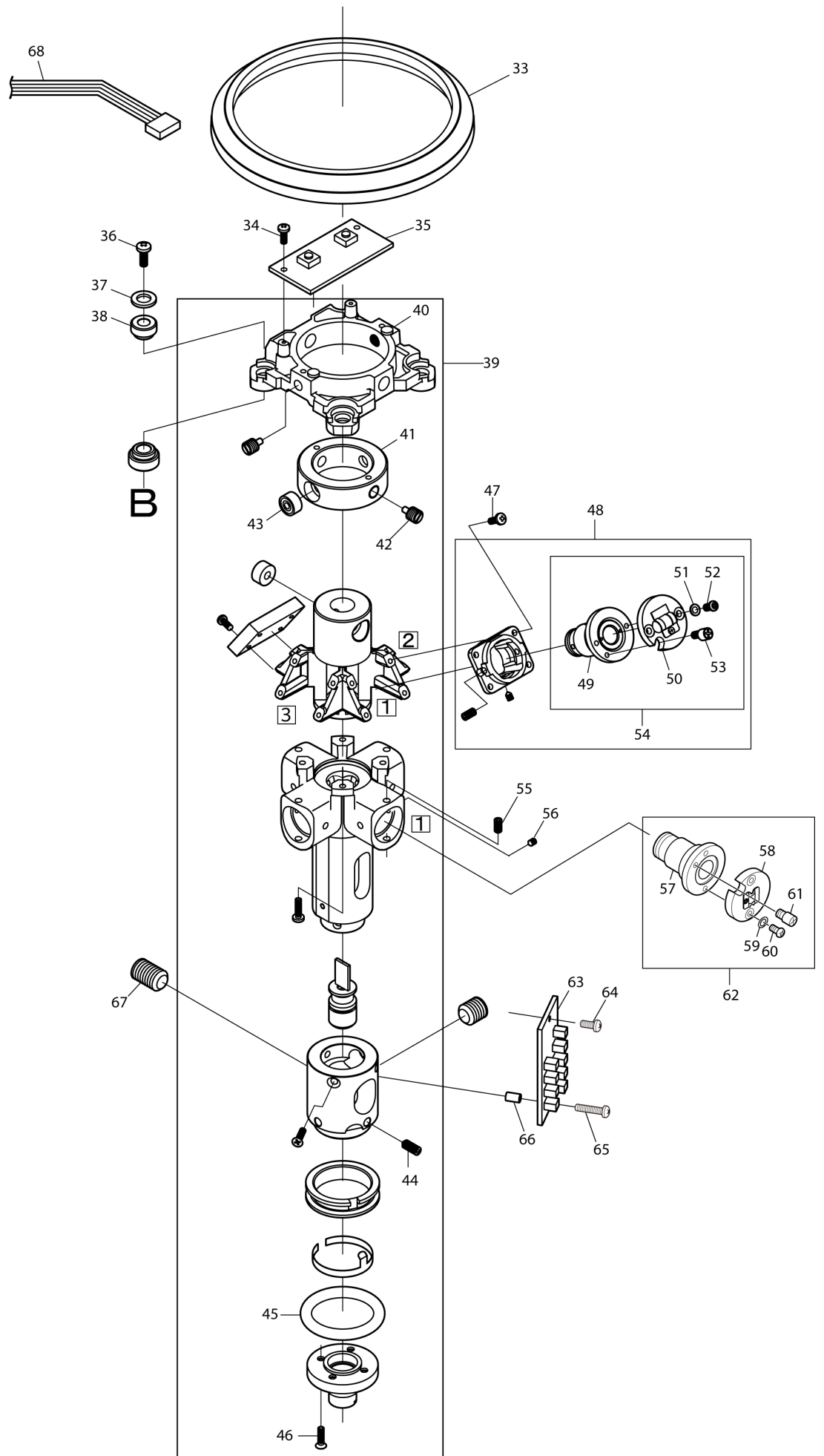
GREEN MULTI LINE LASER



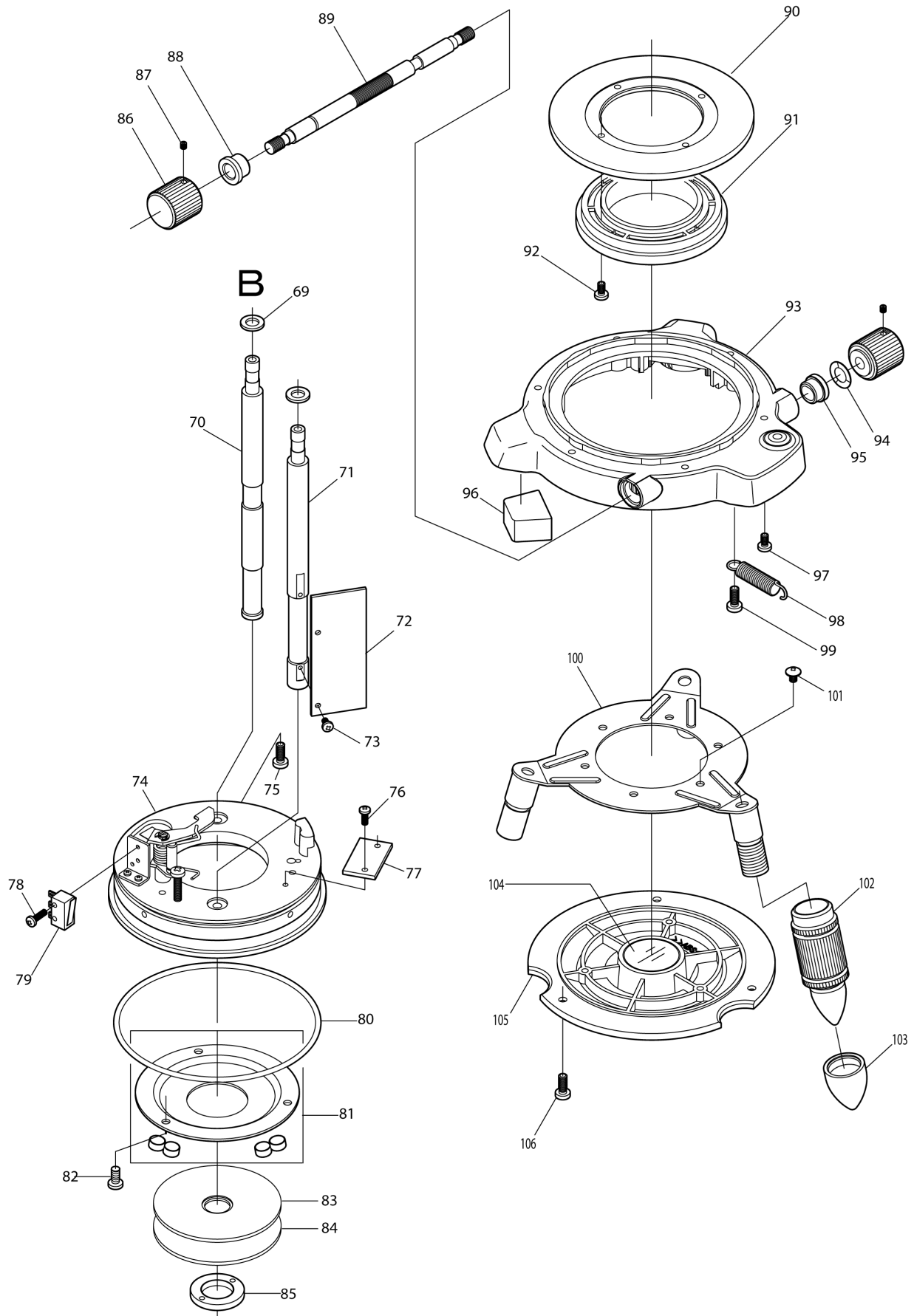
(VN) SK312GD / GREEN MULTI LINE LASER



(VN) SK312GD / GREEN MULTI LINE LASER



(VN) SK312GD / GREEN MULTI LINE LASER



VN	VIETNAM
-----------	----------------

SK312GD / GREEN MULTI LINE LASER

Item	Sub	Parts No.	Parts Description	Qty	I/C	E/C No.	Close No.	Remark
001		TK219UN101	SWITCH LABEL	1				
002		TK16010441	SWITCH BUTTON(4.1)	2				
002A		TK16010443	SWITCH BUTTON(4.3)	2				
002B		TK16010444	SWITCH BUTTON(4.4)	2				
003		TK219EUA01	HOUSING ASSEMBLY	1			Y07734	
	D10		INC. 4-22				Y07734	
003-1		TK219EUA01	HOUSING ASSEMBLY	1	<	Y07734	Y07810	
	D10		INC. 4-22,107,108			Y07734	Y07810	
003-2		TK2191EU01	HOUSING COMPLETE	1	<	Y07810		
	D10		INC. 4-10,13,14,17-22			Y07810		
004		TK02181041	HANDLE	2				
005		TK02181261	HANDLE RETAINER	2				
006		TKP4010FUS	+PANHEADSCREWM4X10(WITHRUBBER)	2				
007		TK02180127	GRIP RETAINER	2				
008		TKTT3010FB	+TRUSS HD. TAPPING SCREW 3X10	2				
009		TK02181051	GRIP	1				
010		TK219102EU	HOUSING COMPLETE	1			Y07734	
010-1		TK2191EU01	HOUSING COMPLETE	1	<	Y07734	Y07810	
	D10		INC. 11,12,15,16			Y07734	Y07810	
010-2		TK219102EA	HOUSING COMPLETE	1	<	Y07810		
	D10		INC. 11-18			Y07810		
011		TK00210106	GLASS V	3			Y07734	
011-1		TK00210106	GLASS V	2	<	Y07734		
012		TK02180128	GLASS V RETAINER LABEL	3			Y07734	
012-1		TK02180128	GLASS V RETAINER LABEL	2	<	Y07734		
013		TK02101071	GLASS H	1				
014		TK02180129	GLASS H RETAINER LABEL	1				
015		TK02190125	COVER V	1				
016		TK02190128	DOUBLE SIDES LABEL V	1				
017		TK02190126	COVER H	3			Y07663	
017-1		TK02190129	DOUBLE SIDES LABEL H	3	X	Y07663		
018		TK02190129	DOUBLE SIDES LABEL H	3			Y07663	
018-1		TK02190126	COVER H	3	X	Y07663		
019		TKAL411252	DC JUCK COVER	1				
020		TK02181302	COMPRESSION SPRING E	2				
021		TK00SB3000	STELL BALL 3	2				
022		TK219UN131	DC JUCK UN	1				
023		TK0P2550FB	+ PAN HEAD SCREW M2.5X5	4				
024		TK0195SA01	LOCK CAM COMPLETE	1			Y07853	
024-1		TK195SA011	LOCK CAM COMPLETE	1	O	Y07853		
025		TK01701192	LOCK LEVER	1				
026		TK03F2080N	COUTERSUNK HD. SCREW M2X8	2				
027		TK01700104	SWITCH KNOB LABEL	1			Y08662	
027-1		TK01700104	SWITCH KNOB LABEL	1	O	Y08662		
028		TKTP2040FU	+PAN HEAD SCREW 2X4	4				
029		TKTP2080FB	TAPPING SCREW 2X8	4			Y08662	
029-1		TKTP2080FB	TAPPING SCREW 2X8	4	O	Y08662		
030		TK02180008	BATTERY HOLDER COMPLETE	1				
031		TK219UN113	NAME PLATE 219UN	1				
032		TK02181242	BATTERY HOLDER GASKET	1				
033		TK02180103	HOUSING RETAINER RING	1			Y07779	
033-1		TK02181031	HOUSING RETAINER RING	1	O	Y07779		
034		TK03P2040N	PAN HD.SCREW M2X4	2				
035		TKLVF0076C	SWITCH UNIT	1				
036		TKOT3060FU	+TRUSS HD. SCREW 3X6	3				
037		TK0000PW50	FLAT WASHER 5	3				
038		TK01731383	PILLAR BUSH	6				
039		TK0219SA02	GIMBAL ASSEMBLY	1			Y07853	
	D10		INC. 40-46				Y07853	
039-1		TK219SA021	GIMBAL ASSEMBLY	1	S	Y07853		
	D10		INC. 40-46			Y07853		
040		TK01830135	UPPER FRAME	1				
041		TK00174111	GIMBAL INNER RING	1				
042		TK01730196	FULCRUM SCREW	4				
043		TK01730199	BALL BEARING	4				

Interchange
O : Yes
X : No
< : the new part can be substituted for the current.
> : the current part can be substituted for the new.
S : Interchangeable as a set.

VN	VIETNAM
-----------	----------------

SK312GD / GREEN MULTI LINE LASER

Item	Sub	Parts No.	Parts Description	Qty	I/C	E/C No.	Close No.	Remark
044		TKS3060FB5	HEX SOCKET HD. SCREW M3X6	4				
045		TK01730148	O RING	1				
046		TK0F2580B0	FLAT HEAD SCREW M2.5X8	4				
047		TK03P2040N	PAN HD.SCREW M2X4	16				
048		TK219SA03E	LASER UNIT V COMPLETE	3				
	D10		INC. 54					
049		TK02160111	LASER UNIT G COMPLETE	3			Y07663	
049-1		TK02160111	LASER UNIT G COMPLETE	1	O	Y07663		
050		TK00218012	LENS	3			Y07663	
050-1		TK00218012	LENS	1	O	Y07663		
051		TK0000PW20	FLAT WASHER	6			Y07663	
051-1		TK0000PW20	FLAT WASHER	2	O	Y07663		
052		TK03P2060N	PAN HD.SCREW M2X6	6			Y07663	
052-1		TK03P2060N	PAN HD.SCREW M2X6	2	O	Y07663		
053		TK0LV37351	ECCENTRIC SCREW	3			Y07663	
053-1		TK0LV37351	ECCENTRIC SCREW	1	O	Y07663		
054		TK219SA04E	LASER UNIT COMPLETE	3			Y07663	
	D10		INC. 49-53				Y07663	
054-1		TK219SA04E	LASER UNIT COMPLETE	1	O	Y07663		
	D10		INC. 49-53			Y07663		
055		TKS2550S05	H.S.SET SCREW(FLAT POINT)	2				
056		TKS2540FB4	H.S.SET SCREW M2.5X4	2				
057		TK02160111	LASER UNIT G COMPLETE	1				
058		TK00218012	LENS	1				
059		TK0000PW20	FLAT WASHER	2				
060		TK03P2060N	PAN HD.SCREW M2X6	2				
061		TK0LV37351	ECCENTRIC SCREW	1				
062		TK219SA04E	LASER UNIT COMPLETE	1				
	D10		INC. 57-61					
063		TKLVF0068B	CONTROL UNIT	1			Y07853	
063-1		TKLVF068B1	CONTROL UNIT G3L-LB-1	1	O	Y07853		
064		TK03P2040N	PAN HD.SCREW M2X4	1				
065		TK03P2080N	PAN HD. SCREW M2X8	1				
066		TKST2060FZ	SPACER	1				
067		TK0219SET1	BALANCER WEIGHT SET	1			Y07723	
068		TK0LVE3044	LEAD UNIT A	1				
069		TK0000PW50	FLAT WASHER 5	3				
070		TK01701146	PILLAR A	2				
071		TK02100118	PILLAR B	1				
072		TKLVF00753	POWER SUPPLY UNIT	1				
073		TK03P2040N	PAN HD.SCREW M2X4	2				
074		TK0218SA05	LOWER FRAME COMPLETE	1				
075		TK0P3080FU	+PAN HD. SCREW M3X8	3				
076		TK03P2040N	PAN HD.SCREW M2X4	2				
077		TK0LVF0066	CONNECTOR UNIT	1				
078		TK03P2080N	PAN HD. SCREW M2X8	2				
079		TK0TL32108	SWITCH	1				
080		TK01501151	O RING	1				
081		TK0173SA13	MAGNET UNIT	1			Y07853	
081-1		TK173SA131	MAGNET UNIT	1	S	Y07853		
082		TK0P3060FU	+PAN HEAD SCREW M3X6	3				
083		TK00170132	DAMPER PLATE A	1			Y07853	
084		TK01730156	DAMPER PLATE B	1			Y07853	
084-1		TK01730156	DAMPER PLATE B	2	S	Y07853		
085		TKLV272921	RING NUT	1				
086		TK01970106	ADJUSTING WHEEL	2				
087		TKS2540FB4	H.S.SET SCREW M2.5X4	2				
088		TK01821171	BUSH	1				
089		TK01821141	ADJUSTING ROD	1				
090		TK01821161	ROTATION RING	1				
091		TK01821152	ADJUSTING RING	1				
092		TK0P2550FU	+PAN HD. SCREW M2.5X5	4				
093		TK0218118S	ADJUSTING FLAME	1				
094		TK00WW50S0	WAVE WASHER 5	1				
095		TK01850105	BUSH	1				

Interchange
O : Yes
X : No
< : the new part can be substituted for the current.
> : the current part can be substituted for the new.
S : Interchangeable as a set.

