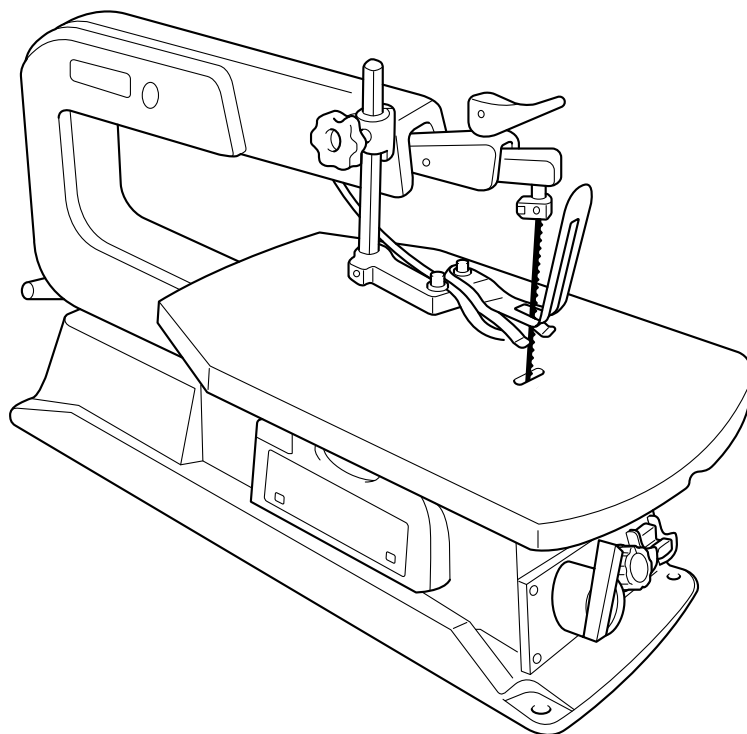




<b>EN</b>	Variable speed Scroll saw	Instruction manual
<b>ID</b>	Mesin gergaji ukir halus (scroll saw) Kecepatan variabel	Petunjuk penggunaan
<b>VI</b>	Máy cưa lọng để bàn hoạt động bằng động cơ điện	Tài liệu hướng dẫn
<b>TH</b>	เลื่อยจigsawแบบปรับความเร็วได้ขนาด	คู่มือการใช้งาน

**SJ401**



# SPECIFICATIONS

Throat	406 mm
Blade length	125 mm
Stroke per minute	400-1,600
Overall length	600 mm
Net weight	14.1kg

\* Manufacturer reserves the right to change specifications without notice.

\* Note: Specifications may differ from country to country.

**WARNING: For your personal safety, READ and UNDERSTAND before using.**

**SAVE THESE INSTRUCTIONS FOR FUTURE REFERENCE**

## Contents

<b>General Safety Rules</b> .....	2
<b>Special Safety Rules for Scroll Saw</b> .....	3
<b>Unpacking and Checking Contents</b> .....	4
<b>Getting To Know Your Scroll Saw</b> .....	5
<b>Glossary of Terms</b> .....	6
<b>Assembly &amp; Adjusting</b> .....	6
MOUNTING SCROLL SAW TO WORKBENCH .....	6
SETTING THE TABLE FOR HORIZONTAL OR	
BEVEL CUTTING .....	7
ADJUSTING HOLD DOWN .....	7
ADJUSTING DUST BLOWER .....	7
ALIGNING THE BEVEL INDICATOR .....	7
INSTALLING PIN END BLADES .....	8
INSTALLING PLAIN END BLADES .....	8
REMOVING PLAIN END BLADES .....	8
SPEED CONTROL KNOB/ON-OFF SWITCH .....	9
<b>Basic Scroll Saw Operation</b> .....	9
MAKING INTERIOR SCROLL CUTS .....	10
BEFORE EACH USE: .....	10
CHOICE OF BLADE AND SPEED .....	10
<b>Maintaining Your Scroll Saw</b> .....	11
<b>Trouble Shooting</b> .....	12

## General Safety Rules

- 1. Know Your Power Tool**  
Read and understand the owner's manual and labels affixed to the tool. Learn its application and limitations as well as the specific potential hazards peculiar to this tool.
- 2. Ground all Tools**  
This tool is equipped with an approved 3-conductor cord and a 3-prong grounding type plug to fit the proper grounding type receptacle. The green conductor in the cord is the grounding wire. Never connect the green wire to a live terminal.
- 3. Keep Work Area Clean**  
Cluttered areas and benches invite accidents. Floor must not be slippery due to wax or sawdust.
- 4. Avoid Dangerous Environment**  
Don't use power tools in damp or wet locations or expose them to rain. Keep work area well lighted. Provide adequate surrounding work space.
- 5. Keep Guards in Place**  
In working order, and in adjustment and alignment.
- 6. Remove Adjusting keys and Wrenches**  
Form a habit of checking to see that keys and adjusting wrenches are removed from tool before turning it on.
- 7. Keep Children Away**  
All visitors should be kept a safe distance from work area.
- 8. Make Workshop Child Proof**

- With padlocks, master switches, or by removing starter keys.
- 9. Don't Force Tool**  
It will do the job better and safer at the rate for which it was designed.
  - 10. Never Stand on Tool**  
Serious injury could occur if the tool is tipped or if the cutting tool is accidentally contacted.  
Do not store materials above or near the tool such that it is necessary to stand on the tool to reach them.
  - 11. Use Right Tool**  
Don't force tools or attachment to do a job it was not designed for.
  - 12. Wear Proper Apparel**  
Do not wear loose clothing, gloves, neckties or jewelry (rings wristwatches) to get caught in moving parts. NONSLIP footwear is recommended.  
Wear protective hair covering to contain long hair. Roll long sleeves above the elbow.
  - 13. Secure Work**  
Use clamps or a vise to hold work when practical. It's safer than using your hands and frees both hands to operate tool.
  - 14. Use Safety Goggles**  
Wear safety goggles (must comply with ANSIZ87.1) at all times. Everyday eyeglasses only have impact resistant lenses, they are NOT safety glasses. Also, use face or dust mask if cutting operation is dusty, and ear protectors (plugs or muffs) during extended periods or operation.
  - 15. Don't Overreach**  
Keep proper footing and balance at all times.
  - 16. Check Damaged Parts**  
Before further use of the tool, a guard or other part that is damaged should be carefully checked to ensure that it will operate properly and perform its intended function. Check for alignment of moving parts, binding of moving parts, breakage of parts, mounting, and any other conditions that may affect its operation. A guard or any part that is damaged should be properly repaired or replaced.
  - 17. Use Recommended Accessories**  
Consult the owner's manual for recommended accessories. Follow the instructions that accompany the accessories. The use of improper accessories may cause hazards.
  - 18. Disconnect Tools**  
Before servicing; when changing accessories such as blades, bits, cutter, etc.
  - 19. Direction of Feed**  
Feed work into a blade or cutter against the direction of rotation of the blade or cutter only.
  - 20. Maintain Tools with Care**  
Keep tools sharp and clean for best and safest performance. Follow instructions for lubricating and changing blades, bits, cutters, etc.

## 21. Avoid Accidental Starting

Makes sure switch is in "OFF" position before plugging in power cord.

## 22. Never Leave Tool Running Unattended

Turn power off. Don't leave tool until it comes to a complete stop.

# Special Safety Rules for Scroll Saw

### **WARNING:**

**For your own safety, do not operate your scroll saw until it is completely assembled and installed according to the instructions ... and until you have read and understood the following:**

1. Should any part of this scroll saw be missing, bent, or fail in any way, or any electrical component fail to perform properly, shut off power switch and remove plug from power supply outlet. Replace damaged, missing, and/or failed parts before resuming operation.
2. **Think Safety**  
Safety is a combination of operator common sense and alertness whenever the scroll saw is in operation.
3. **Stability of Tool**  
Your scroll saw must be bolted securely to stand or work bench. In addition, if there is any tendency for the scroll saw to move during certain operations, bolt your scroll saw stand or workbench to the floor.
4. **Location**  
To avoid fire or explosions, never use this tool where flammable vapors or gases are in the air. To avoid injury from dropped unit, unplug saw before moving it. This scroll saw is intended for indoor use only.
5. **Protection: Eyes, Hands, Face, Ears, and Body**
  - A. To avoid being pulled into the blade:
    - Roll long sleeves above elbows
    - Do not wear gloves, jewelry, ties or other loose clothing.
    - Tie back long hair
  - B. Do not cut pieces of material too small to hold by hand outside the blade guard/hold down.
  - C. Avoid awkward hand positions where a sudden slip could cause a hand to move into the blade.
  - D. To avoid slips due to lifting of the work piece make sure the blade teeth point downward toward the table.
  - E. To avoid blade breakage always adjust blade tension correctly.
  - F. To avoid losing control of the workpiece or tool:
    - When cutting a large piece of material make sure it is fully supported at table height.
    - Hold the workpiece firmly against the table.
    - Do not feed the material too fast while cutting. Only feed the material fast enough so that the blade will cut.
    - Use caution when cutting off material which is irregular in cross section and could pinch the blade before the cut is completed. A piece of molding, for example, must lay flat on the table and not be permitted to rock while being cut.
    - Use caution when cutting off round material such as dowel rods, or tubing. They have a tendency to roll while being cut causing the blade to bite. Use a V-block to control the piece.
  - G. When backing the blade out of the workpiece, the blade may bind in the kerf (cut) .. this is usually caused by sawdust clogging up the kerf. If this happens: Turn off the

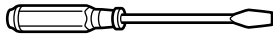
scroll saw .. remove plug from power source outlet ... wedge open the kerf ... back the blade out of the workpiece.

- H. To avoid unsupervised use or accidents due to inattention.
- Never leave the scroll saw work area with the power on, before the tool has come to a complete stop.
  - Do not perform layout, assembly or set up work on the table while the cutting tool is in operation.
  - Turn saw "OFF" and remove plug from power supply outlet before installing or removing an accessory attachment.
  - Never turn your scroll saw "ON" before clearing the table of all objects: (tools, scraps of wood, etc.) except for the work piece and related feed or support devices for the operation planned.

# Unpacking and Checking Contents

## TOOLS NEEDED FOR ASSEMBLY

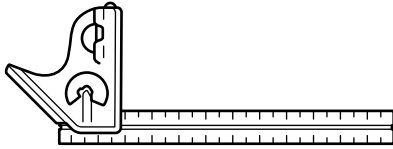
COMBINATION SQUARE MUST BE TRUE



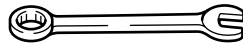
Medium Screwdriver



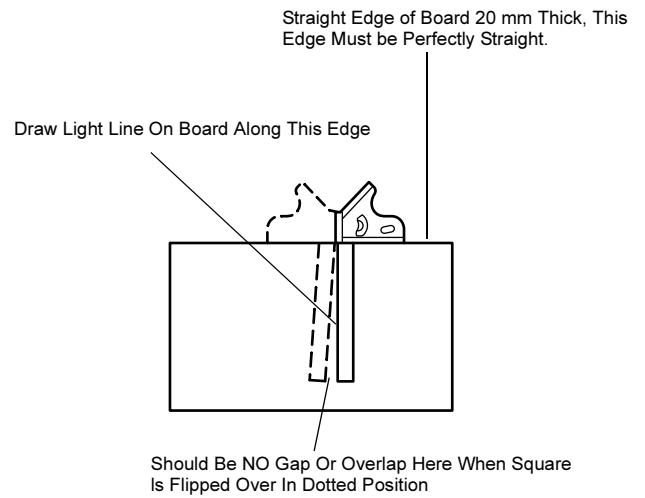
Phillips Screwdriver



Combination square



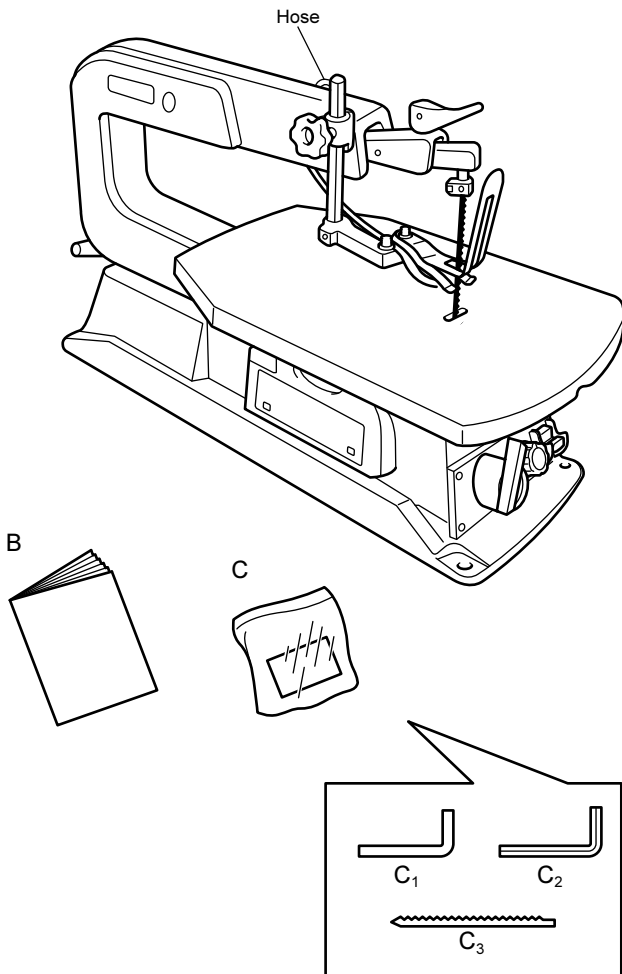
10 mm Wrench



**⚠ WARNING:**  
To avoid injury from unexpected starting or electrical shock, do not plug the saw in until all assembly and alignment steps are complete. The power cord must remain unplugged whenever you are working on the saw.

The scroll saw is shipped complete in one carton. Separate all parts from packing materials and check each item with illustration and "Table of Loose Parts". Make certain all items are accounted for, before discarding any packing material.

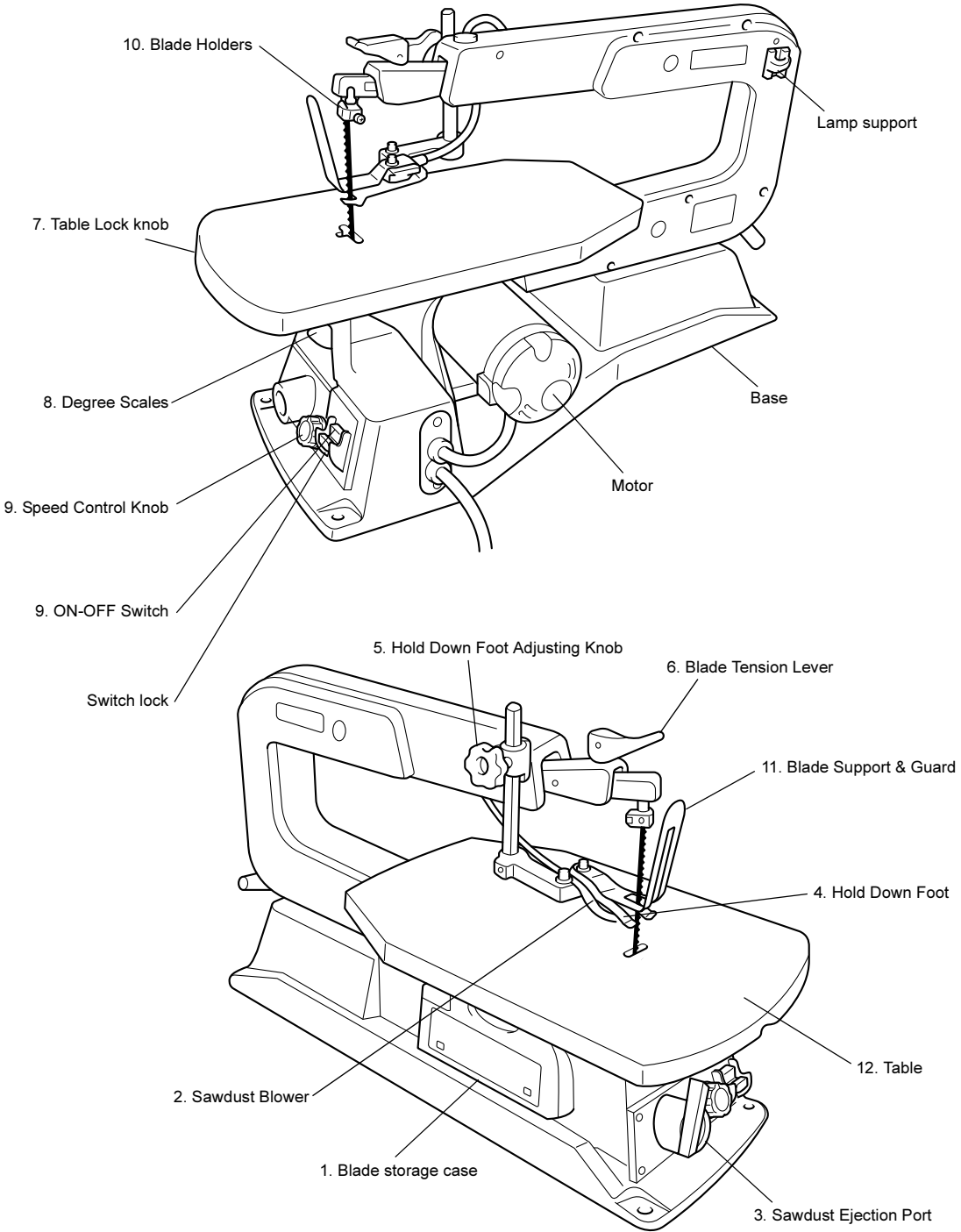
**NOTE:**  
Insert the hose to air diaphragm before starting.



**⚠ WARNING:**  
If any parts are missing, do not try to assemble the scroll saw, plug in the power cord or turn the switch on until the missing parts are obtained and installed correctly.

ITEM	TABLE OF LOOSE PARTS	QTY
A	Basic saw assembly	1
B	Owners Manual	1
C	Loose Parts Bag	
	Containing the following parts:	
C <sub>1</sub>	Blade Change Rod	1
C <sub>2</sub>	Hex Wrench "L"	1
C <sub>3</sub>	Saw blade	6

# Getting To Know Your Scroll Saw



# Getting To Know Your Scroll Saw

This versatile heavy-duty scroll saw is great for making toys, puzzles, games, artwork, and jewelry, and because of its cutting capacity, it is a handy do-it-yourself tool. It cuts wood and plastic up to 50 mm thick.

## 1. Blade Storage Case

Your scroll saw is equipped with a blade storage area located on the side of the saw. The blade storage area conveniently stores the blade set screws, allen wrenches and both pin and plain end blades. **You can open the case with pressing the top.**

## 2. Sawdust Blower

Keeps workpiece clean for more accurate scroll cuts. For best results, always direct air flow from blower tube at blade and workpiece. To adjust, loosen set screw in the foot assembly, position tube and tighten screw.

**CAUTION:** To prevent blower tube from collapsing DO NOT OVERTIGHTEN.

## 3. Sawdust Ejection Port

Your scroll saw is equipped with a vacuum hook-up. This feature will allow you to attach any 32 mm vacuum hose into the hole provided for convenient sawdust removal.

## 4. Hold Down Foot

The foot should always be lowered until it just rests on top of the workpiece to prevent workpiece from lifting, but not so much that the workpiece drags.

## 5. Hold Down Foot Adjusting Knob

Allows you to raise or lower the foot and lock it at desired heights.

## 6. Blade Tension Lever

Allows you to loosen or tighten the blade tension by rotating the lever.

## 7. Table Lock Knob

Allows you to tilt the table and lock it at desired angle up to 45 degrees.

## 8. Degree Scale

Shows the degree the table is tilted.

## 9. Speed Control Knob/ON-OFF Switch

For speed control setting, refer to the "Choice of Blade and Speed" table. The ON-OFF Switch has a locking feature. **THIS FEATURE IS INTENDED TO HELP PREVENT UNAUTHORIZED USE BY CHILDREN AND OTHERS.**

## 10. Blade Holders

Retain and position the blade

## 11. Blade Support & Guard

Defines area of moving blade and supports blade

## 12. Table

Provides working surface to support workpiece.

## Trailing Edge

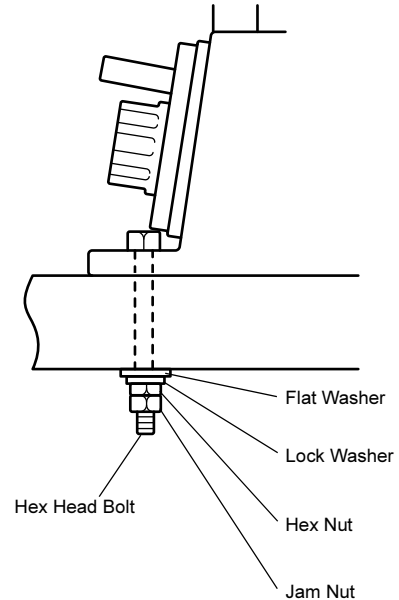
The workpiece edge last cut by the saw blade.

## Workpiece

The item on which the cutting operation is being performed.

# Assembly & Adjusting

## MOUNTING SCROLL SAW TO WORKBENCH



### ⚠ WARNING:

**Turn off saw and unplug before making any adjustments.**

1. When mounting this saw to a workbench, a solid bench is preferable to a plywood bench where noise and vibration will be more noticeable.
2. Hardware to mount this saw to a workbench is NOT SUPPLIED with the saw. However, we recommend the hardware used be no smaller than the following.

Quantity	Description
3	Hex Head Bolts, M8 Required
3	Flat Washers, 8
3	Lockwasher, 8
6	Hex Nuts, M8

3. Example of mounting this scroll saw to workbench, as shown.

# Glossary of Terms

## Kerf

The slot cut by the blade.

## Leading Edge

The edge of the workpiece which is pushed into the blade first.

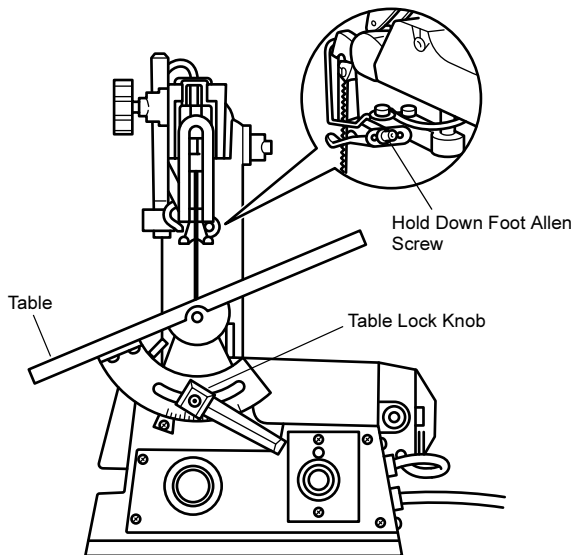
## Sawblade Path

The area of the workpiece directly in line with and moving toward the saw blade edge.

## Blade Tooth Set

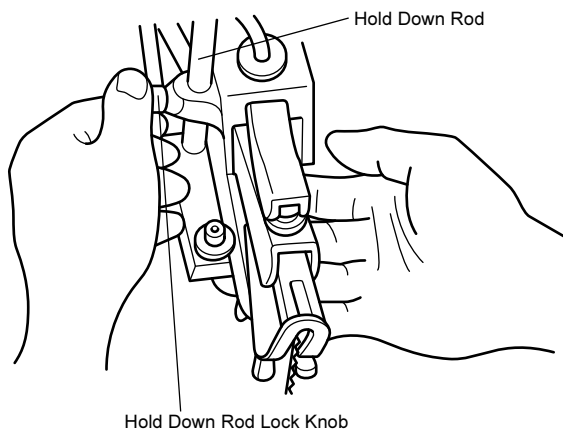
The distance that the edge of the saw blade tooth is bent (onset) outward from the side of the blade.

## SETTING THE TABLE FOR HORIZONTAL OR BEVEL CUTTING



1. Loosen the table lock knob, and the saw table can be tilted to the left and locked at any angle from 0 degree horizontal cutting position up to 45 degrees for bevel cutting.
2. A degree scale is also provided under the work table as a convenient reference for setting the approximate table angle for bevel cutting. When greater precision is required, make practice cuts and adjust the table as necessary for your requirements.
3. **NOTE:** When cutting at angles, the hold down can be tilted so it's parallel to the table and rests flat against the workpiece. To tilt foot, loosen allen screw, tilt foot so it's parallel to table and securely tighten screw.

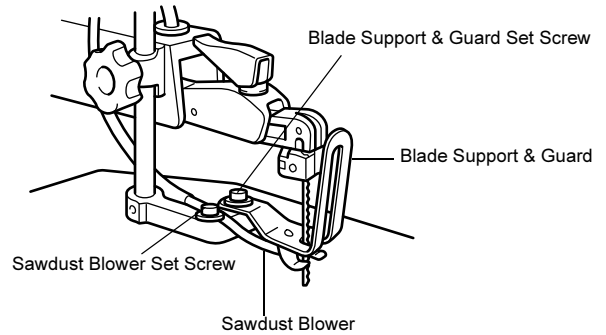
## ADJUSTING HOLD DOWN



The hold down should be adjusted so it contacts the top surface of the work being cut by loosening adjusting knob and moving hold down rod up or down.

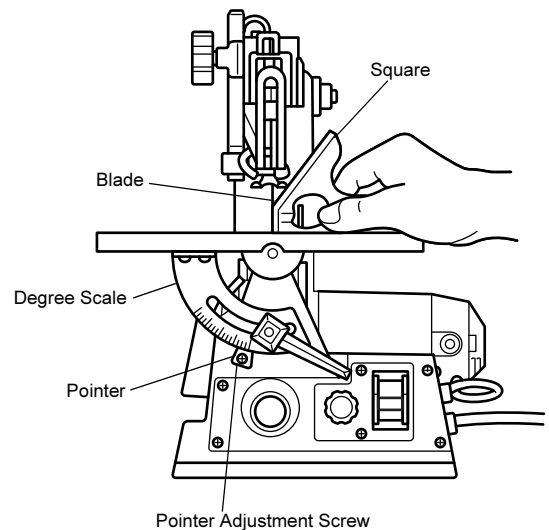
Tighten adjusting knob after adjustment has been made.

## ADJUSTING DUST BLOWER



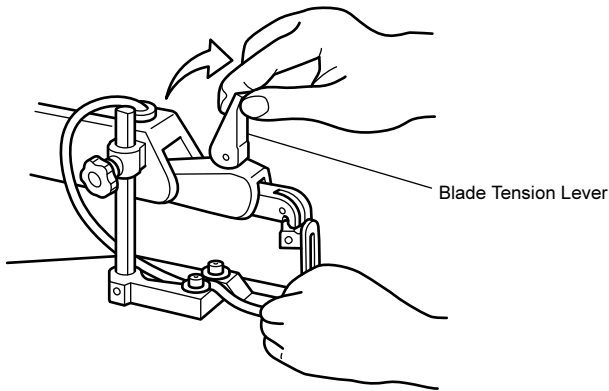
The dust blower may be moved to direct air to the most effective point on the cutting line by loosening screw, adjust dust blower accordingly and tighten screw.

## ALIGNING THE BEVEL INDICATOR



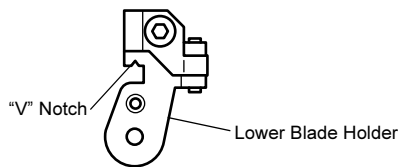
1. Loosening the hold down adjusting knob and moving hold down rod up. Then tighten adjusting knob.
2. Loosen the table lock knob and move the table until it is approximately perpendicular, or at a right angle to the blade.
3. Place a small square on the table next to the blade to check if the table is 90 degrees to the blade. If adjustment is needed, raise or lower the table until table is approximately 90 degrees to the blade and securely tighten the table lock knob.
4. Loosen the screw holding the degree scale pointer, move pointer to the 0 degree mark and securely tighten screw. Remember, the degree scale is a convenient guide but should not be relied upon for precision. Make practice cuts on scrap wood to determine if your angle setting are correct.
5. Remove the hold down rod to desired position.

## INSTALLING PIN END BLADES

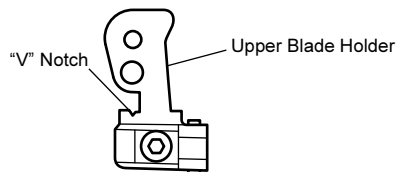


**⚠ WARNING:**  
To avoid injury from unexpected tool movement, always unplug the saw before installing, removing, or replacing the blade.

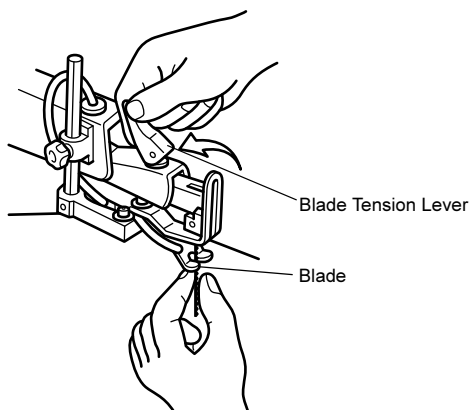
1. Unplug power cord from outlet.
2. Install blade with the tension lever in vertical position.
3. Install the blade through the insert opening. Have the teeth pointing down. Engage the pin into the "V" notch of the lower blade holder.



4. Pull up on the blade and engage the upper pin in the notch of the upper blade holder.



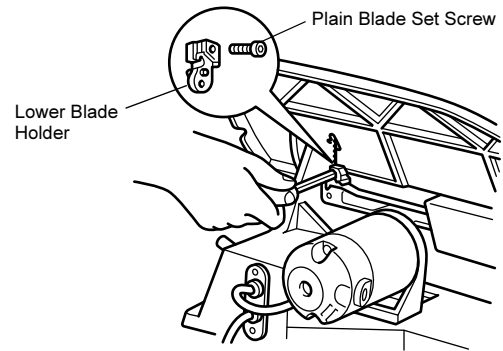
5. Flip tension lever down to horizontal position to lock in tension.



### NOTE:

For your own need, turn blade tension lever clockwise until blade is tensioned.

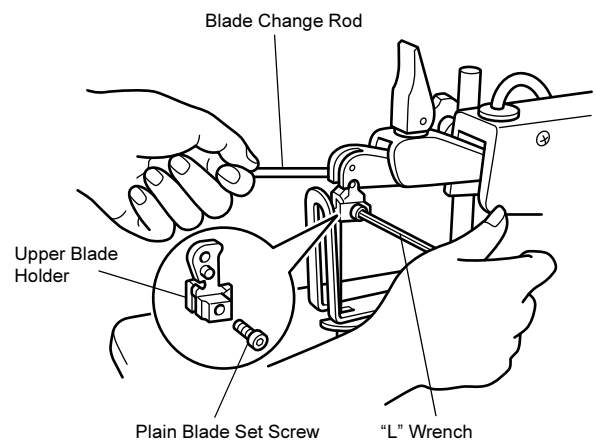
## INSTALLING PLAIN END BLADES



### NOTE:

For plain end blades, the set screw of the blade holders needs to be used. The set screws are supplied in the loose parts bag.

1. Unplug power cord from outlet.
2. Install blade with the tension lever in vertical position.
3. Install the new blade through the insert hole in the table, and into the lower blade holder. Position the lower end of the blade in the lower blade holder.
4. Tighten the plain blade set screw using the "L" wrench.
5. Use the same procedure to install the blade into the upper blade holder. Tighten the blade set screw using the "L" wrench, while holding the blade change rod in position.



6. Remove the "L" wrench and the blade change rod from the blade holder.
7. Flip tension lever down to a horizontal position to lock in tension.
8. If necessary, turn blade tension lever clockwise until blade is tensioned.

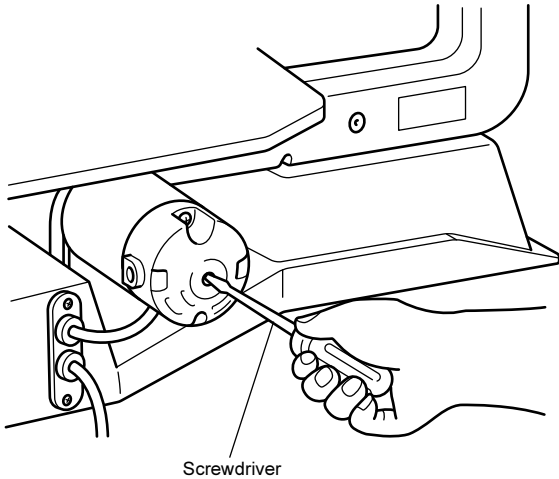
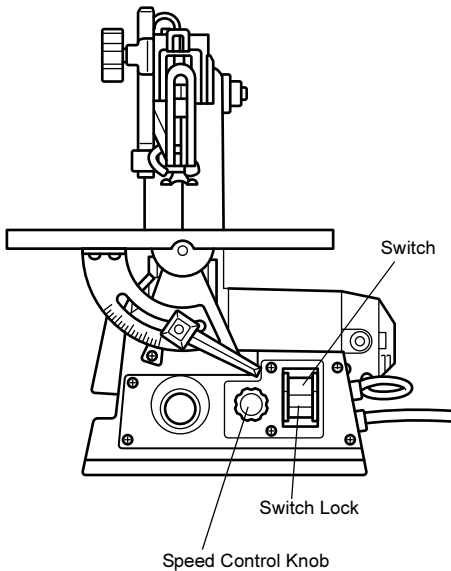
## REMOVING PLAIN END BLADES

1. Insert the blade change rod through the hole above the blade holder and loosen the blade set screw of the blade holder with the "L" wrench.
2. Remove the blade from upper blade holder.
3. Use the same procedure to remove the blade from the lower blade holder.



**NOTE:**

Before plugging saw in, use screwdriver to turn the motor shaft at least one cycle and insure the blade is properly installed.

**SPEED CONTROL KNOB/ON-OFF SWITCH**

1. Turn ON switch.  
If the Switch Lock is disconnected, the Switch will not inadvertently come ON.

**Note**

- The jig saw blade does not begin to move immediately after the Switch is turned ON. This is normal, it is not a malfunction, etc.
2. The speed of the scroll saw can be changed to suit application. Turn the Speed Control Knob in the clockwise direction (↻) to increase the strokes per minute. Turn it in the anticlockwise direction (↺) to reduce the strokes per minute.
  3. Turn OFF the switch.

**Note**

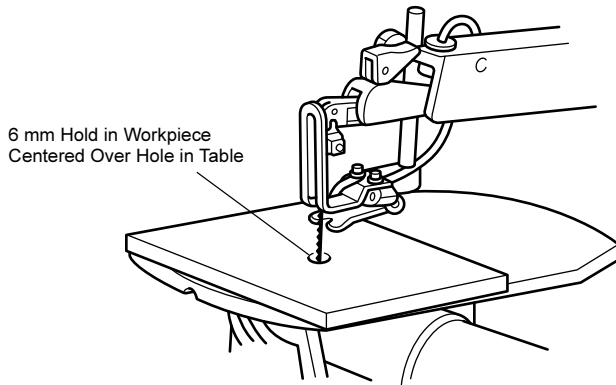
- This scroll saw has a built-in overload protector. (If the jig saw blade is overworked, the motor will instantly stop to protect itself.) In cases where the built-in overload protector has stopped the motor, turn OFF the ON/OFF Switch, to release the overload protector. Disconnect the machine's power plug from the power socket, remove the cut material from around the saw blade, and restart.

**Basic Scroll Saw Operation**

PLEASE, read and understand the following items about your scroll saw before attempting to use the saw.

1. Allow the saw to cut wood by guiding the wood into the blade as it moves.
2. The blade teeth cut wood ONLY on the down stroke.
3. You must guide the wood into the blade slowly because the teeth of the blade are very small and they can only remove wood on the down stroke.
4. There is a learning curve for each person who wants to use this saw. During that period of time, it is expected that some blades will break until you learn how to use the saw and receive the greatest benefit from the blades.
5. Best results are achieved when cutting wood less than 25 mm thick.
6. When cutting wood thicker than 25 mm, the user must guide the wood very, very slowly into the blade and take extra care not to bend or twist the blade while cutting.
7. Teeth on the scroll saw blades wear out and as such must be replaced frequently for best cutting results. Scroll saw blades generally stay sharp for 1/2 hour to 2 hours of cutting.
8. To get accurate cuts, be prepared to compensate for the blades' tendency to follow other wood grain as you are cutting.
9. This scroll saw is intended to cut wood or material similar to wood only.
10. When choosing a blade to use with your scroll saw, consider the following carefully.
  - Very fine, narrow blades should be used to scroll cut in thin wood 6 mm thick or less.
  - To cut wood over 6 mm thick, use wider blades.
  - Most blade packages state the size or thickness of wood which that blade is intended to cut, and the radius, size of curve, which can be cut with that blade.
  - Wider blades can't cut curves as tight or small as thinner blades.
  - Narrower blades work well only on thinner wood material.
11. This saw uses 125 mm long pin or plain end type blades.
12. Blades wear faster when cutting plywood, which is very abrasive; when sawing wood which is thicker than 20 mm blade stroke; and when sawing hardwood, or when side pressure is placed on the blade.

## MAKING INTERIOR SCROLL CUTS



1. One of the features of this saw is that it can be used to make scroll cuts on the interior of a board without breaking or cutting into the outline or perimeter of the board.

**⚠ WARNING:**  
To avoid injury from accidental starting, always push control knob "OFF" and remove plug from power source outlet before removing or replacing the blade.

2. To make interior cuts in a board, remove the scroll saw blade as explain in the Assembly Section.
3. Drill a 6 mm hole in the board you will use to make interior cuts.
4. Place the board on the saw blade with the hole in the board over the access hole in the table.
5. Install blade through hole in board and adjust blade tension.
6. When finished making the interior scroll cuts, simply remove the blade from the blade holders, as described in the Assembly Section, and remove the board from the table.

### BEFORE EACH USE:

#### Inspect your saw

DISCONNECT THE SAW. To avoid injury from accidental starting, unplug the saw, push the switch "OFF" and lock the switch before changing the setup or removing covers, guards, or blade.

#### Inspect your workpiece

Make sure there are no nails or foreign objects in the part of the workpiece to be cut.

#### Use extra caution with large, very small or awkward workpieces:

- Never use this tool to cut pieces too small to hold by hand.

- Use extra supports (tables, saw horses, blocks, etc.) for any workpieces large enough to tip when not held down to the table top.
- NEVER use another person as a substitute for a table extension, or as additional support for a workpiece or to help feed, support or pull the workpiece.
- When cutting irregularly shaped workpieces, plan your work so it will not pinch the blade. A piece of molding, for example, must lay flat or be held by a fixture or jig that will not let it twist, rock or slip while being cut.
- Properly support round material such as dowel rods, or tubing. They have a tendency to roll during a cut, causing the blade to "bite". To avoid this, always use a "V" block.
- Cut only one workpiece at a time.
- Clear everything except the workpiece and related support devices off the table before turning the saw on.

#### Plan the way you will hold the workpiece from start to finish

Do not hand hold pieces so small that your fingers will go under the work hold-down. Use jigs or fixtures to hold the work and keep your hands away from the blade.

#### Before freeing any jammed material:

- Push switch "OFF".
- Lock the switch.
- Unplug the saw.
- Wait for all moving parts to stop.

#### When backing out the workpiece, the blade may bind in the kerf (cut). This is usually caused by sawdust clogging up the kerf. If this happens:

- Push switch "OFF".
- Lock the switch.
- Unplug the saw.
- Wait for all moving parts to stop.
- Remove the blade from the blade holders.
- Remove workpiece with blade from the table. Remove blade from workpiece.
- Push switch "OFF".

#### Before removing loose pieces from the table, turn saw off and wait for all moving parts to stop.

### CHOICE OF BLADE AND SPEED

The scroll saw accepts a wide variety of blade widths and thicknesses. The blade width and thickness and the number of teeth per inch are determined by the type of material and the size of the radius being cut. See the following chart.

Teeth/Inch	Width	Thickness	Speed (Strokes/Min.)	Material Cut
10	2.5 mm	0.46 mm	C (1200 - 1600)	Popular size for cutting hard and soft woods 5 mm up to 50 mm. Also plastics, paper, felt, bone, etc.
15	2.5 mm	0.46 mm	B (600 - 1200)	Wood, plastic, extremely thin cuts on materials 2.5 mm to 13 mm thick.
18	2.4 mm	0.25 mm	A (400 - 600)	For tight radius work in thin materials 3.4 mm to 3 mm wood veneer, wood, bone, fiber, ivory, plastic, etc.

As a general rule, always select the narrowest blades recommended for intricate curve cutting and widest blades for straight and large curve cutting operation.

# Maintaining Your Scroll Saw

## MAINTENANCE

**⚠ WARNING:**  
For your own safety, push control knob "OFF" and remove plug from power source outlet before maintaining or lubricating your saw.

### General

An occasional coat of paste wax on the work table will allow the wood being cut to glide smoothly across the work surface.

### Motor

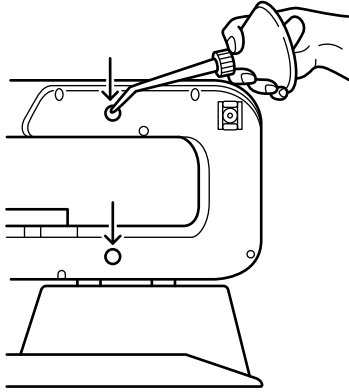
If the power cord is worn, cut or damaged in any way, have it replaced immediately.

Do not attempt to oil the motor bearings or service the motor internal parts.

### Arm Bearings

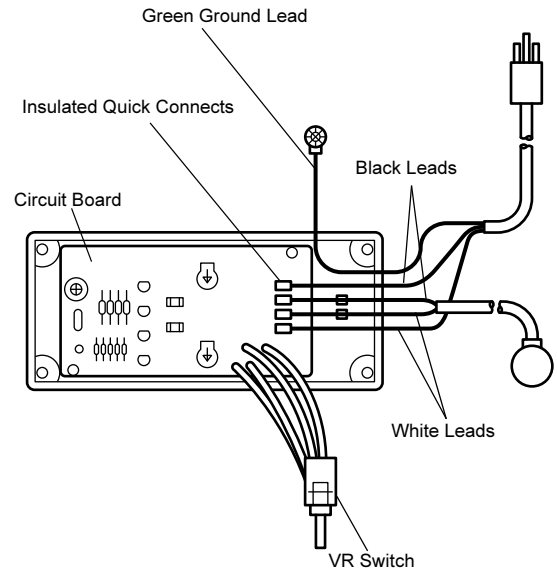
Lubricate the arm bearings after 10 hours of use. Re-oil after every 50 hours of use or whenever there is squeak coming from the bearings.

### METHOD OF OILING BEARINGS



1. Turn saw on its side.
2. Squirt a generous amount of SAE20 Oil around the shaft end and bronze bearing.
3. Let the oil soak in overnight in this position.
4. Next day repeat the above procedure for the opposite side of the saw.

## WIRING DIAGRAM



**⚠ WARNING:**  
To avoid electrocution or fire, repair electricals only with recommended service parts, and reassemble exactly as originally received when new.

# Trouble Shooting

**⚠ WARNING:**  
Turn switch "OFF" and always remove plug from the power source before trouble shooting.

TROUBLE	PROBLEM	REMEDY
Breaking blades	<ol style="list-style-type: none"> <li>1. Wrong tension.</li> <li>2. Over working blade.</li> <li>3. Wrong blade application.</li> <li>4. Twisting blade in wood.</li> <li>5. Incorrect teeth per inch.</li> </ol>	<ol style="list-style-type: none"> <li>1. Adjust blade tension.</li> <li>2. Reduce feed rate.</li> <li>3. Use narrow blades for cutting thin wood, wide blades for thicker wood.</li> <li>4. Avoid side pressure on blade.</li> <li>5. Blade should have minimum 3 teeth in contact with workpiece.</li> </ol>
Motor will not run.	<ol style="list-style-type: none"> <li>1. Defective cord or plug.</li> <li>2. Defective motor.</li> <li>3. Defective wire connections.</li> </ol>	<ol style="list-style-type: none"> <li>1. Replace defective parts before using saw again.</li> <li>2. Consult Service Center. Any attempt to repair this motor may void warranty.</li> <li>3. HAZARD unless repair is done by a qualified service technician.</li> </ol>
Vibration <b>NOTE:</b> There will always be some vibration present when the saw is running because of motor operation.	<ol style="list-style-type: none"> <li>1. Improper mounting of saw.</li> <li>2. Unsuitable mounting surface.</li> <li>3. Loose table or table resting against motor.</li> <li>4. Loose motor mounting.</li> </ol>	<ol style="list-style-type: none"> <li>1. See "MOUNTING SCROLL SAW TO WORKBENCH".</li> <li>2. The heavier your work bench is, the less vibration will occur. A plywood workbench will not be as good a work surfaces the same size solid lumber workbench. Use common sense in choosing a mounting surface.</li> <li>3. Tighten table lock knob.</li> <li>4. Tighten motor mounting screws.</li> </ol>

**NOTE:**  
Consult your local Service Center if for any reason your motor will not run.

# SPESIFIKASI

Leher	406 mm
Panjang bilah	125 mm
Langkah per menit	400-1.600
Panjang keseluruhan	600 mm
Berat bersih	14,1kg

\* Perusahaan pembuat berhak untuk mengubah spesifikasi tanpa pemberitahuan.

\* Catatan: Spesifikasi dapat berbeda dari satu negara ke negara lainnya.

**PERINGATAN: Demi keselamatan diri Anda, BACA dan PAHAMi sebelum menggunakan.**

**SIMPANLAH PETUNJUK INI UNTUK ACUAN DI MASA MENDATANG**

## Daftar Isi

Kaidah Keselamatan Umum .....	13
Kaidah Keselamatan Khusus untuk Gergaji Ukir Halus .....	14
Membuka Kemasan dan Memeriksa Isi .....	15
Mengenal Gergaji Ukir Halus Anda .....	16
Daftar Istilah .....	17
Perakitan & Penyetelan .....	17
MEMASANG GERGAJI UKIR HALUS PADA MEJA KERJA .....	17
MENGATUR MEJA UNTUK PEMOTONGAN HORIZONTAL ATAU MIRING .....	18
MENYESUAIKAN PENAHAN-TEKAN .....	18
MENYETEL BLOWER DEBU .....	18
MELURUSKAN INDIKATOR KEMIRINGAN .....	18
MEMASANG BILAH BERUJUNG PASAK .....	19
MEMASANG BILAH BERUJUNG POLOS .....	19
MELEPAS BILAH BERUJUNG POLOS .....	19
KENOP PENGATUR KECEPATAN/SAKELAR ON-OFF .....	20
Pengoperasian Dasar Gergaji Ukir Halus .....	20
MEMBUAT POTONGAN UKIRAN INTERIOR .....	21
SETIAP KALI SEBELUM MENGGUNAKAN: .....	21
PILIHAN BILAH DAN KECEPATAN .....	21
Merawat Gergaji Ukir Halus .....	22
Pemecahan Masalah .....	23

## Kaidah Keselamatan Umum

### 1. Kenali Mesin Listrik Anda

Baca dan pahami buku petunjuk pemilik dan label yang terpasang pada mesin. Pelajari aplikasi dan keterbatasannya serta potensi bahaya spesifik yang khusus untuk mesin ini.

### 2. Bumikan Semua Mesin

Mesin ini dilengkapi dengan kabel 3-konduktor dan steker 3-kaki tipe arde untuk ditancapkan pada stopkontak berarde yang sesuai. Konduktor hijau pada kabel merupakan kawat arde. Jangan sekali-kali menghubungkan kawat hijau ke terminal hidup.

### 3. Jaga Kebersihan Tempat Kerja

Tempat dan meja yang berantakan akan mengundang kecelakaan. Lantai tidak boleh licin karena lilin atau serbuk gergaji.

### 4. Hindari Lingkungan yang Berbahaya

Jangan gunakan mesin listrik di lokasi yang lembap atau basah atau membiarkannya terkena air hujan. Pastikan tempat kerja selalu terang. Sediakan ruang kerja sekitar yang memadai.

### 5. Pasang Semua Pelindung di Tempatnya

Dalam kondisi baik, dan sudah disetel dan diluruskan.

### 6. Lepaskan Kunci penyetel dan Kunci pas.

Biasakan untuk memastikan bahwa kunci dan kunci pas penyetel sudah dilepaskan dari mesin sebelum menghidupkannya.

### 7. Jauhkan Anak-Anak

Semua tamu harus berada dalam jarak aman dari area kerja.

### 8. Jadikan Bengkel Kerja Aman bagi Anak-anak

Dengan gembok, sakelar induk, atau dengan mencabut kunci starter.

### 9. Jangan Memaksa Mesin

Mesin berfungsi lebih baik dan lebih aman pada kecepatan sesuai rancangannya.

### 10. Jangan Sekali-kali Berdiri di Atas Mesin

Cedera serius bisa terjadi jika mesin miring atau jika mata pemotong secara tidak sengaja tersentuh.

Jangan menyimpan material di atas atau di dekat mesin sehingga Anda harus berdiri di atas mesin untuk menjangkanya.

### 11. Gunakan Mesin yang Tepat

Jangan memaksa mesin atau alat tambahan untuk melakukan pekerjaan yang tidak sesuai dengan rancangannya.

### 12. Kenakan Pakaian yang Sesuai

Jangan mengenakan pakaian yang longgar, sarung tangan, dasi, atau perhiasan (cincin, jam tangan) yang dapat tersangkut pada komponen bergerak. Alas kaki ANTISELIP sangat dianjurkan.

Pakailah penutup rambut untuk menahan rambut panjang.

Gulung lengan panjang sampai di atas siku.

### 13. Amankan Tempat Kerja

Gunakan klem atau ragum untuk menahan benda kerja bila memungkinkan. Cara tersebut lebih aman daripada menggunakan tangan Anda dan juga akan membebaskan kedua tangan untuk mengoperasikan mesin.

### 14. Gunakan Kacamata Pengaman

Kenakan kacamata pengaman (harus sesuai dengan ANSIZ87.1) setiap saat. Kacamata sehari-hari hanya memiliki lensa tahan benturan, BUKAN kacamata pengaman. Juga, gunakan masker wajah atau debu jika pekerjaan pemotongan menghasilkan debu, dan pelindung telinga (sumbat atau penutup) selama periode atau pengoperasian yang berkepanjangan.

### 15. Jangan Meraih Terlalu Jauh

Pertahankan pijakan dan keseimbangan yang baik setiap saat.

### 16. Periksa Bagian yang Rusak

Sebelum menggunakan mesin lebih jauh, pelindung atau bagian lain yang rusak harus diperiksa dengan teliti untuk memastikan apakah bagian itu dapat berjalan normal sesuai fungsinya. Periksa kelurusan bagian bergerak, kemacetan bagian bergerak, adanya bagian yang pecah, pemasangan, dan kondisi lain yang mungkin dapat mempengaruhi pengoperasian. Pelindung atau komponen lain yang rusak harus diperbaiki dengan benar atau diganti.

### 17. Gunakan Aksesori yang Disarankan

Bacalah buku petunjuk pemilik untuk aksesori yang disarankan. Patuhi petunjuk yang disertakan dengan aksesori.

Penggunaan aksesoris yang tidak tepat dapat menimbulkan bahaya.

#### 18. Putuskan Daya Mesin

Sebelum menyervis; saat mengganti aksesoris seperti bilah gergaji, mata bor, pemotong, dll.

#### 19. Arah Pengumpanan

Umpangkan benda kerja ke bilah gergaji atau pemotong hanya melawan arah putaran bilah atau pemotong.

#### 20. Rawat Mesin dengan Hati-Hati

Jaga mesin selalu tajam dan bersih untuk mendapatkan kinerja yang terbaik dan teraman. Patuhi petunjuk untuk melumasi dan mengganti bilah, mata bor, pemotong, dll.

#### 21. Hindari Penyalaan yang Tidak Sengaja

Pastikan sakelar dalam posisi "OFF" sebelum menancapkan kabel daya.

#### 22. Jangan Sekali-kali Meninggalkan Mesin dalam Keadaan Berjalan Tanpa Ditunggu

Matikan aliran dayanya. Jangan tinggalkan mesin sampai mesin benar-benar berhenti.

- D. Untuk menghindari selip karena benda kerja terangkat, pastikan gigi bilah menunjuk ke arah bawah, ke meja.
- E. Untuk menghindari bilah patah, selalu sesuaikan tegangan bilah dengan benar.
- F. Untuk menghindari kehilangan kontrol atas benda kerja atau mesin:

- Saat memotong potongan besar material, pastikan bahwa potongan itu ditopang sepenuhnya pada ketinggian meja.
- Tekan benda kerja kuat-kuat pada meja.
- Jangan mengumpangkan material terlalu cepat sewaktu memotong. Umpangkan material sesuai dengan kecepatan pemotongan bilah saja.
- Berhati-hatilah saat memotong material yang bentuknya tidak teratur secara melintang dan dapat menjepit bilah sebelum potongan selesai. Sebuah cetakan, misalnya, harus diletakkan mendatar di atas meja dan tidak boleh dibiarkan terayun waktu dipotong.
- Berhati-hatilah saat memotong material bulat seperti batang dowel, atau tuba. Benda-benda seperti ini cenderung menggelinding saat dipotong sehingga menyebabkan bilah macet. Gunakan blok-V untuk mengontrol potongan.

- G. Saat memundurkan bilah keluar dari benda kerja, bilah dapat terjepit di dalam kerf (irisasi) .. ini biasanya disebabkan oleh serbuk gergaji yang menyumbat kerf. Jika ini terjadi: Matikan gergaji ukir halus ..cabut steker dari stopkontak sumber daya ... bajir kerf agar terbuka ... mundurkan bilah keluar dari benda kerja.

- H. Untuk menghindari penggunaan tanpa pengawasan atau kecelakaan karena tidak berhati-hati.
  - Jangan sekali-kali meninggalkan area kerja gergaji ukir halus dengan daya hidup, sebelum mesin berhenti sepenuhnya.
  - Jangan menjalankan pekerjaan tata letak, merakit, atau persiapan di meja sewaktu mesin pemotong sedang bekerja.
  - Tekan sakelar gergaji ke "OFF" dan cabut steker dari stop kontak catu daya sebelum memasang atau melepaskan aksesoris tambahan.
  - Jangan sekali-kali menekan sakelar gergaji ukir halus ke "ON" sebelum membersihkan meja dari semua benda: (alat, serpihan kayu, dll.) kecuali untuk benda kerja dan perangkat pengumpan atau penopang yang berkaitan dengan pekerjaan yang direncanakan.

## Kaidah Keselamatan Khusus untuk Gergaji Ukir Halus

### **⚠ PERINGATAN:**

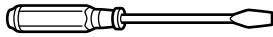
**Demi keselamatan Anda sendiri, jangan operasikan gergaji ukir halus ini sampai gergaji dirakit lengkap dan dipasang sesuai dengan petunjuk ... dan sampai Anda membaca dan memahami berikut ini:**

1. Apabila ada bagian dari gergaji ukir halus ini yang hilang, bengkok, atau tercecce, atau komponen kelistrikkannya tidak bekerja dengan baik, matikan sakelar daya mesin dan cabut steker dari stop kontak catu daya. Ganti komponen yang rusak, hilang, dan/atau gagal sebelum melanjutkan kembali penggunaannya.
2. **Pikirkan Keselamatan**  
Keselamatan adalah gabungan dari akal sehat operator dan kewaspadaan setiap kali gergaji ukir halus digunakan.
3. **Stabilitas Mesin**  
Gergaji ukir halus Anda harus dibautkan dengan kencang ke dudukan atau meja kerja. Selain itu, jika ada kecenderungan gergaji ukir halus untuk bergerak selama pengoperasian tertentu, bautkan dudukan atau meja kerja gergaji ukir Anda ke lantai.
4. **Lokasi**  
Guna menghindari kebakaran atau ledakan, jangan sekali-kali menggunakan mesin ini bila di udara terkandung uap atau gas mudah menyala. Untuk menghindari cedera akibat unit terjatuh, cabut kabel gergaji sebelum memindahkannya. Gergaji ukir halus ini dimaksudkan hanya untuk penggunaan dalam ruang.
5. **Perlindungan: Mata, Tangan, Wajah, Telinga, dan Badan**
  - A. Untuk menghindari tertarik ke arah bilah:
    - Gulung lengan panjang sampai di atas siku
    - Jangan kenakan sarung tangan, perhiasan, dasi, atau pakaian longgar lainnya.
    - Ikat rambut panjang ke belakang
  - B. Jangan membuat potongan material yang terlalu kecil untuk bisa dipegang dengan tangan di luar pelindung bilah/ penahan-tekan.
  - C. Hindari posisi tangan yang sulit, yang dapat menyebabkan tangan bergerak ke arah bilah jika terjadi selip tiba-tiba.

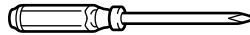
# Membuka Kemasan dan Memeriksa Isi

## ALAT YANG DIPERLUKAN UNTUK MERAKIT

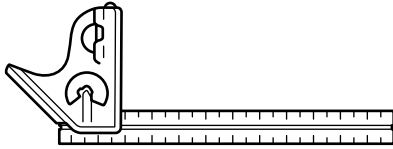
### MISTAR SIKU KOMBINASI HARUS BENAR



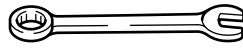
Obeng Ukuran Sedang



Obeng Plus



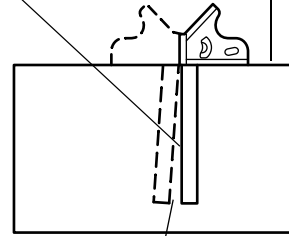
Mistar siku kombinasi



Kunci pas 10 mm

Tepi Lurus Papan dengan Tebal 20 mm, Tepi Ini Harus Lurus Sempurna.

Gambar Garis Tipis pada Papan di Sepanjang Tepi Ini



Sebaiknya TIDAK ADA Celah Atau Tumpang Tindih Di Sini Saat Mistar Siku Dibalik di Atas Posisi Garis Putus-Putus

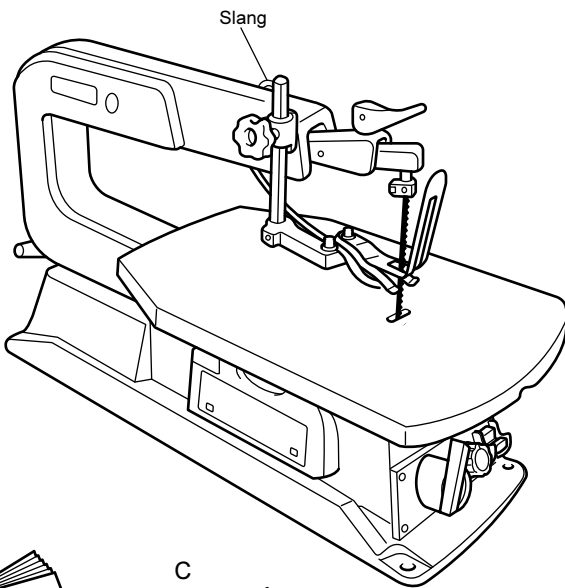
#### ⚠ PERINGATAN:

Untuk menghindari cedera dari penyalan tidak disengaja atau sengatan listrik, jangan tancapkan gergaji sampai semua langkah perakitan dan pelurusan selesai. Kabel daya harus terus dicabut selama Anda mengerjakan gergaji.

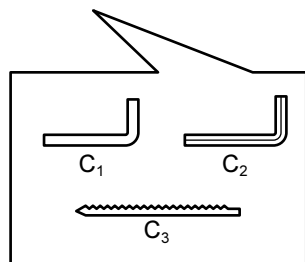
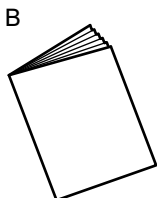
Gergaji ukir halus dikirimkan lengkap dalam satu karton. Pisahkan semua komponen dari bahan kemasan dan periksa setiap item dengan gambar dan "Tabel Komponen Lepas". Pastikan semua item sudah dipastikan ada, sebelum membuang bahan kemasan.

#### CATATAN:

Masukkan slang ke diafragma udara sebelum menyalakan.



Slang

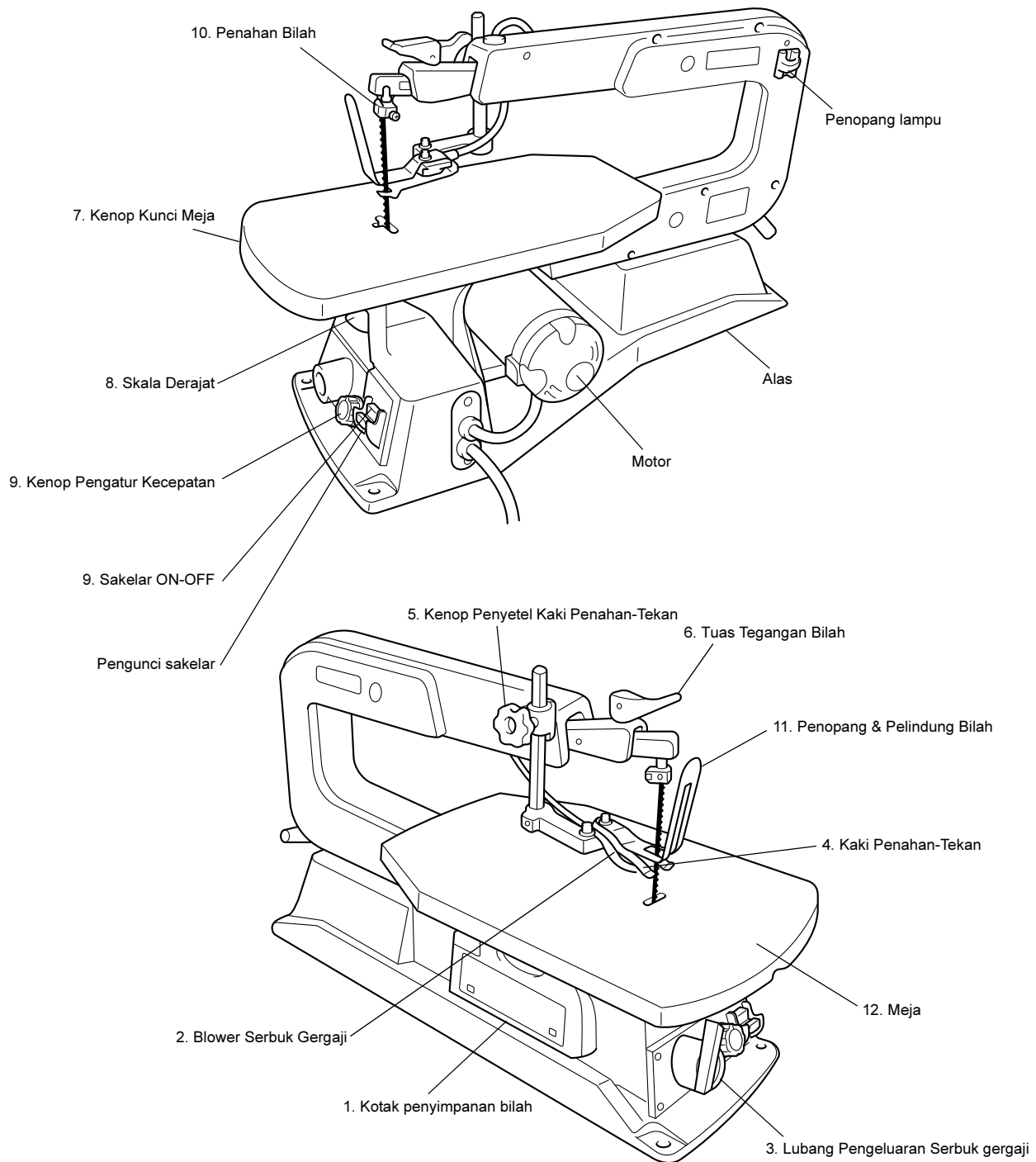


#### ⚠ PERINGATAN:

Jika ada komponen yang hilang, jangan mencoba untuk merakit gergaji ukir halus, menancapkan kabel daya atau menghidupkan sakelar sampai komponen yang hilang diperoleh dan dipasang dengan benar.

ITEM	TABEL KOMPONEN LEPASAN	JML
A	Rakitan gergaji dasar	1
B	Buku Petunjuk Pemilik	1
C	Kantong Komponen Lepas Berisi komponen berikut ini:	
C <sub>1</sub>	Batang Pengganti Bilah	1
C <sub>2</sub>	Kunci Hex "L"	1
C <sub>3</sub>	Bilah gergaji	6

# Mengenal Gergaji Ukir Halus Anda





# Mengenal Gergaji Ukir Halus Anda

Gergaji ukir halus untuk tugas berat serba guna ini sangat bagus untuk membuat mainan, puzzle, game, karya seni, dan perhiasan, dan karena kapasitas pemotongannya, mesin ini merupakan alat berkarya yang sangat mudah digunakan. Mesin ini memotong kayu dan plastik hingga ketebalan 50 mm.

## 1. Kotak Penyimpanan Bilah

Gergaji ukir halus Anda dilengkapi dengan area penyimpanan bilah yang berada di sisi gergaji. Area penyimpanan bilah menyimpan dengan baik sekrop penyetel bilah, kunci L, dan bilah berujung pasak, serta bilah berujung polos. **Anda bisa membuka kotak ini dengan menekan bagian atasnya.**

## 2. Blower Serbuk Gergaji

Jagalah agar benda kerja bersih untuk pemotongan ukir yang lebih akurat. Untuk hasil terbaik, selalu arahkan aliran udara dari tuba blower pada bilah dan benda kerja. Untuk menyesuaikan, kendurkan sekrop penyetel di rakitan kaki, posisikan tuba, dan kencangkan sekrop.

**PERHATIAN:** Untuk mencegah tuba blower kempis, **JANGAN MENGENCANGKAN TERLALU KUAT.**

## 3. Lubang Pengeluaran Serbuk gergaji

Gergaji ukir halus Anda dilengkapi dengan pengait vakum. Fitur ini memungkinkan Anda untuk memasang slang vakum 32 mm ke dalam lubang yang disediakan untuk pembuangan serbuk gergaji dengan mudah.

## 4. Kaki Penahan-Tekan

Kaki harus selalu diturunkan sampai menempel saja pada benda kerja untuk mencegah benda kerja terangkat, tetapi tidak sampai membuat benda kerja terseret.

## 5. Kenop Penyetel Kaki Penahan-Tekan

Memungkinkan Anda untuk menaikkan atau menurunkan kaki dan menguncinya pada ketinggian yang diinginkan.

## 6. Tuas Tegangan Bilah

Memungkinkan Anda untuk mengendurkan atau mengencangkan tegangan bilah dengan memutar tuas.

## 7. Kenop Kunci Meja

Memungkinkan Anda untuk memiringkan meja dan menguncinya pada sudut yang diinginkan hingga 45 derajat.

## 8. Skala Derajat

Memperlihatkan derajat kemiringan meja.

## 9. Kenop Pengatur Kecepatan/Sakelar ON-OFF

Untuk penyetelan pengatur kecepatan, lihat tabel "Pilihan Bilah dan Kecepatan". Sakelar ON-OFF memiliki fitur penguncian. **FITUR INI DIMAKSUDKAN UNTUK MEMBANTU MENCEGAH PENGGUNAAN TANPA IZIN OLEH ANAK-ANAK DAN ORANG LAIN.**

## 10. Penahan Bilah

Menahan dan memosisikan bilah

## 11. Penopang & Pelindung Bilah

Menentukan area bilah bergerak dan menopang bilah

## 12. Meja

Menyediakan permukaan kerja untuk menopang benda kerja.

# Daftar Istilah

## Kerf

Lubang irisan yang dibuat oleh bilah.

## Tepi Depan

Tepi benda kerja yang didorong ke bilah pertama kali.

## Jalur Bilah Gergaji

Area benda kerja yang tepat segaris dengan tepi bilah gergaji dan bergerak menuju ke bilah gergaji.

## Set Gigi Bilah

Jarak tepi gigi bilah gergaji bengkok (awal) ke luar dari sisi bilah.

## Tepi Ekor

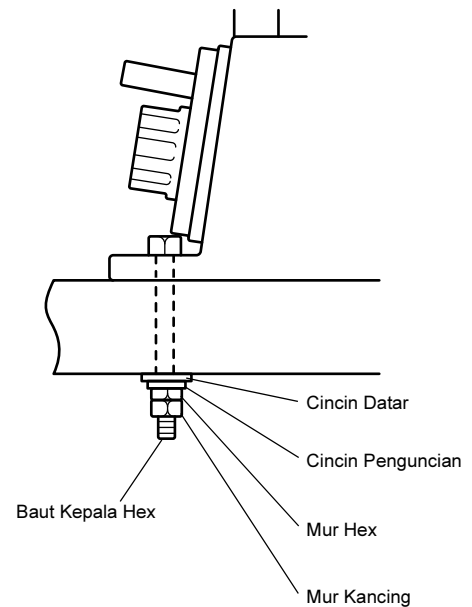
Tepi benda kerja yang terakhir dipotong oleh bilah gergaji.

## Benda Kerja

Benda yang padanya pekerjaan pemotongan dilakukan.

# Perakitan & Penyetelan

## MEMASANG GERGAJI UKIR HALUS PADA MEJA KERJA



### ⚠ PERINGATAN:

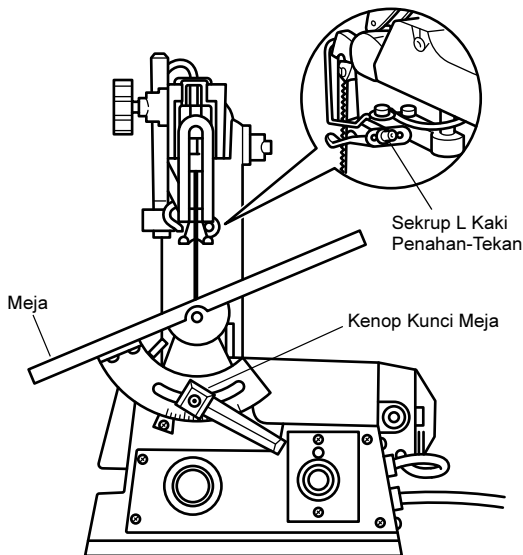
**Matikan dan cabut gergaji sebelum melakukan penyesuaian apa pun.**

1. Ketika memasang gergaji ini ke meja kerja, bangku kayu padat lebih baik daripada bangku kayu lapis karena pada kayu lapis, kebisingan dan getaran akan lebih terasa.
2. Perangkat keras untuk memasang gergaji ini ke meja kerja **TIDAK DISERTAKAN** bersama gergaji. Namun, kami menyarankan agar perangkat keras yang digunakan tidak lebih kecil dari berikut ini.

Jumlah	Keterangan
3	Baut Kepala Hex, M8 Diperlukan
3	Cincin Datar, 8
3	Cincin pengunci, 8
6	Mur Hex, M8

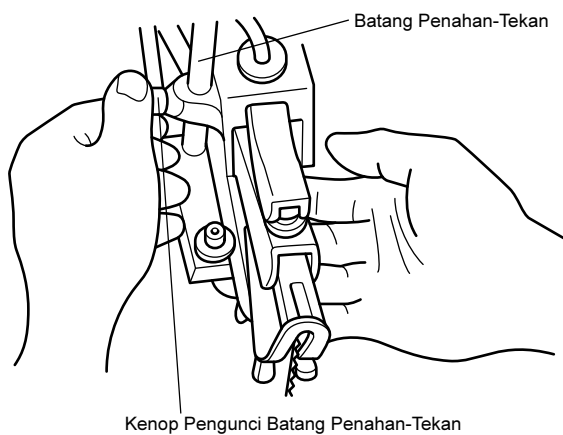
3. Contoh memasang gergaji ukir halus ini ke meja kerja, seperti diperlihatkan.

## MENGATUR MEJA UNTUK PEMOTONGAN HORIZONTAL ATAU MIRING



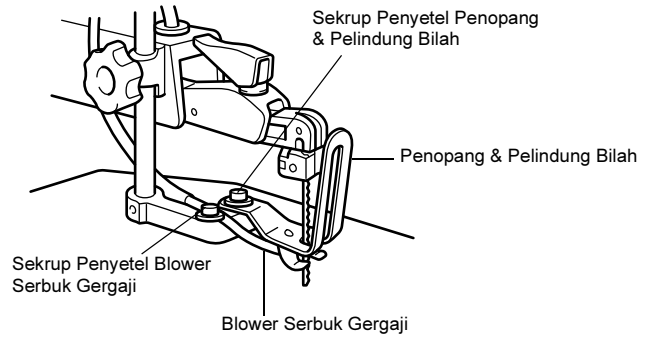
1. Kendurkan kenop kunci meja, dan meja gergaji dapat dimiringkan ke kiri dan dikunci pada sembarang sudut dari posisi pemotongan horizontal 0 derajat hingga 45 derajat untuk pemotongan miring.
2. Skala derajat juga tersedia di bawah meja kerja sebagai acuan yang mudah untuk menyetel sudut kira-kira meja untuk pemotongan miring. Bila presisi yang lebih tinggi diperlukan, lakukan pemotongan latihan dan sesuaikan meja sebagaimana perlu untuk kebutuhan Anda.
3. CATATAN: Saat memotong pada sudut tertentu, penahan-tekan dapat dimiringkan sehingga sejajar dengan meja dan menempel rata pada benda kerja. Untuk memiringkan kaki, kendurkan sekrup L, miringkan kaki sehingga sejajar dengan meja, dan kencangkan sekrup kuat-kuat.

## MENYESUAIKAN PENAHAN-TEKAN



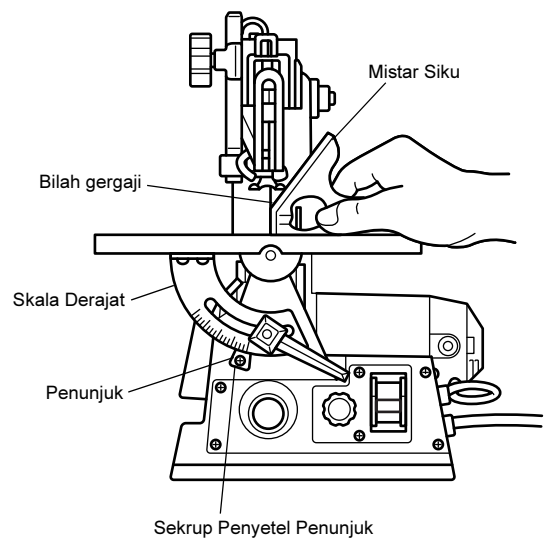
Penahan-tekan harus disesuaikan sehingga menyentuh permukaan atas benda yang dipotong dengan mengendurkan kenop pengatur dan menggerakkan batang penahan-tekan ke atas atau ke bawah.  
Kencangkan kenop penyetel setelah penyetelan dilakukan.

## MENYETEL BLOWER DEBU



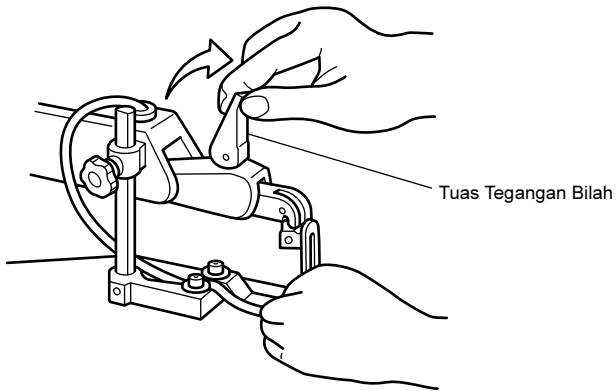
Blower debu dapat digerakkan untuk mengarahkan udara ke titik yang paling efektif pada garis pemotongan dengan mengendurkan sekrup, menyetel blower debu sesuai kebutuhan, lalu mengencangkan lagi sekrup itu.

## MELURUSKAN INDIKATOR KEMIRINGAN



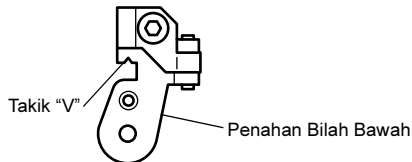
1. Kendurkan kenop penyetel penahan-tekan dan gerakkan batang penahan-tekan ke atas. Lalu kencangkan kenop penyetel.
2. Kendurkan kenop kunci meja dan gerakkan meja sampai kira-kira tegak lurus, atau pada sudut tegak lurus terhadap bilah.
3. Tempatkan mistar siku kecil pada meja di dekat bilah untuk memeriksa apakah meja berada pada sudut 90 derajat terhadap bilah. Jika penyetelan diperlukan, naikan atau turunkan meja sampai meja bersudut sekitar 90 derajat terhadap bilah dan kencangkan kuat-kuat kenop kunci meja.
4. Kendurkan sekrup yang menahan penunjuk skala derajat, gerakkan penunjuk ke tanda 0 derajat, dan kencangkan sekrup kuat-kuat. Ingat, skala derajat merupakan pemandu yang memudahkan tetapi sebaiknya tidak terlalu diandalkan untuk presisinya. Lakukan pemotongan latihan pada kayu sisa untuk menentukan apakah setelan sudut Anda sudah benar.
5. Lepaskan batang penahan-tekan ke posisi yang diinginkan.

## MEMASANG BILAH BERUJUNG PASAK

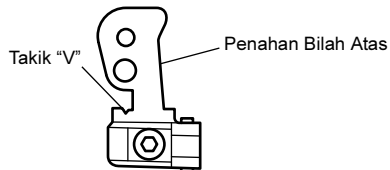


**⚠ PERINGATAN:**  
Untuk menghindari cedera akibat gerakan mesin yang tidak terduga, selalu cabut steker gergaji sebelum memasang, melepas, atau mengganti bilah.

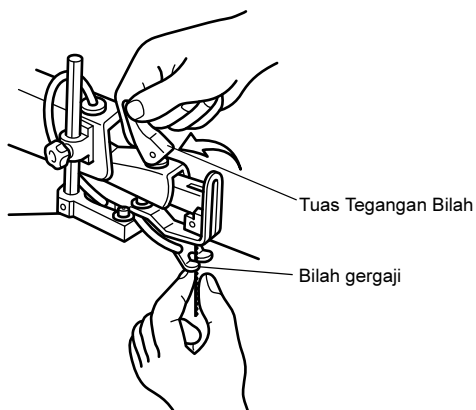
1. Cabut kabel daya dari stopkontak.
2. Pasang bilah dengan tuas tegangan dalam posisi vertikal.
3. Pasang bilah melalui bukaan penyisipan. Arahkan gigi ke bawah. Masukkan pasak ke takik "V" penahan bilah bawah.



4. Tarik bilah dan pasang pasak atas dalam takik penahan bilah atas.



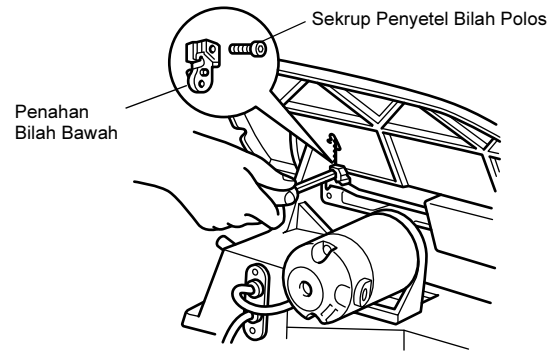
5. Balik tuas tegangan ke bawah ke posisi horizontal untuk mengunci tegangan.



### CATATAN:

Untuk kebutuhan Anda sendiri, putar tuas tegangan bilah searah jarum jam sampai bilah terasa kencang.

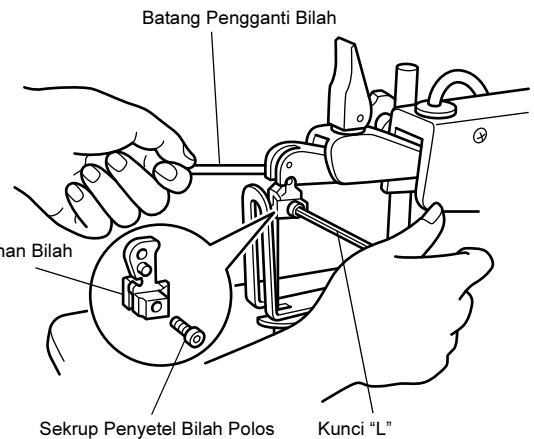
## MEMASANG BILAH BERUJUNG POLOS



### CATATAN:

Untuk bilah berujung polos, sekrup penyetel penahan bilah perlu digunakan. Sekrup penyetel disertakan dalam kantong komponen lepasan.

1. Cabut kabel daya dari stopkontak.
2. Pasang bilah dengan tuas tegangan dalam posisi vertikal.
3. Pasang bilah baru melalui lubang penyisipan pada meja, dan masuk ke dalam penahan bilah bawah. Posisikan ujung bawah bilah di dalam penahan bilah bawah.
4. Kencangkan sekrup penyetel bilah polos dengan kunci pas "L".
5. Gunakan prosedur yang sama untuk memasang bilah ke dalam penahan bilah atas. Kencangkan sekrup penyetel bilah dengan kunci "L", sambil menahan batang pengganti bilah di posisinya.



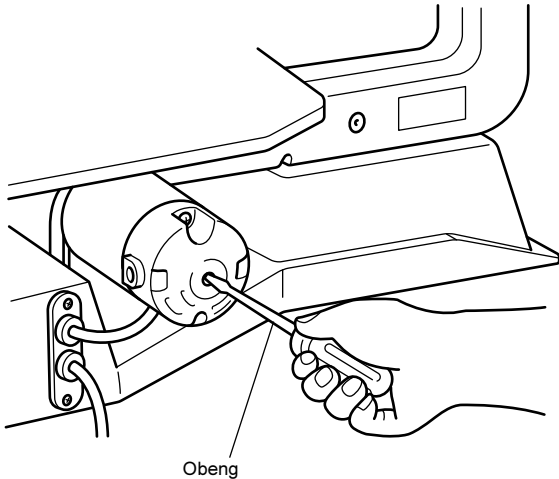
6. Lepaskan kunci "L" dan batang pengganti bilah dari penahan bilah.
7. Balik tuas tegangan ke bawah ke posisi horizontal untuk mengunci tegangan.
8. Jika perlu, putar tuas tegangan bilah searah jarum jam sampai bilah terasa kencang.

## MELEPAS BILAH BERUJUNG POLOS

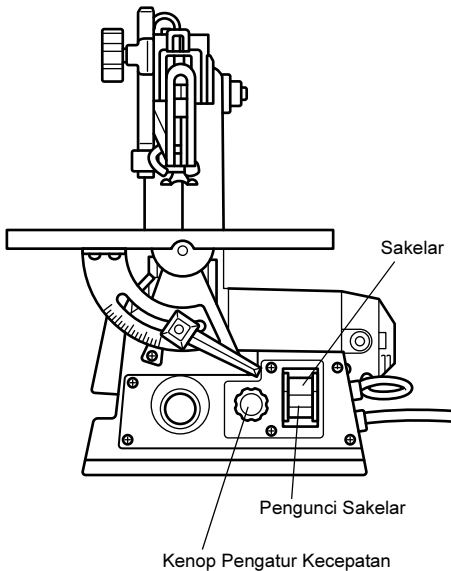
1. Masukkan batang pengganti bilah melalui lubang di atas penahan bilah dan kendurkan sekrup penyetel bilah pada penahan bilah dengan kunci "L".
2. Lepaskan bilah dari penahan bilah atas.
3. Gunakan prosedur yang sama untuk melepas bilah dari penahan bilah bawah.

### CATATAN:

Sebelum menancapkan gergaji, gunakan obeng untuk memutar poros motor sekurangnya satu putaran dan pastikan bilah terpasang dengan benar.



### KENOP PENGATUR KECEPATAN/SAKELAR ON-OFF



1. Tekan sakelar ON.  
Jika Pengunci Sakelar terputus, Sakelar tidak akan ON secara tidak disengaja.

#### Catatan

- Bilah gergaji ukir tidak langsung mulai bergerak setelah Sakelar ON ditekan. Ini normal, bukan malfungsi, dll.
2. Kecepatan gergaji ukir halus dapat diubah agar sesuai dengan aplikasinya. Putar Kenop Pengatur Kecepatan sesuai arah jarum jam (↻) untuk menambah langkah per menit. Putar berlawanan arah jarum jam (↺) untuk mengurangi langkah per menit.
  3. Tekan sakelar OFF.

#### Catatan

- Gergaji ukir halus ini dilengkapi pelindung kelebihan beban bawaan. (Jika bilah gergaji ukir dipakai terlalu lama, motor akan langsung berhenti untuk melindungi diri sendiri.) Apabila pelindung kelebihan beban bawaan menghentikan motor, tekan Sakelar ON/OFF ke OFF, untuk melepaskan pelindung kelebihan beban.

Cabut steker mesin dari stopkontak daya, keluarkan material potongan dari sekitar bilah gergaji, dan jalankan kembali.

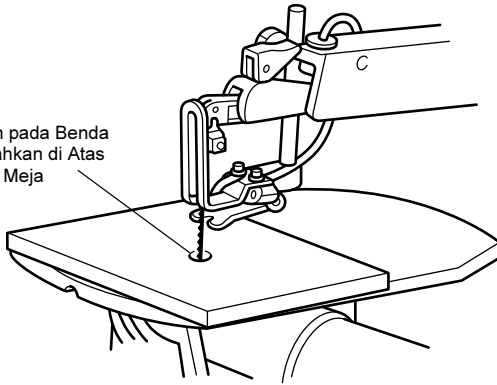
## Pengoperasian Dasar Gergaji Ukir Halus

DIMOHON, bacalah dan pahami butir-butir berikut ini tentang gergaji ukir halus Anda sebelum mencoba menggunakannya.

1. Biarkan gergaji memotong kayu dengan memandu kayu ke arah bilah seiring dengan gerakannya.
2. Gigi bilah memotong kayu HANYA pada langkah ke bawah.
3. Anda harus memandu kayu ke arah bilah dengan perlahan karena gigi bilah sangat kecil dan hanya dapat memotong kayu pada langkah ke bawah.
4. Terdapat beberapa hal yang harus dipelajari oleh setiap orang yang ingin menggunakan gergaji ini. Selama jangka waktu tersebut, diperkirakan bahwa beberapa bilah akan patah sampai Anda memahami cara menggunakan gergaji ini dan mendapatkan manfaat yang terbesar dari bilah.
5. Hasil terbaik tercapai ketika memotong kayu dengan ketebalan kurang dari 25 mm.
6. Saat memotong kayu yang lebih tebal dari 25 mm, pengguna harus memandu kayu dengan sangat, sangat lambat ke arah bilah dan memastikan dengan ekstra hati-hati untuk tidak membengkokkan atau memuntir bilah saat memotong.
7. Gigi pada bilah gergaji ukir halus akan mengalami aus dan karena itu harus sering-sering diganti untuk mendapatkan hasil pemotongan yang terbaik. Bilah gergaji ukir halus umumnya tetap tajam selama 1/2 jam hingga 2 jam pemotongan.
8. Untuk mendapatkan hasil pemotongan yang akurat, bersiaplah untuk mengompensasi kecenderungan bilah untuk mengikuti serat kayu lain saat Anda memotong.
9. Gergaji ukir halus ini dimaksudkan untuk memotong hanya kayu atau material yang serupa dengan kayu.
10. Saat memilih bilah untuk digunakan dengan gergaji ukir halus Anda, pertimbangkan berikut ini dengan cermat.
  - Bilah yang sangat halus, sempit harus digunakan untuk memotong ukiran pada kayu tipis dengan ketebalan 6 mm atau kurang.
  - Untuk memotong kayu dengan ketebalan lebih dari 6 mm, gunakan bilah yang lebih lebar.
  - Sebagian besar kemasan bilah menyatakan ukuran atau ketebalan kayu yang dimaksudkan untuk dipotong dengan bilah itu, dan garis tengah, ukuran lengkungan, yang dapat dipotong dengan bilah tersebut.
  - Bilah yang lebar tidak dapat memotong lengkungan yang sama sempit atau sama kecilnya dengan bilah yang tipis.
  - Bilah yang lebih sempit bekerja baik hanya pada material kayu yang tipis.
11. Gergaji ini menggunakan bilah tipe ujung pasak atau ujung polos sepanjang 125 mm.
12. Bilah akan aus lebih cepat saat memotong kayu lapis, yang sangat abrasif; saat menggergaji kayu yang lebih tebal dari langkah bilah 20mm; dan saat memotong kayu keras, atau bila tekanan samping dikenakan pada bilah.

## MEMBUAT POTONGAN UKIRAN INTERIOR

Lubang 6 mm pada Benda Kerja Ditengahkan di Atas Lubang pada Meja



1. Salah satu fitur gergaji ini adalah bisa digunakan untuk membuat potongan ukiran di bagian dalam papan tanpa memutus atau memotong garis luar atau tepian papan.

### ⚠ PERINGATAN:

Untuk menghindari cedera akibat mesin ternyalakan secara tidak sengaja, selalu tekan kenop kontrol "OFF" dan cabut steker dari stopkontak sumber listrik sebelum melepas atau mengganti bilah.

2. Untuk membuat potongan interior pada papan, lepaskan bilah gergaji ukir halus seperti dijelaskan dalam Bagian Perakitan.
3. Bor lubang berukuran 6 mm pada papan yang akan Anda gunakan untuk membuat irisan interior.
4. Tempatkan papan pada bilah gergaji dengan lubang pada papan di atas lubang akses pada meja.
5. Pasang bilah melalui lubang pada papan dan setel ketegangan bilah.
6. Setelah selesai membuat potongan ukir interior, cukup lepaskan bilah dari penahan bilah, seperti diuraikan dalam Bagian Perakitan, dan ambil papan dari atas meja.

## SETIAP KALI SEBELUM MENGGUNAKAN:

### Periksa gergaji

**CABUT STEKER GERGAJI.** Untuk menghindari cedera akibat gergaji ternyalakan tidak sengaja, cabut gergaji, tekan sakelar "OFF" dan kunci sakelar sebelum mengubah penyiapan atau melepaskan penutup, pelindung, atau bilah.

### Periksa benda kerja

Pastikan tidak ada paku atau benda asing di bagian benda kerja yang akan digergaji.

### Ekstra hati-hatilah dengan benda kerja yang berukuran sangat besar, sangat kecil, atau berbentuk aneh:

- Jangan sekali-kali menggunakan mesin ini untuk memotong benda yang terlalu kecil untuk bisa dipegang dengan tangan.
- Gunakan penopang ekstra (meja, kuda-kuda penggergajian, balok, dll.) untuk benda kerja yang cukup besar sehingga akan miring bila tidak ditahan di atas permukaan meja.
- **JANGAN SEKALI-KALI** menggunakan orang lain sebagai pengganti perpanjangan meja, atau sebagai penopang tambahan bagi benda kerja atau untuk membantu mengumpulkan, menopang, atau menarik benda kerja.
- Ketika memotong benda kerja dengan bentuk tidak teratur, rencanakan pekerjaan Anda sehingga tidak akan menjepit meja. Sepotong cetakan, misalnya, harus terletak mendatar atau ditahan dengan fikstur atau jig yang tidak akan memungkinkannya memuntir, bergoyang, atau selip sewaktu dipotong.

- Dukung dengan baik bahan bundar seperti batang dowel, atau pipa. Benda-benda seperti ini cenderung menggelinding selama dipotong, sehingga menyebabkan bilah "macet". Untuk menghindari ini, selalu gunakan blok "V".
- Potonglah hanya satu benda kerja setiap kalinya.
- Bersihkan segala sesuatu kecuali benda kerja dan perangkat penopang terkait dari atas meja sebelum menghidupkan gergaji.

### Rencanakan cara Anda akan menahan benda kerja dari mulai sampai selesai.

Jangan menahan dengan tangan benda-benda yang begitu kecil sehingga jari Anda akan berada di bawah benda yang ditahan. Gunakan jig atau fikstur untuk menahan benda kerja dan jauhkan tangan dari bilah.

### Sebelum membersihkan bahan yang macet:

- Tekan sakelar "OFF".
- Kunci sakelar.
- Cabut steker gergaji.
- Tunggu semua komponen yang bergerak berhenti.

### Saat memundurkan benda kerja, bilah dapat terjepit di dalam kerf (iris). Ini biasanya disebabkan oleh serbuk gergajian yang menyumbat kerf. Jika ini terjadi:

- Tekan sakelar "OFF".
- Kunci sakelar.
- Cabut steker gergaji.
- Tunggu semua komponen yang bergerak berhenti.
- Lepaskan bilah dari penahan bilah.
- Ambil benda kerja dengan bilah dari meja. Lepaskan bilah dari benda kerja.  
Tekan sakelar "OFF".

### Sebelum membersihkan potongan-potongan lepas dari meja, matikan gergaji dan tunggu sampai semua komponen yang bergerak berhenti.

## PILIHAN BILAH DAN KECEPATAN

Gergaji ukir halus ini menerima beraneka ragam lebar dan ketebalan bilah. Lebar dan ketebalan bilah dan jumlah gigi per inci ditentukan oleh jenis bahan dan ukuran radius yang dipotong. Lihat bagan berikut ini.

Gigi/Inci	Lebar	Ketebalan	Kecepatan (Langkah/Men.)	Pemotongan Bahan
10	2,5 mm	0,46 mm	C (1200 - 1600)	Ukuran populer untuk memotong kayu keras dan lunak 5 mm hingga 50 mm. Juga plastik, kertas, kain flanel, tulang, dll.
15	2,5 mm	0,46 mm	B (600 - 1200)	Kayu, plastik, potongan yang sangat tipis pada bahan dengan ketebalan 2,5 mm hingga 13 mm.
18	2,4 mm	0,25 mm	A (400 - 600)	Untuk pekerjaan dengan radius kecil pada bahan tipis, 3,4 mm hingga 3 mm veneer kayu, kayu, tulang, serat, gading, plastik, dll.

Sebagai aturan umum, selalu pilih bilah tersempit yang direkomendasikan untuk pemotongan kurva yang rumit dan bilah terlebar untuk pekerjaan pemotongan kurva besar.

## Merawat Gergaji Ukir Halus

### PERAWATAN

**⚠ PERINGATAN:**  
Demi keselamatan Anda sendiri, tekan kenop kontrol "OFF" dan cabut steker dari stopkontak sumber listrik sebelum merawat atau melumasi gergaji Anda.

#### Umum

Pemberian lapisan pasta lilin sesekali di atas meja kerja akan membuat kayu yang dipotong meluncur lancar di atas permukaan kerja.

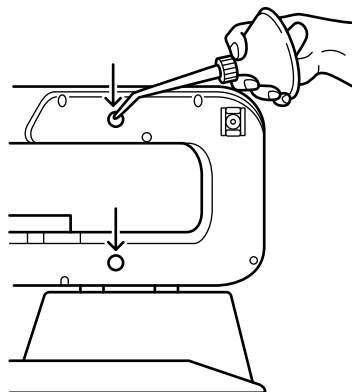
#### Motor

Jika kabel daya aus, teriris, atau rusak dengan cara apa pun, mintalah pengantiannya segera.  
Jangan mencoba melumasi bantalan motor dengan oli atau menyervis bagian internal motor.

#### Bantalan Lengan

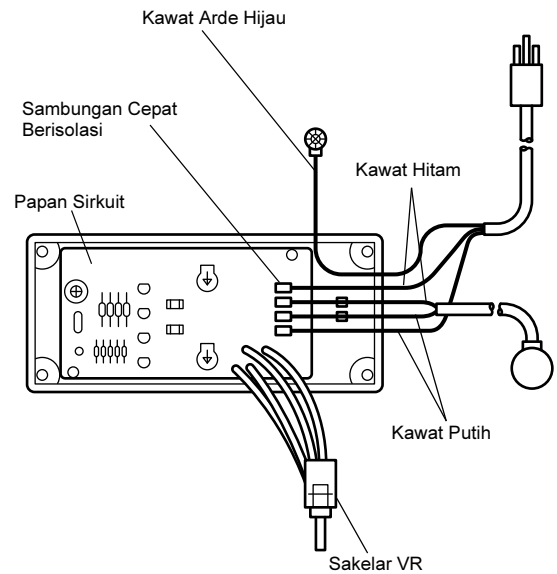
Lumasi bantalan lengan setelah 10 jam penggunaan. Beri oli lagi setelah setiap 50 jam penggunaan atau setiap kali ada bunyi berderit dari bantalan.

#### METODE PEMBERIAN OLI PADA BANTALAN



1. Putar gergaji ke sisinya.
2. Semprotkan Oli SAE20 dalam jumlah banyak di sekitar poros dan bantalan perunggu.
3. Biarkan oli menggenangi semuanya semalaman dalam posisi ini.
4. Hari berikutnya, ulangi prosedur di atas untuk sisi yang berlawanan dari gergaji.

### DIAGRAM PENGAWATAN



**⚠ PERINGATAN:**  
Untuk menghindari sengatan listrik atau kebakaran, perbaiki kelistrikan hanya dengan komponen servis yang dianjurkan, dan rakit kembali persis seperti pada waktu diterima saat masih baru.

## Pemecahan Masalah

**⚠ PERINGATAN:**

Tekan sakelar “OFF” mesin dan selalu cabut steker mesin dari sumber daya sebelum memecahkan masalah.

KESULITAN	MASALAH	PENYELESAIAN
Bilah patah	<ol style="list-style-type: none"> <li>1. Tegangan salah.</li> <li>2. Bilah dipaksa bekerja terlalu keras.</li> <li>3. Aplikasi bilah salah.</li> <li>4. Memuntir bilah di dalam kayu.</li> <li>5. Gigi per inci tidak benar.</li> </ol>	<ol style="list-style-type: none"> <li>1. Sesuaikan ketegangan bilah.</li> <li>2. Kurangi kecepatan pengumpanan.</li> <li>3. Gunakan bilah tipis untuk memotong kayu tipis, bilah lebar untuk kayu tebal.</li> <li>4. Hindari tekanan sisi pada bilah.</li> <li>5. Bilah harus memiliki minimum 3 gigi yang berkontak dengan benda kerja.</li> </ol>
Motor tidak mau berjalan.	<ol style="list-style-type: none"> <li>1. Kabel atau steker rusak.</li> <li>2. Motor cacat.</li> <li>3. Sambungan kabel cacat.</li> </ol>	<ol style="list-style-type: none"> <li>1. Ganti komponen yang cacat sebelum menggunakan gergaji lagi.</li> <li>2. Konsultasikan dengan Pusat Servis. Upaya untuk memperbaiki motor ini dapat membatalkan garansi.</li> <li>3. BAHAYA kecuali jika perbaikan dilakukan oleh teknisi servis yang berkualifikasi.</li> </ol>
Getaran <b>CATATAN:</b> Akan selalu ada getaran ketika gergaji berjalan karena kerja motor.	<ol style="list-style-type: none"> <li>1. Pemasangan gergaji yang tidak benar.</li> <li>2. Permukaan pemasangan yang tidak sesuai.</li> <li>3. Meja bergoyang atau meja bersandar pada motor.</li> <li>4. Titik pemasangan motor kendur.</li> </ol>	<ol style="list-style-type: none"> <li>1. Lihat “MEMASANG GERGAJI UKIR HALUS PADA MEJA KERJA”.</li> <li>2. Semakin berat meja kerja Anda, semakin sedikit getaran yang akan terjadi. Meja kerja dari kayu lapis tidak akan sebegus meja kerja dari kayu padat sebagai permukaan kerja. Gunakan akal sehat dalam memilih permukaan pemasangan.</li> <li>3. Kencangkan kenop kunci meja.</li> <li>4. Kencangkan sekrup-sekrup pemasangan motor.</li> </ol>

**CATATAN:**

Konsultasikan dengan Pusat Servis setempat jika karena alasan apa pun motor mesin Anda tidak mau berjalan.

# THÔNG SỐ KỸ THUẬT

Phần chấn lưới	406 mm
Độ dài lưới cửa	125 mm
Kỳ trên phút	400-1.600
Tổng chiều dài	600 mm
Trọng lượng tịnh	14,1kg

\* Nhà sản xuất bảo lưu quyền thay đổi các thông số kỹ thuật mà không cần thông báo.

\* Chú ý: Các thông số kỹ thuật ở mỗi quốc gia có thể khác nhau.

**CẢNH BÁO: Để đảm bảo an toàn cá nhân, bạn cần ĐỌC và HIỂU RÕ trước khi sử dụng.**

**CẤT HƯỚNG DẪN NÀY ĐỂ THAM KHẢO VỀ SAU**

## Nội dung

Các quy tắc chung về an toàn.....	24
Quy tắc đặc biệt về an toàn dành cho máy cửa lọng .....	25
Mở hộp và kiểm tra nội dung .....	26
Tim hiểu về máy cửa lọng .....	27
Bảng chú giải thuật ngữ .....	28
Lắp đặt và điều chỉnh .....	28
LẮP MÁY CỬA LỌNG VÀO BÀN GIA CÔNG .....	28
ĐẶT BÀN ĐỂ CẮT THEO CHIỀU NGANG HOẶC CẮT VÁT .....	29
ĐIỀU CHỈNH CHÂN KẸP .....	29
ĐIỀU CHỈNH BỘ THỞ BỤI .....	29
ĐIỀU CHỈNH CHỈ BÁO CẮT VÁT .....	29
LẮP LƯỚI CỬA ĐẦU KHỚP .....	30
LẮP LƯỚI CỬA ĐẦU PHẪNG .....	30
THÁO LƯỚI CỬA ĐẦU PHẪNG .....	30
CÔNG TẮC BẬT-TẮT/NÚM ĐIỀU KHIỂN TỐC ĐỘ .....	31
Vận hành cơ bản máy cửa lọng .....	31
THỰC HIỆN CẮT THEO ĐƯỜNG XOẪN ỐC BÊN TRONG .....	31
TRƯỚC MỖI LẦN SỬ DỤNG: .....	32
CHỌN LƯỚI CỬA VÀ TỐC ĐỘ .....	32
Bảo trì máy cửa lọng .....	33
Khắc phục sự cố .....	34

## Các quy tắc chung về an toàn

- 1. Tim hiểu về dụng cụ máy**  
Đọc và hiểu rõ hướng dẫn sử dụng cùng các nhãn dán vào dụng cụ. Tim hiểu về các ứng dụng và giới hạn cũng như những mối nguy hiểm cụ thể có thể xảy ra liên quan đến dụng cụ này.
- 2. Nối đất tất cả các dụng cụ**  
Dụng cụ này được trang bị dây điện 3 lõi được phê duyệt và một phích cắm loại tiếp đất 3 chấu để vừa với ổ cắm điện loại tiếp đất phù hợp. Dây dẫn màu xanh lục trong dây là dây tiếp đất. Tuyệt đối không nối dây màu xanh lục với đầu dây có dòng điện chạy qua.
- 3. Giữ cho nơi làm việc luôn sạch sẽ**  
Bàn và nơi làm việc lộn xộn dễ gây tai nạn. Sàn không được trơn do sáp hoặc mặt cửa.
- 4. Tránh môi trường nguy hiểm**  
Không sử dụng dụng cụ máy ở nơi ẩm ướt hoặc ngoài trời mưa. Giữ cho nơi làm việc luôn đủ ánh sáng. Cung cấp đủ không gian làm việc xung quanh.
- 5. Luôn lắp tấm bảo vệ**  
Theo thứ tự làm việc, theo sự điều chỉnh và căn chỉnh.
- 6. Rút các khóa và cờ lê điều chỉnh**  
Hình thành thói quen kiểm tra xem các khóa và cờ lê điều chỉnh đã được rút ra khỏi dụng cụ hay chưa trước khi bật.

### 7. Không cho trẻ em đến gần

Tất cả khách thăm phải giữ khoảng cách an toàn với nơi làm việc.

### 8. Dùng các biện pháp bảo vệ trẻ em ở xưởng làm việc

Trang bị khóa bấm, công tắc chính hoặc bằng cách rút khóa khởi động.

### 9. Không dùng lực mạnh đối với dụng cụ

Dụng cụ này sẽ hoạt động tốt hơn và an toàn hơn ở tốc độ được thiết kế.

### 10. Tuyệt đối không đứng lên dụng cụ

Có thể xảy ra thương tích nghiêm trọng nếu dụng cụ bị lật nghiêng hoặc nếu vô tình tiếp xúc với dụng cụ cắt.

Không cất các vật liệu phía trên hoặc gần dụng cụ vì cần phải đứng lên dụng cụ để lấy.

### 11. Sử dụng dụng cụ đúng mục đích

Không dùng dụng cụ mạnh đối với dụng cụ hoặc thêm đồ để thực hiện một công việc không đúng mục đích thiết kế.

### 12. Mặc quần áo phù hợp

Không mặc quần áo rộng thùng thình, đeo găng tay, cà vạt hoặc đồ trang sức (nhẫn, đồng hồ đeo tay) vì chúng có thể bị mắc vào các bộ phận động. Nên dùng giày KHÔNG TRƯỢT.

Đội mũ bảo vệ cho tóc dài. Xắn tay áo trên khuỷu tay.

### 13. Cố định phôi gia công

Sử dụng kẹp hoặc bàn kẹp để giữ phôi gia công khi làm việc. Việc này sẽ an toàn hơn là sử dụng tay và không dùng hai tay để vận hành dụng cụ.

### 14. Sử dụng kính bảo hộ

Luôn đeo kính bảo hộ (phải tuân thủ ANSI Z87.1). Kính hàng ngày chỉ có tác dụng chống chửi KHÔNG phải là kính bảo vệ. Ngoài ra, dùng khẩu trang hoặc mặt nạ chống bụi nếu có bụi trong quá trình cắt, đồng thời dùng thiết bị bảo vệ tai (bịt tai) trong thời gian dài hoặc trong khi vận hành.

### 15. Không với quá cao

Luôn giữ thăng bằng tốt và có chỗ để chân phù hợp.

### 16. Kiểm tra các bộ phận bị hỏng

Trước khi tiếp tục sử dụng dụng cụ, phải kiểm tra cẩn thận phần bảo vệ hay bộ phận khác bị hư hỏng để đảm bảo rằng dụng cụ sẽ hoạt động đúng cách và thực hiện chức năng đã được định sẵn. Kiểm tra sự thẳng hàng của các bộ phận động, sự liên kết giữa các bộ phận động, các bộ phận bị vỡ hỏng, tình trạng lắp đặt và bất kỳ tình trạng nào khác có thể ảnh hưởng đến quá trình vận hành. Phải sửa chữa hoặc thay thế đúng cách phần bảo vệ hoặc bất kỳ bộ phận nào bị hỏng.

### 17. Dùng phụ kiện được khuyến nghị

Tham khảo hướng dẫn sử dụng để biết các phụ kiện được khuyến nghị. Làm theo hướng dẫn đi kèm với phụ kiện. Không dùng phụ kiện phù hợp có thể gây ra nguy hiểm.

### 18. Tháo dụng cụ

Trước khi bảo dưỡng, khi thay phụ kiện chẳng hạn như lưới cửa, đầu cắt, lưới cắt, v.v.



### 19. Hướng chạy lưỡi cưa

Chỉ đưa phôi vào lưỡi cưa hoặc dao cắt ngược với hướng xoay của lưỡi cưa hoặc dao cắt.

### 20. Bảo dưỡng dụng cụ cẩn thận

Giữ cho các dụng cụ luôn sắc và sạch để có hiệu suất tốt nhất và an toàn nhất. Làm theo hướng dẫn bôi trơn và thay lưỡi cưa, đầu cắt, dao cắt, v.v.

### 21. Tránh vô tình khởi động

Đảm bảo công tắc ở vị trí “TẮT” trước khi cắm dây nguồn.

### 22. Tuyệt đối không để dụng cụ chạy khi không có người giám sát

Tắt nguồn điện. Chỉ rời đi khi dụng cụ đã dừng hẳn.

Chẳng hạn như phải đặt một miếng ván ép lên bàn và không được để rung trong khi cắt.

- Thận trọng khi cắt vật liệu tròn như gậy chốt hoặc ống. Các vật liệu này có xu hướng lăn trong khi cắt khiến lưỡi cưa bị kẹt. Dùng khối chữ V để kiểm soát miếng cắt.

G. Khi nhấc lưỡi cưa ra khỏi phôi gia công, lưỡi cưa có thể mắc kẹt trong rãnh (vết cắt), điều này thường do mặt cưa bị kẹt vào rãnh. Nếu điều này xảy ra: Hãy tắt máy cưa lọng, rút phích cắm khỏi ổ cắm nguồn điện, nhét chặt rãnh, nhấc lưỡi cưa khỏi phôi gia công.

H. Để tránh trường hợp dùng dụng cụ không có người giám sát hoặc xảy ra tai nạn do sơ ý.

- Tuyệt đối không rời khỏi khu vực làm việc của máy cưa lọng khi dụng cụ vẫn bật nguồn, trước khi dụng cụ dừng hoàn toàn.
- Không thực hiện việc bố trí, lắp đặt hoặc thiết lập công việc trên bàn trong khi dụng cụ cắt đang hoạt động.
- “TẮT” nguồn máy cưa và rút phích cắm khỏi ổ cắm điện trước khi lắp đặt hoặc tháo phụ kiện đi kèm.
- Chỉ “BẬT” máy cưa lọng sau khi đã dọn sạch mọi vật trên bàn: (các dụng cụ, mảnh vụn gỗ, v.v.) trừ phôi gia công và các thiết bị đỡ hoặc tiếp liệu có liên quan cho hoạt động dự định.

## Quy tắc đặc biệt về an toàn dành cho máy cưa lọng

### ⚠ CẢNH BÁO:

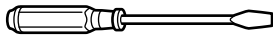
Vì sự an toàn của bạn, chỉ vận hành máy cưa lọng khi đã lắp đặt xong theo hướng dẫn ... và khi bạn đã đọc cũng như hiểu rõ các thông tin sau:

1. Nếu bất kỳ bộ phận nào của máy cưa lọng này bị thiếu, cong hoặc lỗi theo bất cứ cách nào hoặc bất kỳ thành phần điện nào không hoạt động bình thường, hãy tắt công tắc nguồn và rút phích cắm khỏi ổ cắm nguồn điện. Thay thế các bộ phận bị hỏng, thiếu và/hoặc lỗi trước khi tiếp tục vận hành.
2. **Chú ý tới độ an toàn**  
Độ an toàn đạt được khi người vận hành có sự hiểu biết cơ bản cùng tinh thần cảnh giác bất cứ khi nào vận hành máy cưa lọng.
3. **Độ ổn định của dụng cụ**  
Máy cưa lọng phải được bắt bu lông chắc chắn vào chân đế hoặc bàn gia công. Ngoài ra, trong một số hoạt động, nếu máy cưa lọng có xu hướng di chuyển, hãy bắt bu lông bàn gia công hoặc chân đế của máy cưa lọng vào sàn nhà.
4. **Vị trí**  
Để tránh hỏa hoạn hoặc nổ, tuyệt đối không dùng dụng cụ này ở nơi có hơi hoặc khí dễ cháy trong không khí. Để tránh thương tích do dụng cụ rơi, hãy tháo cưa trước khi di chuyển. Máy cưa lọng này chỉ dành cho sử dụng trong nhà.
5. **Bảo vệ: Mắt, tay, mặt, tai và cơ thể**
  - A. Để tránh bị kéo vào lưỡi cưa:
    - Xấn tay áo dài phía trên khuỷu tay
    - Không đeo găng tay, đồ trang sức, cà vạt hoặc mặc quần áo rộng lùng thùng khác.
    - Buộc tóc dài lại
  - B. Không dùng tay để cầm cắt các mẫu vật liệu quá nhỏ bên ngoài tấm bảo vệ/chân kẹp của lưỡi cưa.
  - C. Tránh vị trí tay không thuận vì nếu trượt bất ngờ có thể đưa tay vào lưỡi cưa.
  - D. Để tránh trượt do nâng phôi gia công, hãy đảm bảo điểm đầu lưỡi cưa cắt hướng xuống bàn.
  - E. Đánh tránh vỡ lưỡi cưa, luôn điều chỉnh độ căng lưỡi cưa đúng cách.
  - F. Đánh tránh mất kiểm soát phôi gia công hoặc dụng cụ:
    - Khi cắt miếng vật liệu lớn, hãy đảm bảo đỡ hoàn toàn vật liệu này ở độ cao của bàn.
    - Giữ chắc phôi gia công trên bàn.
    - Không đưa vật liệu quá nhanh trong khi cắt. Chỉ đưa vật liệu vào với tốc độ nhanh vừa đủ để lưỡi cưa cắt.
    - Thận trọng khi cắt vật liệu không bình thường ở mặt cắt ngang và lưỡi cưa có thể kẹt trước khi cắt xong.

# Mở hộp và kiểm tra nội dung

## CÁC DỤNG CỤ CẦN THIẾT ĐỂ LẮP ĐẶT

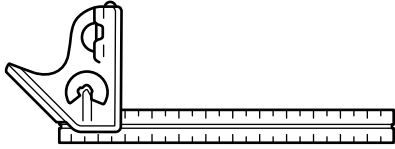
### KE TỔ HỢP PHẢI CHÍNH XÁC



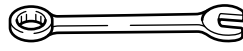
Tua vít trung bình



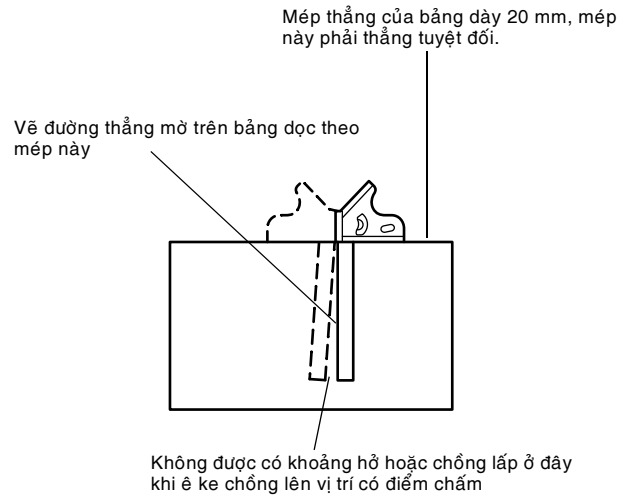
Tua vít Phillips



Ke tổ hợp



Cờ lê 10 mm



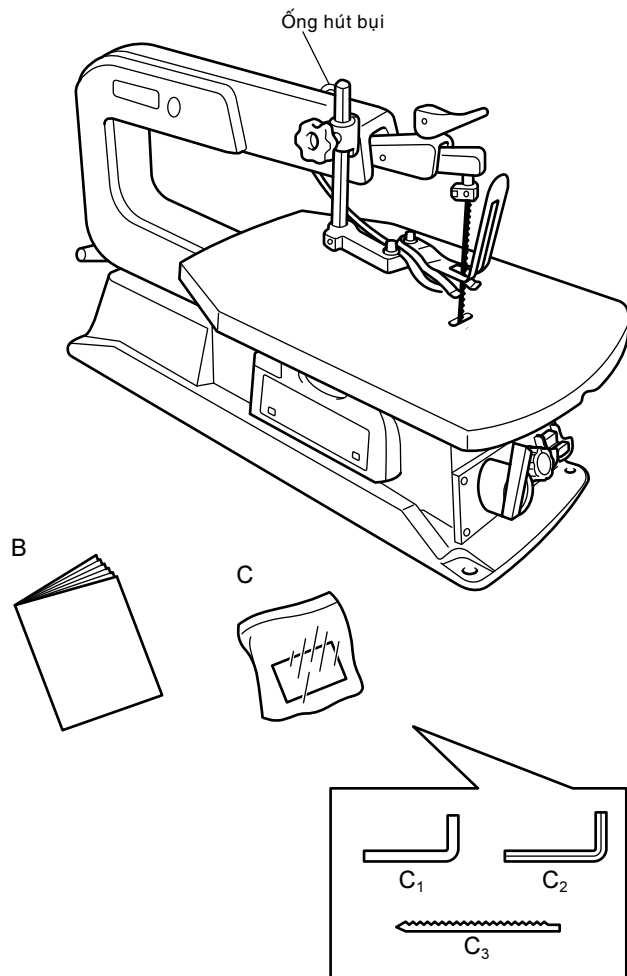
#### ⚠ CẢNH BÁO:

Để tránh thương tích do khởi động bất ngờ hoặc điện giật, không cắm máy của vào nguồn điện cho tới khi đã hoàn tất mọi bước lắp đặt và điều chỉnh. Phải luôn rút dây nguồn ra bất cứ khi nào bạn làm việc với máy của.

Máy của lọng được giao hoàn chỉnh trong một thùng các tông. Lấy tất cả các bộ phận ra khỏi vật liệu đóng gói và kiểm tra từng mục có minh họa cũng như “Bảng các bộ phận tháo rời”. Đảm bảo kiểm kê tất cả các mục trước khi vứt bỏ bất kỳ vật liệu đóng gói nào.

#### CHÚ Ý:

Lắp ống hút bụi vào màng chắn khí trước khi khởi động.

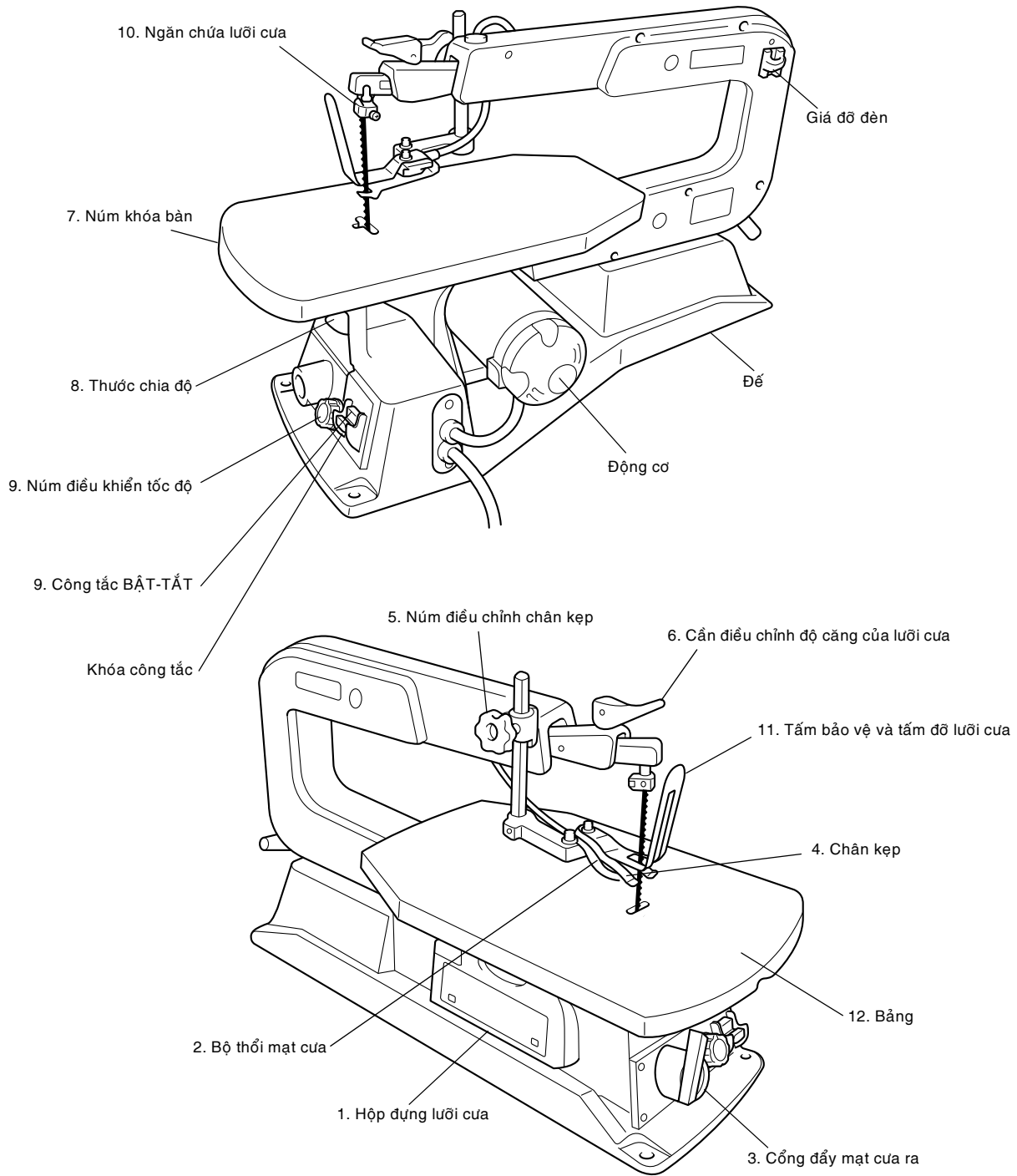


#### ⚠ CẢNH BÁO:

Nếu thiếu bất kỳ bộ phận nào, không cố lắp máy của lọng, hãy cắm dây nguồn hoặc bật công tắc cho tới khi có các bộ phận thiếu và lắp đúng cách.

MỤC	BẢNG CÁC BỘ PHẬN THÁO RỜI	SỐ LƯỢNG
A	Lắp đặt máy của cơ bản	1
B	Hướng dẫn sử dụng	1
C	Túi đựng các bộ phận tháo rời	
	Chứa các bộ phận sau:	
C <sub>1</sub>	Cần thay đổi lưỡi của	1
C <sub>2</sub>	Cờ lê lục giác dạng chữ “L”	1
C <sub>3</sub>	Lưỡi của	6

# Tìm hiểu về máy cưa lọng



# Tìm hiểu về máy cửa lọng

Chiếc máy cửa lọng công suất lớn đa năng này rất thích hợp dùng để làm đồ chơi, tẩm ghép hình, trò chơi, tác phẩm nghệ thuật và đồ trang sức. Đồng thời, vì có khả năng cắt nên đây là dụng cụ hữu ích để tự làm. Dụng cụ này cắt gỗ và nhựa có độ dày tới 50 mm.

## 1. Hộp đựng lưỡi cửa

Máy cửa lọng của bạn được trang bị chỗ cất lưỡi cửa nằm ở mặt bên của máy cửa. Chỗ cất lưỡi cửa giúp cất giữ thuận tiện các vít điều chỉnh lưỡi cửa, cờ lê lỗ 6 cạnh, cả lưỡi cửa đầu khớp và lưỡi cửa đầu phẳng. **Bạn có thể mở hộp này bằng cách nhấn vào phần trên cùng.**

## 2. Bộ thổi mát cửa

Giữ cho phôi gia công luôn sạch để có thể cắt theo đường xoắn ốc chính xác hơn. Để có kết quả tốt nhất, hãy luôn hướng luồng khí từ ống thổi vào lưỡi cửa và phôi gia công. Để điều chỉnh, hãy nối lỏng vít điều chỉnh ở cụm dưới, đặt ống vào vị trí và vặn chặt vít.

**THẬN TRỌNG:** Để ngăn ống thổi bị xẹp, **KHÔNG VẶN QUÁ CHẶT.**

## 3. Cổng đẩy mặt cửa ra

Máy cửa lọng của bạn được trang bị móc hít chân không. Tính năng này cho phép bạn lắp bất kỳ ống mềm chân không 32 mm nào vào lỗ đã cho để loại bỏ mặt cửa thuận lợi.

## 4. Chân kẹp

Chân kẹp phải luôn được hạ thấp cho tới khi tỳ vào phần trên cùng của phôi gia công để ngăn phôi gia công bị nhấc lên, nhưng không tỳ quá nhiều khiến phôi gia công bị kéo đi.

## 5. Núm điều chỉnh chân kẹp

Cho phép bạn nâng hoặc hạ chân kẹp và khóa ở chiều cao mong muốn.

## 6. Cần điều chỉnh độ căng của lưỡi cửa

Cho phép bạn nối lỏng hoặc vặn chặt độ căng của lưỡi cửa bằng cách xoay cần.

## 7. Núm khóa bàn

Cho phép bạn nghiêng bàn và khóa ở góc mong muốn tối đa là 45 độ.

## 8. Thước chia độ

Cho biết độ nghiêng của bàn.

## 9. Công tắc BẬT-TẮT/Núm điều khiển tốc độ

Để đặt chế độ điều khiển tốc độ, hãy tham khảo bảng "CHỌN LƯỖI CỬA VÀ TỐC ĐỘ". Công tắc BẬT-TẮT có tính năng khóa.

**TÍNH NĂNG NÀY NHẪM GIÚP NGĂN TRẺ EM VÀ NHỮNG NGƯỜI KHÁC DÙNG TRÁI PHÉP.**

## 10. Ngăn chứa lưỡi cửa

Giữ và đặt lưỡi cửa vào vị trí

## 11. Tấm bảo vệ và tấm đỡ lưỡi cửa

Xác định khu vực di chuyển và đỡ lưỡi cửa

## 12. Bàn

Cung cấp bề mặt làm việc để đỡ phôi gia công.

# Bảng chú giải thuật ngữ

## Rãnh cửa

Khe cắt bằng lưỡi cửa.

## Mép trước

Mép cửa phôi gia công được đẩy vào lưỡi cửa trước.

## Đường dẫn lưỡi cửa

Khu vực phôi gia công trực tiếp thẳng hàng và di chuyển vào mép lưỡi cửa.

## Bộ răng lưỡi cửa

Khoảng cách mà mép cửa răng lưỡi cửa bị uốn cong (bật) ra ngoài từ cạnh lưỡi cửa.

## Mép sau

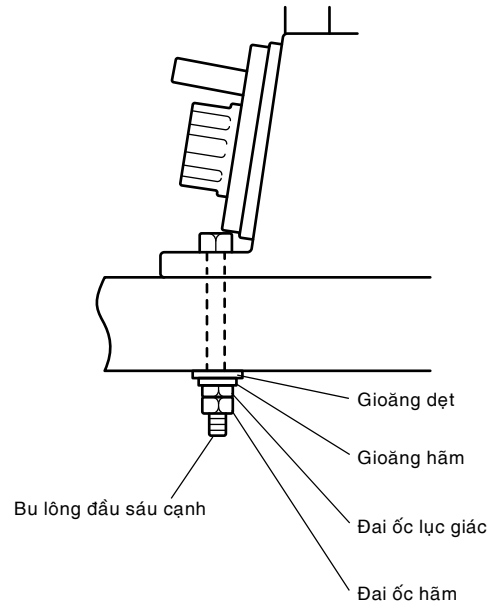
Mép cửa phôi gia công được cắt sau cùng bằng lưỡi cửa.

## Phôi gia công

Đồ thực hiện thao tác cắt.

# Lắp đặt và điều chỉnh

## LẮP MÁY CỬA LỌNG VÀO BÀN GIA CÔNG



### ⚠ CẢNH BÁO:

**Tắt máy cửa và rút phích cắm trước khi thực hiện bất kỳ điều chỉnh nào.**

1. Khi lắp máy cửa này vào bàn gia công, bạn nên dùng một bệ cứng thay cho bệ ván ép vì ván này làm tiếng ồn và độ rung nhiều hơn đáng kể.
2. Đồ kim khí để lắp máy cửa này vào bàn gia công **KHÔNG ĐƯỢC CUNG CẤP** kèm theo máy cửa. Tuy nhiên, bạn nên dùng đồ kim khí có kích thước không nhỏ hơn dưới đây.

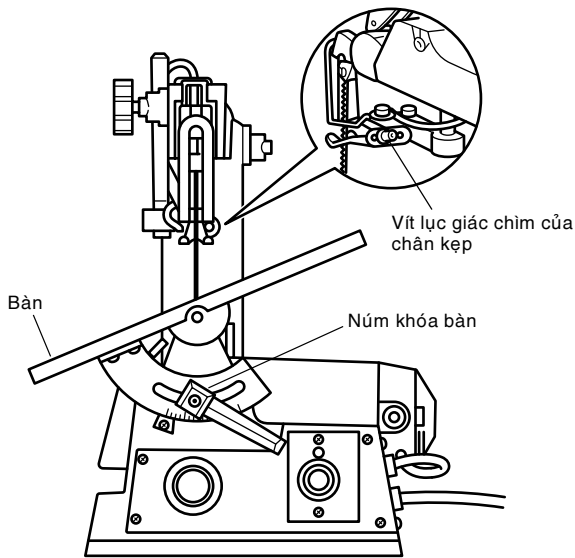
### Số lượng

### Mô tả

3	Bu lông đầu sáu cạnh, M8
	Bắt buộc
3	Gioăng det, 8
3	Gioăng hãm, 8
6	Đai ốc lục giác, M8

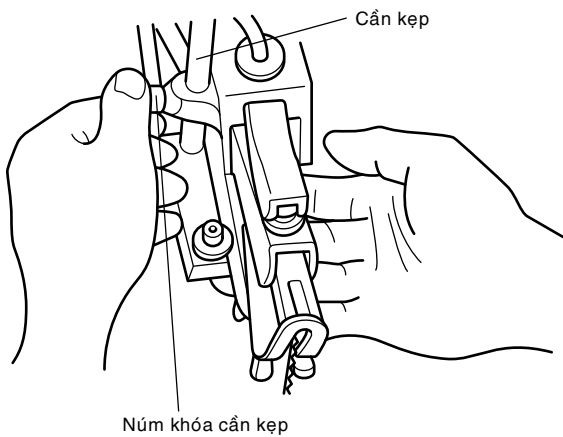
3. Ví dụ minh họa cách lắp máy cửa lọng này vào bàn gia công.

## ĐẶT BÀN ĐỂ CẮT THEO CHIỀU NGANG HOẶC CẮT VÁT



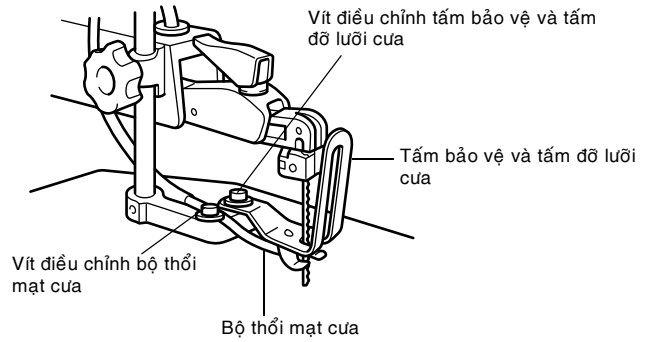
1. Nới lỏng nút khóa bàn, đồng thời bạn có thể nghiêng bàn cưa sang trái và khóa ở góc bất kỳ từ vị trí cắt theo chiều ngang 0 độ cho tới 45 độ cho cắt vát.
2. Thước chia độ cũng được cung cấp dưới bàn gia công để tiện tham khảo khi đặt góc bàn tương đối để cắt vát. Khi cần độ chính xác cao hơn, hãy cắt và điều chỉnh bàn khi cần thiết theo yêu cầu của bạn.
3. CHÚ Ý: Khi cắt ở các góc, bạn có thể nghiêng chân kẹp sao cho với bàn và tỳ mặt phẳng vào phôi gia công. Để nghiêng chân kẹp, hãy nới lỏng vít lục giác chìm, nghiêng chân kẹp sao cho song song với bàn rồi vặn chặt vít.

## ĐIỀU CHỈNH CHÂN KẸP



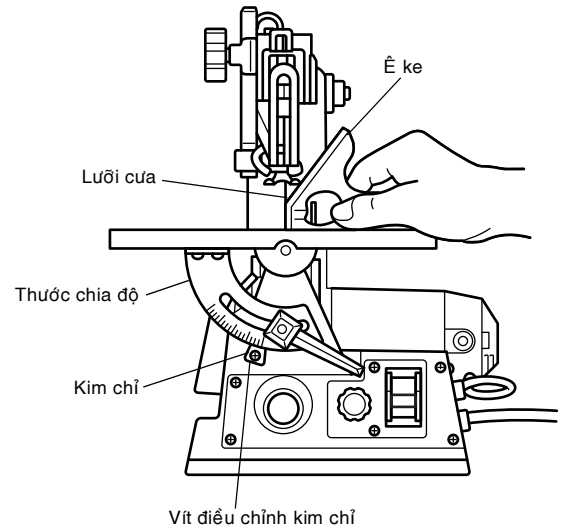
Bạn phải điều chỉnh chân kẹp sao cho tiếp xúc với bề mặt phía trên của phôi đang được cắt bằng cách nới lỏng nút điều chỉnh và di chuyển chân kẹp lên hoặc xuống. Vặn chặt nút điều chỉnh sau khi đã điều chỉnh xong.

## ĐIỀU CHỈNH BỘ THỞ BỤI



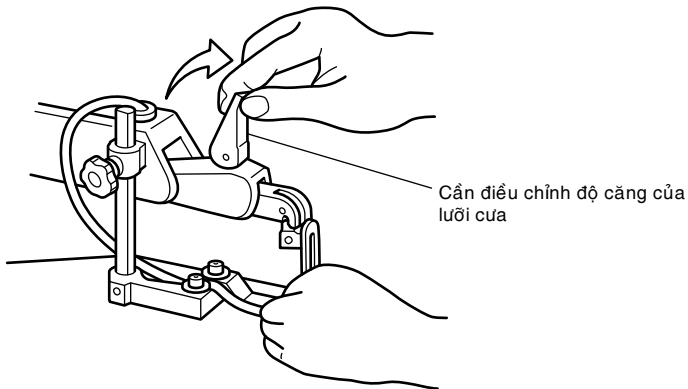
Bạn có thể di chuyển bộ thổi mặt cưa để hướng gió vào điểm hiệu quả nhất trên đường cắt bằng cách nới lỏng vít, điều chỉnh bộ thổi bụi sao cho phù hợp rồi vặn chặt.

## ĐIỀU CHỈNH CHỈ BÁO CẮT VÁT



1. Nới lỏng nút điều chỉnh chân kẹp và di chuyển chân kẹp lên. Sau đó, vặn chặt nút điều chỉnh.
2. Nới lỏng nút khóa bàn rồi di chuyển bàn cho tới khi tương đối vuông góc hoặc ở góc thích hợp với lưỡi cưa.
3. Đặt một ê ke nhỏ lên bàn bên cạnh lưỡi cưa để kiểm tra xem bàn đã vuông góc với lưỡi cưa chưa. Nếu cần phải điều chỉnh, hãy nâng hoặc hạ bàn xuống cho tới khi tương đối vuông góc với lưỡi cưa rồi vặn chặt nút khóa bàn.
4. Nới lỏng vít giữ kim chỉ trên thước chia độ, di chuyển kim chỉ tới dấu 0 độ rồi vặn chặt vít. Hãy nhớ là thước chia độ dùng để dẫn hướng thuận tiện nhưng không nên dựa vào đó để xem độ chính xác. Cắt thử trên gỗ vụn để xác định xem bạn đã đặt góc chính xác chưa.
5. Nhả chân kẹp tới vị trí mong muốn.

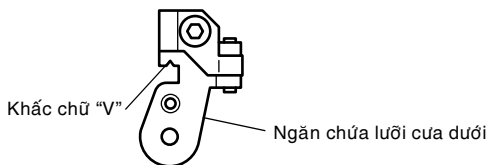
## LẮP LƯỚI CỬA ĐẦU KHỚP



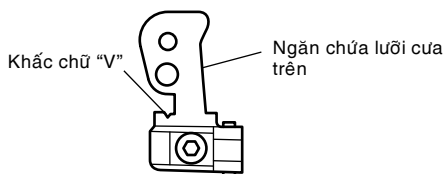
### ⚠ CẢNH BÁO:

Để tránh thương tích do di chuyển dụng cụ bất ngờ, hãy luôn rút phích cắm lưới cửa trước khi lắp đặt, tháo hoặc thay lưới cửa.

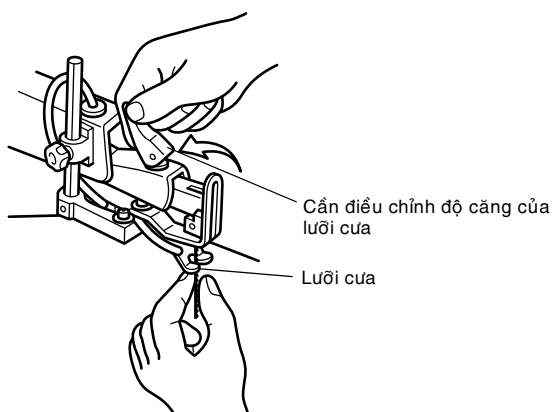
1. Rút dây nguồn ra khỏi ổ cắm.
2. Lắp lưới cửa có cần điều chỉnh độ căng theo chiều dọc.
3. Lắp lưới cửa qua lỗ chèn. Đặt răng cửa hướng xuống. Cài chốt vào khắc chữ "V" của ngăn chứa lưới cửa dưới.



4. Kéo lưới cửa lên rồi gài vào chốt trên của khắc trên ngăn chứa lưới cửa trên.



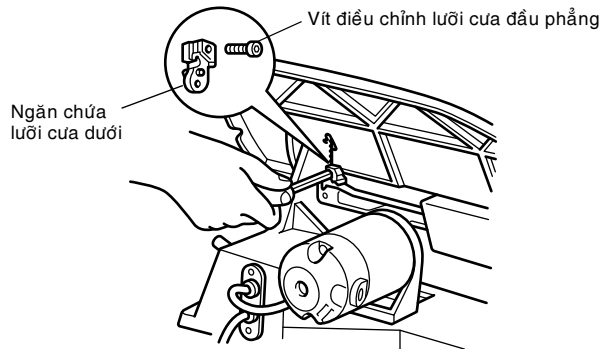
5. Lật cần điều chỉnh độ căng về vị trí nằm ngang để khóa độ căng.



### CHÚ Ý:

Hãy xoay cần điều chỉnh độ căng của lưới cửa theo chiều kim đồng hồ cho tới khi lưới cửa được căng theo nhu cầu riêng của bạn.

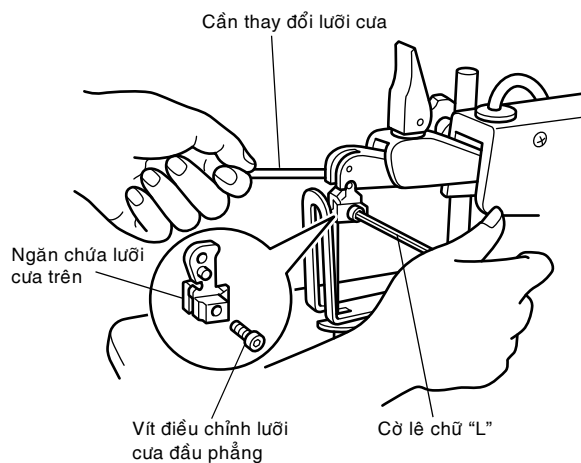
## LẮP LƯỚI CỬA ĐẦU PHẪNG



### CHÚ Ý:

Đối với lưới cửa đầu phẳng, cần phải sử dụng vít điều chỉnh của ngăn chứa lưới cửa. Các vít điều chỉnh được cung cấp kèm theo trong túi đựng các bộ phận tháo rời.

1. Rút dây nguồn ra khỏi ổ cắm.
2. Lắp lưới cửa có cần điều chỉnh độ căng theo chiều dọc.
3. Lắp lưới cửa mới qua lỗ chèn trên bàn và vào ngăn chứa lưới cửa dưới. Đặt đầu dưới của lưới cửa vào ngăn chứa lưới cửa dưới.
4. Vặn chặt vít điều chỉnh lưới cửa đầu phẳng bằng cờ lê chữ "L".
5. Lắp lưới cửa vào ngăn chứa lưới cửa trên theo quy trình tương tự. Vặn chặt vít điều chỉnh lưới cửa bằng cờ lê chữ "L", trong khi giữ cần thay đổi lưới cửa vào vị trí.



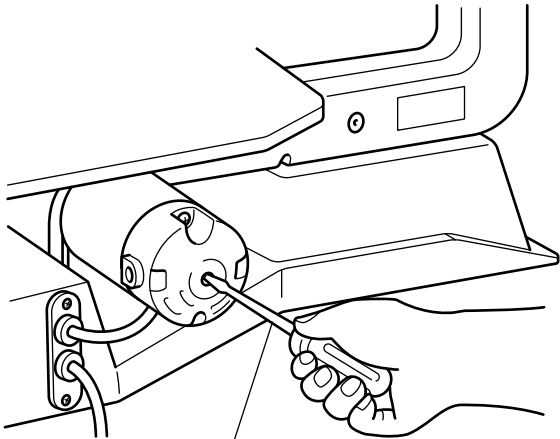
6. Tháo cờ lê chữ "L" và cần thay đổi lưới cửa khỏi ngăn chứa lưới cửa.
7. Lật cần điều chỉnh độ căng về vị trí nằm ngang để khóa độ căng.
8. Nếu cần, hãy xoay cần điều chỉnh độ căng của lưới cửa theo chiều kim đồng hồ cho tới khi lưới cửa được căng.

## THÁO LƯỚI CỬA ĐẦU PHẪNG

1. Đưa cần thay đổi lưới cửa qua lỗ phía trên ngăn chứa lưới cửa và nối lỏng vít điều chỉnh lưới cửa của ngăn chứa lưới cửa bằng cờ lê chữ "L".
2. Tháo lưới cửa khỏi ngăn chứa lưới cửa trên.
3. Tháo lưới cửa khỏi ngăn chứa lưới cửa dưới theo quy trình tương tự.

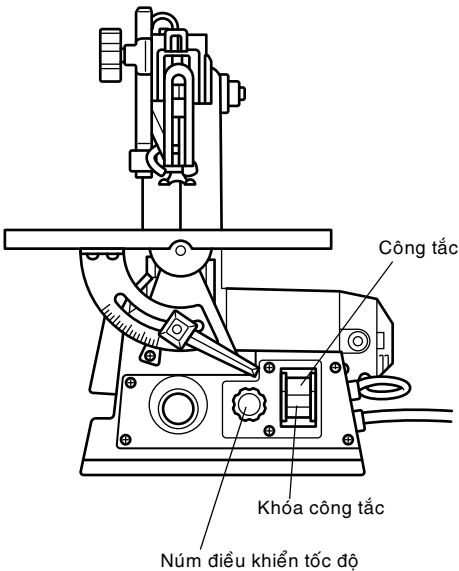
## CHÚ Ý:

Trước khi cắm điện máy cưa, hãy dùng tua vít xoay trục động cơ ít nhất một vòng và đảm bảo lưỡi cưa được lắp đúng cách.



Tua vít

## CÔNG TẮC BẬT-TẮT/NÚM ĐIỀU KHIỂN TỐC ĐỘ



1. **BẬT công tắc.**  
Nếu Khóa công tắc bị ngắt kết nối, Công tắc sẽ không bị BẬT do vô tình.

### Chú ý

- Lưỡi cưa lọng không bắt đầu di chuyển ngay sau khi BẬT Công tắc. Điều này là bình thường, không phải là hỏng hóc, v.v.
2. Bạn có thể thay đổi tốc độ của máy cưa lọng cho phù hợp với ứng dụng. Xoay Núm điều khiển tốc độ theo chiều kim đồng hồ (↻) để tăng số kỳ trên phút. Xoay núm ngược chiều kim đồng hồ (↺) để giảm số kỳ trên phút.
  3. **TẮT công tắc.**

### Chú ý

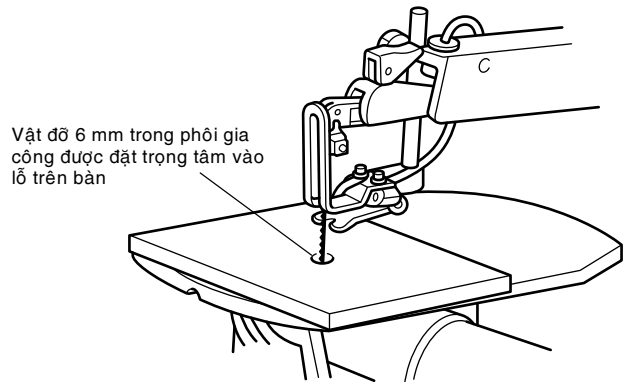
- Máy cưa lọng này có bộ bảo vệ quá tải tích hợp. (Nếu lưỡi cưa lọng làm việc quá tải, động cơ sẽ ngừng ngay lập tức để tự bảo vệ.)  
Trong các trường hợp bộ bảo vệ quá tải tích hợp đã dừng động cơ, hãy TẮT Công tắc BẬT/TẮT để nhả bộ bảo vệ quá tải.  
Rút phích cắm của máy khỏi ổ cắm điện, lấy vật liệu cắt ra khỏi lưỡi cưa rồi khởi động lại.

## Vận hành cơ bản máy cưa lọng

VUI LÒNG đọc và hiểu rõ các mục sau về máy cưa lọng trước khi tìm cách sử dụng máy cưa.

1. Để máy cưa cắt gỗ bằng cách đưa gỗ vào lưỡi cưa khi di chuyển.
2. Răng lưỡi cưa CHỈ cắt gỗ khi di chuyển xuống.
3. Bạn phải từ từ đưa gỗ vào lưỡi cưa vì răng lưỡi cưa rất nhỏ và chỉ có thể cắt gỗ khi di chuyển xuống.
4. Mỗi người muốn dùng máy cưa này đều phải học hỏi dần dần. Trong thời gian đó, bạn có thể làm gãy một số lưỡi cưa cho tới khi học được cách dùng máy cưa và sử dụng lưỡi cưa hiệu quả nhất.
5. Bạn sẽ đạt được kết quả tốt nhất khi cắt gỗ có độ dày dưới 25 mm.
6. Khi cắt gỗ dày hơn 25 mm, người dùng phải đưa gỗ rất chậm vào lưỡi cưa và cẩn thận hơn để không làm cong hoặc vênh lưỡi cưa trong khi cắt.
7. Răng trên lưỡi cưa lọng bị mòn và do đó phải được thay thế thường xuyên để có kết quả cắt tốt nhất. Lưỡi cưa lọng thường sắc trong khoảng 1/2 giờ tới 2 giờ cắt.
8. Để có đường cắt chính xác, hãy chuẩn bị mài lưỡi cưa để tiếp tục cắt thứ gỗ khác.
9. Máy cưa lọng này chỉ dùng để cắt gỗ hoặc vật liệu tương tự gỗ.
10. Khi chọn lưỡi cưa để dùng với máy cưa lọng, hãy xem xét kỹ các mục sau.
  - Bạn nên dùng lưỡi cưa rất sắc, hẹp để cắt gỗ dày không quá 6 mm.
  - Để cắt gỗ dày hơn 6 mm, hãy dùng lưỡi cưa rộng hơn.
  - Hầu hết các hộp đựng lưỡi cưa đều cho biết kích thước hoặc độ dày gỗ mà lưỡi cưa có thể cắt, cũng như bán kính, kích thước đường cong có thể cắt được bằng lưỡi cưa đó.
  - Lưỡi cưa rộng hơn không thể cắt các đường cong khít hoặc nhỏ như lưỡi cưa mỏng hơn.
  - Lưỡi cưa hẹp hơn chỉ thích hợp với vật liệu gỗ mỏng hơn.
11. Máy cưa này dùng chốt dài 125 mm hoặc lưỡi cưa đầu phẳng.
12. Lưỡi cưa sẽ mòn nhanh hơn khi cắt ván ép, vật liệu này có tính rất mài mòn; khi cưa gỗ dày hơn khoảng chạy lưỡi cưa 20 mm; và khi cưa gỗ cứng hoặc khi áp suất biên được đặt lên lưỡi cưa.

## THỰC HIỆN CẮT THEO ĐƯỜNG XOẮN ỐC BÊN TRONG



- Một trong các tính năng của máy cửa này là bạn có thể dùng máy để cắt đường xoắn ốc ở phía trong bảng mà không làm vỡ hoặc cắt vào đường biên hoặc đường kính của bảng.

**⚠ CẢNH BÁO:**

**Để tránh thương tích do vô tình khởi động, luôn đẩy nút điều khiển về vị trí “TẮT” rồi rút phích cắm khỏi ổ cắm nguồn điện trước khi tháo hoặc thay lưỡi cửa.**

- Để cắt bên trong bảng, hãy tháo lưỡi cửa lọng như giải thích trong phần Lắp đặt.
- Khoan một lỗ 6 mm trên bảng bạn sẽ dùng để tạo đường cắt bên trong.
- Đặt bảng lên lưỡi cửa với lỗ trên bảng nằm trên lỗ quan sát trên bàn.
- Lắp lưỡi cửa qua lỗ trên bảng và điều chỉnh độ căng của lưỡi cửa.
- Khi cắt xong đường xoắn ốc, chỉ cần tháo lưỡi cửa khỏi ngăn chứa lưỡi cửa như mô tả trong phần Lắp đặt rồi tháo bảng khỏi bàn.

**TRƯỚC MỖI LẦN SỬ DỤNG:**

**Kiểm tra máy cửa**

**RÚT PHÍCH CẮM MÁY CỬA.** Để tránh thương tích do vô tình khởi động, hãy rút phích cắm máy cửa, đẩy công tắc về vị trí “TẮT” rồi khóa công tắc trước khi thay đổi thiết lập hoặc tháo vỏ, tấm bảo vệ hay lưỡi cửa.

**Kiểm tra phôi gia công**

Đảm bảo không có đinh hoặc vật lạ trên phần phôi gia công cần cắt.

**Hết sức thận trọng khi thao tác với phôi gia công lớn, rất nhỏ hoặc có hình dạng khác thường:**

- Tuyệt đối không dùng dụng cụ này để cắt các mẫu quá nhỏ cầm bằng tay.
- Dùng vật đỡ bổ sung (bàn, giá cửa, tấm kê, v.v.) cho bất kỳ phôi gia công nào đủ lớn có thể nghiêng khi không được kẹp vào mặt bàn.
- TUYỆT ĐỐI KHÔNG** nhờ người khác làm vật thay thế cho phần kéo dài bàn hoặc làm vật đỡ bổ sung cho phôi gia công hoặc giúp đưa vào, đỡ hoặc kéo phôi gia công.

- Khi cắt các phôi gia công có hình dạng khác thường, hãy lên kế hoạch làm việc sao cho phôi gia công không kẹt vào lưỡi cửa. Chẳng hạn như phải đặt phẳng hoặc giữ một miếng ván ép bằng bộ kẹp hoặc thước dẫn hướng để vật này không bị vênh, rung hoặc trượt trong khi cắt.
- Đỡ đúng cách vật liệu tròn như gậy chốt hoặc ống. Các vật liệu này có xu hướng lăn trong khi cắt khiến lưỡi cửa bị “cắm xuống”. Để tránh điều này, hãy luôn dùng tấm kê dạng chữ “V”.
- Mỗi lần chỉ cắt một phôi gia công.
- Dọn sạch mọi thứ trừ phôi gia công và các thiết bị đỡ có liên quan khỏi bàn trước khi bật máy cửa.

**Dự tính cách bạn sẽ giữ phôi gia công từ đầu tới cuối**

Không dùng tay cầm các vật quá nhỏ khiến các ngón tay sẽ đưa vào bộ kẹp phôi gia công. Dùng thước dẫn hướng hoặc bộ kẹp để giữ phôi gia công và giúp tay cách xa lưỡi cửa.

**Trước khi lấy bất kỳ vật liệu bị kẹt nào ra:**

- Đẩy công tắc về vị trí “TẮT”.
- Khóa công tắc.
- Rút phích cắm máy cửa.
- Đợi tắt cả các bộ phận động dừng hẳn.

**Khi đẩy phôi gia công về phía sau, lưỡi cửa có thể kẹt vào rãnh (vết cắt). Điều này thường do mặt cửa bít vào rãnh.**

**Nếu điều này xảy ra:**

- Đẩy công tắc về vị trí “TẮT”.
- Khóa công tắc.
- Rút phích cắm máy cửa.
- Đợi tắt cả các bộ phận động dừng hẳn.
- Tháo lưỡi cửa khỏi ngăn chứa lưỡi cửa.
- Lấy phôi gia công có lưỡi cửa ra khỏi bàn. Lấy lưỡi cửa khỏi phôi gia công.
- Đẩy công tắc về vị trí “TẮT”.

**Trước khi lấy các chi tiết tháo rời khỏi bàn, hãy tắt máy cửa và đợi tắt cả các bộ phận động dừng hẳn.**

**CHỌN LƯỖI CỬA VÀ TỐC ĐỘ**

Cửa lọng dùng được với nhiều loại lưỡi cửa có chiều rộng và độ dày khác nhau. Chiều rộng và độ dày của lưỡi cửa cũng như số răng trên mỗi inch được xác định theo loại vật liệu và bán kính vật cần cắt. Xem biểu đồ sau.

Răng/Inch	Chiều rộng	Độ dày	Tốc độ (Số kỳ/phút)	Vật liệu cắt
10	2,5 mm	0,46 mm	C (1200 - 1600)	Dụng cụ này thường cắt gỗ cứng và mềm có kích thước phổ biến từ 5 mm tới 50 mm. Ngoài ra, cắt cả nhựa, giấy, vải dạ, xương, v.v.
15	2,5 mm	0,46 mm	B (600 - 1200)	Gỗ, nhựa, cắt cục mảnh các vật liệu có độ dày từ 2,5 mm tới 13 mm.
18	2,4 mm	0,25 mm	A (400 - 600)	Dùng để tạo bán kính nhỏ trên các vật liệu mỏng từ 3,4 mm tới 3 mm như lớp gỗ dán, gỗ, xương, sợi, ngà, nhựa, v.v.

Theo quy tắc chung, luôn nên chọn lưỡi cửa hẹp nhất để cắt đường cong phức tạp và lưỡi cửa rộng nhất để cắt đường cong thẳng và rộng.



# Bảo trì máy cửa lọng

## BẢO TRÌ

### ⚠ CẢNH BÁO:

Để an toàn cho bạn, hãy đẩy nút điều khiển về vị trí “TẮT” rồi rút phích cắm khỏi ổ cắm nguồn điện trước khi bảo trì hoặc bôi dầu cho máy cửa.

### Tổng quát

Thỉnh thoảng bôi sáp nhão lên bàn gia công để gỡ cặn cắt trượt nhẹ nhàng trên bề mặt gia công.

### Động cơ

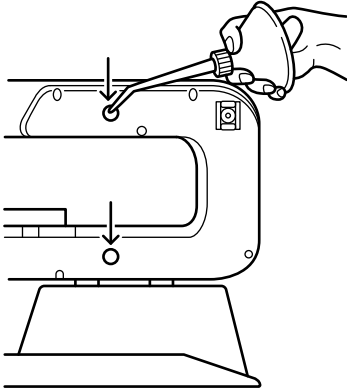
Nếu dây nguồn bị mòn, cắt hoặc hỏng theo bất kỳ cách nào, hãy thay dây ngay.

Không cố tra dầu cho vòng bi động cơ hoặc bảo dưỡng các bộ phận bên trong động cơ.

### Vòng bi tay cầm

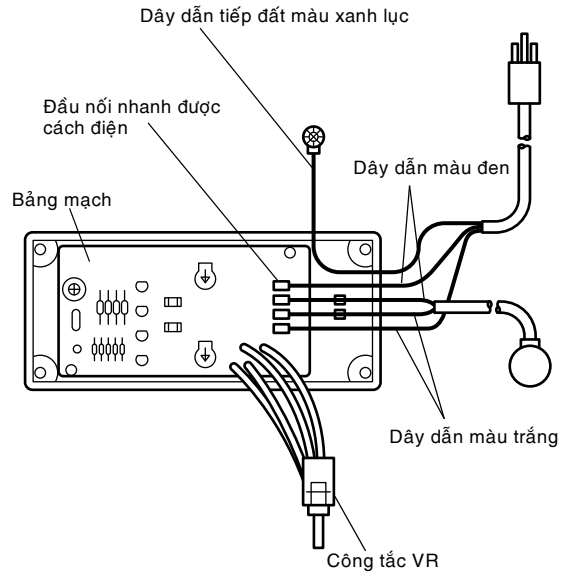
Bôi trơn vòng bi tay cầm sau mỗi 10 giờ sử dụng. Tra dầu lại sau mỗi 50 giờ sử dụng hoặc bất cứ khi nào có tiếng kêu từ vòng bi.

### PHƯƠNG PHÁP TRA DẦU VÒNG BI



1. Xoay máy cửa sang bên.
2. Phun một lượng lớn Dầu SAE20 xung quanh đầu trục và vòng bi bằng đồng.
3. Để dầu ngấm vào vị trí này qua đêm.
4. Ngày tiếp theo, hãy lặp lại quy trình trên cho phía bên kia máy cửa.

## SƠ ĐỒ ĐI DÂY



### ⚠ CẢNH BÁO:

Để tránh tử vong do điện giật hoặc hỏa hoạn, chỉ sửa chữa điện bằng các bộ phận bảo dưỡng được đề xuất và lắp lại chính xác như lúc đầu.

## Khắc phục sự cố

### ⚠ CẢNH BÁO:

Xoay công tắc về vị trí “TẮT” và luôn rút phích cắm khỏi nguồn điện trước khi khắc phục sự cố.

KHẮC PHỤC	SỰ CỐ	SỬA CHỮA
Vỡ lưới cửa	<ol style="list-style-type: none"><li>Độ căng không phù hợp.</li><li>Lưới cửa làm việc quá tải.</li><li>Dùng sai lưới cửa.</li><li>Vênh lưới cửa trong gỗ.</li><li>Số răng trên mỗi inch không chính xác.</li></ol>	<ol style="list-style-type: none"><li>Điều chỉnh độ căng của lưới cửa.</li><li>Giảm tốc độ đưa lưới cửa.</li><li>Dùng lưới cửa hẹp để cắt gỗ mỏng, lưới cửa dày để cắt gỗ dày hơn.</li><li>Tránh áp suất biên trên lưới cửa.</li><li>Lưới cửa phải có ít nhất 3 răng tiếp xúc với phôi gia công.</li></ol>
Động cơ không chạy.	<ol style="list-style-type: none"><li>Phích cắm hoặc dây bị hỏng.</li><li>Mô tơ hỏng.</li><li>Kết nối dây hỏng.</li></ol>	<ol style="list-style-type: none"><li>Thay các bộ phận bị hỏng trước khi dùng lại máy cửa.</li><li>Tham khảo ý kiến của Trung tâm bảo dưỡng. Việc cố sửa chữa động cơ này có thể làm mất hiệu lực bảo hành.</li><li>NGUY HIỂM trừ khi việc sửa chữa do kỹ thuật viên bảo dưỡng đủ trình độ thực hiện.</li></ol>
Rung LƯU Ý: Luôn có hiện tượng rung khi máy cửa đang chạy do hoạt động của động cơ.	<ol style="list-style-type: none"><li>Lắp máy cửa không đúng cách.</li><li>Bề mặt lắp không phù hợp.</li><li>Bàn không chắc chắn hoặc bàn tỳ vào động cơ.</li><li>Lắp mô tơ không chắc chắn.</li></ol>	<ol style="list-style-type: none"><li>Xem phần “LẮP MÁY CỬA LỌNG VÀO BÀN GIA CÔNG”.</li><li>Bàn gia công càng nặng thì độ rung càng ít hơn. Bàn gia công bằng ván ép sẽ không tốt bằng bề mặt gia công bằng gỗ xẻ có cùng kích thước. Chọn bề mặt lắp đặt theo hiểu biết cơ bản.</li><li>Vặn chặt nút khóa bàn.</li><li>Vặn chặt vít lắp động cơ.</li></ol>

### CHÚ Ý:

Tham khảo ý kiến của Trung tâm bảo dưỡng tại địa phương bạn nếu động cơ không chạy vì bất kỳ lý do nào.

## ข้อมูลทางเทคนิค

คอเลื่อย	406 มม.
ความยาวของใบเลื่อย	125 มม.
รอบต่อนาที	400-1,600
ความยาวทั้งหมด	600 มม.
น้ำหนักสุทธิ	14.1 กก.

\* ผู้ผลิตขอสงวนสิทธิ์ในการเปลี่ยนแปลงข้อมูลทางเทคนิคโดยไม่ต้องแจ้งให้ทราบล่วงหน้า

\* หมายเหตุ: ข้อมูลทางเทคนิคอาจแตกต่างกันในแต่ละประเทศ

**คำเตือน:** เพื่อความปลอดภัยของคุณ โปรดอ่านและทำความเข้าใจก่อนใช้งาน  
เก็บรักษาคู่มือเหล่านี้ไว้เพื่อใช้เป็นข้อมูลอ้างอิงในอนาคต

## สารบัญ

กฎความปลอดภัยทั่วไป	35
กฎความปลอดภัยพิเศษสำหรับเลื่อยจล	36
การแกะหีบห่อและการตรวจสอบสิ่งที่มีอยู่ในบรรจุภัณฑ์	37
ทำความรู้จักเลื่อยจลของคุณ	38
อภิธานศัพท์	39
การประกอบและการปรับ	39
การยึดเลื่อยจลเข้ากับโต๊ะทำงาน	39
การตั้งโต๊ะสำหรับการตัดตามแนวนอนหรือการตัดเอียง	40
การปรับขาคัดค่าง	40
การปรับเครื่องเป่าฝุ่น	40
การวางแนวตัวแสดงขนาดมุม	40
การติดตั้งใบเลื่อยแบบปลายแหลม	41
การติดตั้งใบเลื่อยแบบปลายเรียบ	41
การถอดใบเลื่อยแบบปลายเรียบ	41
ปุ่มควบคุมความเร็ว/สวิตช์เปิด-ปิด	42
การใช้งานเลื่อยจลเบื้องต้น	42
การตัดจลภายใน	43
ก่อนการใช้งานแต่ละครั้ง:	43
การเลือกใบเลื่อยและความเร็ว	43
การดูแลรักษาเลื่อยจลของคุณ	44
การแก้ไขปัญหา	45

## กฎความปลอดภัยทั่วไป

### 1. รู้จักเครื่องมือไฟฟ้าของคุณ

อ่านและทำความเข้าใจคู่มือผู้ใช้และป้ายที่ติดอยู่บนเครื่องมือ เรียนรู้การประยุกต์ใช้งานและข้อจำกัด รวมทั้งอันตรายที่อาจเกิดขึ้นจากเครื่องมือนี้

### 2. ต่อสายดินเครื่องมือทั้งหมด

เครื่องมือนี้ติดตั้งสายไฟที่มีตัวนำแบบ 3 ตัว และปลั๊ก 3 หัวแบบที่มีขั้วสายดินที่ได้รับการรับรอง เพื่อใช้กับเต้าเสียบที่มีการต่อสายดินได้อย่างเหมาะสม ตัวนำสีเขียวในสายไฟคือสายดิน อย่าเชื่อมต่อสายสีเขียวเข้ากับขั้วที่มีไฟเป็นอันตราย

### 3. รักษาความสะอาดของพื้นที่ทำงาน

พื้นที่ที่กระเบื้องและยกพื้นสูงอาจทำให้เกิดอุบัติเหตุได้ พื้นต้องไม่ลื่น เนื่องจากแรงกระแทกหรือขี้อเลื่อย

### 4. หลีกเลี่ยงสภาพแวดล้อมที่เป็นอันตราย

อย่าใช้เครื่องมือในสถานที่ที่มีความชื้นสูงหรือเปียก หรือในที่ที่เครื่องมืออาจถูกฝน ดูแลพื้นที่ทำงานให้มีแสงสว่างเพียงพอ ต้องมีพื้นที่ทำงานโดยรอบอย่างเพียงพอ

### 5. ติดตั้งอุปกรณ์ป้องกันเข้าที่เสมอ

ในการทำงาน และในการปรับและการวางตำแหน่ง

### 6. นำคีย์ปรับแต่งหรือประแจออก

ตรวจสอบทุกครั้งเพื่อดูว่าได้นำคีย์และประแจปรับแต่งออกจากเครื่องมือก่อนเปิดสวิตช์เครื่อง

### 7. จัดเก็บให้พ้นมือเด็ก

บุคคลอื่นควรอยู่ให้ห่างในระยะปลอดภัยจากพื้นที่ทำงาน

### 8. ตรวจสอบให้แน่ใจว่ามีการป้องกันไม่ให้เด็กเข้าไปในพื้นที่ทำงาน

โดยใช้แม่กุญแจ, สวิตช์ตัดไฟหลัก หรือโดยการถอดกุญแจสตาร์ท

### 9. อย่าฝืนเครื่องมือ

เพราะจะไม่ทำให้งานดีขึ้นและปลอดภัยขึ้นหากใช้งานเกินขีดความสามารถของเครื่องที่ได้รับการออกแบบมา

### 10. อย่ายืนบนเครื่องมือ

อาจเกิดการบาดเจ็บร้ายแรงได้หากเครื่องมือล้ม หรือหากสัมผัสกับเครื่องตัด โดยไม่ได้ตั้งใจ

อย่าจับเก็บวัสดุไว้เหนือหรือใกล้กับเครื่องมือ โดยที่จำเป็นต้องยืนบนเครื่องมือเพื่อหยิบวัสดุนั้น

### 11. ใช้เครื่องมือที่เหมาะสม

อย่าฝืนเครื่องมือหรืออุปกรณ์เชื่อมต่อเพื่อทำงานนอกเหนือไปจากที่เครื่องมือหรืออุปกรณ์เชื่อมต่อได้รับการออกแบบมา

### 12. สวมใส่ชุดที่เหมาะสม

อย่าสวมใส่ชุด, ถุงมือ, เนคไท หรือเครื่องประดับ (แหวน, นาฬิกาข้อมือ) ที่หลวม เนื่องจากจะเข้าไปติดกับชิ้นส่วนที่เคลื่อนที่ได้ แนะนำให้สวมใส่รองเท้าแบบกันลื่น

สวมหมวกครอบผมเพื่อเก็บผมยาวให้มิดชิด พับแขนเสื้อขึ้นให้อยู่เหนือข้อศอก

### 13. ทำงานอย่างปลอดภัย

หากสามารถทำได้ ให้ใช้อุปกรณ์จับยึดหรือที่จับจับชิ้นงานไว้ เพราะจะปลอดภัยกว่าการใช้มือจับ และจะช่วยให้มือทั้งสองข้างว่างพอที่จะใช้เครื่องมือได้

### 14. ใช้แนวตานิรภัย

สวมแว่นตานิรภัย (ต้องตรงตามมาตรฐาน ANSI Z87.1) ตลอดเวลา เว้นแต่ปกติที่สวมใส่ทุกวันมีเลนส์ที่ทนแรงกระแทกเท่านั้น ไม่ใช่แว่นตานิรภัย นอกจากนี้ หากใช้งานเครื่องเพื่อทำงานตัดที่มีฝุ่นมาก ให้ใช้หน้ากากหรือหน้ากากกันฝุ่น และใช้อุปกรณ์ป้องกันหู (ปลั๊กอุดหูหรือที่ครอบหู) ในระหว่างที่ใช้งานเครื่องเป็นเวลานานหรือเมื่อใช้งานเครื่องตามปกติ

## 15. อย่าทำงานในระยงที่สดุเอื้อม

จัดทำกรย่นและกรทงต้วให้เหมสมตลอดเวล

## 16. ตรวจสอบชิ้นส่วนที่ชำรุด

ก่อนใช้งนเครื่องมือ ควรตรวจสอบอุปกรณ์ป้องกันหรือชิ้นส่วนที่ชำรุดอย่างละเอียด เพื่อให้แน่ใจว่าอุปกรณ์ดังกล่าวจะสามารถทำงานได้อย่างเหมสมตามปกติ ตรวจสอบกรวางตำแหน่งของชิ้นส่วนที่เคลื่อนที่ได้ การเชื่อมตอของชิ้นส่วนที่เคลื่อนที่ได้ การแตกหักของชิ้นส่วน กรประกอบและสภอื่น ๆ ที่อาจส่งผลต่อกรทำงาน ควรซ่อมแซมหรือเปลี่ยนอุปกรณ์ป้องกันหรือชิ้นส่วนใด ๆ ที่เสียหายตามความเหมสม

## 17. ใช้งนอุปกรณ์เสริมที่แนะนำ

ดูข้อมูลเกี่ยวกับอุปกรณ์เสริมที่แนะนำในคู่มือผู้ใช้ ปฏิบัติตามคำแนะนำที่ให้มพร้อมกบอุปกรณ์เสริม กรใช้งนอุปกรณ์เสริมที่ไม่เหมสม อาจทำให้เกิดอันตรายได้

## 18. กรปลดกรเชื่อมตอเครื่องมือ

ก่อนทำกรตรวจแซม เมื่อเปลี่ยนอุปกรณ์เสริม เช่น ไบเลื่อย, หัวเจาะ, ไบตัด เป็นต้น

## 19. ทิศทงกรป้อน

ป้อนชิ้นงนเข้าไปยังไบเลื่อยหรือไบตัดในทิศทงที่สวกับทิศทงกรหมุนของไบเลื่อยหรือไบตัดเท่านั้น

## 20. ดูแลรักษาเครื่องมืออย่างระมัดระวัง

ดูแลให้เครื่องมือให้คมและสะอาดอยู่เสมอ เพื่อให้ได้งนที่ดีและปลอดภัยมากขึ้น ปฏิบัติตามคำแนะนำในกรหล่อลื่นและกรเปลี่ยนไบเลื่อย, หัวเจาะ, ไบตัด เป็นต้น

## 21. หลีกเลียงกรสตรตเครื่องโดยไม่ได้ตั้งใจ

ก่อนเสียบปลั๊กไฟ ต้องตรวจสอบให้แน่ใจว่าสวิตช์อยู่ในตำแหน่ง "OFF"

## 22. อย่าปล่อยเครื่องมือให้ทำงานโดยไม่มีคนดูแล

ปิดเครื่อง รอจนกว่าเครื่องมือจะหยุดนิ่งแล้วจึงปล่อยเครื่องมือทิ้งไว้

## 5. กรป้องกัน: ตา, มือ, หน้า, หู และลำต้ว

A. เพื่อหลีกเลียงกรถูกตึงเข้าไปในไบเลื่อย:

- พับแขนเสื้อขึ้นให้อยู่เหนือข้อศอก
- อย่าสวมใส่ถุงมือ, เครื่องประดับ, เนคไท หรือเสื้อผ้าที่หลวม
- หากผมยาว ให้รวบผมแล้วผูกไว้ด้านหลัง

B. อย่าตัดชิ้นส่วนวัสดุที่มีขนาดเล็กเกินกว่าที่จะใช้มือจับยึดไว้ที่ด้านนอกของอุปกรณ์ป้องกันไบเลื่อย/ขาคัดค่าง

C. หลีกเลียงกรวางมือข้างที่ไม่ถนัดไว้บนที่ที่มีโอกาสลื่นได้โดยไม่คาดคิด เนื่องจากกรทำให้มือเลื่อนเข้าไปในไบเลื่อยได้

D. เพื่อหลีกเลียงกรลื่นในขณะยกชิ้นงน ให้ตรวจสอบให้แน่ใจว่าพื้นของไบเลื่อยชี้ล่งไปทงโต๊ะ

E. เพื่อหลีกเลียงกรแตกหักของไบเลื่อย ให้ปรับความตึงของไบเลื่อยอย่างถูกต้อง

F. เพื่อหลีกเลียงกรสูญเสียกรควบคุมชิ้นงนหรือเครื่องมือ:

- เมื่อทำกรตัดวัสดุที่มีขนาดใหญ่ ให้ตรวจสอบให้แน่ใจว่ามีกรรองรับวัสดุไว้ที่ระดับความสูงเดียวกับโต๊ะแล้ว
- ยึดชิ้นงนเข้ากับโต๊ะให้แน่นหนา

• ระหว่างทำกรตัด อย่าป้อนวัสดุเร็วเกินไป ป้อนวัสดุให้เร็วพอที่จะให้ไบเลื่อยตัดได้เท่านั้น

• ใช้ความระมัดระวังเมื่อจะตัดวัสดุให้ขาด เนื่องจากส่วนหน้าตัดอาจไม่เรียบและอาจจิกไบเลื่อยก่อนที่กรตัดจะเสร็จสมบูรณ์ ตัวอย่างเช่น ต้องวางชิ้นส่วนของงนหล่อแบบราบไปกับโต๊ะ และต้องไม่โยกในระหว่างกรตัด

• ใช้ความระมัดระวังเมื่อตัดวัสดุที่โค้งมนให้ขาด เช่น ก้านเคียว หรือท่อ มีแนวโน้มที่วัสดุที่โค้งมนจะหมุนในระหว่างกรตัด และทำให้ไบเลื่อยกินเข้าไปในเนื้อวัสดุได้ ใช้ปลั๊กรูปต้ว V เพื่อควบคุมชิ้นงน

G. เมื่อถอนไบเลื่อยออกจากชิ้นงน ไบเลื่อยอาจติดอยู่ในร่องตัด (รอยตัด) ... ซึ่งมักเกิดจากมีขี้เลื่อยอุดตันในร่องตัด หากเกิดขึ้น: ปิดเครื่องเลื่อยจล ... ถอดปลั๊กออกจากเต้าเสียบจ่ายไฟ ... ใช้ลิ้มแยกร่องตัดให้เปิดออก ... ถอนไบเลื่อยออกจากชิ้นงน

H. เพื่อหลีกเลียงกรใช้งนโดยไม่มีผู้ควบคุมดูแลหรืออุบัติเหตุเนื่องจากกรปล่อยปลดละเลย

- อย่าออกจากพื้นที่ทำงานของเลื่อยจลที่เปิดเครื่องไว้ก่อนที่เครื่องมือจะหยุดสนิท
- อย่าวางผัง, กรประกอบ หรือเตรียมชิ้นงนบนโต๊ะ ในระหว่างที่เครื่องตัดทำงานอยู่
- ก่อนติดตั้งหรือถอดอุปกรณ์เชื่อมตอที่เป็นอุปกรณ์เสริมออก ให้ "ปิด" สวิตช์เลื่อย และถอดปลั๊กออกจากเต้าเสียบจ่ายไฟ
- อย่า "เปิด" เครื่องเลื่อยจลก่อนที่จะนำวัสดุทั้งหมด: (เครื่องมือ, เศษไม้ เป็นต้น) ออกจากโต๊ะเป็นอันขาด ยกเว้นชิ้นงนและอุปกรณ์ป้อนที่เกี่ยวข้อง หรืออุปกรณ์รองรับตามทีระบุในแผนกรทำงาน

## กฎความปลอดภัยพิเศษสำหรับเลื่อยจล

### ⚠ คำเตือน:

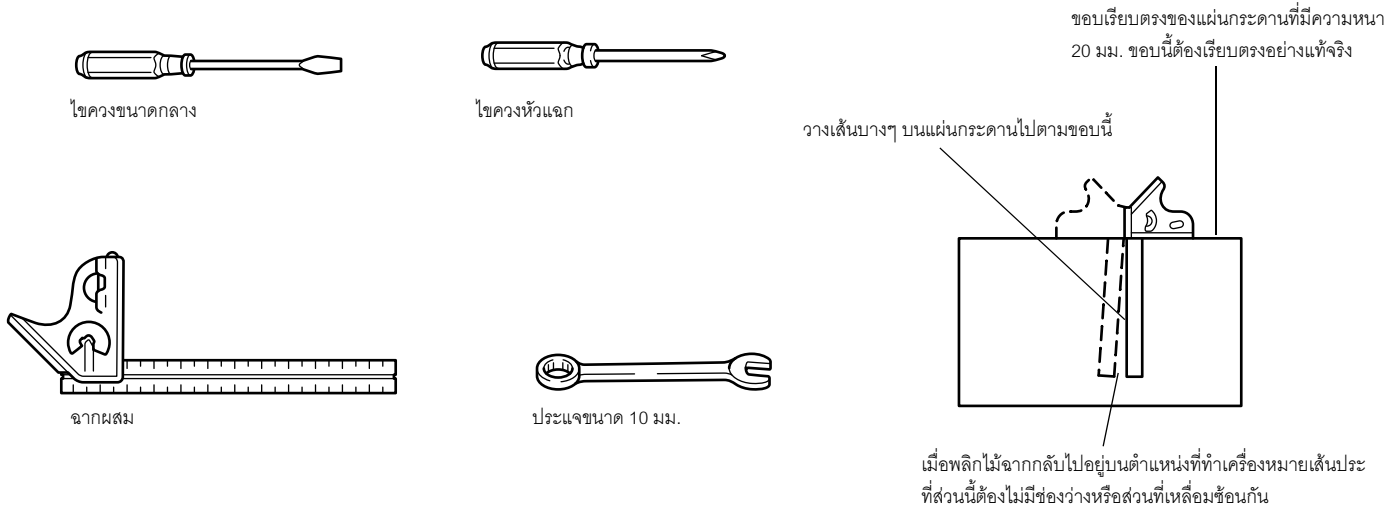
เพื่อความปลอดภัยของคุณ อย่าใช้งนเลื่อยจลของคุณจนกว่าจะประกอบชิ้นส่วนเสร็จสมบูรณ์และติดตั้งเครื่องมือตามคำแนะนำแล้ว ... และจนกว่าคุณจะได้อ่านและทำความเข้าใจสิ่งต่อไปนี้:

1. หากมีชิ้นส่วนบางชิ้นของเลื่อยจลนี้ขาดหายไป, งอ หรือไม่สามารถใช้งนได้ หรือส่วนประกอบทงไฟฟ้าทำงานผิดปกติ ให้ปิดสวิตช์แล้วถอดปลั๊กออกจากเต้าเสียบจ่ายไฟ ก่อนทำงานต่อ ต้องเปลี่ยนชิ้นส่วนที่เสียหาย, ขาดหายไป และ/หรือชำรุดก่อน
2. **คำนึ่งถึงความปลอดภัย**  
ความปลอดภัยเป็นการผสมผสานกันระหว่างสามัญสำนึกและความตื่นตัวของผูปฏิบัติงนเมื่อใช้งนเลื่อยจล
3. **ความมั่นคงของเครื่องมือ**  
ต้องยึดเลื่อยจลของคุณเข้ากับแท่นวางหรือโต๊ะทำงานให้แน่นโดยใช้โบลต์ นอกจากนี้ หากมีแนวโน้มที่เลื่อยจลจะเคลื่อนที่ในระหว่างกรทำงานบางอย่าง ให้ยึดแท่นวางหรือโต๊ะทำงานเข้ากับพื้นให้แน่นโดยใช้โบลต์
4. **ที่ตั้ง**  
เพื่อหลีกเลียงกรเกิดไฟไหม้หรือกรระเบิด อย่าใช้งนเครื่องมือในที่ที่มีไอหรือก๊าซไวไฟในอากาศ เพื่อหลีกเลียงกรบาดเจ็บจากกรที่เครื่องมือตกล่นให้ถอดปลั๊กเลื่อยก่อนที่จะเคลื่อนย้าย เลื่อยจลนี้ออกแบบมสำหรับกรงนในร่มเท่านั้น

# การแกะหีบห่อและการตรวจสอบสิ่งที่มีอยู่ในบรรจุภัณฑ์

## เครื่องมือที่ต้องใช้สำหรับการประกอบ

จากผสมต้องแม่นยำ



### ⚠ คำเตือน:

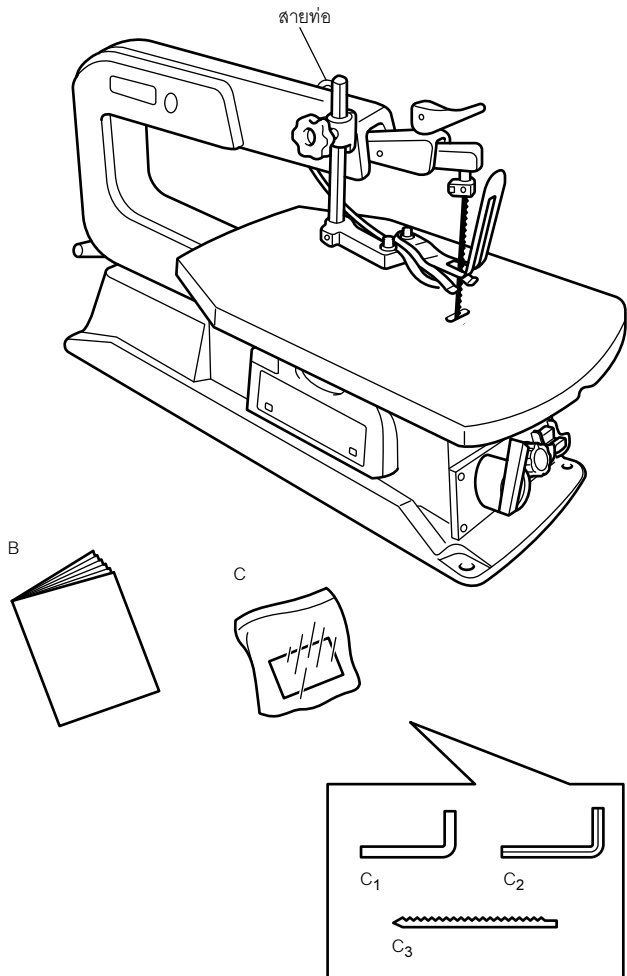
เพื่อหลีกเลี่ยงการบาดเจ็บจากการสตาร์ทโดยไม่ได้ตั้งใจหรือไฟฟ้าช็อต อย่าเสียบปลั๊กเสียบจนกว่าจะปฏิบัติตามขั้นตอนการประกอบและการวางตำแหน่งเสร็จสมบูรณ์ เมื่อใดก็ตามที่คุณทำงานกับเสียบ ต้องถอดปลั๊กสายไฟไว้เสมอ

เสียบจะจัดส่งมาให้ทั้งชุดในกล่องเดียว

แยกชิ้นส่วนทั้งหมดออกจากบรรจุภัณฑ์ และตรวจสอบชิ้นส่วนแต่ละชิ้นโดยดูจากภาพประกอบ และ "ตารางชิ้นส่วนที่ไม่ได้ยึดเข้ากับชิ้นส่วนใด" ก่อนที่บรรจุภัณฑ์ต้องตรวจสอบให้แน่ใจว่ามีชิ้นส่วนทั้งหมดครบถ้วน

หมายเหตุ:

สอดสายท่อเข้ากับไดอะแฟรมอากาศก่อนเริ่ม

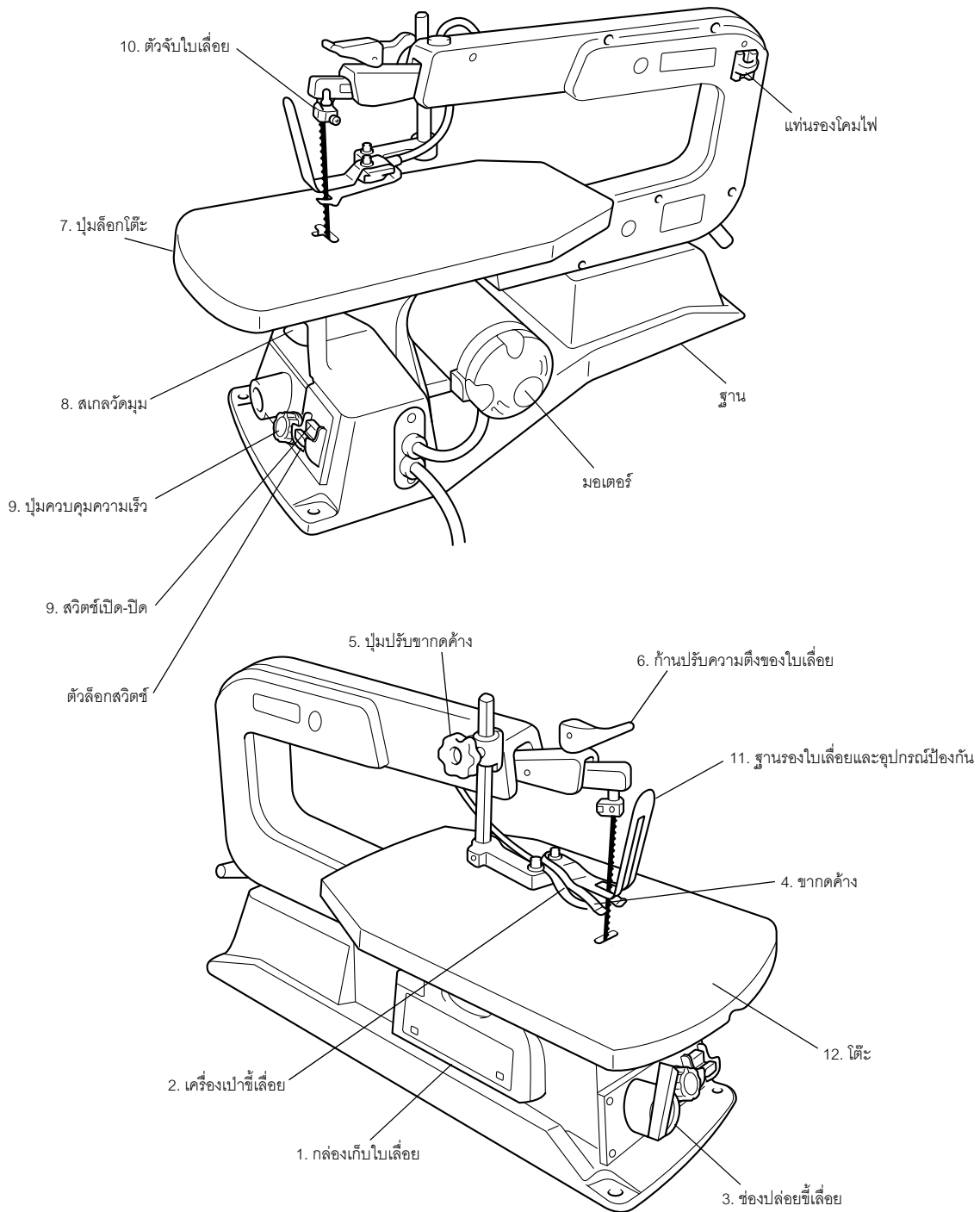


### ⚠ คำเตือน:

หากพบว่าชิ้นส่วนใดขาดหายไป อย่าพยายามประกอบเสียบจนกว่าจะเสียบปลั๊ก หรือเปิดสวิตช์ จนกว่าจะได้รับและติดตั้งชิ้นส่วนที่ขาดหายไปอย่างถูกต้อง

รายการ	ตารางชิ้นส่วนที่ไม่ได้ยึดเข้ากับชิ้นส่วนใด	จำนวน
A	ชุดประกอบเสียบพื้นฐาน	1
B	คู่มือผู้ใช้	1
C	ถุงชิ้นส่วนที่ไม่ได้ยึดเข้ากับชิ้นส่วนใด มีชิ้นส่วนต่อไปนี้:	
C <sub>1</sub>	ก้านเปลี่ยนใบเสียบ	1
C <sub>2</sub>	ประแจหกเหลี่ยมรูปตัว "L"	1
C <sub>3</sub>	ใบเสียบ	6

# ทำความรู้จักเลื่อยฉลุของคุณ



## ทำความเข้าใจจักเลื่อยของคุณ

เลื่อยจลนเนกประสงค์สำหรับใช้งานหนักที่ทนทานนี้เหมาะสำหรับใช้สร้างของเล่น, ตัวต่อ, เกม, งานศิลปะ และเครื่องประดับ และด้วยความสามารถในการตัด จึงเป็นเครื่องมือสำหรับทำงานดีใอวาที่สะดวกและใช้งานง่ายอีกด้วย เลื่อยจลนนี้สามารถตัดไม้และพลาสติกที่มีความหนาสูงถึง 50 มม. ได้

### 1. ก่อเก็บใบเลื่อย

เลื่อยจลนของคุณจะมีพื้นที่สำหรับจัดเก็บใบเลื่อยอยู่ทางด้านข้างของเลื่อย พื้นที่สำหรับจัดเก็บใบเลื่อยจะช่วยให้คุณจัดเก็บสกรูตั้งใบเลื่อย, ประแจหกเหลี่ยม และทั้งใบเลื่อยแบบปลายหมุดและใบเลื่อยแบบปลายเรียบได้อย่างสะดวก **คุณสามารถเปิดกล่องได้โดยการกดที่ด้านบน**

### 2. เครื่องเป่าซีเลื่อย

รักษาให้ชิ้นงานสะอาดเพื่อให้รอยตัดฉลุนย่นยิ่งขึ้น เพื่อให้ได้ผลลัพธ์ที่ดีที่สุด ควรปล่อยให้ลมจากท่อเครื่องเป่าไหลผ่านใบเลื่อยและชิ้นงานตลอดเวลา หากต้องการปรับ ให้คลายสกรูตั้งในชุดประกอบขา, วางท่อให้ได้ตำแหน่ง และขันสกรูให้แน่น  
ข้อควรระวัง: เพื่อป้องกันไม่ให้ท่อเครื่องเป่ายุบแฟบ อย่าขันแน่นเกินไป

### 3. ช่องปล่อยซีเลื่อย

เลื่อยจลนของคุณมีตะขอเกี่ยวเครื่องดูดฝุ่นติดตั้งมาด้วย คุณสมบัตินี้จะทำให้คุณสามารถต่อท่อดูดฝุ่นขนาด 32 มม. เข้าในรูที่มีอยู่ เพื่อให้สามารถกำจัดซีเลื่อยได้อย่างสะดวก

### 4. ขาดค้ำ

ควรลดระดับขาของจนกระทั่งขาอยู่บนชิ้นงานพอดี เพื่อป้องกันไม่ให้ชิ้นงานยกตัว แต่ไม่ควรลดลงมากจนชิ้นงานลาก

### 5. ปุ่มปรับขาดค้ำ

ช่วยให้คุณสามารถยกและลดระดับขาดค้ำ และล็อกไว้ที่ความสูงที่ต้องการ

### 6. ก้านปรับความตึงของใบเลื่อย

ช่วยให้คุณสามารถคลายหรือเพิ่มความตึงของใบเลื่อยได้โดยการหมุนก้าน

### 7. ปุ่มล็อกโต๊ะ

ช่วยให้คุณสามารถเอียงโต๊ะ และล็อกโต๊ะในมุมที่ต้องการได้ในระดับสูงถึง 45 องศา

### 8. สเกลวัดมุม

แสดงขนาดของมุมการเอียงโต๊ะ

### 9. ปุ่มควบคุมความเร็ว/สวิตช์เปิด-ปิด

หากต้องการข้อมูลเพิ่มเติมเกี่ยวกับการตั้งค่าการควบคุมความเร็ว ให้ดูตาราง "การเลือกใบเลื่อยและความเร็ว" สวิตช์เปิด-ปิดมีคุณสมบัติการล็อก คุณสมบัตินี้ออกแบบมาเพื่อช่วยป้องกันไม่ให้เด็กและผู้อื่นใช้งานเครื่องโดยไม่ได้รับอนุญาต

### 10. ตัวจับใบเลื่อย

จัดตำแหน่งและรักษาตำแหน่งใบเลื่อย

### 11. ฐานรองใบเลื่อยและอุปกรณ์ป้องกัน

กำหนดพื้นที่สำหรับการเคลื่อนที่ของใบเลื่อย และรองรับใบเลื่อย

### 12. โต๊ะ

ให้พื้นผิวการทำงานเพื่อรองรับชิ้นงาน

## อภิธานศัพท์

### ร่องตัด

ช่องที่ใบเลื่อยตัดผ่าน

## ขอบนำ

ขอบของชิ้นงานที่จะถูกดันให้เข้าไปในใบเลื่อยก่อน

## เส้นทางของใบเลื่อย

พื้นที่ของชิ้นงานที่เป็นเส้นในแนวเดียวกับใบเลื่อย และเคลื่อนที่ไปทางขอบของใบเลื่อย

## ตั้งฟันใบเลื่อย

ระยะห่างที่ขอบของฟันใบเลื่อยงอ (เว้า) ออกจากด้านข้างของใบเลื่อย

## ขอบตาม

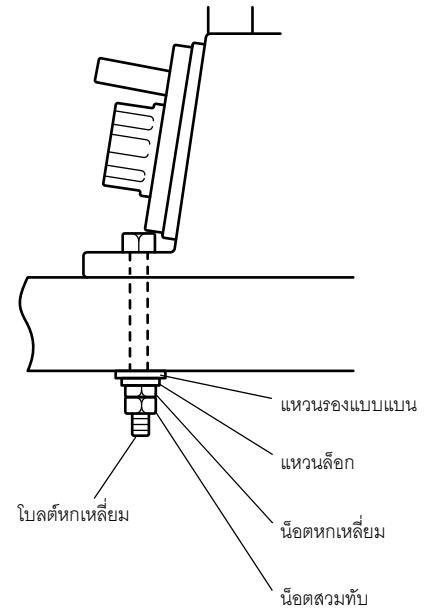
ขอบของชิ้นงานที่ใบเลื่อยตัดเป็นครั้งสุดท้าย

## ชิ้นงาน

วัสดุที่กำลังตัด

## การประกอบและการปรับ

### การยึดเลื่อยจลนเข้ากับโต๊ะทำงาน



### ⚠ คำเตือน:

ก่อนทำการปรับ ต้องปิดสวิตช์เลื่อยและถอดปลั๊กออกก่อน

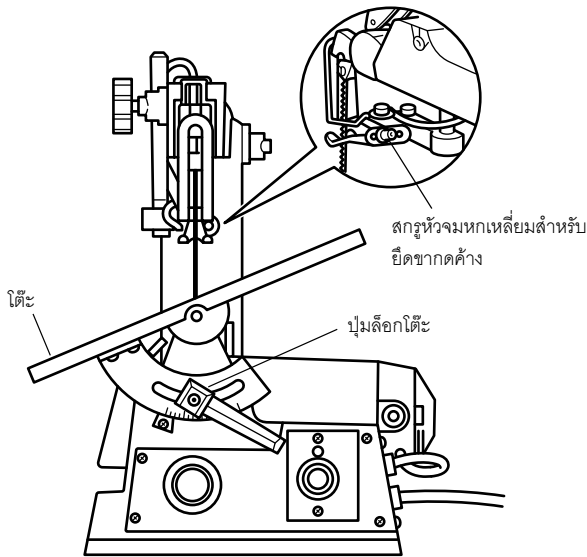
- เมื่อยึดเลื่อยนี้เข้ากับโต๊ะทำงาน โต๊ะที่แข็งแรงและเนื้อตันจะเหมาะกว่าโต๊ะไม้อัด ที่มีเสียงรบกวนและการสั่นสะเทือนมากกว่า
- อุปกรณ์ที่ใช้เพื่อยึดเลื่อยนี้เข้ากับโต๊ะทำงานไม่มีให้มาพร้อมกับเลื่อย อย่างไรก็ตาม เราแนะนำให้ใช้อุปกรณ์ที่มีขนาดไม่เล็กกว่าที่ระบุทางด้านล่าง

### จำนวน

### คำอธิบาย

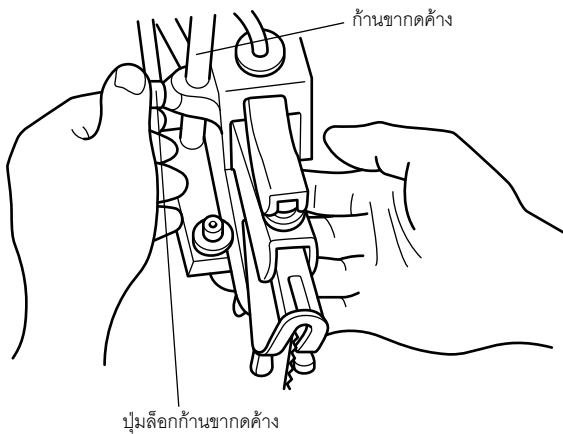
- |   |                                     |
|---|-------------------------------------|
| 3 | โบลต์หกเหลี่ยม, M8<br>จำเป็นต้องใช้ |
| 3 | แหวนรองแบบแบน, 8                    |
| 3 | แหวนล็อก, 8                         |
| 6 | น็อตหกเหลี่ยม, M8                   |
- ตัวอย่างการยึดเลื่อยจลนเข้ากับโต๊ะทำงานจะแสดงในภาพ

## การตั้งโต๊ะสำหรับการตัดตามแนวอนหรือการตัดเอียง



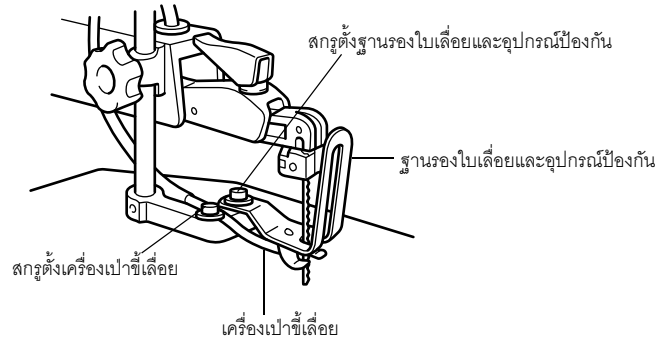
1. คลายปุ่มล็อกโต๊ะ จากนั้นจะสามารถเอียงโต๊ะเลื่อยไปทางซ้ายและล็อกไว้ที่ขนาดมุมใดก็ได้ ตั้งแต่ตำแหน่งการตัดที่มุม 0 องศาในแนวอนจนถึง 45 องศาสำหรับการตัดเอียง
2. นอกจากนี้ ยังมีสเกลวัดมุมอยู่ที่โต๊ะทำงานเพื่อใช้เป็นเครื่องมืออ้างอิงสำหรับการตั้งค่ามุมของโต๊ะโดยประมาณสำหรับการตัดเอียง เมื่อต้องการความแม่นยำที่สูงขึ้น ให้ทดลองตัดและปรับโต๊ะตามความต้องการ
3. หมายเหตุ: เมื่อตัดทำมุม สามารถเอียงขาตัดข้างให้ขนานกับโต๊ะ และวางส่วนที่แบนราบไปกับชิ้นงานได้ หากต้องการเอียงขา ให้คลายสกรูหัวจมหกเหลี่ยม เอียงขาให้ขนานกับโต๊ะ และขันสกรูให้ยึดแน่น

## การปรับขาตัดข้าง



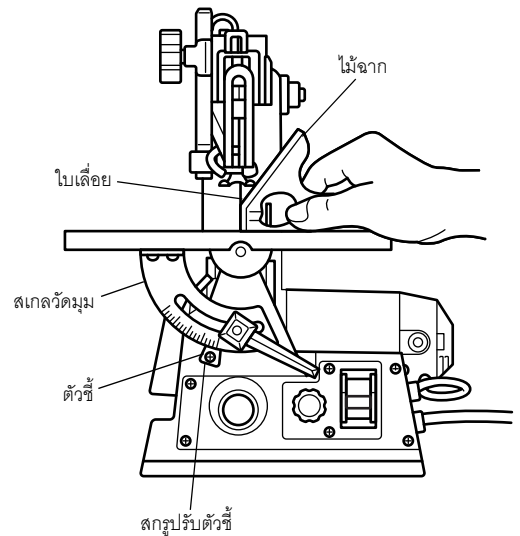
ควรปรับขาตัดข้างให้สัมผัสกับพื้นผิวด้านบนของชิ้นงานที่จะตัด โดยการคลายปุ่มปรับและเลื่อนก้านขาตัดข้างขึ้นหรือลง หลังจากปรับเสร็จแล้ว ให้ขันปุ่มปรับให้แน่น

## การปรับเครื่องเป่าฝุ่น



สามารถย้ายเครื่องเป่าฝุ่นเพื่อนำลมไปยังจุดที่มีประสิทธิภาพสูงสุดในเส้นทางตัดได้โดยการคลายสกรู, ปรับเครื่องเป่าฝุ่นตามต้องการ และขันสกรูให้แน่น

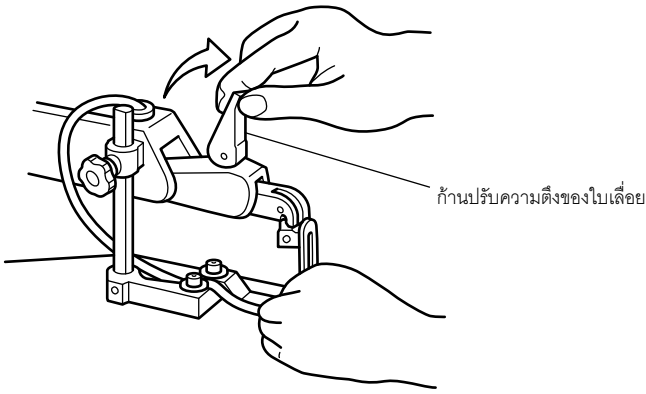
## การวางแนวตัวแสดงขนาดมุม



1. คลายปุ่มปรับขาตัดข้าง และเลื่อนก้านขาตัดข้างขึ้น จากนั้นจึงขันปุ่มปรับให้แน่น
2. คลายปุ่มล็อกโต๊ะ และเลื่อนโต๊ะจนกระทั่งโต๊ะตั้งฉากกับใบเลื่อยโดยประมาณ หรือตั้งฉากกับใบเลื่อยพอดี
3. วางไม้ฉากขนาดเล็กลงบนโต๊ะตรงบริเวณที่ใกล้กับใบเลื่อยเพื่อตรวจสอบว่าโต๊ะทำมุม 90 องศากับใบเลื่อยหรือไม่ หากต้องปรับ ให้ยกหรือลดระดับโต๊ะลงจนกระทั่งโต๊ะทำมุมประมาณ 90 องศากับใบเลื่อย และขันปุ่มล็อกโต๊ะให้แน่น
4. คลายสกรูที่ยึดตัวชี้ที่สเกลวัดมุม เลื่อนตัวชี้ไปที่เครื่องหมาย 0 องศา และขันสกรูให้แน่น จำไว้ว่าสเกลวัดมุมเป็นตัวนำที่ใช้เพื่ออำนวยความสะดวก แต่ไม่ควรเชื่อถือเมื่อต้องการความแม่นยำ ทดสอบตัดเศษไม้ เพื่อดูว่าการตั้งค่ามุมของคุณถูกต้องหรือไม่
5. เลื่อนก้านขาตัดข้างไปยังตำแหน่งที่ต้องการ



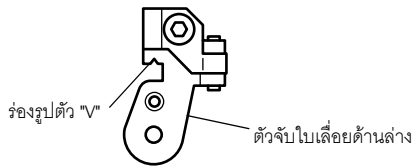
## การติดตั้งใบเลื่อยแบบปลายหมุน



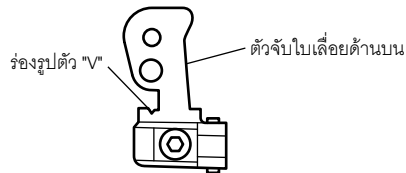
### ⚠ คำเตือน:

เพื่อหลีกเลี่ยงการบาดเจ็บจากการเคลื่อนที่ของเครื่องมือโดยไม่คาดคิด ให้ถอดปลั๊กเลื่อยก่อนติดตั้ง, ถอด หรือเปลี่ยนใบเลื่อย

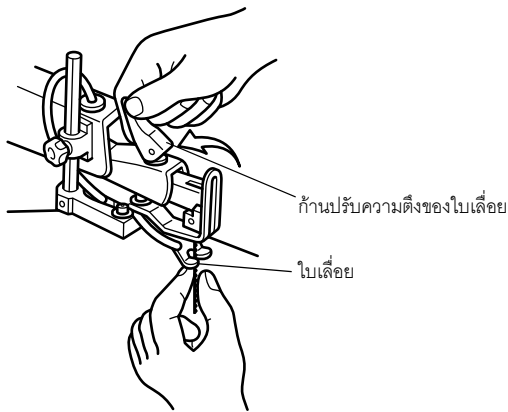
1. ถอดปลั๊กสายไฟออกจากเต้าเสียบ
2. ติดตั้งใบเลื่อยโดยให้ก้านปรับความตึงอยู่ในแนวตั้ง
3. ติดตั้งใบเลื่อยผ่านช่องสำหรับสอด โดยให้พื้นเลื่อยชี้ลง ใส่หมุดลงในร่องรูปตัว "V" ของตัวจับใบเลื่อยด้านล่าง



4. ดึงใบเลื่อยขึ้น และยึดหมุดด้านบนเข้ากับร่องของตัวจับใบเลื่อยด้านบน



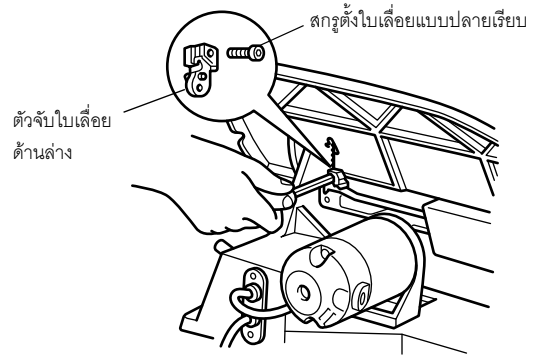
5. พลิกก้านปรับความตึงให้ลงไปที่ตำแหน่งแนวขนานเพื่อล็อกความตึง



### หมายเหตุ:

หมุนก้านปรับความตึงของใบเลื่อยตามเข็มนาฬิกาจนกระทั่งใบเลื่อยตั้งตามที่คุณต้องการ

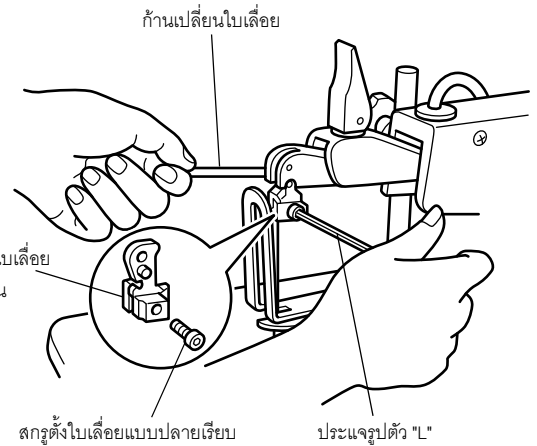
## การติดตั้งใบเลื่อยแบบปลายเรียบ



### หมายเหตุ:

สำหรับใบเลื่อยแบบปลายเรียบ ต้องใช้สกรูตั้งของตัวจับใบเลื่อย สกรูตั้งอยู่ในถุงชิ้นส่วนที่ไม่ได้ยึดเข้ากับชิ้นส่วนใด

1. ถอดปลั๊กสายไฟออกจากเต้าเสียบ
2. ติดตั้งใบเลื่อยโดยให้ก้านปรับความตึงอยู่ในแนวตั้ง
3. ติดตั้งใบเลื่อยใหม่ผ่านทางรูสำหรับสอดในโต๊ะ และสอดเข้าไปในตัวจับใบเลื่อยด้านล่าง จัดตำแหน่งปลายด้านล่างของใบเลื่อยให้อยู่ในตัวจับใบเลื่อยด้านล่าง
4. ชันสกรูตั้งใบเลื่อยแบบปลายเรียบให้แน่นโดยใช้ประแจรูปตัว "L"
5. ติดตั้งใบเลื่อยเข้าไปในตัวจับใบเลื่อยด้านบนโดยปฏิบัติตามขั้นตอนเดียวกัน ชันสกรูตั้งใบเลื่อยให้แน่นโดยใช้ประแจรูปตัว "L" ในขณะที่ที่ยึดก้านเปลี่ยนใบเลื่อยให้เข้าที่



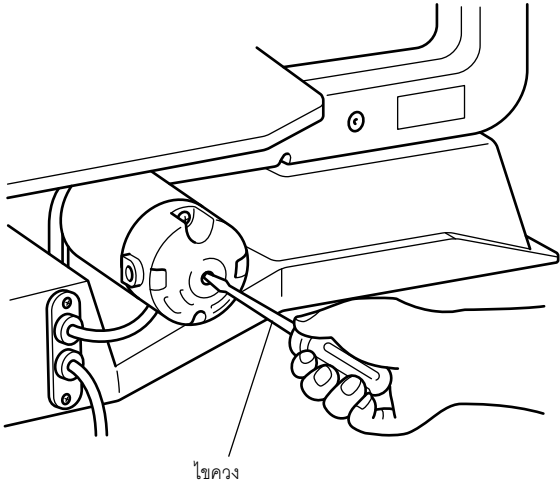
6. ถอดประแจรูปตัว "L" และก้านเปลี่ยนใบเลื่อยออกจากตัวจับใบเลื่อย
7. พลิกก้านปรับความตึงให้ลงไปที่ตำแหน่งแนวขนานเพื่อล็อกความตึง
8. หากจำเป็น ให้หมุนก้านปรับความตึงของใบเลื่อยตามเข็มนาฬิกาจนกระทั่งใบเลื่อยตั้ง

## การถอดใบเลื่อยแบบปลายเรียบ

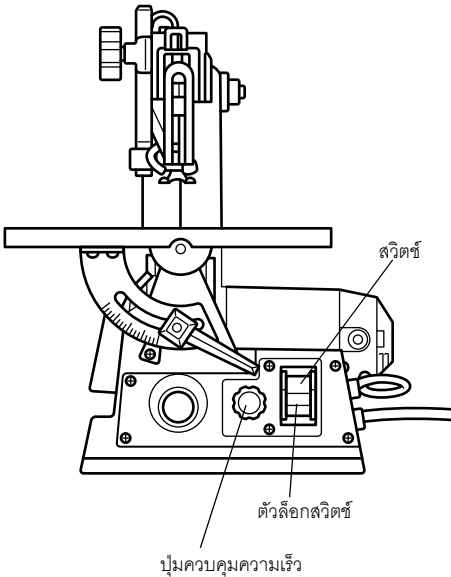
1. สอดก้านเปลี่ยนใบเลื่อยผ่านรูเหนือตัวจับใบเลื่อย และคลายสกรูตั้งใบเลื่อยของตัวจับใบเลื่อยโดยใช้ประแจรูปตัว "L"
2. ถอดใบเลื่อยออกจากตัวจับใบเลื่อยด้านบน
3. ถอดใบเลื่อยออกจากตัวจับใบเลื่อยด้านล่างโดยปฏิบัติตามขั้นตอนเดียวกัน

## หมายเหตุ:

ก่อนเสียบปลั๊กเสียบ ให้ใช้ไขควงหมุนเพลามอเตอร์อย่างน้อยหนึ่งรอบ และตรวจสอบให้แน่ใจว่าติดตั้งใบเลื่อยอย่างถูกต้อง



## ปุ่มควบคุมความเร็ว/สวิตช์เปิด-ปิด



1. เลื่อนสวิตช์ไปที่ตำแหน่ง ON  
หากปลดการเชื่อมต่อตัวล็อกสวิตช์ สวิตช์จะไม่เลื่อนไปที่ตำแหน่ง ON โดยไม่ได้ตั้งใจ

## หมายเหตุ

- หลังจากเลื่อนสวิตช์ไปที่ตำแหน่ง ON ใบเลื่อยจะยังไม่เริ่มเคลื่อนที่ในทันที นี่ถือว่าการปกติ ไม่ได้เป็นการทำงานบกพร่อง เป็นต้น
2. สามารถเปลี่ยนความเร็วของเลื่อยให้เหมาะกับการใช้งานได้ หมุนปุ่มควบคุมความเร็วในทิศทางตามเข็มนาฬิกา (↻) เพื่อเพิ่มจังหวะการชักต่อนาที หมุนปุ่มในทิศทางทวนเข็มนาฬิกา (↺) เพื่อลดจังหวะการชักต่อนาที
  3. เลื่อนสวิตช์ไปที่ตำแหน่ง OFF

## หมายเหตุ

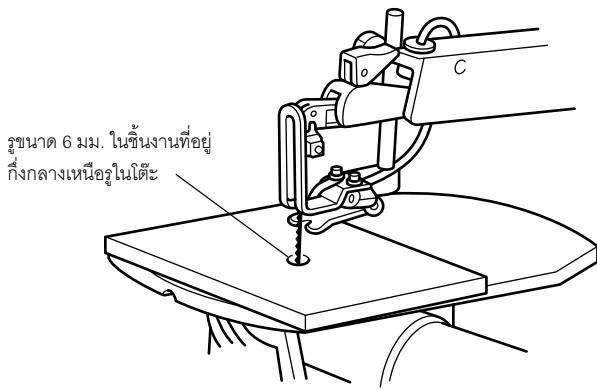
- เลื่อยจะมีอุปกรณ์ป้องกันการโอเวอร์โหลดติดตั้งไว้ในตัว (หากใบเลื่อยทำงานหนักเกินไป มอเตอร์จะหยุดในทันทีเพื่อป้องกันตัวเอง)  
ในกรณีที่อุปกรณ์ป้องกันการโอเวอร์โหลดหยุดการทำงานของมอเตอร์ ให้เลื่อนสวิตช์เปิด-ปิดไปที่ตำแหน่ง OFF  
เพื่อปลดการทำงานของอุปกรณ์ป้องกันการโอเวอร์โหลด  
ถอดปลั๊กเครื่องจักรออกจากเต้าเสียบ นำวัสดุที่ตัดออกจากบริเวณรอบๆ ใบเลื่อย และเดินเครื่องใหม่

## การใช้งานเลื่อยเบื้องต้น

ก่อนใช้งานเลื่อย โปรดอ่านและทำความเข้าใจข้อมูลเกี่ยวกับเลื่อยของคุณ ดังต่อไปนี้

1. ปลดปล่อยตัดไม้โดยการนำไม้เข้าไปในใบเลื่อยในขณะที่ใบเลื่อยกำลังเคลื่อนที่
2. ฟันใบเลื่อยจะตัดไม้ในจังหวะชักลงเท่านั้น
3. คุณต้องนำไม้เข้าไปยังใบเลื่อยช้าๆ เนื่องจากฟันใบเลื่อยมีขนาดเล็กมาก และสามารถตัดไม้ออกได้ในจังหวะชักลงเท่านั้น
4. มีพัฒนาการในการเรียนรู้สำหรับแต่ละบุคคลที่ต้องการใช้งานเลื่อยนี้ ในระหว่างช่วงเวลาหนึ่ง คาดว่าใบเลื่อยบางอันจะชำรุดจนกระทั่งคุณสามารถเรียนรู้วิธีการใช้งานเลื่อยและได้รับประโยชน์สูงสุดจากใบเลื่อย
5. จะได้ผลลัพธ์ที่ดีที่สุดเมื่อตัดไม้ที่มีความหนาอย่างน้อย 25 มม.
6. เมื่อตัดไม้ที่หนากว่า 25 มม. ผู้ใช้ต้องนำไม้เข้าไปในใบเลื่อยช้ามากๆ และใช้ความระมัดระวังอย่างสูง เพื่อให้ใบเลื่อยไม่งอหรือบิดในระหว่างที่ตัด
7. ฟันบนใบเลื่อยจะสึกหรอ ดังนั้นจึงต้องเปลี่ยนบ่อยๆ เพื่อให้ได้ผลลัพธ์การตัดที่ดีที่สุด โดยทั่วไป ใบเลื่อยจะยังคงคมอยู่ในช่วงระยะเวลาประมาณ 1/2 - 2 ชั่วโมงที่ทำการตัด
8. เพื่อให้ได้การตัดที่แม่นยำ ให้เตรียมการชดเชยจากแนวโน้มที่ใบเลื่อยจะไหลตามลายไม้ที่คุณกำลังตัด
9. เลื่อยจะออกมาแบบมาเพื่อใช้ตัดไม้หรือวัสดุที่เหมือนไม้เท่านั้น
10. เมื่อเลือกใบเลื่อยเพื่อใช้กับเลื่อยของคุณ ต้องพิจารณาสิ่งต่อไปนี้  
อย่างรอบคอบ
  - ควรใช้ใบเลื่อยแบบแคบที่มีฟันที่ละเอียดมากเพื่อตัดลึกลงไปที่บาง 6 มม. หรือน้อยกว่านั้น
  - หากต้องการตัดไม้ที่หนากว่า 6 มม. ให้ใช้ใบเลื่อยที่กว้างกว่า
  - ที่บรรจุภัณฑ์ของใบเลื่อยส่วนใหญ่จะระบุขนาดหรือความหนาของไม้ที่ใบเลื่อยสามารถตัดได้ และรัศมี ขนาดของความโค้งที่ใบเลื่อยสามารถตัดได้
  - ใบเลื่อยที่กว้างกว่าจะไม่สามารถตัดโค้งที่แคบหรือเล็กเหมือนใบเลื่อยที่บางกว่าได้
  - ใบเลื่อยที่แคบกว่าจะใช้งานได้ดีกับวัสดุที่เป็นไม้ที่บางกว่าเท่านั้น
11. เลื่อยนี้ใช้ใบเลื่อยแบบปลายหมุดหรือแบบปลายเรียบที่มีความยาว 125 มม.
12. ใบเลื่อยจะสึกหรอเร็วกว่าเมื่อตัดไม้อัด เนื่องจากมีการกดเซาะสูงมาก, เมื่อเลื่อยไม้ที่หนากว่าระยะชักของใบเลื่อย 20 มม. และเมื่อเลื่อยไม้เนื้อแข็งหรือเมื่อมีแรงดันด้านข้างใบเลื่อย

## การตัดฉลุภายใน



1. คุณสมบัติอย่างหนึ่งของเลื่อยนี้คือสามารถตัดฉลุที่ด้านในของแผ่นกระดานได้โดยไม่ต้องตัดเข้าไปจากด้านนอกหรือเส้นขอบของแผ่นกระดาน

### ⚠ คำเตือน:

เพื่อหลีกเลี่ยงการบาดเจ็บจากการสตาร์ทเครื่องโดยไม่ได้ตั้งใจ ให้ดันปุ่มควบคุมไปที่ตำแหน่ง "OFF" และถอดปลั๊กออกจากเต้าเสียบจ่ายไฟก่อนถอดหรือเปลี่ยนใบเลื่อยทุกครั้ง

2. หากต้องการตัดที่ด้านในของแผ่นกระดาน ให้ถอดใบเลื่อยออกจากตามข้ออธิบายไว้ในส่วนการประกอบ
3. เจาะรูขนาด 6 มม. ในแผ่นกระดานที่คุณจะใช้เพื่อตัดที่ด้านใน
4. วางแผ่นกระดานบนใบเลื่อย โดยให้รูในแผ่นกระดานอยู่เหนือธูสำหรับเข้าถึงในโต๊ะ
5. สอดใบเลื่อยผ่านรูในแผ่นกระดาน และปรับความตึงของใบเลื่อย
6. เมื่อตัดฉลุที่ด้านในเสร็จแล้ว เพียงแค่ถอดใบเลื่อยออกจากตัวจับใบเลื่อยตามที่อธิบายไว้ในส่วนการประกอบ และนำแผ่นกระดานออกจากโต๊ะ

## ก่อนการใช้งานแต่ละครั้ง:

### ตรวจสอบเลื่อยของคุณ

ปลดการเชื่อมต่อเลื่อย เพื่อหลีกเลี่ยงการบาดเจ็บจากการสตาร์ทเครื่องโดยไม่ได้ตั้งใจ ให้ดันสวิทช์ไปที่ตำแหน่ง "OFF" และล็อกสวิทช์ก่อนที่จะเปลี่ยนการตั้งค่าหรือถอดฝาครอบ, อุปกรณ์ป้องกัน หรือใบเลื่อย

### ตรวจสอบชิ้นงานของคุณ

ตรวจสอบให้แน่ใจว่าไม่มีตะปูหรือวัตถุแปลกปลอมในส่วนงานที่จะตัด

ใช้ความระมัดระวังเป็นพิเศษเมื่อทำงานกับชิ้นงานขนาดใหญ่, เล็กมาก หรือชิ้นงานที่มีรูปทรงแปลกๆ:

- อย่าใช้เครื่องมือเพื่อตัดชิ้นงานที่เล็กเกินกว่าที่ใช้มือจับได้เป็นอันตราย

- ใช้ฐานรองพิเศษ (โต๊ะ, ม้าเลื่อย, บล็อก เป็นต้น) เพื่อรองรับชิ้นงานที่ใหญ่พอที่จะเอียงล้มได้เมื่อไม่ได้ยึดชิ้นงานเข้ากับด้านบนของโต๊ะ
- อย่าให้คนอื่นช่วยรองรับชิ้นงานแทนส่วนต่อขยายโต๊ะ หรือใช้เป็นฐานรองเพิ่มสำหรับชิ้นงาน หรือใช้เพื่อช่วยป้อน, ประคอง หรือดึงชิ้นงาน
- เมื่อทำการตัดชิ้นงานที่มีรูปทรงแปลกๆ ให้วางแผนการทำงานเพื่อไม่ให้ชิ้นงานจิกใบเลื่อย ตัวอย่างเช่น ต้องวางชิ้นส่วนของงานหล่อแบบราบไปกับโต๊ะหรือยึดด้วยอุปกรณ์จับยึดหรือจิก เพื่อไม่ให้บิด, กลิ้ง หรือลื่นในระหว่างที่ตัด
- รองรับวัสดุที่โค้งมน เช่น ก้านเดือยหรือท่ออย่างเหมาะสม มีแนวโน้มที่วัสดุที่โค้งมนจะหมุนในระหว่างการตัด และทำให้ใบเลื่อย "กินเข้าไปในเนื้อวัสดุ" ได้เพื่อหลีกเลี่ยง ให้ชิ้นงานบล็อกรูปตัว "V" ทุกครั้ง
- ตัดชิ้นงานทีละชิ้นเท่านั้น
- ก่อนเปิดสวิทช์เลื่อย นำทุกสิ่งออกจากโต๊ะ ยกเว้นชิ้นงานและอุปกรณ์รองรับที่เกี่ยวข้อง

## วางแผนวิธีที่คุณจะยึดชิ้นงานตั้งแต่เริ่มทำจนถึงทำเสร็จ

อย่าใช้มือยึดชิ้นงานที่มีขนาดเล็กมาก เพราะนิ้วของคุณจะเข้าไปอยู่ใต้ซากด่างชิ้นงาน ใช้จิกหรืออุปกรณ์จับยึดเพื่อยึดชิ้นงาน และให้มือของคุณให้ห่างจากใบเลื่อยตลอดเวลา

## ก่อนนำวัสดุที่ติดขัดออก:

- ดันสวิทช์ไปที่ตำแหน่ง "OFF"
- ล็อกสวิทช์
- ถอดปลั๊กเลื่อย
- รอให้ชิ้นส่วนที่เคลื่อนที่ได้ทั้งหมดหยุดนิ่ง

เมื่อถอนชิ้นงานออกมาแล้ว ใบเลื่อยอาจติดอยู่ในร่องตัด (รอยตัด) ซึ่งมักจะเกิดจากมีขี้เลื่อยอุดตันอยู่ในร่องตัด หากเกิดขึ้น:

- ดันสวิทช์ไปที่ตำแหน่ง "OFF"
- ล็อกสวิทช์
- ถอดปลั๊กเลื่อย
- รอให้ชิ้นส่วนที่เคลื่อนที่ได้ทั้งหมดหยุดนิ่ง
- ถอดใบเลื่อยออกจากตัวจับใบเลื่อย
- นำชิ้นงานพร้อมใบเลื่อยออกจากโต๊ะ นำใบเลื่อยออกจากชิ้นงาน ดันสวิทช์ไปที่ตำแหน่ง "OFF"

ก่อนที่จะนำชิ้นงานที่หลวมออกจากโต๊ะ ให้ปิดสวิทช์เลื่อย แล้วรอให้ชิ้นส่วนที่เคลื่อนที่ได้ทั้งหมดหยุดนิ่ง

## การเลือกใบเลื่อยและความเร็ว

เลื่อยฉลุสามารถใช้ใบเลื่อยที่มีความกว้างและความหนาได้หลายขนาด ความกว้างและความหนาของใบเลื่อยและจำนวนฟันเลื่อยต่อนิ้วจะกำหนดโดยชนิดของวัสดุและขนาดของรัศมีในการตัด ดูตารางต่อไปนี้

ฟัน/นิ้ว	ความกว้าง	ความหนา	ความเร็ว (จังหวะชัก/นาที)	วัสดุที่จะตัด
10	2.5 มม.	0.46 มม.	C (1,200 - 1,600)	ขนาดที่นิยมใช้เพื่อตัดไม้เนื้อแข็งและไม้เนื้ออ่อนคือ 5 มม. ถึง 50 มม. รวมทั้งพลาสติก, กระดาษ, ล็กพลาสติก, กระจก เป็นต้น
15	2.5 มม.	0.46 มม.	B (600 - 1,200)	ไม้, พลาสติก, การตัดที่บางมากบนวัสดุที่หนา 2.5 มม. ถึง 13 มม.
18	2.4 มม.	0.25 มม.	A (400 - 600)	สำหรับงานรัศมีแคบในวัสดุที่บาง 3.4 มม. ถึง 3 มม. ไม้วีเนียร์, ไม้, กระจก, ไฟเบอร์, งาช้าง, พลาสติก เป็นต้น

กฎทั่วไปคือควรเลือกใบเลื่อยที่แคบที่สุดที่แนะนำสำหรับการตัดโค้งที่ซับซ้อนและใบเลื่อยที่กว้างที่สุดสำหรับการตัดเป็นแนวเส้นตรงและการตัดโค้งกว้าง

# การดูแลรักษาเลื่อยของคุณ

## การดูแลรักษา

### ⚠ คำเตือน:

เพื่อความปลอดภัยของคุณเอง ให้ดันปุ่มควบคุมไปที่ตำแหน่ง "OFF" และถอดปลั๊กออกจากเต้าเสียบจ่ายไฟก่อนทำการดูแลรักษาหรือหล่อลื่นเลื่อยของคุณ

### ทั่วไป

การเคลือบซีลที่ฝังบนโต๊ะทำงานบ้างเป็นครั้งคราวจะทำให้ไม้ที่จะตัดเลื่อนไปพื้นผิวการทำงานอย่างราบรื่น

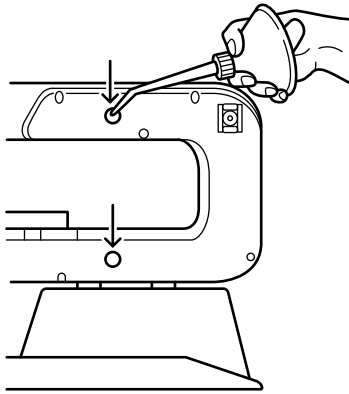
### มอเตอร์

หากสายไฟเสื่อมสภาพ มีรอยฉีก หรือเสียหายในทางใดทางหนึ่ง ให้เปลี่ยนใหม่ทันที อย่าพยายามทาหรือหยอดน้ำมันลงบนแปรงมอเตอร์หรือตรวจสอบชิ้นส่วนภายในของมอเตอร์

### แปรงรับแรง

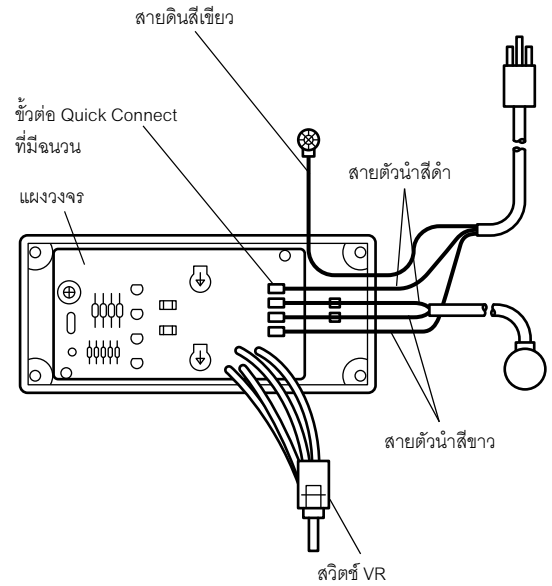
หล่อลื่นแปรงรับแรงหลังจากใช้งานไป 10 ชั่วโมง หยอดน้ำมันหลังจากใช้งานทุกๆ 50 ชั่วโมง หรือเมื่อมีเสียงเสียดสีดังมาจากแปรง

### วิธีการหยอดน้ำมันลงบนแปรง



1. หมุนเลื่อยให้ด้านข้างหันขึ้น
2. หยอดน้ำมัน SAE20 ปริมาณมากพอรอบๆ ปลายเพลลาและแปรงทองแดง
3. ปลดปล่อยให้น้ำมันซึมในตำแหน่งนี้หนึ่งคืน
4. ในวันต่อมา ให้ทำซ้ำขั้นตอนด้านบนกับที่ด้านตรงข้ามของเลื่อย

## แผนผังการเดินสายไฟ



### ⚠ คำเตือน:

เพื่อหลีกเลี่ยงการเสียชีวิตจากกระแสไฟฟ้าหรือไฟไหม้ให้ซ่อมแซมระบบไฟฟ้าโดยใช้ชิ้นส่วนอะไหล่ที่แนะนำเท่านั้น และประกอบกลับเข้าที่ให้เหมือนกับตอนแรกเริ่มที่ได้รับเครื่องมือมา

## การแก้ไขปัญหา

### ⚠ คำเตือน:

ก่อนแก้ไขปัญหา ให้ดันสวิทช์ไปที่ตำแหน่ง "OFF" และถอดปลั๊กออกจากเต้าเสียบจ่ายไฟทุกครั้ง

อาการผิดปกติ	ปัญหา	การแก้ไข
โคมไฟดับ	<ol style="list-style-type: none"> <li>1. ความตึงไม่ถูกต้อง</li> <li>2. ใช้งานโคมไฟมากเกินไป</li> <li>3. ใช้งานโคมไฟผิดวิธีหรือผิดวัตถุประสงค์</li> <li>4. โคมไฟบิดในเนื้อไม้</li> <li>5. จำนวนพืนต่อนิ้วไม่ถูกต้อง</li> </ol>	<ol style="list-style-type: none"> <li>1. ปรับความตึงของโคมไฟ</li> <li>2. ลดอัตราการใช้</li> <li>3. ใช้โคมไฟแบบแคบสำหรับตัดไม้บาง, โคมไฟแบบกว้างสำหรับตัดไม้หนา</li> <li>4. หลีกเลี่ยงอย่าให้มีแรงดันด้านข้างโคมไฟ</li> <li>5. โคมไฟควรมีพืนที่สัมผัสกับชิ้นงานอย่างน้อย 3 ซี</li> </ol>
มอเตอร์ไม่ทำงาน	<ol style="list-style-type: none"> <li>1. สายไฟหรือปลั๊กชำรุด</li> <li>2. มอเตอร์ชำรุด</li> <li>3. มีข้อบกพร่องในการเชื่อมต่อสายไฟ</li> </ol>	<ol style="list-style-type: none"> <li>1. เปลี่ยนชิ้นส่วนที่ชำรุดก่อนใช้งานเครื่องอีกครั้ง</li> <li>2. บริการศูนย์บริการ การพยายามซ่อมแซมมอเตอร์อาจทำให้การรับประกันเป็นโมฆะ</li> <li>3. อันตรายนหากซ่อมแซมโดยช่างที่ไม่ได้รับการรับรอง</li> </ol>
แรงสั่นสะเทือน หมายเหตุ: โดยปกติจะมีการสั่นสะเทือนเมื่อเครื่องทำงานเนื่องจากการทำงานของมอเตอร์	<ol style="list-style-type: none"> <li>1. ยึดเครื่องไม่ถูกต้อง</li> <li>2. พื้นผิวที่ยึดไม่เหมาะสม</li> <li>3. โด๊วหลวมหรือโด้วพึงกับมอเตอร์</li> <li>4. ยึดมอเตอร์ไม่แน่น</li> </ol>	<ol style="list-style-type: none"> <li>1. ดู "การยึดเครื่องเข้ากับโต๊ะทำงาน"</li> <li>2. โด้วทำงานที่หนักกว่าจะทำให้การสั่นสะเทือนมากกว่า พื้นผิวทำงานของโด้วทำงานไม่ยึดไม่ดีพอเมื่อเทียบกับโด้วทำงานไม่แข็งตันที่มีขนาดเดียวกัน ใช้สามัญสำนึกในการเลือกพื้นผิวที่จะยึด</li> <li>3. ชันปุมล็อกโด้วให้แน่น</li> <li>4. ชันสกรูยึดมอเตอร์ให้แน่น</li> </ol>

### หมายเหตุ:

หากมอเตอร์ของคุณไม่ทำงาน ไม่ว่าจะด้วยเหตุใดก็ตาม ให้บริการศูนย์บริการในพื้นที่ของคุณ





**Makita Corporation**  
3-11-8, Sumiyoshi-cho,  
Anjo, Aichi 446-8502 Japan