



VN	VIETNAM
----	---------

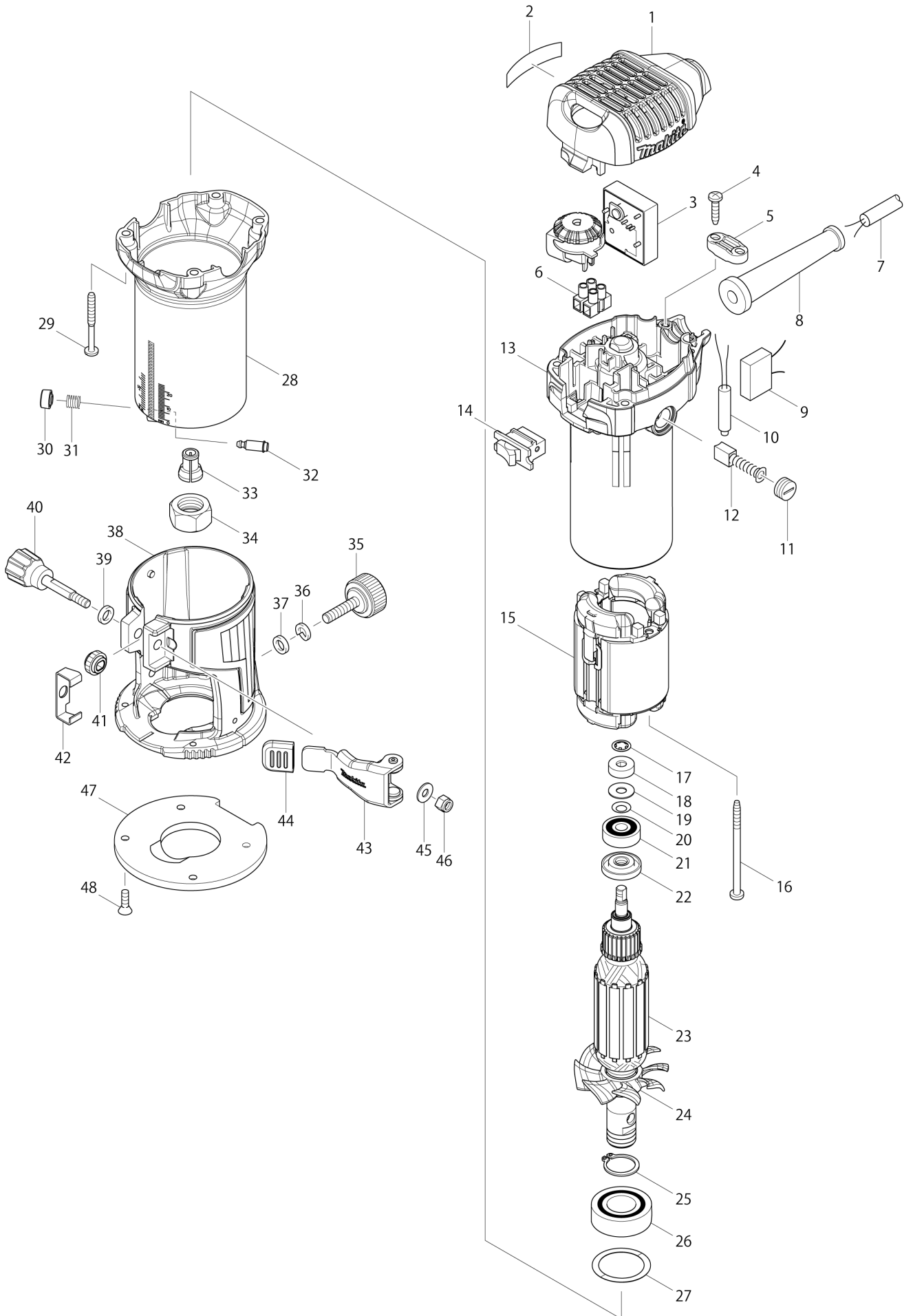
# Diagram / Parts List

**RT0700C**

**TRIMMER**



(VN) RT0700C / TRIMMER



<b>VN</b>	<b>VIETNAM</b>
-----------	----------------

**RT0700C / TRIMMER**

Item	Sub	Parts No.	Parts Description	Qty	I/C	E/C No.	Close No.	Remark
001		452465-6	TOP COVER	1				
002		869668-9	RT0700C NAME PLATE	1				
003		620040-8	CONTROLLER	1				
004		266326-2	TAPPING SCREW 4X18	2				
005		687124-5	STRAIN RELIEF	1				
006		654542-2	TERMINAL BLOCK 2P	1				
007		691065-9	POWER SUPPLY CORD 0.75-2-2.5	1				
008		682569-2	CORD GUARD 8-85	1				
011		643550-8	BRUSH HOLDER CAP 5-8	2				
012		B-80391	CARBON BRUSH SET CB-411A	1				
013		140736-0	BRACKET COMPLETE	1				
	C10	643455-2	BRUSH HOLDER 6X9	2				
014		651527-9	SWITCH	1				
015		633768-9	FIELD 220V	1			Y07750	
015-1		593768-0	FIELD ASS'Y 220V	1	<	Y07750		
	C10	654100-4	RING TERMINAL	1		Y07750		
	C20	654501-6	CONNECTOR P-1.25	1		Y07750		
016		266340-8	TAPPING SCREW 4X65	2				
017		259039-2	SELF LOCK 6	1				
018		688174-3	MAGNET SLEEVE	1			B9765	
018-1		688117-5	MAGNET SLEEVE	1	O	B9765		
019		253332-6	THIN WASHER 6	1				
020		267756-0	WAVE WASHER 6	1				
021		210023-2	BALL BEARING 627DDW	1				
022		681668-7	INSULATION WASHER	1			A1467	
022-1		681668-7	INSULATION WASHER	1	O	A1467		
023		515843-2	ARMATURE ASS'Y 220V	1				
	D10		INC. 17-22,24-26					
024		240125-0	FAN 55	1				
025		961057-5	RETAINING RING S-17	1				
026		210301-0	BALL BEARING 6003DDW	1				
027		253906-3	WAVE WASHER 26	1				
028		140735-2	OUTER HOUSING COMPLETE	1			D5472	
028-1		140735-2	OUTER HOUSING COMPLETE	1	O	D5472		
029		266560-4	TAPPING SCREW 4X40	4				
030		452468-0	PUSH BUTTON	1				
031		233127-3	COMPRESSION SPRING 7	1				
032		256437-1	PIN 4	1				
033		763637-1	COLLET CONE 1/4"	1				
034		763615-1	COLLET NUT	1				
035		265763-7	THUMB SCREW M6X25	1				
036		942151-2	SPRING WASHER 6	1			C3118	
036-1		253428-3	SPRING WASHER 6	1	O	C3118		
037		941151-9	FLAT WASHER 6	1				
038		140739-4	TRIMMER BASE COMPLETE	1			A0462	
038-1		142403-3	TRIMMER BASE COMPLETE	1	<	A0462		
039		941151-9	FLAT WASHER 6	1				
040		265792-0	THUMB SCREW M5X35	1				
041		227262-7	SPUR GEAR 16	1				
042		346392-6	CAM PLATE	1				
043		163524-8	LOCK LEVER COMPLETE	1				
044		424396-9	RUBBER CAP	1				
045		941101-4	FLAT WASHER 5	1				
046		252103-8	HEX. LOCK NUT M5-8	1				
047		413149-1	BASE PROTECTOR	1			A0462	
047-1		454842-8	BASE PROTECTOR	1	<	A0462		
048		912112-6	COUNTERSUNK HEAD SCREW M4X10	4				
A01		122965-7	STRAIGHT GUIDE ASSEMBLY	1				
	C10	252649-4	THUMB NUT M6	1				
	C20	266339-3	CAP SQUARE NECK BOLT M6X20	1				
	C30	346382-9	GUIDE PLATE	1				
A02		195559-1	DUST NOZZLE SET	1				
	C10	265774-2	THUMB SCREW M4X19	1				
A03		343577-5	TEMPLET GUIDE 10	1				
A04		763619-3	COLLET CONE 3/8"	1				

Interchange  
O : Yes  
X : No  
< : the new part can be substituted for the current.  
> : the current part can be substituted for the new.  
S : Interchangeable as a set.

