



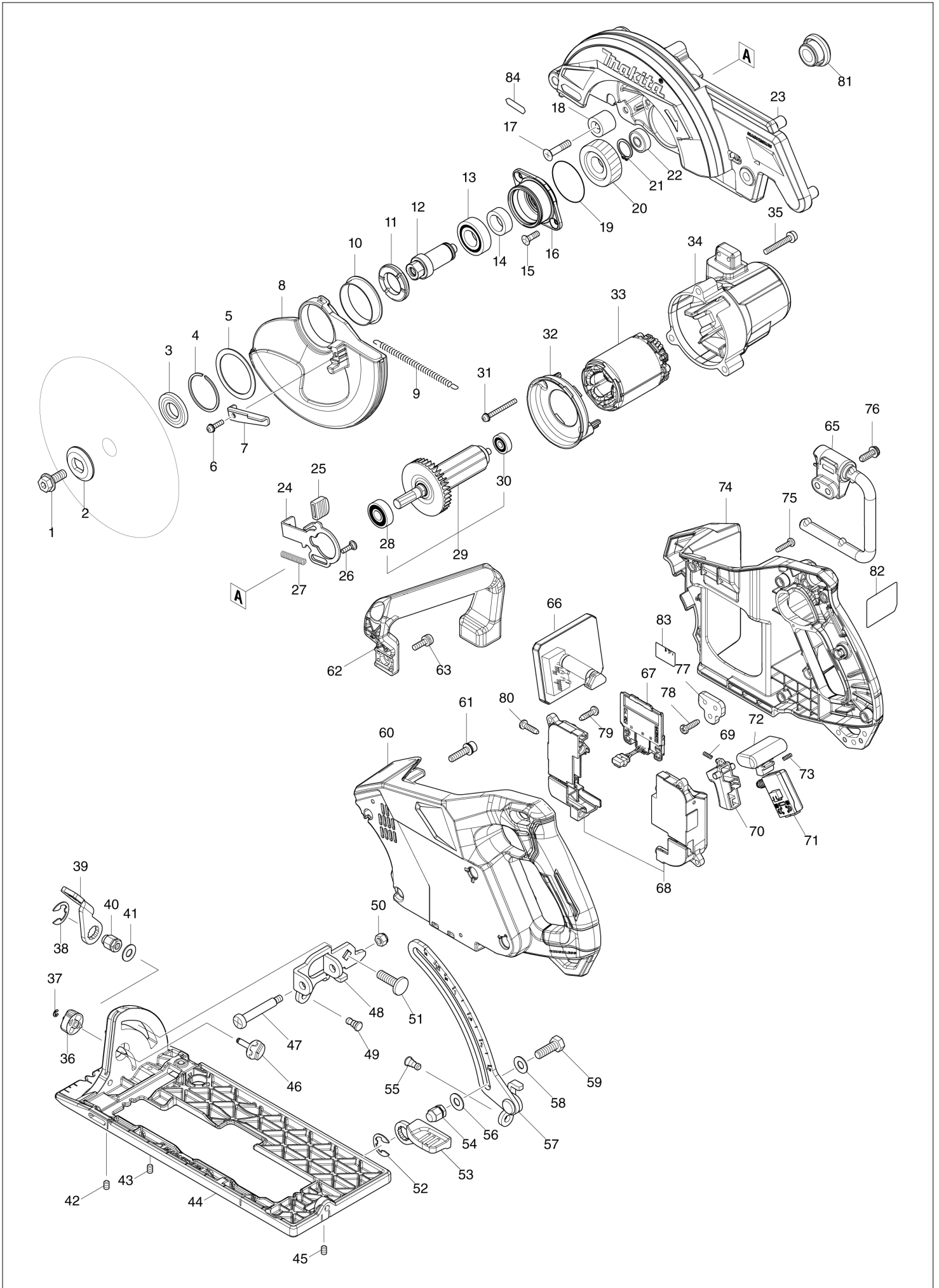
VN	VIETNAM
----	---------

Diagram / Parts List

RS001G

185MM CORDLESS REAR HANDLE SAW

(VN) RS001G / 185MM CORDLESS REAR HANDLE SAW



VN	VIETNAM
----	---------

RS001G / 185MM CORDLESS REAR HANDLE SAW

Item	Sub	Parts No.	Parts Description	Qty	I/C	E/C No.	Close No.	Remark
001		266400-6	HEX. SOCKET HEX. BOLT M8X20	1				
002		224409-4	OUTER FLANGE 35	1				
003		224593-5	INNER FLANGE 35	1				
004		257423-5	RETAINING RING(EXT) WR-42	1				
005		253393-6	FLAT WASHER 42	1				
006		911128-8	P.H.SCREW M4X16 WITH WR	1				
007		271435-4	LEVER 48	1				
008		312A89-5	SAFETY COVER	1				
009		232371-9	TENSION SPRING 5	1				
010		457434-2	SPACER	1				
011		285809-3	BEARING RETAINER 23-36	1				
012		326941-5	SPINDLE	1				
013		211251-2	BALL BEARING 6003LLB	1				
014		257024-9	RING 17	1				
015		265034-2	+ COUNTERSUNK HEAD SCREW M5X1	2				
016		319544-2	BEARING BOX	1				
017		251572-0	+ COUNTERSUNK HEAD SCREW M6X3	1				
018		262185-2	RUBBER SLEEVE8	1				
019		213565-5	O RING 42	1				
020		221542-3	HELICAL GEAR 37	1				
021		961057-5	RETAINING RING S-17	1				
022		210029-0	BALL BEARING 608ZZ	1				
023		141A11-3	BLADE CASE COMPLETE	1				
	C10	213434-0	O RING 26	1				
024		347168-4	SHAFT LOCK	1				
025		286039-9	CAP	1				
026		251529-1	+ PAN HEAD SCREW M4X14	1				
027		232381-6	COMPRESSION SPRING 6	1				
028		210059-1	BALL BEARING 6000DDW	1				
029		519435-9	ROTOR ASS'Y	1				
	D10		INC. 28,30					
030		210022-4	BALL BEARING 626DDW	1				
031		911566-4	P.H.SCREW M4X40 WITH WRM	2				
032		457430-0	BAFFLE PLATE	1				
033		629A45-1	STATOR	1				
034		141A12-1	MOTOR HOUSING COMPLETE	1				
	C10	263002-9	RUBBER PIN 4	1				
035		911258-5	PAN HEAD SCREW M5X35	3				
036		457963-5	DIAL 22	1				
037		961017-7	STOP RING E-3	1				
038		257953-6	BOW STOP RING E-12	1				
039		271468-9	LEVER 56	1				
040		252240-8	HEX. CAP NUT M8-13	1				
041		941201-0	FLAT WASHER 8	1				
042		266229-0	H.S.SET SCREW(CUP POINT)M5X8	1				
043		266229-0	H.S.SET SCREW(CUP POINT)M5X8	1				
044		312B21-5	BASE	1				
045		266229-0	H.S.SET SCREW(CUP POINT)M5X8	1				
046		327760-2	STOPPER PIN	1				
047		251221-9	+ PAN HEAD SCREW M6	1				
048		347169-2	ANGULAR GUIDE	1				
049		256511-5	SHOULDER PIN 6-7	1				
050		252014-7	HEX. LOCK NUT M6-10	1				
051		251537-2	FLATHEADSQUARE NECKBOLT M8X28	1				
052		257953-6	BOW STOP RING E-12	1				
053		271433-8	LEVER 59	1				
054		252240-8	HEX. CAP NUT M8-13	1				
055		256511-5	SHOULDER PIN 6-7	1				
056		941201-0	FLAT WASHER 8	1				
057		162566-9	DEPTH GUIDE	1				
058		941201-0	FLAT WASHER 8	1				
059		251538-0	HEX. BOLT M8X24	1				
060		183S55-5	HANDLE SET	1				
	C10	263005-3	RUBBER PIN 6	1				
	D10		INC. 74					

Interchange
O : Yes
X : No
< : the new part can be substituted for the current.
> : the current part can be substituted for the new.
S : Interchangeable as a set.

