



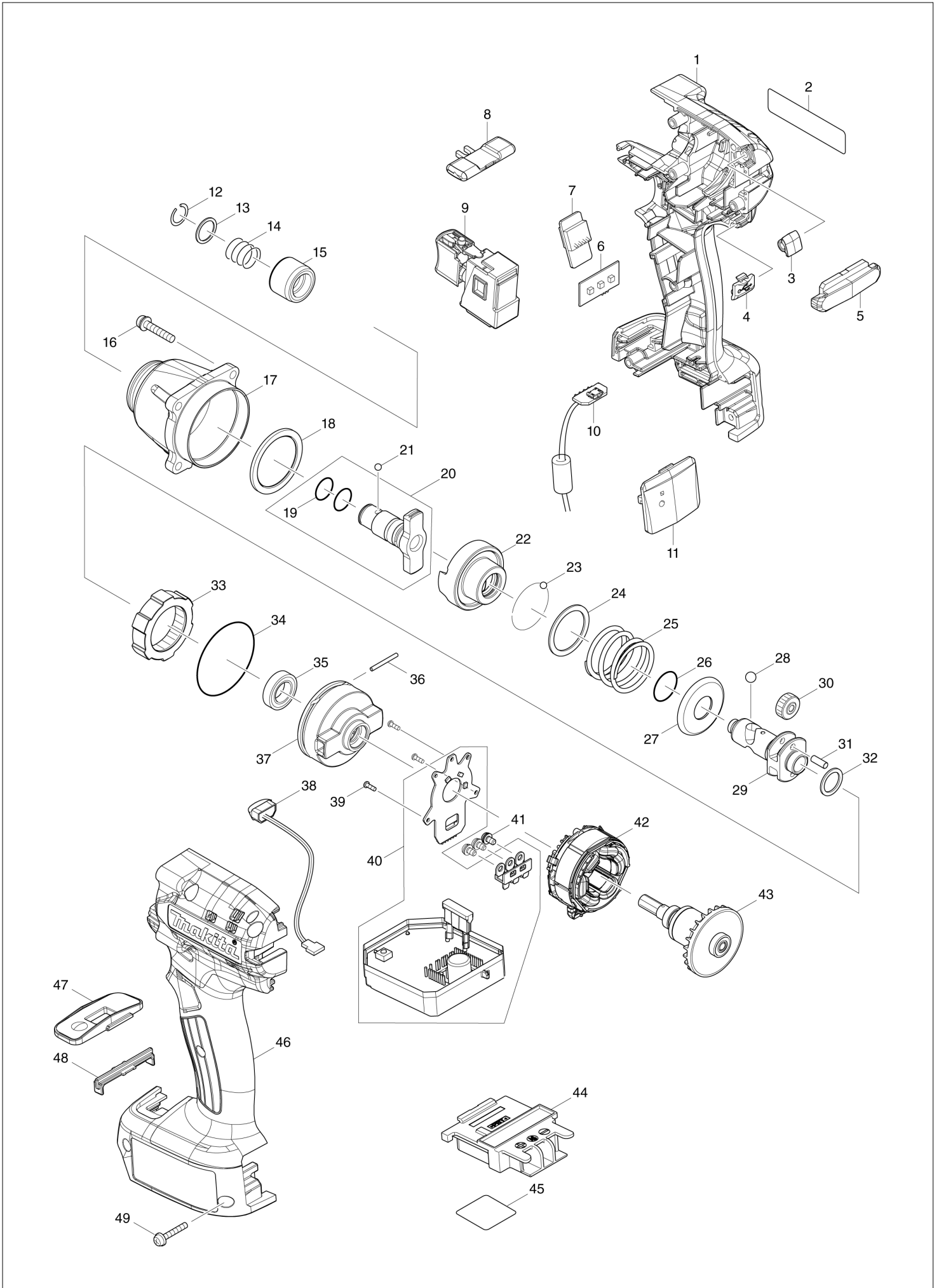
VN	VIETNAM
----	---------

Diagram / Parts List

DTDA070

CORDLESS IMPACT DRIVER

(VN) DTDA070 / CORDLESS IMPACT DRIVER



VN	VIETNAM
-----------	----------------

DTDA070 / CORDLESS IMPACT DRIVER

Item	Sub	Parts No.	Parts Description	Qty	I/C	E/C No.	Close No.	Remark
001		183M41-0	HOUSING SET	1			D0997	
	C10	263005-3	RUBBER PIN 6	2			D0997	
	C20	931002-4	HEX. NUT M3	7			D0997	
	D10		INC. 46				D0997	
001-1		183P02-8	HOUSING SET	1	<	D0997	D3038	
	C10	263005-3	RUBBER PIN 6	2		D0997	D3038	
	C20	931002-4	HEX. NUT M3	7		D0997	D3038	
	D10		INC. 46			D0997	D3038	
001-2		183M41-0	HOUSING SET	1	<	D3038		
	C10	263005-3	RUBBER PIN 6	2		D3038		
	C20	931002-4	HEX. NUT M3	7		D3038		
	D10		INC. 46			D3038		
002		855U26-1	DTDA070 NAME PLATE	1				
003		459415-2	ID COVER WHITE	1				
004		144709-5	USB COVER COMPLETE	1				
005		457484-7	LENS	1				
006		620A98-3	LED CIRCUIT	1				
007		620A97-5	BUZZER CIRCUIT	1				
008		455053-8	F/R CHANGE LEVER	1				
009		140L08-5	SWITCH COMPLETE	1				
	C10	422465-0	SWITCH COVER	1				
010		620A99-1	USB CIRCUIT	1				
011		459402-1	COVER	1				
012		231951-8	RING SPRING 11	1				
013		267085-1	FLAT WASHER 12	1				
014		233005-7	COMPRESSION SPRING 13	1				
015		162257-2	SLEEVE	1				
016		265145-3	+ PAN HEAD SCREW M4X22	4				
017		140L07-7	HAMMER CASE C COMPLETE	1				
	C10	210177-5	BALL BEARING 68/14LLU	2				
	C20	213380-7	O RING 24	2				
	C30	267063-1	FLAT WASHER 18	1				
	C40	962113-4	RETAINING RING R-24	1				
018		261160-5	NYLON WASHER 30	1				
019		213118-0	O RING 12	2				
020		136117-4	ANVIL N ASSY	1			D9016	
	D10		INC. 19				D9016	
020-1		136455-4	ANVIL N ASSY	1	<	D9016		
	D10		INC. 19			D9016		
021		216001-0	STEEL BALL 3.5	2				
022		327343-8	HAMMER B	1				
023		216001-0	STEEL BALL 3.5	24				
024		267175-0	FLAT WASHER 24	1				
025		232524-0	COMPRESSION SPRING 25 A	1				
026		213541-9	O-RING 14	1				
027		267851-6	CUP WASHER 14	1				
028		216011-7	STEEL BALL 5.6	2				
029		327354-3	SPINDLE A	1				
030		226896-3	SPUR GEAR 16	2				
031		256173-9	PIN 3.5	2				
032		267104-3	FLAT WASHER 12	1				
033		226895-5	INTERNAL GEAR 39	1				
034		213561-3	O RING 42	1				
035		211136-2	BALL BEARING 6801LLB	1				
036		256555-5	PIN 2	2				
037		459400-5	INTERNAL GEAR CASE	1				
038		620521-2	LED CIRCUIT	1				
039		266490-9	TAPPING SCREW PT 2X6	3				
040		620A29-2	CONTROLLER	1				
041		652069-6	FLAT HEAD SCREW M3X6	3				
042		629417-4	STATOR	1				
043		619572-0	ROTOR	1				
044		643850-6	TERMINAL	1				
045		855U31-8	DTDA070 SERIAL NO. LABEL	1				
046		183M41-0	HOUSING SET	1			D0997	

Interchange
O : Yes
X : No
< : the new part can be substituted for the current.
> : the current part can be substituted for the new.
S : Interchangeable as a set.

VN	VIETNAM
----	---------

DTDA070 / CORDLESS IMPACT DRIVER

Item	Sub	Parts No.	Parts Description	Qty	I/C	E/C No.	Close No.	Remark
	C10	263005-3	RUBBER PIN 6	2			D0997	
	C20	931002-4	HEX. NUT M3	7			D0997	
	D10		INC. 1				D0997	
046-1		183P02-8	HOUSING SET	1	<	D0997	D3038	
	C10	263005-3	RUBBER PIN 6	2		D0997	D3038	
	C20	931002-4	HEX. NUT M3	7		D0997	D3038	
	D10		INC. 1			D0997	D3038	
046-2		183M41-0	HOUSING SET	1	<	D3038		
	C10	263005-3	RUBBER PIN 6	2		D3038		
	C20	931002-4	HEX. NUT M3	7		D3038		
	D10		INC. 1			D3038		
047		140L10-8	SWITCH PLATE WHITE COMPLETE	1				
	C10	819J53-6	INDICATION LABEL WHITE	1				
048		459424-1	STOPPER	1				
049		251581-9	PAN HEAD SCREW M3X20	7				

Interchange
O : Yes
X : No
< : the new part can be substituted for the current.
> : the current part can be substituted for the new.
S : Interchangeable as a set.