



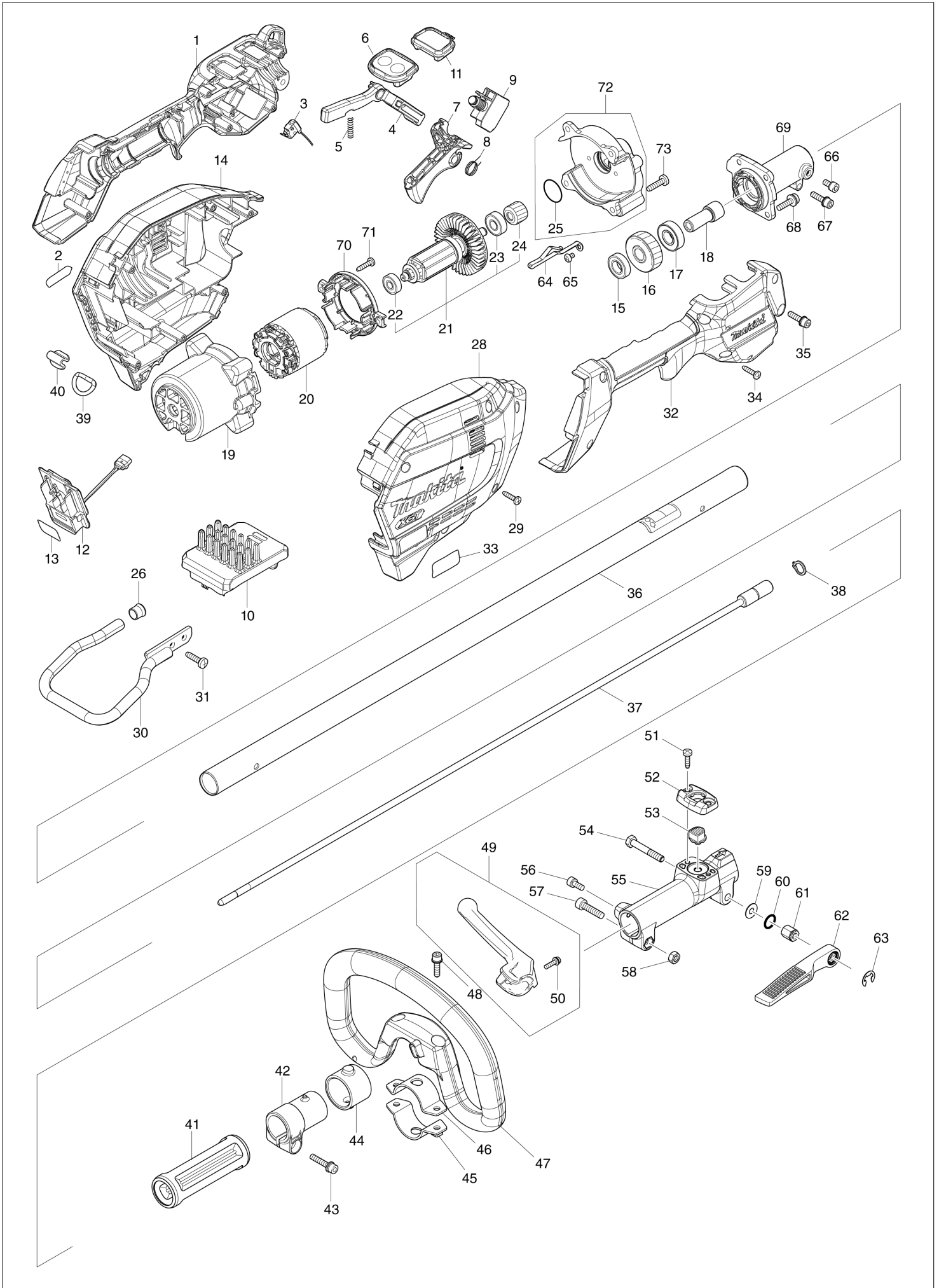
|    |         |
|----|---------|
| VN | VIETNAM |
|----|---------|

# Diagram / Parts List

**UX01G**

**CRDLSS MULTI FNCTN POWER HEAD**

# (VN) UX01G / CRDLSS MULTI FNCTN POWER HEAD



|           |                |
|-----------|----------------|
| <b>VN</b> | <b>VIETNAM</b> |
|-----------|----------------|

### UX01G / CRDLSS MULTI FNCTN POWER HEAD

| Item | Sub | Parts No. | Parts Description           | Qty | I/C | E/C No. | Close No. | Remark |
|------|-----|-----------|-----------------------------|-----|-----|---------|-----------|--------|
| 001  |     | 183N26-2  | GRIP SET                    | 1   |     |         |           |        |
|      | D10 |           | INC. 32                     |     |     |         |           |        |
| 002  |     | 8025F3-0  | XGT LOGO LABEL              | 1   |     |         |           |        |
| 004  |     | 459759-0  | LOCK OFF LEVER              | 1   |     |         |           |        |
| 005  |     | 233101-1  | COMPRESSION SPRING 4        | 1   |     |         |           |        |
| 006  |     | 140W64-1  | SWITCH CIRCUIT COMPLETE G   | 1   |     |         |           |        |
|      | C10 | 8025F0-6  | SWITCH LABEL                | 1   |     |         |           |        |
| 007  |     | 459758-2  | SWITCH LEVER                | 1   |     |         |           |        |
| 008  |     | 233622-3  | TORSION SPRING 12           | 1   |     |         |           |        |
| 009  |     | 651436-2  | SWITCH C3JW-1A-P-2          | 1   |     |         |           |        |
| 010  |     | 620D97-3  | CONTROLLER                  | 1   |     |         |           |        |
| 011  |     | 140W63-3  | INDICATION CIRCUIT COMPLETE | 1   |     |         |           |        |
| 012  |     | 632P49-4  | TERMINAL UNIT               | 1   |     |         |           |        |
| 013  |     | 8026A4-9  | UX01G SERIAL NO. LABEL      | 1   |     |         |           |        |
| 014  |     | 183R88-4  | HOUSING SET                 | 1   |     |         |           |        |
|      | C10 | 263005-3  | RUBBER PIN 6                | 2   |     |         |           |        |
|      | D10 |           | INC. 28                     |     |     |         |           |        |
| 015  |     | 211150-8  | BALL BEARING 6901ZZ         | 1   |     |         |           |        |
| 016  |     | 227848-7  | HELICAL GEAR 33             | 1   |     |         |           |        |
| 017  |     | 211131-2  | BALL BEARING 6001DDW        | 1   |     |         |           |        |
| 018  |     | 325811-5  | SPINDLE HUB                 | 1   |     |         |           |        |
| 019  |     | 412961-6  | MOTOR HOUSING               | 1   |     |         |           |        |
| 020  |     | 629A25-7  | STATOR                      | 1   |     |         |           |        |
| 021  |     | 519647-4  | ROTOR ASS'Y                 | 1   |     |         |           |        |
|      | D10 |           | INC. 22-24                  |     |     |         |           |        |
| 022  |     | 210062-2  | BALL BEARING 607ZZ          | 1   |     |         |           |        |
| 023  |     | 210005-4  | BALL BEARING 608DDW         | 1   |     |         |           |        |
| 024  |     | 227834-8  | HELICAL GEAR 16             | 1   |     |         |           |        |
| 025  |     | 213961-7  | O RING 22                   | 1   |     |         |           |        |
| 026  |     | 422230-7  | CAP                         | 1   |     |         |           |        |
| 028  |     | 183R88-4  | HOUSING SET                 | 1   |     |         |           |        |
|      | C10 | 263005-3  | RUBBER PIN 6                | 2   |     |         |           |        |
|      | D10 |           | INC. 14                     |     |     |         |           |        |
| 029  |     | 266326-2  | TAPPING SCREW 4X18          | 6   |     |         |           |        |
| 030  |     | 347752-5  | BATTERY GUARD               | 1   |     |         |           |        |
| 031  |     | 266420-0  | TAPPING SCREW 5X20          | 2   |     |         |           |        |
| 032  |     | 183N26-2  | GRIP SET                    | 1   |     |         |           |        |
|      | D10 |           | INC. 1                      |     |     |         |           |        |
| 033  |     | 8025Y8-3  | UX01G NAME PLATE            | 1   |     |         |           |        |
| 034  |     | 266326-2  | TAPPING SCREW 4X18          | 6   |     |         |           |        |
| 035  |     | 922233-6  | H.S.H.BOLT M5X20 WITH WR    | 1   |     |         |           |        |
| 036  |     | 140W68-3  | SHAFT PIPE B COMPLETE       | 1   |     |         |           |        |
|      | C10 | 8025E8-3  | CAUTION LABEL               | 1   |     |         |           |        |
| 037  |     | 141238-9  | SHAFT B COMPLETE            | 1   |     |         |           |        |
| 038  |     | 961052-5  | RETAINING RING S-12         | 1   |     |         |           |        |
| 039  |     | 327742-4  | D RING 20                   | 1   |     |         |           |        |
| 040  |     | 347783-4  | RING SUPPORT                | 1   |     |         |           |        |
| 041  |     | 451601-1  | SPACER 24                   | 1   |     |         |           |        |
| 042  |     | 457269-1  | PIPE HOLDER 24              | 1   |     |         |           |        |
| 043  |     | 922244-1  | H.S.H.BOLT M5X25 WITH WG    | 1   |     |         |           |        |
| 044  |     | 424942-8  | DAMPER                      | 1   |     |         |           |        |
| 045  |     | 347114-7  | LOWER CLAMP 35              | 1   |     |         |           |        |
| 046  |     | 347113-9  | UPPER CLAMP 35              | 1   |     |         |           |        |
| 047  |     | 457772-2  | LOOP HANDLE                 | 1   |     |         |           |        |
|      | C10 | 263005-3  | RUBBER PIN 6                | 1   |     |         |           |        |
| 048  |     | 922234-4  | H.S.H.BOLT M5X20 WITH WG    | 2   |     |         |           |        |
| 049  |     | 144315-6  | BARRIER COMPLETE            | 1   |     |         |           |        |
|      | D10 |           | INC. 50                     |     |     |         |           |        |
| 050  |     | 911128-8  | P.H.SCREW M4X16 WITH WR     | 1   |     |         |           |        |
| 051  |     | 266034-5  | TAPPING SCREW CT 4X16       | 2   |     |         |           |        |
| 052  |     | 452840-6  | RELEASE BUTTON COVER        | 1   |     |         |           |        |
| 053  |     | 452839-1  | RELEASE BUTTON              | 1   |     |         |           |        |
| 054  |     | 265596-0  | HEX.BOLT M6X40              | 1   |     |         |           |        |
| 055  |     | 318750-6  | JOINT 24                    | 1   |     |         |           |        |
| 056  |     | 922211-6  | H.S.H.BOLT M5X12 WITH W     | 1   |     |         |           |        |

Interchange  
O : Yes  
X : No  
< : the new part can be substituted for the current.  
> : the current part can be substituted for the new.  
S : Interchangeable as a set.

