



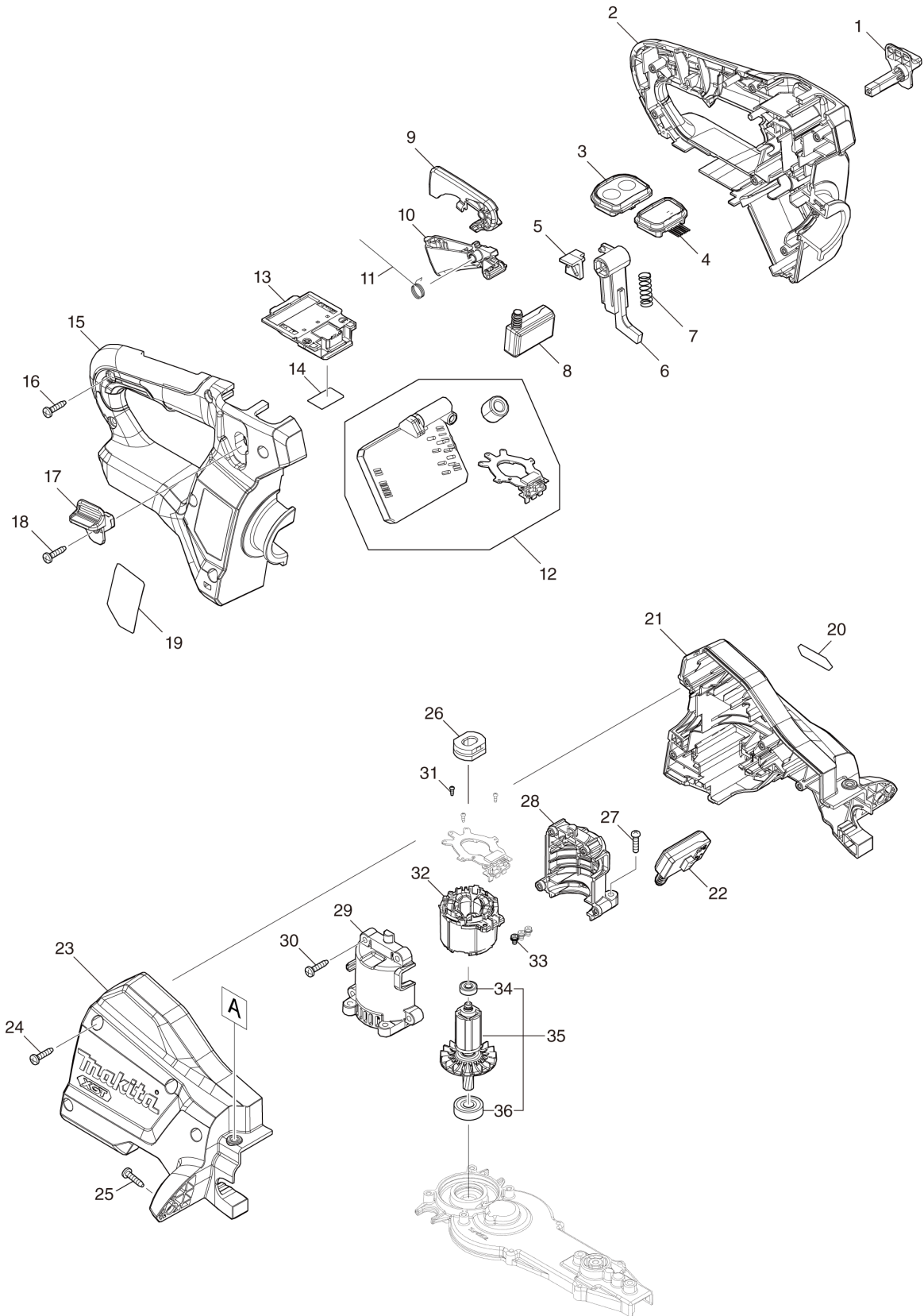
VN	VIETNAM
----	---------

# Diagram / Parts List

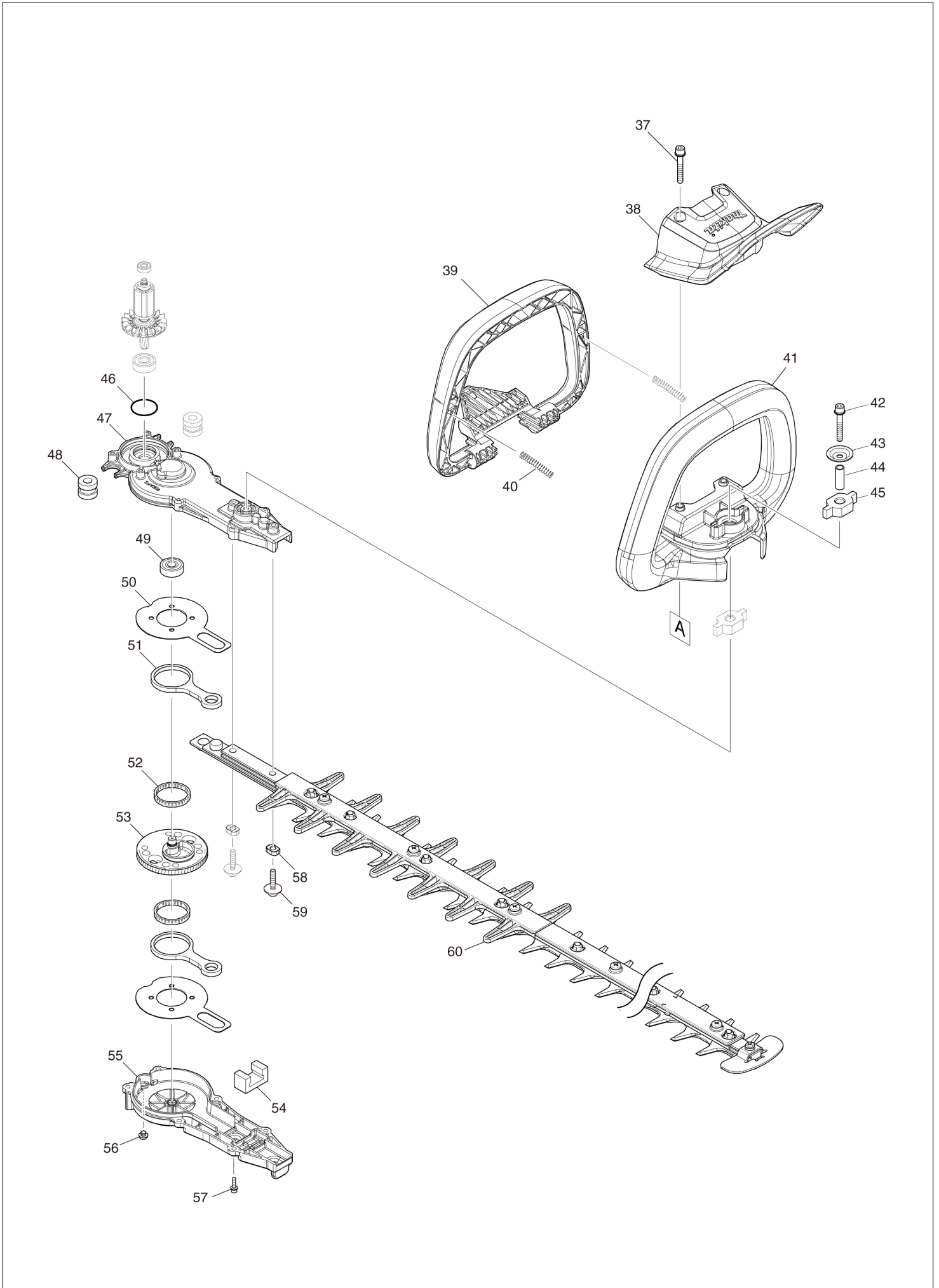
**UH009G**

**750MM CORDLESS HEDGE TRIMMER**

(VN) UH009G / 750MM CORDLESS HEDGE TRIMMER



(VN) UH009G / 750MM CORDLESS HEDGE TRIMMER



<b>VN</b>	<b>VIETNAM</b>
-----------	----------------

### UH009G / 750MM CORDLESS HEDGE TRIMMER

Item	Sub	Parts No.	Parts Description	Qty	I/C	E/C No.	Close No.	Remark
001		458406-0	LOCK LEVER L	1				
002		183T66-6	HANDLE SET	1				
	C10	263005-3	RUBBER PIN 6	2				
	C20	8034N8-3	CAUTION LABEL	1				
	D10		INC. 15					
003		141D66-6	SWITCH CIRCUIT COMPLETE E	1				
	C10	8034K3-2	SWITCH LABEL	1				
004		140W63-3	INDICATION CIRCUIT COMPLETE	1				
005		458570-7	SLIDER	1				
006		458405-2	LOCK ARM	1				
007		234204-4	COMPRESSION SPRING 8	1				
008		651083-9	SWITCH C3XA-1PSPM	1				
009		458403-6	LOCK OFF LEVER	1				
010		413792-6	SWITCH LEVER R	1				
011		232454-5	TORSION SPRING 10	1				
012		620E88-0	CONTROLLER	1				
	C10	688163-8	LINE FILTER	1				
	C20	688164-6	LINE FILTER	1				
013		632P64-8	TERMINAL UNIT	1				
014		811J67-1	UH009G SERIAL NO. LABEL	1				
015		183T66-6	HANDLE SET	1				
	C10	263005-3	RUBBER PIN 6	2				
	C20	8034N8-3	CAUTION LABEL	1				
	D10		INC. 2					
016		266326-2	TAPPING SCREW 4X18	6				
017		458407-8	LOCK LEVER R	1				
018		266326-2	TAPPING SCREW 4X18	1				
019		811J63-9	UH009G NAME PLATE	1				
020		8025F3-0	XGT LOGO LABEL	1				
021		183S95-3	HOUSING SET	1				
	C10	424344-8	DAMPER	4				
	D10		INC. 23					
022		651083-9	SWITCH C3XA-1PSPM	1				
023		183S95-3	HOUSING SET	1				
	C10	424344-8	DAMPER	4				
	D10		INC. 21					
024		266326-2	TAPPING SCREW 4X18	4				
025		266326-2	TAPPING SCREW 4X18	2				
026		422261-6	RUBBER SLEEVE	1				
027		911128-8	P.H.SCREW M4X16 WITH WR	4				
028		183S94-5	MOTOR HOUSING SET	1				
	D10		INC. 29					
029		183S94-5	MOTOR HOUSING SET	1				
	D10		INC. 28					
030		266326-2	TAPPING SCREW 4X18	4				
031		266490-9	TAPPING SCREW PT 2X6	3				
032		629A75-2	STATOR	1				
033		652069-6	FLAT HEAD SCREW M3X6	3				
034		211157-4	BALL BEARING 695ZZ	1				
035		519694-5	ROTOR ASSY	1				
	D10		INC. 34,36					
036		210005-4	BALL BEARING 608DDW	1				
037		265182-7	+ PAN HEAD SCREW M5X25	2				
038		458399-1	PROTECTOR	1				
039		458402-8	SWITCH LEVER F	1				
040		233222-9	COMPRESSION SPRING 5	2				
041		413791-8	FRONT GRIP E	1				
042		251476-6	H.S.H.BOLT M5X35 WITH WR	1				
043		253416-0	DISH WASHER 5	1				
044		257678-2	SLEEVE 6	1				
045		422260-8	RUBBER SLEEVE 8	2				
046		213961-7	O RING 22	1				
047		141C41-6	GEAR HOUSING COMPLETE	1				
	C10	263002-9	RUBBER PIN 4	1				
	C20	424344-8	DAMPER	1				

Interchange  
O : Yes  
X : No  
< : the new part can be substituted for the current.  
> : the current part can be substituted for the new.  
S : Interchangeable as a set.

**VN VIETNAM**

**UH009G / 750MM CORDLESS HEDGE TRIMMER**

Item	Sub	Parts No.	Parts Description	Qty	I/C	E/C No.	Close No.	Remark
048		422725-0	RUBBER SLEEVE 8	2				
049		211032-4	BALL BEARING 608ZZ	1				
050		347361-0	FRICTION PLATE	2				
051		347662-6	CONNECTING ROD	2				
052		212229-8	NEEDLE CAGE 315	2				
053		141C40-8	GEAR COMPLETE	1				
054		443159-4	SEAL	1				
055		141C46-6	GEAR HOUSING COVER COMPLETE	1			DC103	
055-1		141H42-4	GEAR HOUSING COVER COMPLETE	1	O	DC103		
056		266559-9	H.S.BUTTON HEAD BOLT M6X4	1				
057		922128-3	HEX. SOCKET HEAD BOLT M4X16	6				
058		257439-0	SLEEVE 5	2				
059		265A89-3	H.S.H.BOLT M5X25 WITH WR	2				
060		191R58-9	SHEAR BLADE 750 S SET	1				
	C10	199450-5	GREASE VESSEL SET	1				
	C20	412908-0	GUARD E	1				
	C30	458629-0	SPACER 750	1				
	C40	915211-3	BINDING HEAD SCREW M5X12	6				
	D10		INC, 58					
A01		459122-7	BLADE COVER 750S	1				
A02		195246-2	SAFETY GOGGLE	1				
A03		191R52-1	CHIP RECEIVER 750 E SET	1				

Interchange  
O : Yes  
X : No  
< : the new part can be substituted for the current.  
> : the current part can be substituted for the new.  
S : interchangeable as a set.