



| | |
|----|---------|
| VN | VIETNAM |
|----|---------|

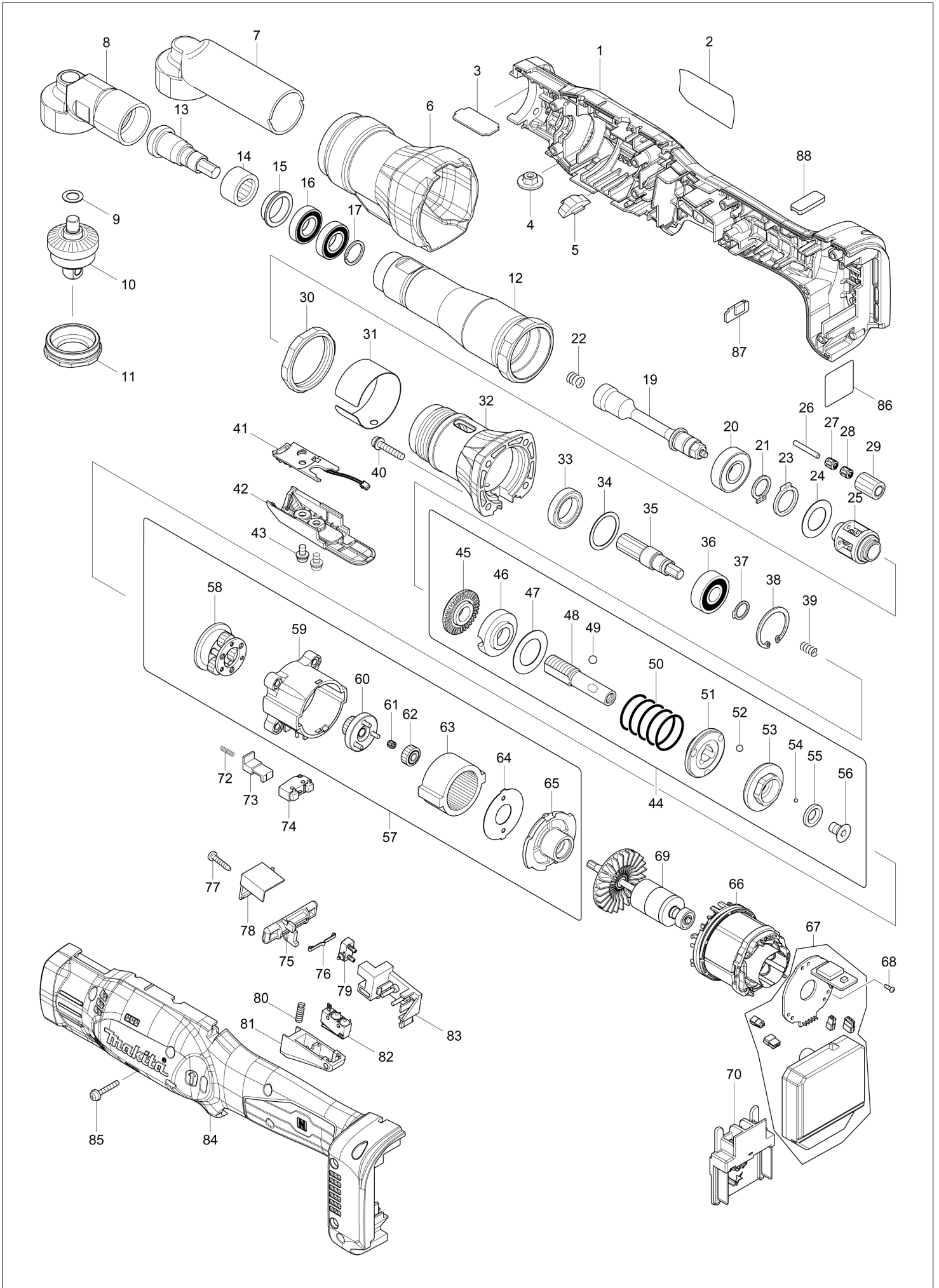
Diagram / Parts List

DFL651F

CORDLESS ANGLE SCREWDRIVER



(VN) DFL651F / CORDLESS ANGLE SCREWDRIVER



| | |
|-----------|----------------|
| VN | VIETNAM |
|-----------|----------------|

DFL651F / CORDLESS ANGLE SCREWDRIVER

| Item | Sub | Parts No. | Parts Description | Qty | I/C | E/C No. | Close No. | Remark |
|-------|-----|-----------|--------------------------------|-----|-----|---------|-----------|--------|
| 001 | | 183C90-7 | HOUSING SET | 1 | | | | |
| | C10 | 263005-3 | RUBBER PIN 6 | 2 | | | | |
| | D10 | | INC. 84 | | | | | |
| 002 | | 851R21-1 | DFL651F NAME PLATE | 1 | | | | |
| 003 | | 346862-5 | PLATE L | 1 | | | | |
| 004 | | 252142-8 | HEX.NUT FLANGE M5 | 1 | | | | |
| 005 | | 455767-9 | LENS | 1 | | | B9744 | |
| 005-1 | | 458391-7 | LENS | 1 | < | B9744 | | |
| 006 | | 455773-4 | PROTECTOR G | 1 | | | | |
| 007 | | 455771-8 | PROTECTOR E | 1 | | | | |
| 008 | | 143716-5 | ANGLE HEAD COMPLETE | 1 | | | C7605 | |
| 008-1 | | 143716-5 | ANGLE HEAD COMPLETE | 1 | O | C7605 | | |
| 009 | | 253777-8 | FLAT WASHER 8 | 1 | | | | |
| 010 | | 143714-9 | SPINDLE A COMPLETE | 1 | | | | |
| 011 | | 285739-8 | BEARING RETAINER 20-34 | 1 | | | | |
| 012 | | 143717-3 | INTERNAL GEAR HOUSING COMPLETE | 1 | | | | |
| | C10 | 455772-6 | PROTECTOR F | 1 | | | | |
| 013 | | 221443-5 | SPIRAL BEVEL GEAR 9 | 1 | | | | |
| 014 | | 212222-2 | NEEDLE BEARING 1612 | 1 | | | | |
| 015 | | 326709-9 | SPACER | 1 | | | | |
| 016 | | 211288-9 | BALL BEARING 6901DDW | 2 | | | | |
| 017 | | 961082-6 | RETAINING RING WR12 | 1 | | | | |
| 019 | | 326708-1 | SHAFT | 1 | | | | |
| 020 | | 211131-2 | BALL BEARING 6001DDW | 1 | | | | |
| 021 | | 961072-9 | RETAINING RING S-12 | 1 | | | | |
| 022 | | 234392-7 | COMPRESSION SPRING 6 | 1 | | | | |
| 023 | | 961056-7 | RETAINING RING S-16 | 1 | | | | |
| 024 | | 253749-3 | FLAT WASHER 16 | 1 | | | | |
| 025 | | 326491-0 | CARRIER | 1 | | | | |
| 026 | | 256221-4 | PIN 3 | 4 | | | | |
| 027 | | 212131-5 | NEEDLE CAGE 307 | 4 | | | | |
| 028 | | 212131-5 | NEEDLE CAGE 307 | 4 | | | | |
| 029 | | 227364-9 | SPUR GEAR 14 | 4 | | | | |
| 030 | | 252187-6 | HEX. NUT M36-41 | 1 | | | | |
| 031 | | 346863-3 | RING 38R | 1 | | | | |
| 032 | | 317808-8 | CLUTCH CASE | 1 | | | | |
| 033 | | 211283-9 | BALL BEARING 6803ZZ | 1 | | | | |
| 034 | | 267283-7 | FLAT WASHER 21 | 1 | | | | |
| 035 | | 227365-7 | SPUR GEAR 13 | 1 | | | | |
| 036 | | 211088-7 | BALL BEARING 6000DDW | 1 | | | | |
| 037 | | 961026-6 | RETAINING RING S-10 | 1 | | | | |
| 038 | | 962105-3 | RETAINING RING R-26 | 1 | | | | |
| 039 | | 233019-6 | COMPRESSION SPRING 5 | 1 | | | | |
| 040 | | 265145-3 | + PAN HEAD SCREW M4X22 | 4 | | | | |
| 041 | | 620396-9 | LED CIRCUIT | 1 | | | | |
| 042 | | 455765-3 | SWITCH COVER | 1 | | | B7314 | |
| 042-1 | | 457976-6 | SWITCH COVER | 1 | < | B7314 | | |
| 043 | | 265171-2 | PAN HEAD SCREW M4X8 | 2 | | | | |
| 044 | | 125392-7 | CLUTCH ASS'Y E | 1 | | | B9348 | |
| | D10 | | INC. 45-56 | | | | B9348 | |
| 044-1 | | 125392-7 | CLUTCH ASS'Y E | 1 | O | B9348 | | |
| | D10 | | INC. 45-56 | | | B9348 | | |
| 045 | | 324834-0 | LOCK NUT M12 | 1 | | | | |
| 046 | | 158408-3 | ADJUST RING COMPLETE | 1 | | | | |
| 047 | | 267276-4 | FLAT WASHER 18 | 1 | | | | |
| 048 | | 324296-2 | SPINDLE | 1 | | | | |
| 049 | | 216018-3 | STEEL BALL 5.0 | 3 | | | | |
| 050 | | 233385-1 | COMPRESSION SPRING 19D | 1 | | | | |
| 051 | | 223146-7 | CAM D | 1 | | | | |
| 052 | | 216024-8 | STEEL BALL 4 | 3 | | | | |
| 053 | | 223139-4 | CAM A | 1 | | | | |
| 054 | | 216019-1 | STEEL BALL 3 | 1 | | | | |
| 055 | | 267247-1 | FLAT WASHER 7 | 1 | | | | |
| 056 | | 266305-0 | TORX C.S HEAD SCREW M5X10 | 1 | | | | |
| 057 | | 123294-1 | GEAR ASSEMBLY F | 1 | | | D0691 | |

Interchange
O : Yes
X : No
< : the new part can be substituted for the current.
> : the current part can be substituted for the new.
S : Interchangeable as a set.

| | |
|-----------|----------------|
| VN | VIETNAM |
|-----------|----------------|

DFL651F / CORDLESS ANGLE SCREWDRIVER

| Item | Sub | Parts No. | Parts Description | Qty | I/C | E/C No. | Close No. | Remark |
|-------|-----|-----------|----------------------------|-----|-----|---------|-----------|--------|
| | D10 | | INC. 58-65 | | | | D0691 | |
| 057-1 | | 127580-2 | GEAR ASSEMBLY F | 1 | < | D0691 | DB550 | |
| | C10 | 211375-4 | BALL BEARING 6805LLB | 1 | S | D0691 | DB550 | |
| | C20 | 227050-2 | SPUR GEAR 13 | 5 | S | D0691 | DB550 | |
| | D10 | | INC. 58-65 | | | D0691 | DB550 | |
| 057-2 | | 127580-2 | GEAR ASSEMBLY F | 1 | O | DB550 | | |
| | C10 | 211375-4 | BALL BEARING 6805LLB | 1 | S | DB550 | | |
| | C20 | 227050-2 | SPUR GEAR 13 | 5 | S | DB550 | | |
| | D10 | | INC. 58-65 | | | DB550 | | |
| 058 | | 143137-1 | CARRIER COMPLETE | 1 | | | D0691 | |
| 058-1 | | 140T45-7 | CARRIER COMPLETE | 1 | S | D0691 | | |
| 059 | | 418004-2 | GEAR CASE | 1 | | | DB550 | |
| 059-1 | | 418004-2 | GEAR CASE | 1 | O | DB550 | | |
| 060 | | 143052-9 | SPUR GEAR 20 COMPLETE | 1 | | | D0691 | |
| 060-1 | | 140T46-5 | SPUR GEAR 20 COMPLETE | 1 | S | D0691 | | |
| 061 | | 212132-3 | NEEDLE CAGE 205 | 3 | | | C4321 | |
| 061-1 | | 212194-1 | NEEDLE CAGE 205 | 3 | < | C4321 | | |
| 062 | | 227366-5 | SPUR GEAR 18 | 3 | | | | |
| 063 | | 227048-9 | INTERNAL GEAR 47 | 1 | | | | |
| 064 | | 267774-8 | LOCK WASHER | 1 | | | | |
| 065 | | 418003-4 | MOTOR BRACKET | 1 | | | | |
| 066 | | 629151-6 | STATOR 18V | 1 | | | | |
| 067 | | 620493-1 | CONTROLLER | 1 | | | C1940 | |
| 067-1 | | 620854-5 | CONTROLLER | 1 | < | C1940 | | |
| 068 | | 266490-9 | TAPPING SCREW PT 2X6 | 3 | | | | |
| 069 | | 619364-7 | ROTOR | 1 | | | | |
| 070 | | 643860-3 | TERMINAL | 1 | | | | |
| 072 | | 234361-8 | COMPRESSION SPRING 2 | 1 | | | | |
| 073 | | 418002-6 | SWITCH LEVER | 1 | | | | |
| 074 | | 632E35-9 | SWITCH UNIT | 1 | | | DB735 | |
| 074-1 | | 632T57-9 | SWITCH UNIT | 1 | O | DB735 | | |
| 075 | | 455766-1 | F/R CHANGE LEVER | 1 | | | | |
| 076 | | 232201-4 | LEAF SPRING | 1 | | | | |
| 077 | | 266130-9 | TAPPING SCREW BIND PT 3X16 | 1 | | | | |
| 078 | | 418204-4 | COVER | 1 | | | | |
| 079 | | 638276-5 | SWITCH UNIT | 1 | | | DB735 | |
| 079-1 | | 632T56-1 | SWITCH UNIT | 1 | O | DB735 | | |
| 080 | | 231397-8 | COMPRESSION SPRING 4 | 1 | | | | |
| 081 | | 418203-6 | SWITCH LEVER A | 1 | | | | |
| 082 | | 638275-7 | SWITCH UNIT | 1 | | | DB735 | |
| 082-1 | | 632T55-3 | SWITCH UNIT | 1 | O | DB735 | | |
| 083 | | 418202-8 | SWITCH BASE | 1 | | | | |
| 084 | | 183C90-7 | HOUSING SET | 1 | | | | |
| | C10 | 263005-3 | RUBBER PIN 6 | 2 | | | | |
| | D10 | | INC. 1 | | | | | |
| 085 | | 265095-2 | PAN HEAD SCREW M3X20 | 8 | | | | |
| 086 | | 851R24-5 | DFL651F SERIAL NO. LABEL | 1 | | | | |
| 087 | | 620494-9 | USB CIRCUIT | 1 | | | | |
| 088 | | 424827-8 | USB COVER | 1 | | | | |
| A01 | | 661432-2 | USB CABLE | 1 | | | C8064 | |

Interchange
 O : Yes
 X : No
 < : the new part can be substituted for the current.
 > : the current part can be substituted for the new.
 S : Interchangeable as a set.