



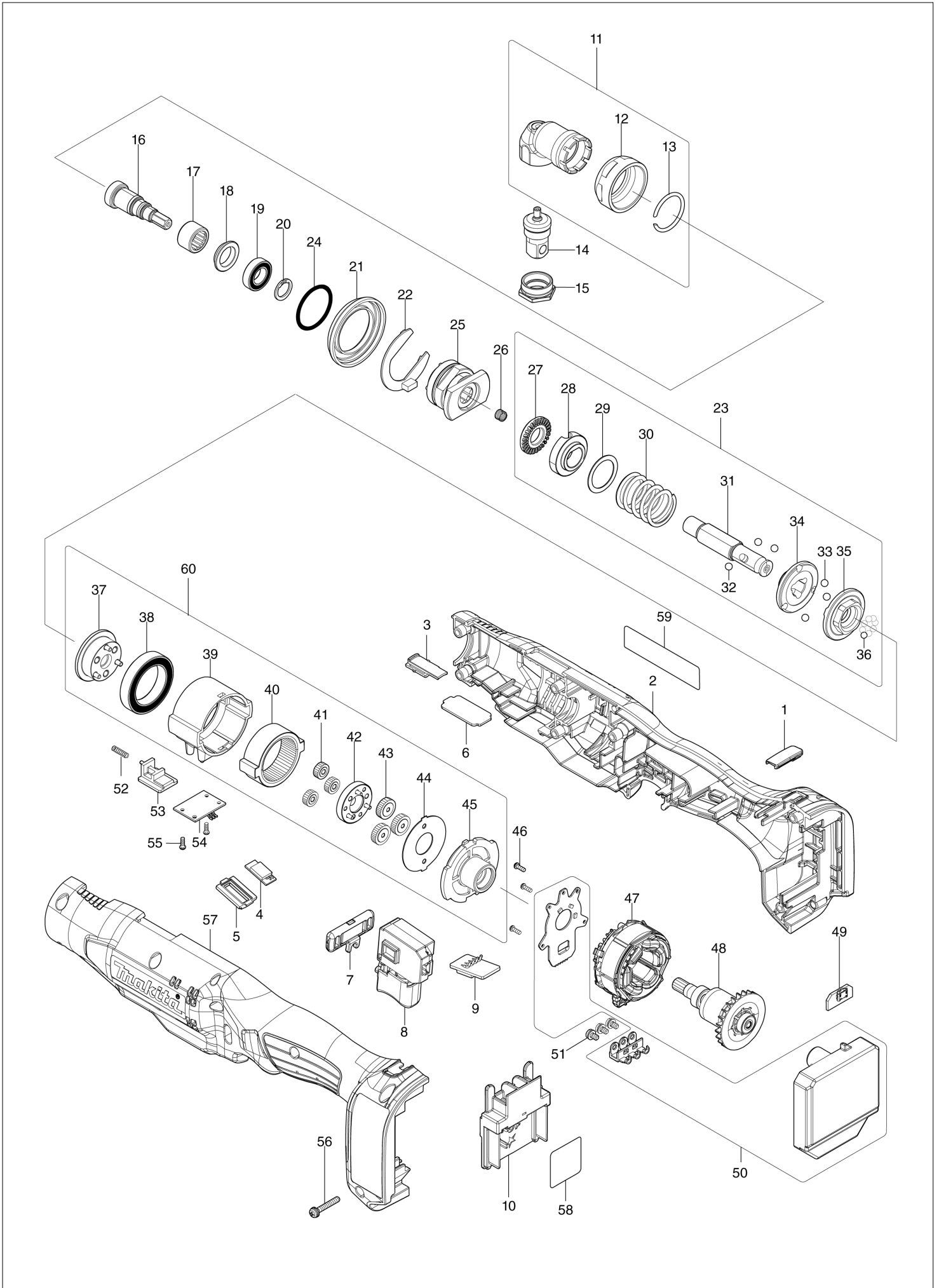
VN	VIETNAM
----	---------

# Diagram / Parts List

**DFL020F**

**CORDLESS ANGLE SCREWDRIVER**

(VN) DFL020F / CORDLESS ANGLE SCREWDRIVER



<b>VN</b>	<b>VIETNAM</b>
-----------	----------------

### DFL020F / CORDLESS ANGLE SCREWDRIVER

Item	Sub	Parts No.	Parts Description	Qty	I/C	E/C No.	Close No.	Remark
001		424827-8	USB COVER	1				
002		183L93-5	HOUSING SET	1				
	C10	263005-3	RUBBER PIN 6	2				
	C20	931002-4	HEX. NUT M3	8				
	D10		INC. 57					
003		457526-7	CHANGE PLATE	1				
004		620B13-3	LED CIRCUIT	1				
005		459491-6	LENS	1				
006		345647-6	PLATE L	1				
007		459492-4	F/R CHANGE LEVER	1				
008		651082-1	SWITCH C3JW-1B-S	1				
009		620621-8	BUZZER CIRCUIT	1				
010		643860-3	TERMINAL	1				
011		127321-6	ANGLE HEAD ASSEMBLY	1				
	D10		INC. 12,13					
012		327370-5	LOCK NUT	1				
013		233924-7	RING SPRING 21	1				
014		140L66-1	SPINDLE A COMPLETE	1				
015		285035-4	BEARING RETAINER 13-18	1				
016		226902-4	SPIRAL BEVEL GEAR 15A	1				
017		212123-4	NEEDLE BEARING 1210	1				
018		327371-3	SPACER	1				
019		210076-1	BALL BEARING 6800LLB	1				
020		961026-6	RETAINING RING S-10	1				
021		459490-8	LED LENS	1				
022		620B14-1	INDICATION CIRCUIT	1				
023		127320-8	CLUTCH ASSEMBLY U	1				
	D10		INC. 27-36					
024		213987-9	O-RING 25	1				
025		140L67-9	BEARING BOX COMPLETE	1				
026		233019-6	COMPRESSION SPRING 5	1				
027		326953-8	LOCK NUT M12	1				
028		144421-7	ADJUST RING COMPLETE	1				
029		253391-0	FLAT WASHER 18	1				
030		232602-6	COMPRESSION SPRING 18F	1				
031		327367-4	SPINDLE	1				
032		216024-8	STEEL BALL 4	3				
033		216024-8	STEEL BALL 4	3				
034		223185-7	CAM A	1				
035		223186-5	CAM B	1				
036		216001-0	STEEL BALL 3.5	8				
037		144424-1	CARRIER COMPLETE B	1				
038		211375-4	BALL BEARING 6805LLB	1				
039		459489-3	GEAR CASE	1				
040		221546-5	INTERNAL GEAR 47	1				
041		221543-1	SPUR GEAR 13	3				
042		144422-5	SPUR GEAR 20 COMPLETE	1				
043		221544-9	SPUR GEAR 18	3				
044		267774-8	LOCK WASHER	1				
045		418003-4	MOTOR BRACKET	1				
046		266490-9	TAPPING SCREW PT 2X6	3				
047		629261-9	STATOR	1			D5381	
047-1		629A21-5	STATOR	1	S	D5381		
048		619440-7	ROTOR	1				
049		620B15-9	USB CIRCUIT	1				
050		620B11-7	CONTROLLER	1			D5381	
050-1		620F02-2	CONTROLLER	1	S	D5381		
051		652069-6	FLAT HEAD SCREW M3X6	3				
052		233025-1	COMPRESSION SPRING 2	1				
053		140L65-3	SWITCH LEVER COMPLETE	1				
054		620B16-7	SENSOR CIRCUIT	1				
055		266490-9	TAPPING SCREW PT 2X6	2				
056		251581-9	PAN HEAD SCREW M3X20	8				
057		183L93-5	HOUSING SET	1				
	C10	263005-3	RUBBER PIN 6	2				

Interchange  
O : Yes  
X : No  
< : the new part can be substituted for the current.  
> : the current part can be substituted for the new.  
S : Interchangeable as a set.

