



VN	VIETNAM
----	---------

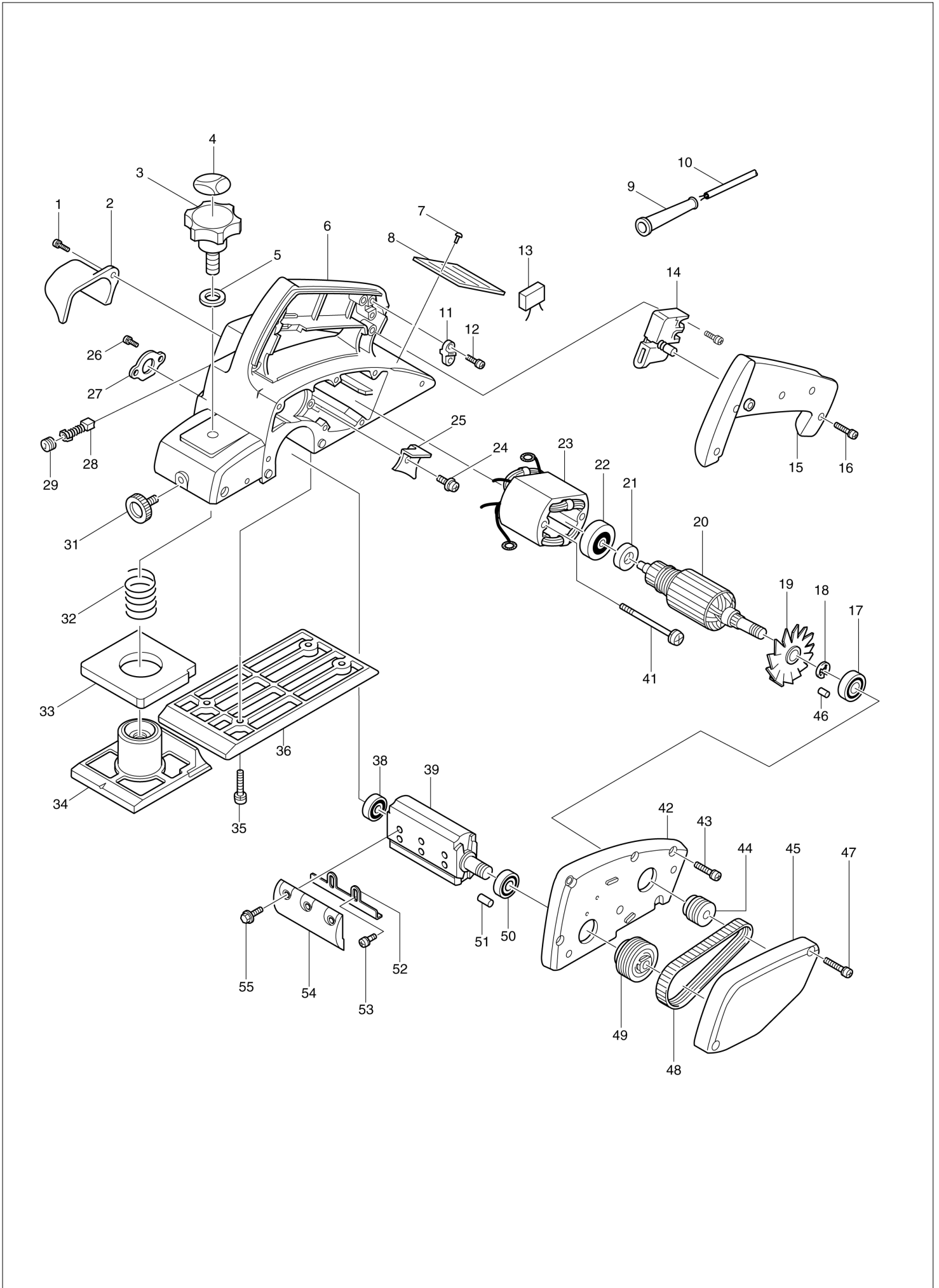
Diagram / Parts List

N1900B

POWER PLANER 82MM



(VN) N1900B / POWER PLANER 82MM



VN	VIETNAM
-----------	----------------

N1900B / POWER PLANER 82MM

Item	Sub	Parts No.	Parts Description	Qty	I/C	E/C No.	Close No.	Remark
001		911128-8	P.H.SCREW M4X16 WITH WR	1				
002		411650-0	CHIP COVER	1				
003		271231-0	KNOB 46	1				
004		812004-8	SCALE LABEL	1				
005-1		253796-4	FLAT WASHER 10	1			65936	
005-2		941251-5	FLAT WASHER 10	1	X	65936		
006-2		159351-9	MAIN FRAME	1				
	C10	643556-6	BRUSH HOLDER 5-8	2				
	D10		INC. 37,40					
006-3		159681-8	MAIN FRAME	1	X	46206		
	C10	643556-6	BRUSH HOLDER 5-8	2				
008		811554-0	NAME PLATE 1900B	1			Z38874	
008-1		854Y46-6	N1900B NAME PLATE	1	<	Z38874		
009		682504-0	CORD GUARD 10-85	1				
010Q1		691015-4	POWER SUPPLY CORD 0.75-2-2.5	1				
011-1		687053-2	STRAIN RELIEF	1			Z38874	
011-2		687140-7	STRAIN RELIEF	1	O	Z38874		
012-3		911133-5	PAN HEAD SCREW M4X18	2				
014		651204-3	SWITCH SGEL115CDY	1				
015		411170-4	HANDLE COVER	1				
016		911148-2	PAN HEAD SCREW M4X25	4				
017		211061-7	BALL BEARING 6000LLB	1				
018		961015-1	STOP RING E-9	1				
019-2		241510-0	FAN 52	1				
020C2		511938-9	ARMATURE ASS'Y 220V	1				220V
	D10		INC. 17-19,21,22					
021		681614-0	INSULATION WASHER	1				
022		211028-5	BALL BEARING 627LB	1				
023C		593118-9	FIELD ASS'Y 220V	1				220V
	C10	654018-9	RING TERMINAL	2				
	C20	654501-6	CONNECTOR P-1.25	2				
024		911128-8	P.H.SCREW M4X16 WITH WR	1				
025		411153-4	AUXILIARY BAFFLE PLATE	1				
026		911111-5	PAN HEAD SCREW M4X10 WITH W	2				
027		285012-6	BEARING COVER 30	1				
028C		181021-2	CARBON BRUSH CB-51	1			85070	
028C1		B-80232	CARBON BRUSH SET CB-51A	1	<	85070		
029		643550-8	BRUSH HOLDER CAP 5-8	2				
031		251812-6	SCREW M5X10	1				
032		231004-3	COMPRESSION SPRING 18	1				
033		421007-7	RUBBER PACKING	1				
034		312566-1	FRONT BASE	1				
034-1		316587-5	FRONT BASE	1	X	46206	74791	
034-2		318040-7	FRONT BASE	1	O	74791	Z38874	
034-3		318008-3	FRONT BASE	1	O	Z38874		
035-1		911226-8	PAN HEAD SCREW M5X18	4				
036		312023-9	BASE	1			74791	
036-1		318039-2	BASE	1	O	74791	Z38874	
036-2		312023-9	BASE	1	O	Z38874		
038		211032-4	BALL BEARING 608ZZ	1			D0926	
038-1		210223-4	BALL BEARING 608ZZ	1	O	D0926		
039		161061-6	DRUM	1				
041-4		911586-8	PAN HEAD SCREW M4X60	2				
042		152196-4	BRACKET COMPLETE	1				
	D10		INC. 46,51					
043		911136-9	PAN HEAD SCREW M4X20	6				
044		222008-6	V-PULLEY 4-20L	1				
044-1		222125-2	V-PULLEY 4-20L	1	O	46868		
045		411019-8	BELT COVER	1				
046		263002-9	RUBBER PIN 4	1				
047		911148-2	PAN HEAD SCREW M4X25	2				
048		225007-7	POLY V-BELT 4-241	1				
049		222009-4	V-PULLEY 4-37	1				
049-1		222126-0	V-PULLEY 4-37	1	O	46868		
050		211062-5	BALL BEARING 6000ZZ	1				

Interchange
O : Yes
X : No
< : the new part can be substituted for the current.
> : the current part can be substituted for the new.
S : Interchangeable as a set.

