



VN	VIETNAM
----	---------

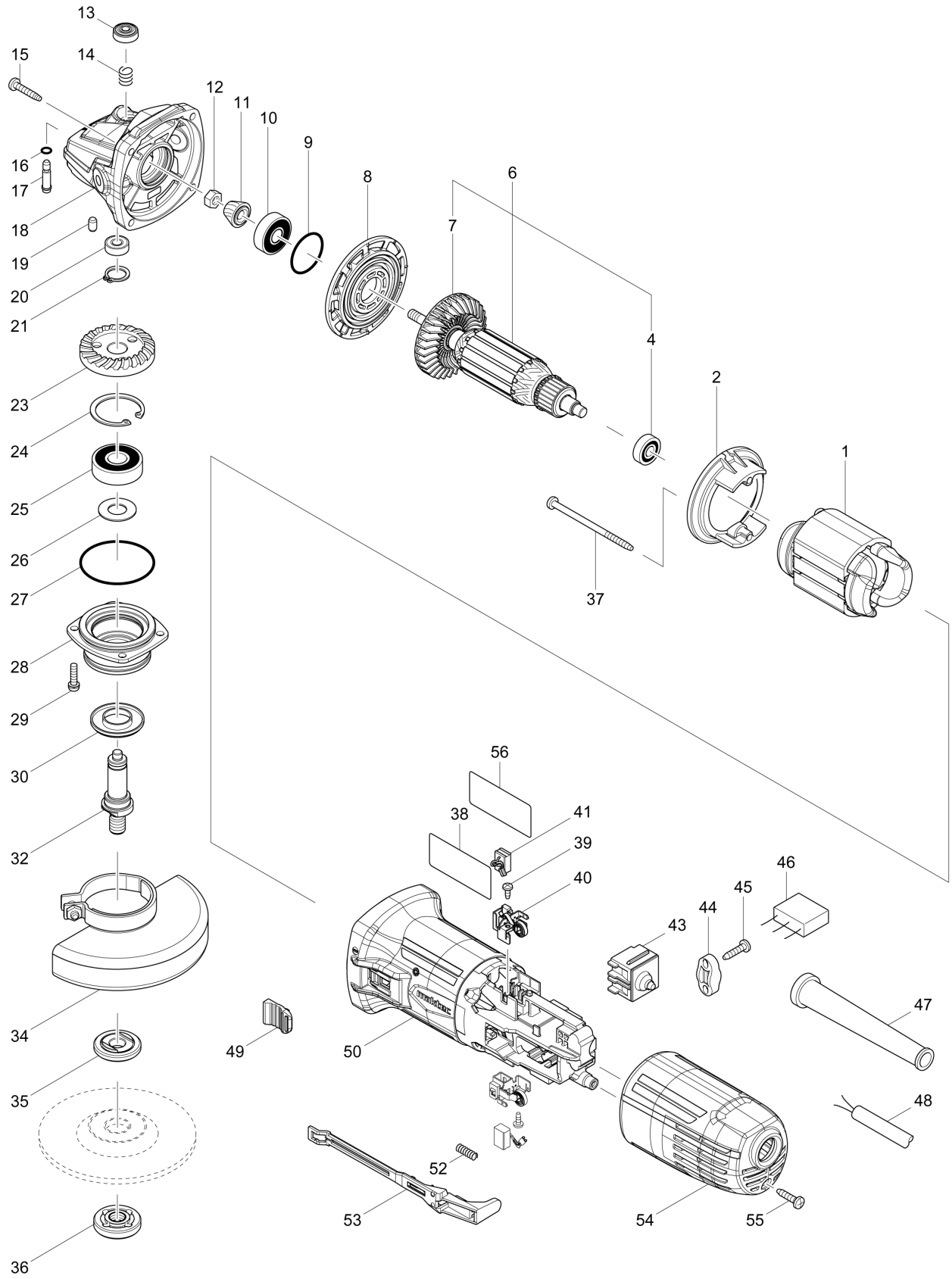
Diagram / Parts List

MT964

100MM ANGLE GRINDER



(VN) MT964 / 100MM ANGLE GRINDER



VN	VIETNAM
-----------	----------------

MT964 / 100MM ANGLE GRINDER

Item	Sub	Parts No.	Parts Description	Qty	I/C	E/C No.	Close No.	Remark
001		621818-2	FIELD 220-240V	1				
002		457130-2	BAFFLE PLATE	1				
004		210169-4	BALL BEARING 607LLB	1				
006		513953-9	ARMATURE ASS'Y 220-240V	1			D1373	
	D10		INC. 4,7				D1373	
006-1		515553-1	ARMATURE ASS'Y 220-240V	1	O	D1373		
	D10		INC. 4,7			D1373		
007		240076-7	FAN 56	1				
008		457122-1	BEARING RETAINER	1				
009		213407-3	O RING 26	1			Z38045	
009-1		213445-5	O-RING 26	1	O	Z38045		
010		210084-2	BALL BEARING 629ZZ	1				
011		221475-2	SPIRAL BEVEL GEAR 10	1				
012		252186-8	HEX. NUT M6	1				
013		419589-1	CAP	1				
014		233376-2	COMPRESSION SPRING 8	1				
015		266324-6	TAPPING SCREW 4X22	4			Z38045	
015-1		265651-8	TAPPING SCREW 4X22	4	O	Z38045		
016		213960-9	O RING 5	1				
017		268228-8	SHOULDER PIN 5	1				
018		319487-8	GEAR HOUSING	1				
019		263002-9	RUBBER PIN 4	1				
020		210033-9	BALL BEARING 696ZZ	1				
021		961052-5	RETAINING RING S-12	1				
023		221476-0	SPIRAL BEVEL GEAR 37	1				
024		257978-0	RETAINING RING(INT)R-32	1				
025		211345-3	BALL BEARING 6201DDW	1				
026		267238-2	FLAT WASHER 12	1				
027		213622-9	O RING 45	1				
028		123847-6	BEARING BOX ASSEMBLY	1				
	D10		INC. 27					
029		265100-5	PAN HEAD SCREW M4X16	4				
030		345464-4	LABYRINTH RING	1				
032		326828-1	SPINDLE	1				
034		126477-2	WHEEL COVER 100M ASSEMBLY	1				
	C10	911227-6	PAN HEAD SCREW M5X18	1		B8926		
035		224470-1	INNER FRANGE 30	1			C7004	
035-1		224491-3	INNER FLANGE 29	1	S	C7004		
036		224585-4	LOCK NUT 10-30	1			C7004	
036-1		224493-9	LOCK NUT 10-29	1	S	C7004		
037		266325-4	TAPPING SCREW 4X70	2			Z38045	
037-1		265657-6	TAPPING SCREW 4X70	2	O	Z38045		
038		852S92-7	MT964 NAME PLATE	1				
039		266492-5	TAPPING SCREW 3X8	2			Y07748	
039-1		265954-0	TAPPING SCREW BIND PT3X8	2	O	Y07748	C2918	
039-2		265683-5	TAPPING SCREW BIND PT 3X8	2	O	C2918		
040		643716-0	BRUSH HOLDER	2				
041		195026-6	CARBON BRUSH SET CB-459	1				
043		651947-7	SWITCH 1247.0302	1			Z38045	
043-1		650621-4	SWITCH PS10	1	O	Z38045		
044		687124-5	STRAIN RELIEF	1				
045		266326-2	TAPPING SCREW 4X18	2			Z38045	
045-1		265652-6	TAPPING SCREW 4X18	2	O	Z38045		
047		682583-8	CORD GUARD	1				
048		691284-7	POWER SUPPLY CORD 0.75-2-2.0	1				
049		418016-5	SWITCH KNOB	1				
050		457128-9	MOTOR HOUSING	1				
052		233121-5	COMPRESSION SPRING 4	1				
053		457129-7	SWITCH LEVER	1				
054		457123-9	REAR COVER	1				
055		266326-2	TAPPING SCREW 4X18	1			Z38045	
055-1		265652-6	TAPPING SCREW 4X18	1	O	Z38045		
056		892295-7	CLEAR LABEL	1			Z38045	
056-1		816X01-0	CLEAR LABEL	1	O	Z38045		
A01		782420-7	LOCK NUT WRENCH 20	1				

Interchange
O : Yes
X : No
< : the new part can be substituted for the current.
> : the current part can be substituted for the new.
S : Interchangeable as a set.