



VN	VIETNAM
----	---------

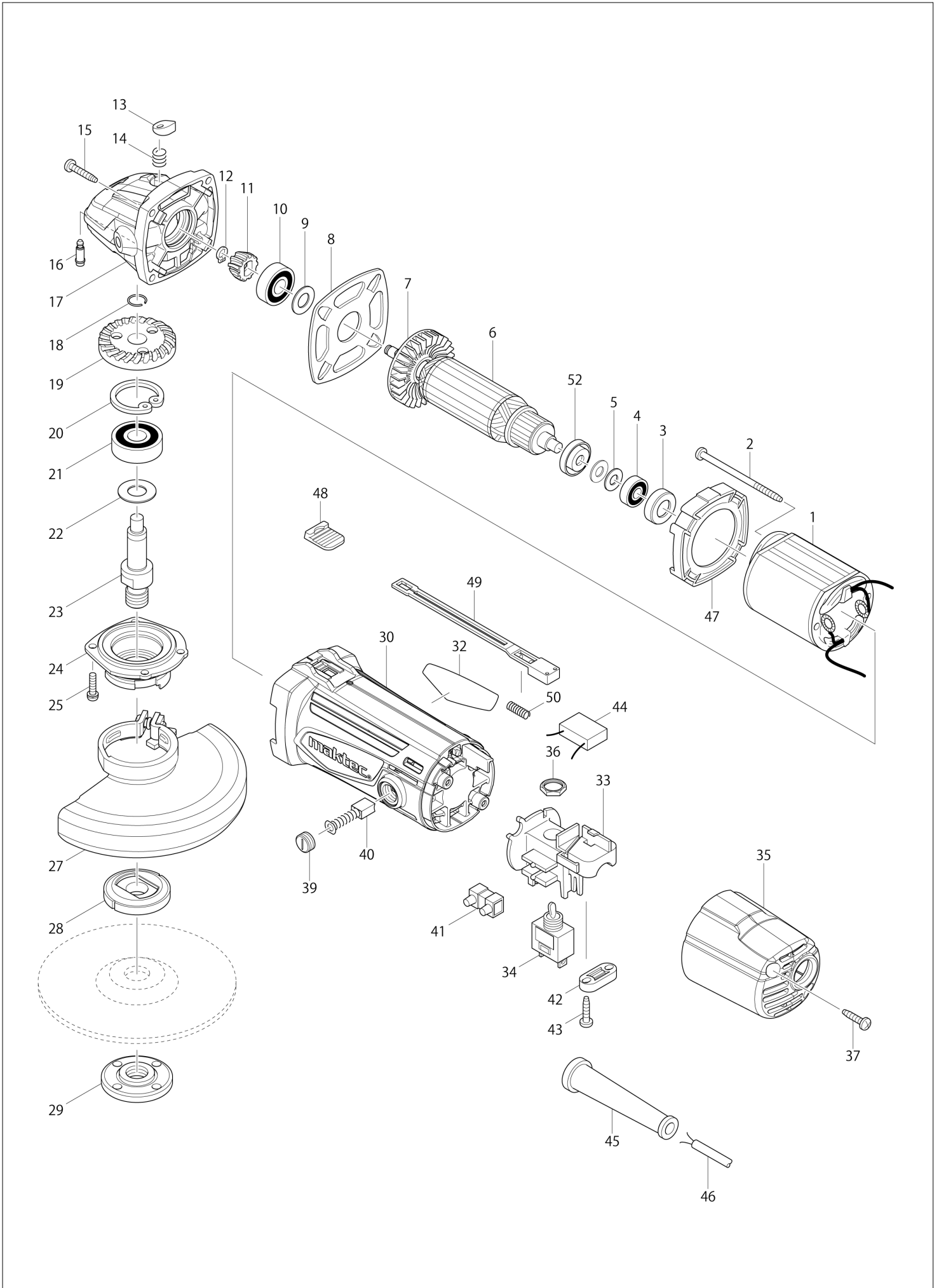
# Diagram / Parts List

**MT963**

**125MM ANGLE GRINDER**



# (VN) MT963 / 125MM ANGLE GRINDER



<b>VN</b>	<b>VIETNAM</b>
-----------	----------------

### MT963 / 125MM ANGLE GRINDER

Item	Sub	Parts No.	Parts Description	Qty	I/C	E/C No.	Close No.	Remark
001		593523-0	FIELD ASS'Y 220-240V	1				
	C10	654221-2	RING TERMINAL	2			B6978	
	C11	654450-7	RING TERMINAL	2	O	B6978		
	C20	654501-6	CONNECTOR P-1.25	2			B6826	
	C21	654485-8	PARALLEL SPLICE	2	>	B6826		
002		266325-4	TAPPING SCREW 4X70	2				
003		421808-3	RUBBER RING 19	1				
004		210062-2	BALL BEARING 607ZZ	1				
005		267245-5	FLAT WASHER 7	2				
006		510172-8	ARMATURE ASSEMBLY 220V	1				
	D10		INC. 4,5,7,52					
007		240059-7	FAN 50	1				
008		285704-7	BEARING RETAINER 69	1				
009		267256-0	FLAT WASHER 10	1				
010		210067-2	BALL BEARING 6000ZZ	1			C7958	
010-1		210199-5	BALL BEARING 6000ZZ	1	O	C7958		
011		227451-4	SPIRAL BEVEL GEAR 11	1				
012		961002-0	RETAINING RING S-6	1				
013		417771-6	PIN CAP	1				
014		233376-2	COMPRESSION SPRING 8	1				
015		266324-6	TAPPING SCREW 4X22	4				
016		256486-8	SHOULDER PIN 4	1				
017		140433-8	GEAR HOUSING COMPLETE	1				
	C10	213445-5	O-RING 26	1				
018		233950-6	RING SPRING 11	1				
019		227452-2	SPIRAL BEVEL GEAR 36	1				
020		962151-6	RETAINING RING R-32	1				
021		211129-9	BALL BEARING 6201DDW	1				
022		267238-2	FLAT WASHER 12	1				
023		325978-9	SPINDLE	1				
024		318374-8	BEARING BOX	1				
025		265100-5	PAN HEAD SCREW M4X16	4				
027		122887-1	WHEEL COVER 125K ASSY	1			99814	
	C10	213009-5	O RING 4	1			99814	
	C20	265180-1	PAN HEAD SCREW M5X16	1			99814	
027-1		123099-9	WHEEL COVER 125AK ASSEMBLY	1	<	99814		
	C10	213009-5	O RING 4	1		99814		
	C20	265180-1	PAN HEAD SCREW M5X16	1		99814		
028		224415-9	INNER FLANGE 42	1				
029		224554-5	LOCK NUT 14-45	1				
030		140434-6	MOTOR HOUSING COMPLETE	1				
	C10	643455-2	BRUSH HOLDER 6X9	2				
032		868180-6	MT963 NAME PLATE	1				
033		418397-7	SUPPORT	1				
034		651424-9	SWITCH STL106AT	1				
035		451916-6	REAR COVER	1				
036		652112-1	HEX. NUT	1				
037		266326-2	TAPPING SCREW 4X18	2				
039		643987-9	BRUSH HOLDER CAP 5-8	2				
040		B-80391	CARBON BRUSH SET CB-411A	1				
041		654588-8	TERMINAL BLOCK	1			A7893	
041-1		654532-5	TERMINAL BLOCK 1P	1	O	A7893		
042		687124-5	STRAIN RELIEF	1				
043		266326-2	TAPPING SCREW 4X18	2				
045		682569-2	CORD GUARD 8-85	1				
046		691284-7	POWER SUPPLY CORD 0.75-2-2.0	1				
047		418015-7	BAFFLE PLATE	1				
048		418016-5	SWITCH KNOB	1				
049		418017-3	SWITCH LEVER	1				
050		233360-7	COMPRESSION SPRING 4	1				
052		681636-0	INSULATION WASHER	1				
A01		153489-2	GRIP 36 COMPLETE	1				
A02		782423-1	LOCK NUT WRENCH 35	1				

Interchange  
O : Yes  
X : No  
< : the new part can be substituted for the current.  
> : the current part can be substituted for the new.  
S : Interchangeable as a set.