



VN	VIETNAM
----	---------

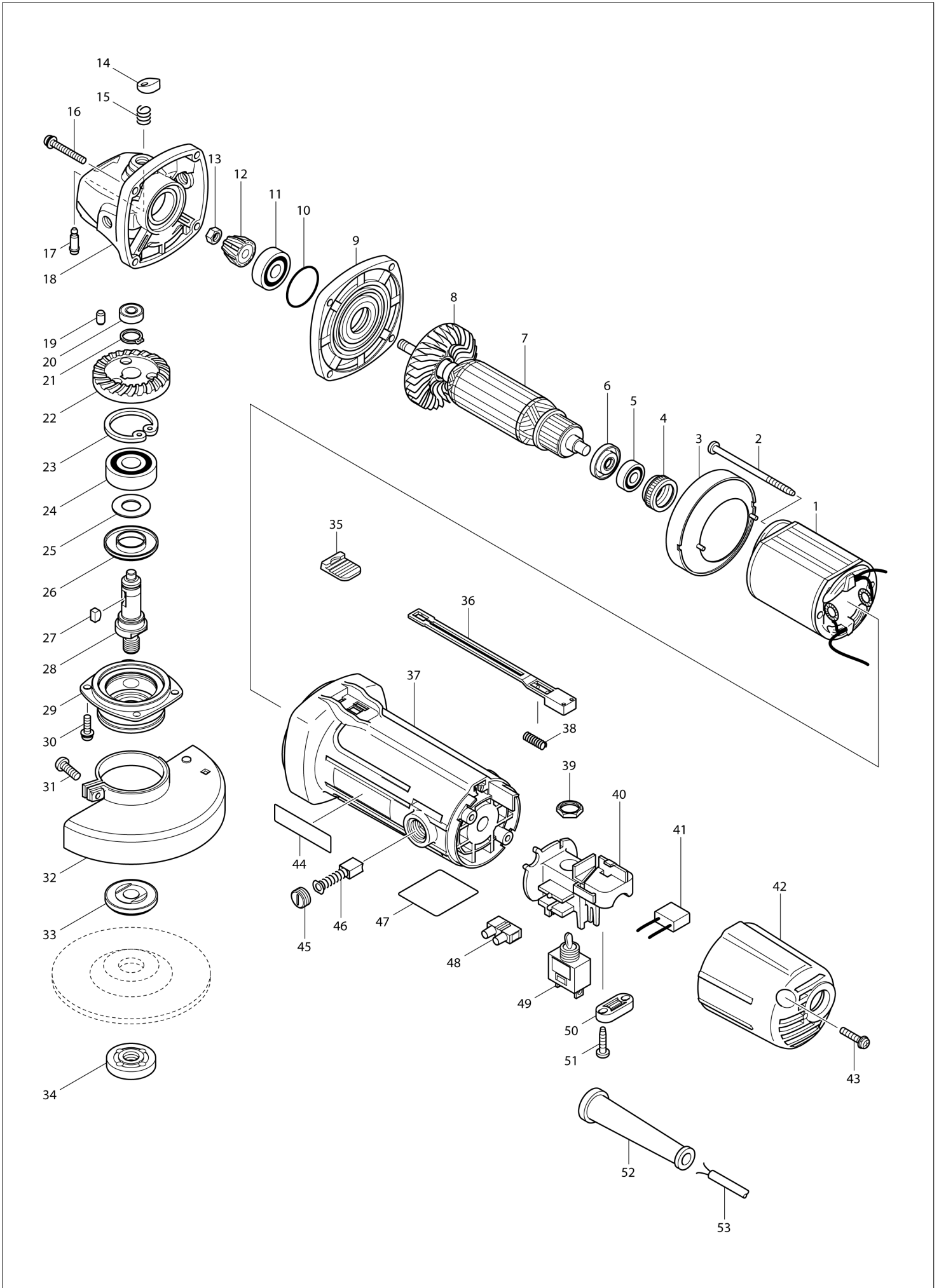
Diagram / Parts List

MT955

ANGLE GRINDER 100MM



(VN) MT955 / ANGLE GRINDER 100MM



VN	VIETNAM
-----------	----------------

MT955 / ANGLE GRINDER 100MM

Item	Sub	Parts No.	Parts Description	Qty	I/C	E/C No.	Close No.	Remark
001		593603-2	FIELD ASS'Y 220V	1				
	C10	654221-2	RING TERMINAL	2			B6978	
	C11	654450-7	RING TERMINAL	2	O	B6978		
	C20	654501-6	CONNECTOR P-1.25	2			B6826	
	C21	654485-8	PARALLEL SPLICE	2	>	B6826		
002		266325-4	TAPPING SCREW 4X70	2				
003		418664-0	BAFFLE PLATE	1				
004		421868-5	LABYRINTH RUBBER RING 19	1				
005		210062-2	BALL BEARING 607ZZ	1				
006		681667-9	RESIN WASHER	1			72864	
006-1		681636-0	INSULATION WASHER	1	O	72864		
007		515608-2	ARMATURE ASS'Y 220V	1				
	D10		INC. 5,6,8					
008		240072-5	FAN 56	1			Y06080	
008-1		240076-7	FAN 56	1	O	Y06080		
009		317798-5	GEAR HOUSING COVER	1				
010		213445-5	O-RING 26	1				
011		210063-0	BALL BEARING 629ZZ	1			75290	
011-1		210071-1	BALL BEARING 629LLB	1	<	75290	80154	
011-2		210063-0	BALL BEARING 629ZZ	1	O	80154		
012		227464-5	SPIRAL BEVEL GEAR 10	1			C6204	
012-1		227541-3	SPIRAL BEVEL GEAR 10	1	S	C6204		
013		252174-5	HEX. NUT M6	1				
014		417771-6	PIN CAP	1				
015		233376-2	COMPRESSION SPRING 8	1				
016		265147-9	+ PAN HEAD SCREW M4X22	4				
017		256470-3	SHOULDER PIN 4	1			86248	
017-1		256486-8	SHOULDER PIN 4	1	O	86248		
018		317797-7	GEAR HOUSING	1				
019		263002-9	RUBBER PIN 4	1				
020		210033-9	BALL BEARING 696ZZ	1				
021		961052-5	RETAINING RING S-12	1				
022		227465-3	SPIRAL BEVEL GEAR 37	1			76502	
022-1		227505-7	SPIRAL BEVEL GEAR 37	1	<	76502	C6204	
022-2		227542-1	SPIRAL BEVEL GEAR 37	1	S	C6204		
023		962151-6	RETAINING RING R-32	1				
024		211129-9	BALL BEARING 6201DDW	1				
025		267238-2	FLAT WASHER 12	1				
026		345393-1	LABYRINTH RING	1				
027		254011-9	WOODRUFF KEY 4	1				
028		324440-1	SPINDLE	1			73704	
028-1		324648-7	SPINDLE	1	X	73704	86248	
028-2		324488-3	SPINDLE	1	O	86248		
029		317799-3	BEARING BOX	1				
030		265099-4	PAN HEAD SCREW M4X14	4				
031		265103-9	PAN HEAD SCREW M5X14	1				
032		165322-6	WHEEL COVER	1			Y05087	
032-1		135196-9	WHEEL COVER ASS'Y	1	<	Y05087	B6931	
	D10		INC. 31			Y05087	B6931	
032-2		125266-2	WHEEL COVER 100 ASSEMBLY	1	O	B6931		
	D10		INC. 31			B6931		
033		224380-2	INNER FLANGE 30	1			86248	
033-1		224314-5	INNER FLANGE 30	1	O	86248		
034		224569-2	LOCK NUT 10-30	1			82792	
034-1		224559-5	LOCK NUT 10-30	1	<	82792		
035		418016-5	SWITCH KNOB	1				
036		418017-3	SWITCH LEVER	1				
037		183883-4	MOTOR HOUSING	1				
	C10	643455-2	BRUSH HOLDER 6X9	2				
	D10		INC. 44					
038		233360-7	COMPRESSION SPRING 4	1				
039		652112-1	HEX. NUT	1				
040		418397-7	SUPPORT	1				
042		418013-1	REAR COVER	1				
043		265099-4	PAN HEAD SCREW M4X14	2				

Interchange
O : Yes
X : No
< : the new part can be substituted for the current.
> : the current part can be substituted for the new.
S : Interchangeable as a set.

