



VN	VIETNAM
----	---------

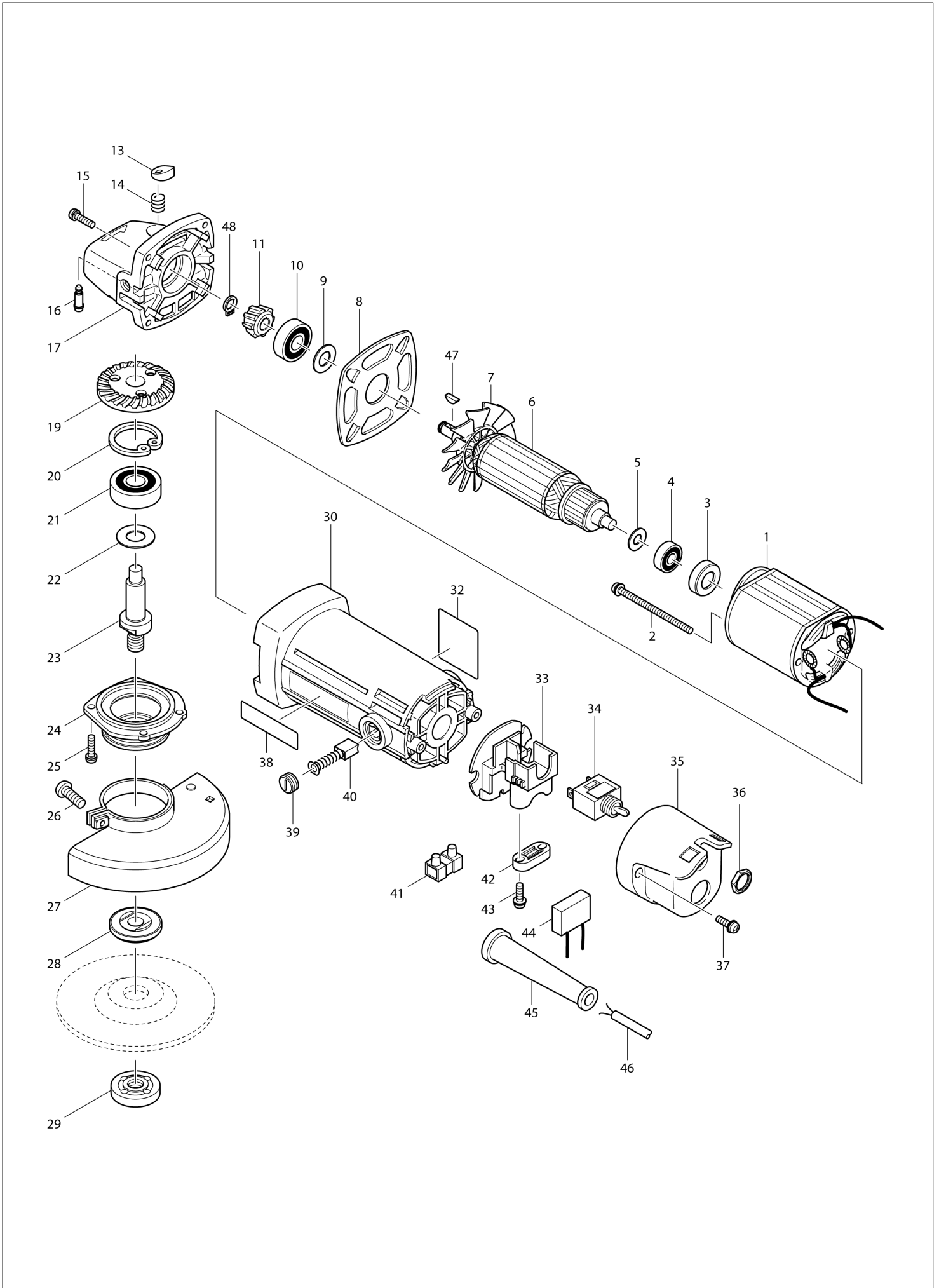
Diagram / Parts List

MT954

ANGLE GRINDER 100MM



(VN) MT954 / ANGLE GRINDER 100MM



VN	VIETNAM
-----------	----------------

MT954 / ANGLE GRINDER 100MM

Item	Sub	Parts No.	Parts Description	Qty	I/C	E/C No.	Close No.	Remark
001		593523-0	FIELD ASS'Y 220-240V	1			A9568	
	C10	654221-2	RING TERMINAL	2			A9568	
	C20	654501-6	CONNECTOR P-1.25	2			A9568	
001-1		590040-1	FIELD ASS'Y 220-240V	1	O	A9568	Y07737	
	C10	654450-7	RING TERMINAL	2	O	A9568	Y07737	
	C20	654501-6	CONNECTOR P-1.25	2		A9568	Y07737	
001-2		593523-0	FIELD ASS'Y 220-240V	1	O	Y07737		
	C10	654450-7	RING TERMINAL	2	O	Y07737		
	C20	654501-6	CONNECTOR P-1.25	2		Y07737		
002		265102-1	PAN HEAD SCREW M4X65	2			B3734	
002-1		266325-4	TAPPING SCREW 4X70	2	S	B3734	C0958	
002-2		265657-6	TAPPING SCREW 4X70	2	O	C0958		
003		421808-3	RUBBER RING 19	1				
004		210062-2	BALL BEARING 607ZZ	1				
005		267245-5	FLAT WASHER 7	1				
006		517438-7	ARMATURE ASS'Y 220V	1			71235	
	D10		INC. 4,5,7				71235	
006-1		517438-7	ARMATURE ASS'Y 220V	1	<	71235		
	C10	681661-1	INSULATION WASHER	1		71235		
	D10		INC. 4,5,7			71235		
007		240050-5	FAN 60	1				
008		285704-7	BEARING RETAINER 69	1				
009		267256-0	FLAT WASHER 10	1				
010		210067-2	BALL BEARING 6000ZZ	1				
011		227448-3	SPIRAL BEVEL GEAR 14	1			C3023	
011-1		221573-2	SPIRAL BEVEL GEAR 14	1	S	C3023		
013		417771-6	PIN CAP	1				
014		233376-2	COMPRESSION SPRING 8	1				
015		265100-5	PAN HEAD SCREW M4X16	4			B3734	
015-1		266324-6	TAPPING SCREW 4X22	4	S	B3734	C0991	
015-2		265651-8	TAPPING SCREW 4X22	4	O	C0991		
016		256470-3	SHOULDER PIN 4	1			86248	
016-1		256486-8	SHOULDER PIN 4	1	O	86248		
017		153423-2	GEAR HOUSING COMPLETE	1				
	C10	213445-5	O-RING 26	1				
	C20	212953-3	NEEDLE BEARING 810	1				
019		227449-1	SPIRAL BEVEL GEAR 35	1			C3023	
019-1		221574-0	SPIRAL BEVEL GEAR 35	1	S	C3023		
020		962151-6	RETAINING RING R-32	1				
021		211129-9	BALL BEARING 6201DDW	1				
022		267238-2	FLAT WASHER 12	1				
023		324312-0	SPINDLE	1				
024		317534-9	BEARING BOX	1				
025		265100-5	PAN HEAD SCREW M4X16	4				
026		265103-9	PAN HEAD SCREW M5X14	1				
027		165322-6	WHEEL COVER	1			Y05087	
027-1		135196-9	WHEEL COVER ASS'Y	1	<	Y05087	A6240	
	D10		INC. 26			Y05087	A6240	
027-2		125266-2	WHEEL COVER 100 ASSEMBLY	1	O	A6240	B6931	
	D10		INC. 26			A6240	B6931	
027-3		125266-2	WHEEL COVER 100 ASSEMBLY	1	O		B6931	
	D10		INC. 26				B6931	
028		224380-2	INNER FLANGE 30	1			86248	
028-1		224314-5	INNER FLANGE 30	1	O	86248		
029		224569-2	LOCK NUT 10-30	1			82792	
029-1		224559-5	LOCK NUT 10-30	1	<	82792		
030		183464-4	MOTOR HOUSING	1			B3734	
	C10	643986-1	BRUSH HOLDER 6X9	2			70791	
	C11	643455-2	BRUSH HOLDER 6X9	2	<	70791	B3734	
	D10		INC. 38				B3734	
030-1		183E53-5	HOUSING SET	1	S	B3734		
	C11	643455-2	BRUSH HOLDER 6X9	2	<	B3734		
	D10		INC. 38			B3734		
032		850483-2	NAME PLATE MT954	1				
033		417770-8	SUPPORT	1			A8559	

Interchange
O : Yes
X : No
< : the new part can be substituted for the current.
> : the current part can be substituted for the new.
S : Interchangeable as a set.

