



VN	VIETNAM
----	---------

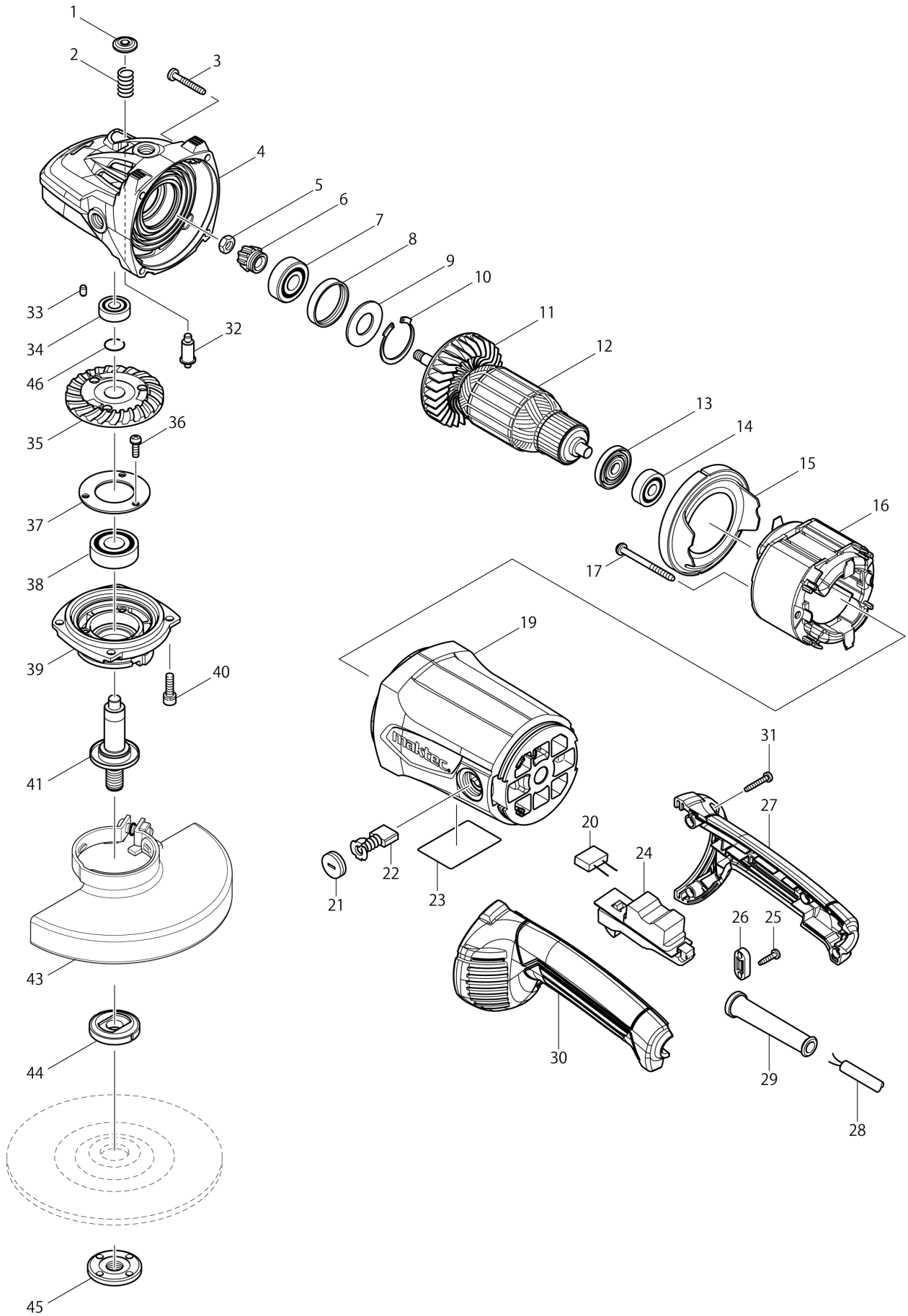
Diagram / Parts List

MT902

180MM ANGLE GRINDER



(VN) MT902 / 180MM ANGLE GRINDER



VN	VIETNAM
-----------	----------------

MT902 / 180MM ANGLE GRINDER

Item	Sub	Parts No.	Parts Description	Qty	I/C	E/C No.	Close No.	Remark
001		419133-4	PIN CAP	1				
002		233292-8	COMPRESSION SPRING 12	1				
003		266373-3	TAPPING SCREW 5X35	4				
004		140496-4	GEAR HOUSING COMPLETE	1			A2702	
	D10		INC. 33				A2702	
004-1		142753-6	GEAR HOUSING COMPLETE	1	<	A2702		
	D10		INC. 33			A2702		
005		252194-9	HEX. NUT M8	1				
006		227488-1	SPIRAL BEVEL GEAR 16	1				
007		210103-4	BALL BEARING 6301ZZ	1			89867	
007-1		210104-2	BALL BEARING 6301DDW	1	<	89867		
008		262085-6	RUBBER RING 38	1				
009		267299-2	FLAT WASHER 20	1				
010		962211-4	RETAINING RING R-42	1				
011		240081-4	FAN 80	1				
012		516948-1	ARMATURE ASS'Y 220-240V	1				
	D10		INC. 11,13,14					
013		681630-2	INSULATION WASHER	1				
014		210070-3	BALL BEARING 6200ZZ	1				
015		419135-0	BAFFLE PLATE	1				
016		596278-6	FIELD ASS'Y 220V	1				
	C10	654197-3	RING TERMINAL	2				
	C20	654502-4	CONNECTOR P-2	2			B6826	
	C21	654486-6	PARALLEL SPLICE	2	>	B6826		
017		266352-1	TAPPING SCREW 5X65	2				
019		140495-6	MOTOR HOUSING COMPLETE	1				
	C10	643564-7	BRUSH HOLDER	2				
021		643700-5	BRUSH HOLDER CAP 7-18	2				
022		B-80357	CARBON BRUSH SET CB-204A	1				
023		868221-8	MT902 NAME PLATE	1				
024		651184-3	SWITCH HY44C	1				
025		266326-2	TAPPING SCREW 4X18	2				
026		687140-7	STRAIN RELIEF	1				
027		188895-2	HANDLE SET	1				
	D10		INC. 30					
028		691780-5	POWER SUPPLY CORD 0.75-2-2.0	1			Y08439	
028-1		691780-5	POWER SUPPLY CORD 0.75-2-2.0	1	O	Y08439		
029		682574-9	CORD GUARD 10-90	1				
030		188895-2	HANDLE SET	1				
	D10		INC. 27					
031		266374-1	TAPPING SCREW 4X25	4				
032		256491-5	SHOULDER PIN 5	1				
033		263002-9	RUBBER PIN 4	1				
034		210067-2	BALL BEARING 6000ZZ	1				
035		227489-9	SPIRAL BEVEL GEAR 53 B	1				
036		265120-9	PAN HEAD SCREW M5X16	3				
037		285724-1	BEARING RETAINER 50	1				
038		211285-5	BALL BEARING 6203DDW	1			D6837	
038-1		210239-9	BALL BEARING 6203DDW	1	O	D6837		
039		318617-8	BEARING BOX	1				
040		265541-5	HEX. SOCKET HEAD BOLT M6X22	4				
041		158209-9	SPINDLE COMPLETE	1				
043		122890-2	WHEEL COVER 180K ASS'Y	1				
	C10	213017-6	O RING 6	1				
	C20	265198-2	+PAN HEAD SCREW M8X25	1				
044		224415-9	INNER FLANGE 42	1			B3974	
044-1		224490-5	INNER FLANGE 14-45	1	O	B3974		
045		224543-0	LOCK NUT 14-45	1				
046		233946-7	RING SPRING 15	1				
A01		152539-0	GRIP 36 COMPLETE	1				
A02		782407-9	LOCK NUT WRENCH 35	1			D1367	
A02-1		782034-2	LOCK NUT WRENCH 35	1	O	D1367		

Interchange
O : Yes
X : No
< : the new part can be substituted for the current.
> : the current part can be substituted for the new.
S : Interchangeable as a set.