



VN	VIETNAM
----	---------

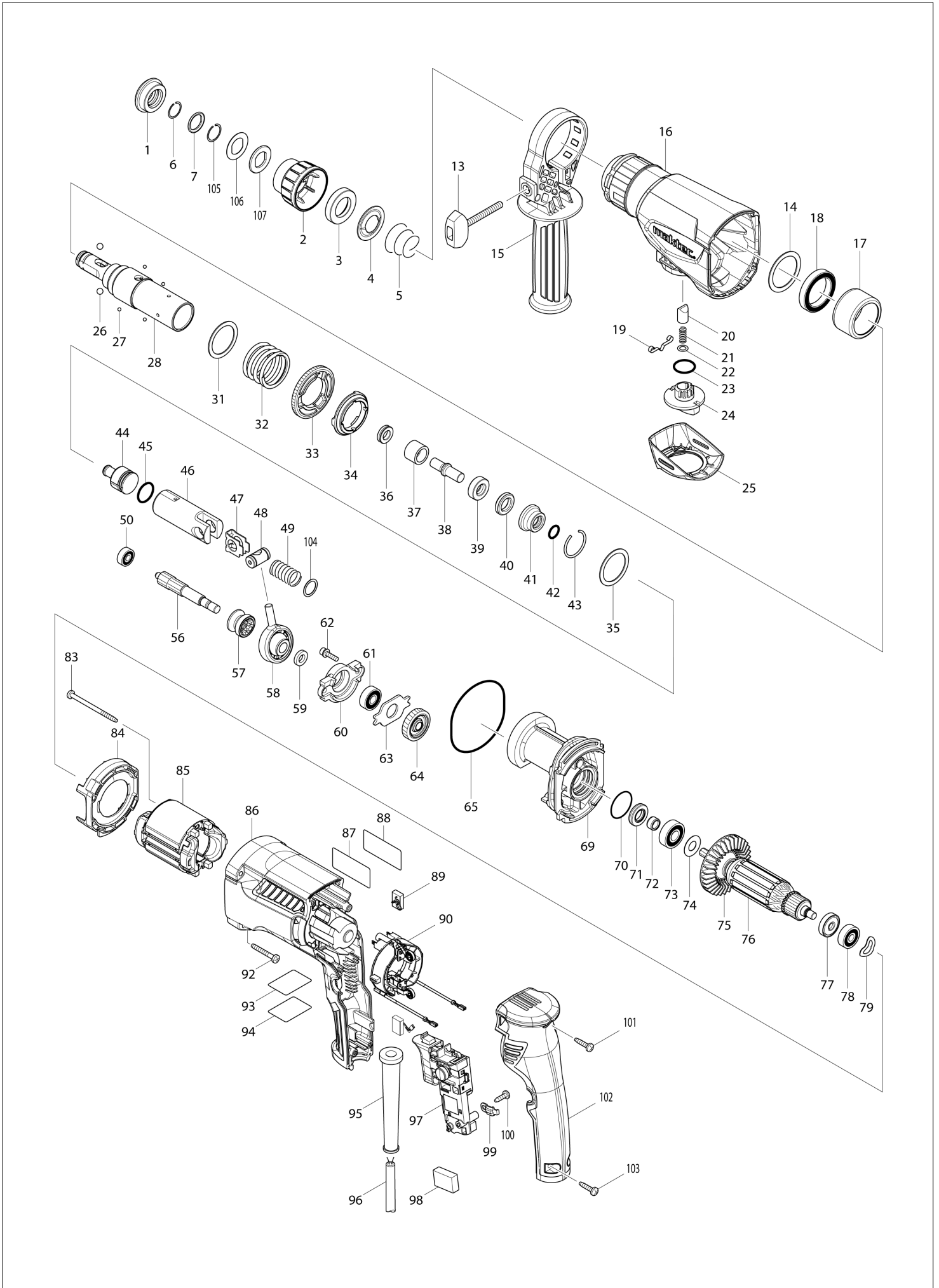
Diagram / Parts List

MT870

20MM ROTARY HAMMER



(VN) MT870 / 20MM ROTARY HAMMER



VN	VIETNAM
-----------	----------------

MT870 / 20MM ROTARY HAMMER

Item	Sub	Parts No.	Parts Description	Qty	I/C	E/C No.	Close No.	Remark
001		286288-8	CAP 35	1				
002		452986-8	CHUCK COVER	1			B4788	
002-1		456529-8	CHUCK COVER	1	S	B4788		
003		325813-1	RING 21	1				
004		346177-0	GUIDE WASHER	1				
005		233916-6	CONICAL COMP. SPRING 21-29	1				
006		233989-9	RING SPRING 14	1				
007		346221-3	WASHER 16	1			B4788	
007-1		346834-0	WASHER 16	1	S	B4788		
013		265795-4	THUMB SCREW M6X52	1				
014		267415-6	FLAT WASHER 33	1				
015		452985-0	GRIP 34	1				
016		141070-1	GEAR HOUSING COMPLETE	1				
	C10	213636-8	OIL SEAL 25	1				
017		346178-8	CUP SLEEVE	1				
018		211423-9	BALL BEARING 6806DDW	1				
019		232152-1	LEAF SPRING	1				
020		325785-0	PUSH CORN	1				
021		234147-0	COMPRESSION SPRING 5	1				
022		253308-3	THIN WASHER 6	1				
023		213258-4	O RING 17.5	1				
024		452983-4	CHANGE LEVER	1				
025		452982-6	CHANGE LEVER COVER	1				
026		216022-2	STEEL BALL 7.0	2				
027		216019-1	STEEL BALL 3	4				
028		141068-8	TOOL HOLDER COMPLETE	1			B4788	
028-1		144273-6	TOOL HOLDER COMPLETE	1	<	B4788		
031		267153-0	FLAT WASHER 30	1				
032		234222-2	COMPRESSION SPRING 31	1				
033		227268-5	SPUR GEAR 51	1				
034		313218-7	DRIVING FLANGE	1				
035		267153-0	FLAT WASHER 30	1				
036		213075-2	X-RING 9	1				
037		325782-6	SLEEVE 9A	1				
038		325789-2	IMPACT BOLT A	1				
039		325794-9	RING 10A	1				
040		424267-0	CUSHION RING 12	1				
041		325798-1	O-RING CASE A	1				
042		213073-6	O RING 9	1				
043		233979-2	RING SPRING 28	1				
044		326096-6	STRIKER	1				
045		213258-4	O RING 17.5	1				
046		310345-1	PISTON CYLINDER	1				
047		346036-8	GUIDE PLATE	1				
048		326097-4	PISTON JOINT	1			B4403	
048-1		324215-8	PISTON JOINT	1	O	B4403		
049		234098-7	COMPRESSION SPRING 14	1				
050		210028-2	BALL BEARING 606ZZ	1				
056		227269-3	SPUR GEAR 10	1				
057		223174-2	CLUTCH CAM	1				
058		219021-3	SWASH BEARING 10	1				
059		257321-3	RING 8	1				
060		310344-3	BEARING BOX	1				
061		210029-0	BALL BEARING 608ZZ	1				
062		266437-3	HEX. SOCKET HEAD BOLT M4X16	2				
063		285735-6	BEARING RETAINER	1				
064		227748-1	HELICAL GEAR 27	1				
065		213727-5	O-RING 63	1				
069		141664-2	INNER HOUSING COMPLETE	1				
070		213407-3	O RING 26	1				
071		213678-2	OIL SEAL 12	1				
072		262571-7	SLEEVE 8	1				
073		210067-2	BALL BEARING 6000ZZ	1				
074		267213-8	FLAT WASHER 10	1				
075		240084-8	FAN 60	1				

Interchange
O : Yes
X : No
< : the new part can be substituted for the current.
> : the current part can be substituted for the new.
S : Interchangeable as a set.

