



VN	VIETNAM
----	---------

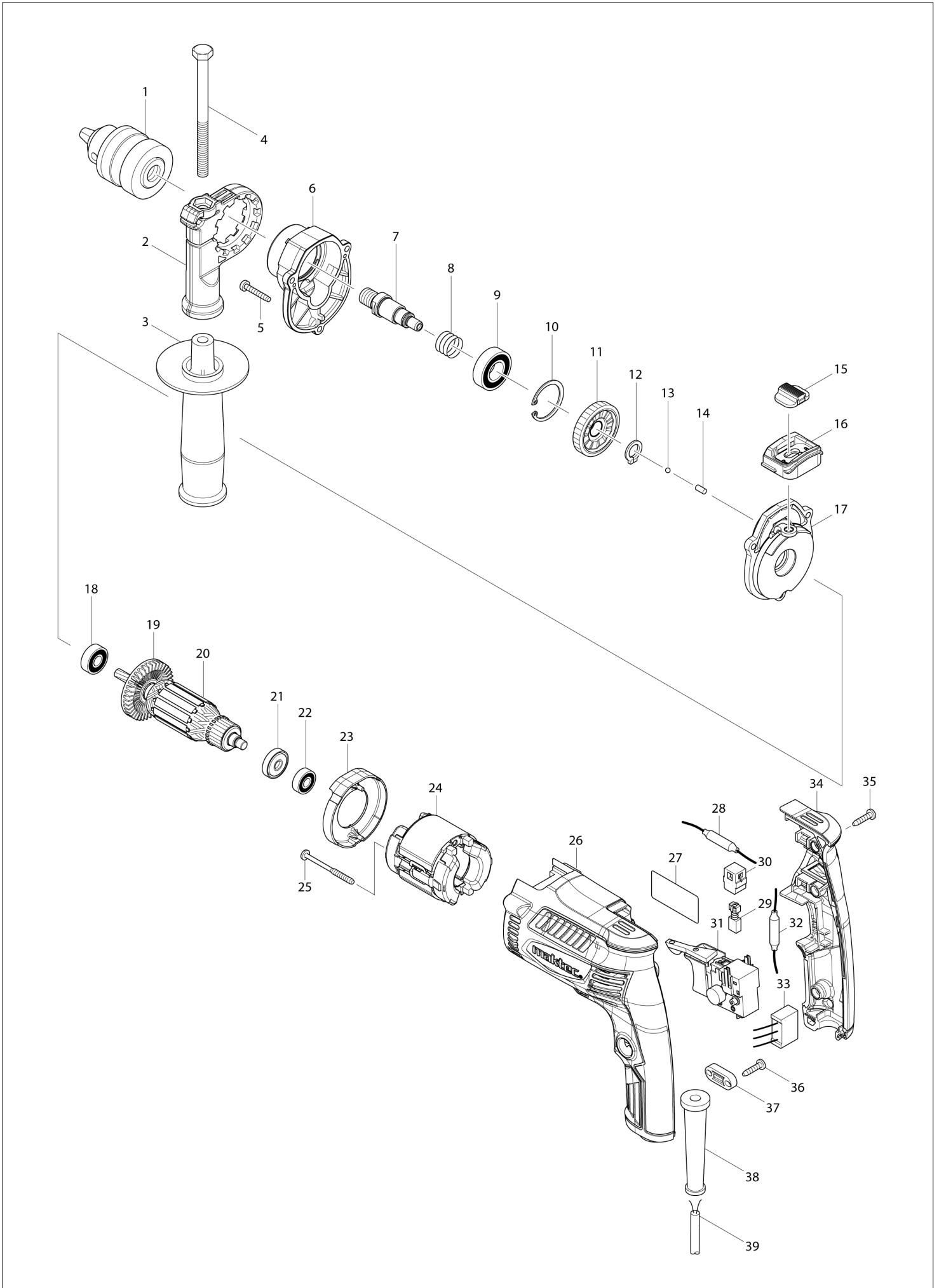
Diagram / Parts List

MT817

HAMMER DRILL 13MM



(VN) MT817 / HAMMER DRILL 13MM



VN	VIETNAM
-----------	----------------

MT817 / HAMMER DRILL 13MM

Item	Sub	Parts No.	Parts Description	Qty	I/C	E/C No.	Close No.	Remark
001		763161-4	DRILL CHUCK S13	1			B2652	
001-1		763232-7	DRILL CHUCK S13	1	O	B2652		
002		454126-4	GRIP BASE	1				
003		153503-4	GRIP 36 COMPLETE	1			98523	
003-1		142083-5	GRIP 36 COMPLETE	1	O	98523		
004		265495-6	HEX. BOLT M8X110	1				
005		266374-1	TAPPING SCREW 4X25	3			C0991	
005-1		265656-8	TAPPING SCREW 4X25	3	O	C0991		
006		454115-9	GEAR HOUSING	1				
007		326226-9	SPINDLE	1			C5834	
007-1		327325-0	SPINDLE	1	S	C5834		
008		233330-6	COMPRESSION SPRING 16	1				
009		211247-3	BALL BEARING 6002DDW	1			B2651	
009-1		211484-9	BALL BEARING 6002LLB	1	O	B2651		
010		962151-6	RETAINING RING R-32	1				
011		227761-9	HELICAL GEAR 37	1				
012		961082-6	RETAINING RING WR12	1			A0811	
012-1		961052-5	RETAINING RING S-12	1	O	A0811		
013		216001-0	STEEL BALL 3.5	1				
014		256251-5	PIN 4	1				
015		417819-4	CHANGE LEVER	1				
016		454116-7	LEVER CASE	1				
017		141899-5	CAM HOUSING COMPLETE	1			98523	
	C10	141745-2	CAM COMPLETE	1			98523	
017-1		141899-5	CAM HOUSING COMPLETE	1	S	98523	C5834	
	C10	141745-2	CAM COMPLETE	1		98523	C5834	
017-2		140K24-1	CAM HOUSING COMPLETE	1	S	C5834		
	C11	140K25-9	CAM COMPLETE	1	S	C5834		
018		210005-4	BALL BEARING 608DDW	1				
019		240055-5	FAN 48	1				
020		515868-6	ARMATURE ASS'Y 220V	1				
	D10		INC. 18,19,21,22					
021		681652-2	INSULATION WASHER	1				
022		210062-2	BALL BEARING 607ZZ	1			B2651	
022-1		211382-7	BALL BEARING 607ZZ	1	O	B2651		
023		454119-1	BAFFLE PLATE	1			A8029	
023-1		456129-4	BAFFLE PLATE	1	<	A8029		
024		593803-4	FIELD ASS'Y 220-240V	1				
	C10	654228-8	RECEPTACLE	1				
025		266467-4	TAPPING SCREW 4X50	2			C0991	
025-1		265650-0	TAPPING SCREW 4X50	2	O	C0991		
026		454120-6	MOTOR HOUSING	1				
027		814D35-7	MT817 NAME PLATE	1				
028		646148-0	CHOKE COIL	1		A7825		
029		B-80282	CARBON BRUSH SET CB-85A	1				
030		643566-3	BRUSH HOLDER 5X8	2				
031		650555-1	SWITCH FA1-3/2BEZ-3	1				
032		646147-2	CHOKE COIL	1		A7825		
033		645196-6	NOISE SUPPRESSOR	1		A7825		
034		454121-4	HANDLE COVER	1				
035		266326-2	TAPPING SCREW 4X18	3			C0991	
035-1		265652-6	TAPPING SCREW 4X18	3	O	C0991		
036		266326-2	TAPPING SCREW 4X18	2			C0991	
036-1		265652-6	TAPPING SCREW 4X18	2	O	C0991		
037		687124-5	STRAIN RELIEF	1				
038		682569-2	CORD GUARD 8-85	1				
039		691284-7	POWER SUPPLY CORD 0.75-2-2.0	1				
040		345836-3	CHANGE PLATE	1	S	98523		
A01		418163-2	KEY HOLDER 10	1				
A02		763441-8	CHUCK KEY S13	1			B2652	
A02-1		763235-1	CHUCK KEY S13	1	O	B2652		
A03B		821570-4	PLASTIC CARRYING CASE	1				
	C10	452180-2	SLIDE LATCH	2				
	C20	819906-9	MAKTEC LOGO LABEL	1				
A03C		821570-4	PLASTIC CARRYING CASE	1				

B:MT817K(H)
C:MT817KSP(H)

Interchange
O : Yes
X : No
< : the new part can be substituted for the current.
> : the current part can be substituted for the new.
S : Interchangeable as a set.

