



VN	VIETNAM
----	---------

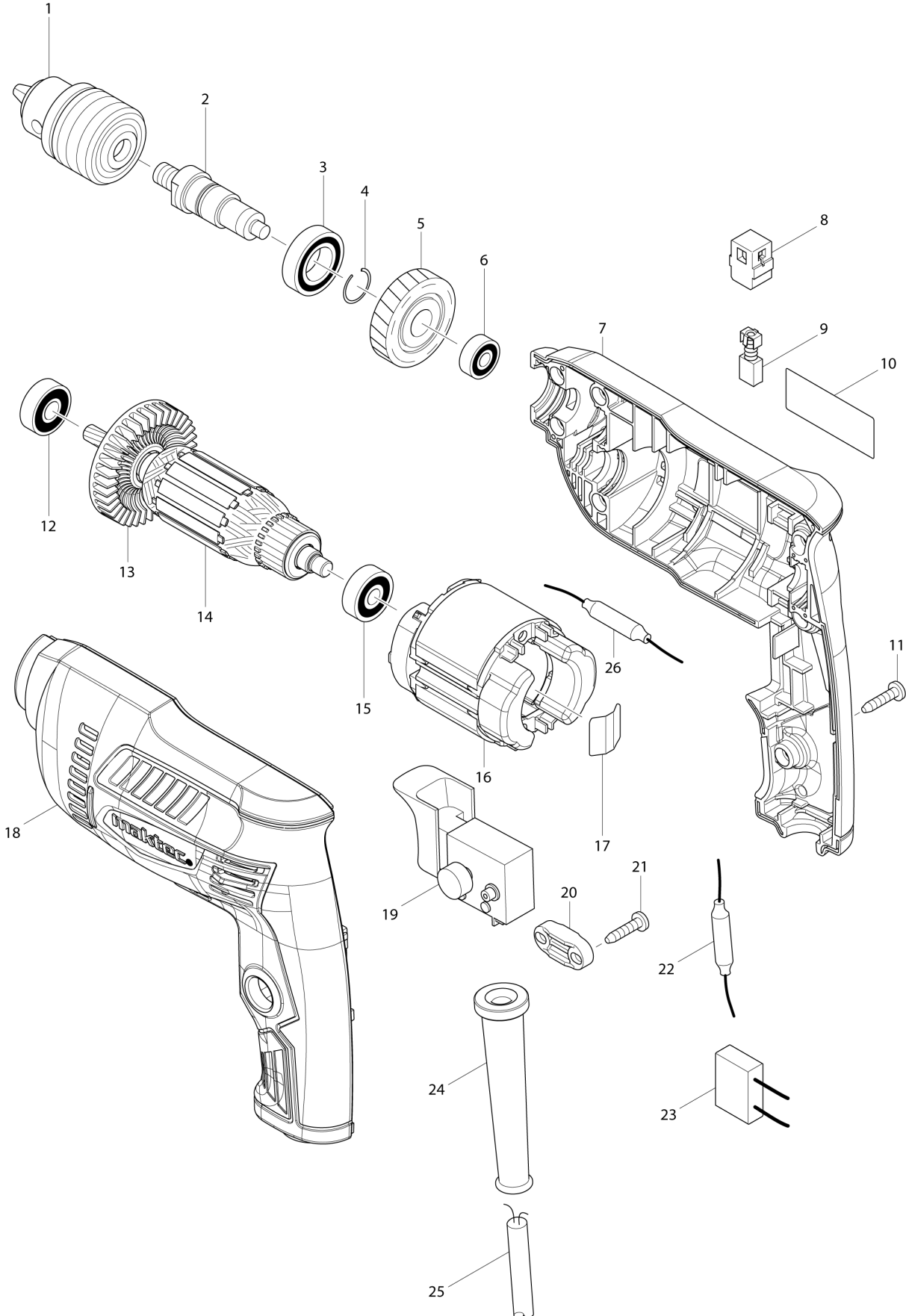
Diagram / Parts List

MT605

10MM DRILL



(VN) MT605 / 10MM DRILL



VN	VIETNAM
----	---------

MT605 / 10MM DRILL

Item	Sub	Parts No.	Parts Description	Qty	I/C	E/C No.	Close No.	Remark
001		763173-7	DRILL CHUCK S10	1			98496	
001-1		766014-6	DRILL CHUCK S10	1	O	98496		
002		324376-4	SPINDLE	1				
003		211242-3	BALL BEARING 6902ZZ	1			B2540	
003-1		210153-9	BALL BEARING 6902ZZ	1	O	B2540		
004		233925-5	RING SPRING 13	1				
005		226578-7	HELICAL GEAR 35	1				
006		210028-2	BALL BEARING 606ZZ	1			B2540	
006-1		210137-7	BALL BEARING 606ZZ	1	O	B2540		
007		187085-4	HOUSING SET	1			B1974	
	D10		INC. 18				B1974	
007-1		183D54-7	HOUSING SET	1	<	B1974		
	D10		INC. 18			B1974		
008		643563-9	BRUSH HOLDER 5X8	2			Z21149	
008-1		643566-3	BRUSH HOLDER 5X8	2	O	Z21149		
009		B-80282	CARBON BRUSH SET CB-85A	1				
010		869848-7	MT605 NAME PLATE	1				
011		266326-2	TAPPING SCREW 4X18	7			C0991	
011-1		265652-6	TAPPING SCREW 4X18	7	O	C0991		
012		210029-0	BALL BEARING 608ZZ	1			B2540	
012-1		210046-0	BALL BEARING 608ZZ	1	O	B2540		
013		240066-0	FAN 52	1				
014		515848-2	ARMATURE ASS'Y 220V	1				
	D10		INC. 12,13,15					
015		210030-5	BALL BEARING 627ZZ	1			B2540	
015-1		210050-9	BALL BEARING 627ZZ	1	O	B2540		
016		633783-3	FIELD 220V	1			92445	
016-1		633578-4	FIELD 220V	1	O	92445	A8053	
016-2		639357-8	FIELD 220V	1	<	A8053	B3631	
016-3		639074-0	FIELD	1	<	B3631	C2126	
016-4		639109-7	FIELD	1	<	C2126		
017		232210-3	LEAF SPRING	1				
018		187085-4	HOUSING SET	1			B1974	
	D10		INC. 7				B1974	
018-1		183D54-7	HOUSING SET	1	<	B1974		
	D10		INC. 7			B1974		
019		650215-5	SWITCH FA1-3/2B-4	1				
020		687124-5	STRAIN RELIEF	1				
021		266326-2	TAPPING SCREW 4X18	2			C0991	
021-1		265652-6	TAPPING SCREW 4X18	2	O	C0991		
022		646147-2	CHOKE COIL	1		A8053		
023		645190-8	NOISE SUPPRESSOR	1		A8053		
024		682569-2	CORD GUARD 8-85	1				
025		691284-7	POWER SUPPLY CORD 0.75-2-2.0	1				
A01		763444-2	CHUCK KEY S10	1			98496	
A01-1		763447-6	CHUCK KEY S10	1	O	98496		
A02		418163-2	KEY HOLDER 10	1				

Interchange
 O : Yes
 X : No
 < : the new part can be substituted for the current.
 > : the current part can be substituted for the new.
 S : Interchangeable as a set.