



| | |
|----|---------|
| VN | VIETNAM |
|----|---------|

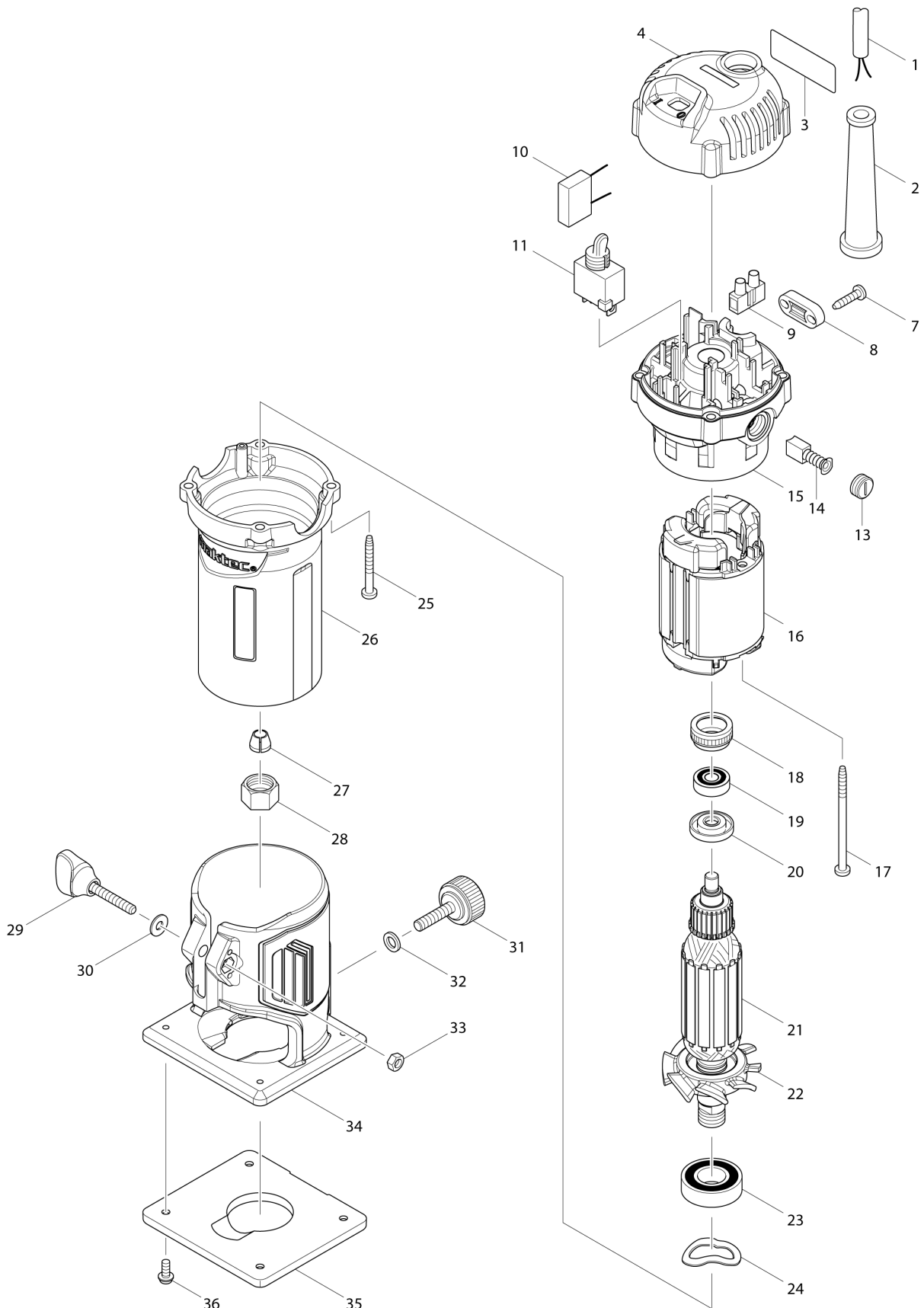
Diagram / Parts List

MT372

TRIMMER



(VN) MT372 / TRIMMER



| | |
|-----------|----------------|
| VN | VIETNAM |
|-----------|----------------|

MT372 / TRIMMER

| Item | Sub | Parts No. | Parts Description | Qty | I/C | E/C No. | Close No. | Remark |
|-------|-----|-----------|--------------------------------|-----|-----|---------|-----------|--------|
| 001 | | 691284-7 | POWER SUPPLY CORD 0.75-2-2.0 | 1 | | | | |
| 002 | | 682569-2 | CORD GUARD 8-85 | 1 | | | | |
| 003 | | 897939-4 | MT372 NAME PLATE | 1 | | | | |
| 004 | | 450665-2 | TOP COVER | 1 | | | | |
| 007 | | 266326-2 | TAPPING SCREW 4X18 | 2 | | | | |
| 008 | | 687124-5 | STRAIN RELIEF | 1 | | | | |
| 011 | | 651424-9 | SWITCH STL106AT | 1 | | | | |
| 013 | | 643987-9 | BRUSH HOLDER CAP 5-8 | 2 | | | | |
| 014 | | B-80391 | CARBON BRUSH SET CB-411A | 1 | | | | |
| 015 | | 141775-3 | BRACKET COMPLETE | 1 | | | C6769 | |
| | C10 | 643858-0 | BRUSH HOLDER 6X9 | 2 | | | B4699 | |
| | C11 | 643509-5 | BRUSH HOLDER 6X9 | 2 | O | B4699 | C6604 | |
| | C12 | 643858-0 | BRUSH HOLDER 6X9 | 2 | < | C6604 | C6769 | |
| 015-1 | | 140L26-3 | BRACKET COMPLETE | 1 | < | C6769 | | |
| | C12 | 643858-0 | BRUSH HOLDER 6X9 | 2 | < | C6769 | | |
| 016 | | 593593-9 | FIELD ASS'Y 220V | 1 | | | C6769 | |
| | C10 | 654221-2 | RING TERMINAL | 2 | | | B6978 | |
| | C11 | 654450-7 | RING TERMINAL | 2 | O | B6978 | C6769 | |
| | C20 | 654501-6 | CONNECTOR P-1.25 | 2 | | | B6826 | |
| | C21 | 654485-8 | PARALLEL SPLICE | 2 | > | B6826 | C6769 | |
| 016-1 | | 593973-9 | FIELD ASSY 220V | 1 | O | C6769 | | |
| | C11 | 654450-7 | RING TERMINAL | 2 | O | C6769 | | |
| | C21 | 654485-8 | PARALLEL SPLICE | 2 | > | C6769 | | |
| 017 | | 266340-8 | TAPPING SCREW 4X65 | 2 | | | | |
| 018 | | 421868-5 | LABYRINTH RUBBER RING 19 | 1 | | | | |
| 019 | | 211382-7 | BALL BEARING 607ZZ | 1 | | | 98001 | |
| 019-1 | | 210062-2 | BALL BEARING 607ZZ | 1 | < | 98001 | | |
| 020 | | 681668-7 | INSULATION WASHER | 1 | | | A1467 | |
| 020-1 | | 681668-7 | INSULATION WASHER | 1 | O | A1467 | | |
| 021 | | 510226-1 | ARMATURE ASS'Y 220V | 1 | | | | |
| | D10 | | INC. 19,20,22,23 | | | | | |
| 022 | | 241667-7 | FAN 52 | 1 | | | | |
| 023 | | 211247-3 | BALL BEARING 6002DDW | 1 | | | | |
| 024 | | 267785-3 | WAVE WASHER 23 | 1 | | | | |
| 025 | | 266351-3 | TAPPING SCREW 4X35 | 4 | | | | |
| 026 | | 141772-9 | MOTOR HOUSING COMPLETE | 1 | | | DB268 | |
| 026-1 | | 141772-9 | MOTOR HOUSING COMPLETE | 1 | < | DB268 | | |
| 027 | | 763663-0 | COLLET CONE 6.35 | 1 | | | | |
| 028 | | 763661-4 | COLLET NUT 6 | 1 | | | | |
| 029 | | 265762-9 | THUMB SCREW M5X30 | 1 | | | C6683 | |
| 029-1 | | 251867-1 | THUMB SCREW M5X30 | 1 | < | C6683 | | |
| 030 | | 941101-4 | FLAT WASHER 5 | 1 | | | | |
| 031 | | 265763-7 | THUMB SCREW M6X25 | 1 | | | | |
| 032 | | 941151-9 | FLAT WASHER 6 | 1 | | | | |
| 033 | | 931202-6 | HEX. NUT M5 | 1 | | | C6683 | |
| 033-1 | | 252156-7 | HEX. NUT M5-8 | 1 | < | C6683 | | |
| 034 | | 454022-6 | BASE | 1 | | | | |
| 035 | | 410585-2 | BASE PROTECTOR | 1 | | | | |
| 036 | | 265142-9 | + PAN HEAD SCREW M4X10 | 4 | | | | |
| A01 | | 122703-7 | TRIMMER GUIDE ASS'Y | 1 | | | | |
| | C10 | 251471-6 | - FLAT HEAD SCREW M5 | 1 | | | | |
| | C20 | 265135-6 | + COUNTERSUNK HEAD SCREW M4X10 | 1 | | | | |
| | C30 | 265763-7 | THUMB SCREW M6X25 | 1 | | | | |
| | C40 | 265764-5 | THUMB SCREW M6 | 1 | | | | |
| | C50 | 317788-8 | GUIDE HOLDER | 1 | | | | |
| | C60 | 324378-0 | ROLLER 11 | 1 | | | | |
| | C70 | 341136-9 | HOOK | 1 | | | | |
| | C80 | 941151-9 | FLAT WASHER 6 | 1 | | | | |
| A02 | | 122704-5 | STRAIGHT GUIDE ASS'Y | 1 | | | | |
| | C10 | 252649-4 | THUMB NUT M6 | 1 | | | | |
| | C20 | 266339-3 | CAP SQUARE NECK BOLT M6X20 | 1 | | | | |
| | C30 | 343593-7 | GUIDE PLATE | 1 | | | | |
| A03 | | 343577-5 | TEMPLER GUIDE 10 | 1 | | | | |
| A04 | | 781036-5 | WRENCH 10 | 1 | | | | |
| A05 | | 781037-3 | WRENCH 17 | 1 | | | | |

Interchange
O : Yes
X : No
< : the new part can be substituted for the current.
> : the current part can be substituted for the new.
S : Interchangeable as a set.

