



VN	VIETNAM
----	---------

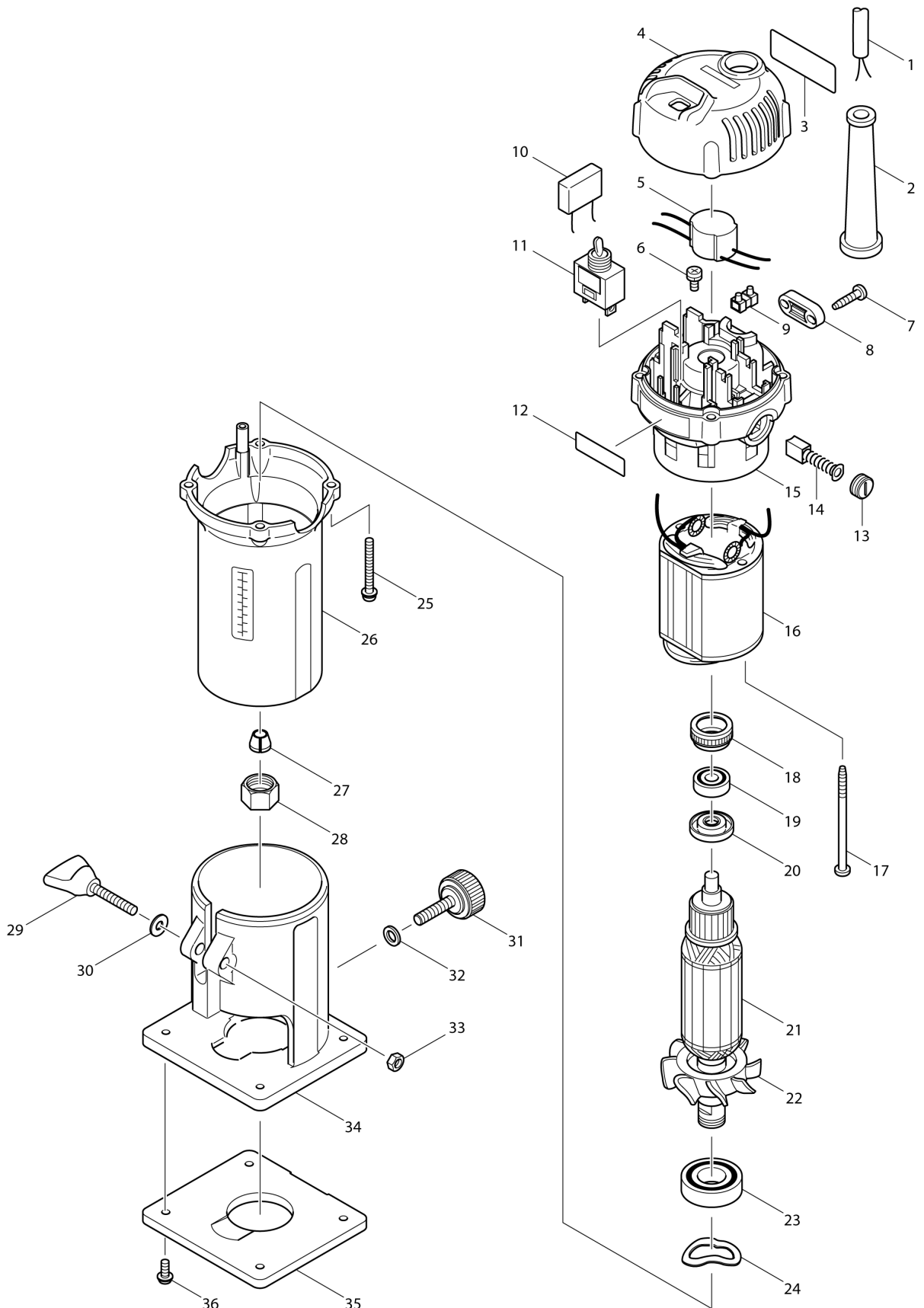
Diagram / Parts List

MT370

TRIMMER



(VN) MT370 / TRIMMER



VN	VIETNAM
-----------	----------------

MT370 / TRIMMER

Item	Sub	Parts No.	Parts Description	Qty	I/C	E/C No.	Close No.	Remark
001		691410-8	POWER SUPPLY CORD 0.75-3-2.0	1				
002		682569-2	CORD GUARD 8-85	1				
003		860580-6	NAME PLATE MT370	1				
004		418644-6	TOP COVER	1				
006		652014-1	PAN HEAD SCREW M4X8	1				
007		266326-2	TAPPING SCREW 4X18	2				
008		687124-5	STRAIN RELIEF	1				
011		651424-9	SWITCH STL106AT	1				
012		819125-7	MAKTEC LOGO LABEL	1				
013		643987-9	BRUSH HOLDER CAP 5-8	2				
014		A-88537	CARBON BRUSH CB-411A	1			83185	
014-1		B-80167	CARBON BRUSH SET CB-411A	1	O	83185	85070	
014-2		B-80391	CARBON BRUSH SET CB-411A	1	<	85070		
015		183825-8	BRACKET	1			C6769	
	C10	643986-1	BRUSH HOLDER 6X9	2			70791	
	C11	643455-2	BRUSH HOLDER 6X9	2	<	70791	C6769	
	D10		INC. 12				C6769	
015-1		183M82-6	BRACKET SET	1	<	C6769		
	C11	643455-2	BRUSH HOLDER 6X9	2	<	C6769		
	D10		INC. 12			C6769		
016		593593-9	FIELD ASS'Y 220V	1			C6769	
	C10	654221-2	RING TERMINAL	2			B6978	
	C11	654450-7	RING TERMINAL	2	O	B6978	C6769	
	C20	654501-6	CONNECTOR P-1.25	2			B6826	
	C21	654485-8	PARALLEL SPLICE	2	>	B6826	C6769	
016-1		593973-9	FIELD ASSY 220V	1	O	C6769		
	C11	654450-7	RING TERMINAL	2	O	C6769		
	C21	654485-8	PARALLEL SPLICE	2	>	C6769		
017		266340-8	TAPPING SCREW 4X65	2				
018		421868-5	LABYRINTH RUBBER RING 19	1				
019		210062-2	BALL BEARING 607ZZ	1				
020		681667-9	RESIN WASHER	1			72864	
020-1		681636-0	INSULATION WASHER	1	O	72864		
021		517498-9	ARMATURE ASS'Y 220V	1			99687	
	D10		INC. 19,20,22,23				99687	
021-1		510267-7	ARMATURE ASS'Y 220V	1	O	99687		
	D10		INC. 19,20,22,23			99687		
022		241667-7	FAN 52	1				
023		211243-1	BALL BEARING 6002ZZ	1			99687	
023-1		211247-3	BALL BEARING 6002DDW	1	O	99687		
024		267785-3	WAVE WASHER 23	1				
025		265141-1	+ PAN HEAD SCREW M4X35	4			71006	
025-1		266053-1	TAPPING SCREW 4X35	4	X	71006	71006	
025-2		266351-3	TAPPING SCREW 4X35	4	O	71006		
026		153851-1	MOTOR HOUSING COMPLETE	1			DB268	
026-1		153851-1	MOTOR HOUSING COMPLETE	1	<	DB268		
027		763663-0	COLLET CONE 6.35	1				
028		763661-4	COLLET NUT 6	1				
029		265762-9	THUMB SCREW M5X30	1			C6683	
029-1		251867-1	THUMB SCREW M5X30	1	<	C6683		
030		941101-4	FLAT WASHER 5	1				
031		265763-7	THUMB SCREW M6X25	1				
032		941151-9	FLAT WASHER 6	1				
033		252175-3	HEX. NUT M5	1			C6683	
033-1		252156-7	HEX. NUT M5-8	1	<	C6683		
034		411930-4	BASE	1				
035		410585-2	BASE PROTECTOR	1				
036		265142-9	+ PAN HEAD SCREW M4X10	4				
A01		122703-7	TRIMMER GUIDE ASS'Y	1				
	C10	251471-6	- FLAT HEAD SCREW M5	1				
	C20	265135-6	+ COUNTERSUNK HEAD SCREW M4X1	1				
	C30	265763-7	THUMB SCREW M6X25	1				
	C40	265764-5	THUMB SCREW M6	1				
	C50	317788-8	GUIDE HOLDER	1				
	C60	324378-0	ROLLER 11	1				

Interchange
O : Yes
X : No
< : the new part can be substituted for the current.
> : the current part can be substituted for the new.
S : Interchangeable as a set.

