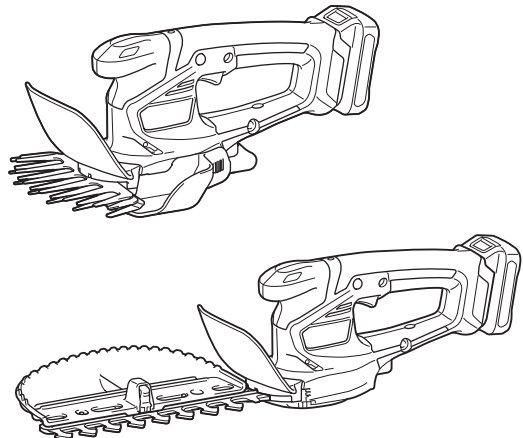
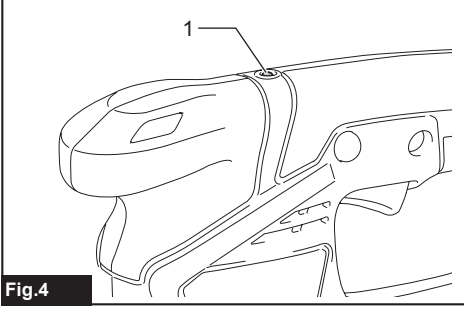
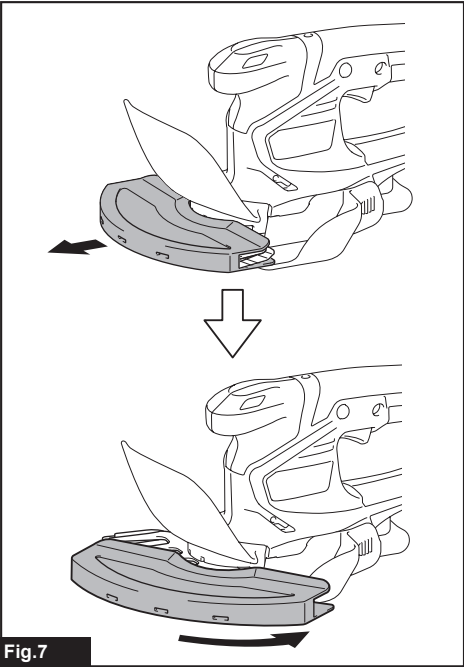
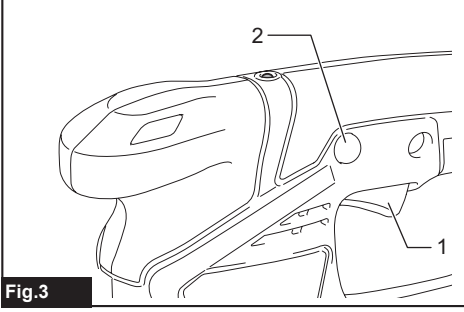
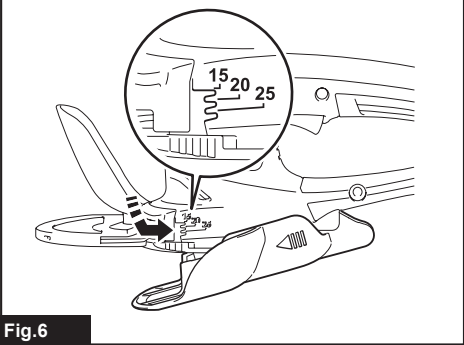
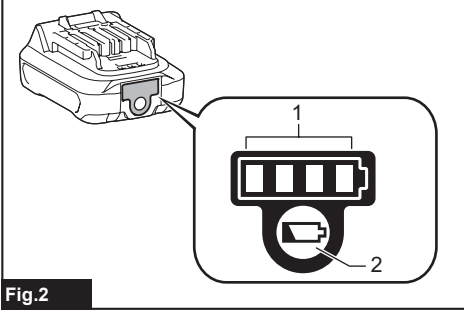
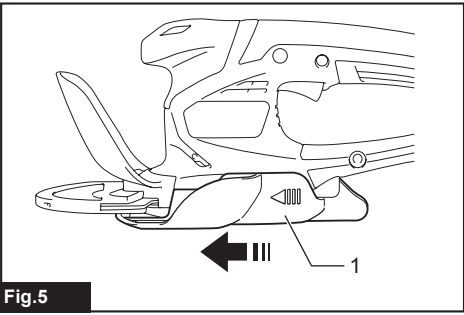
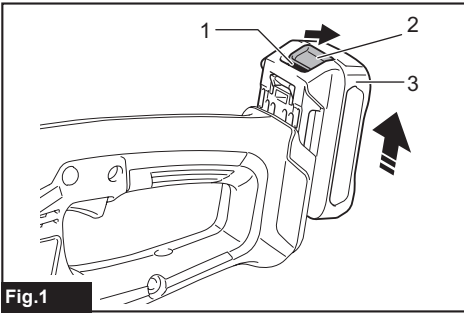


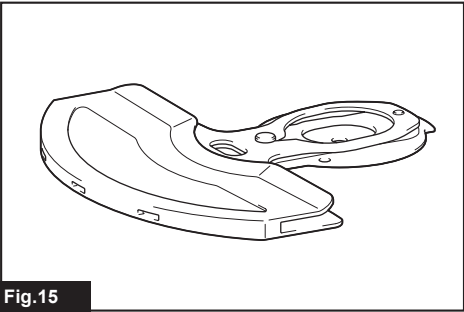
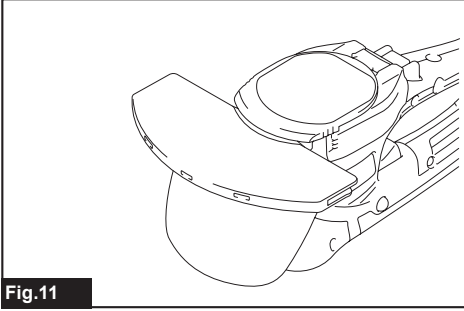
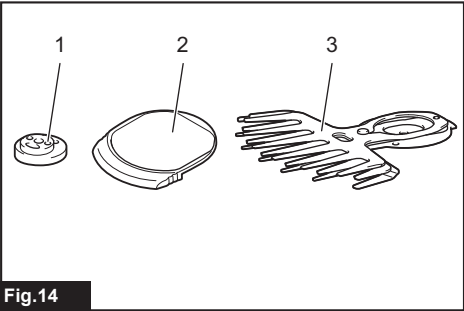
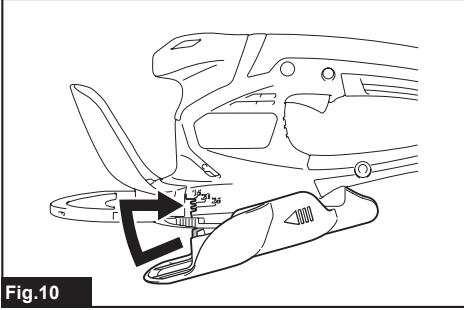
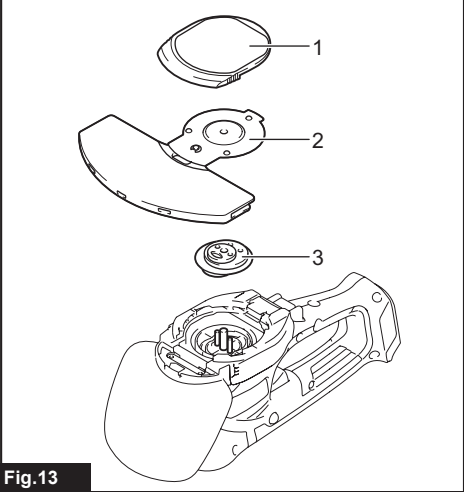
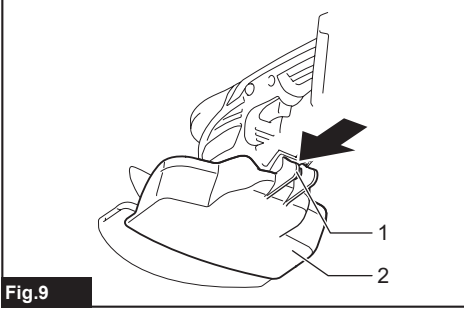
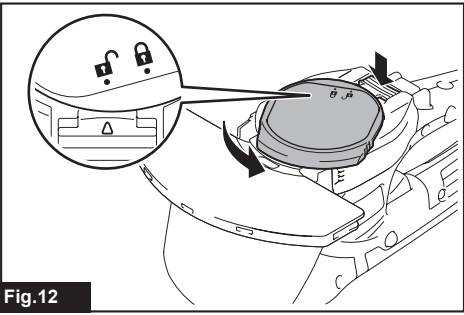
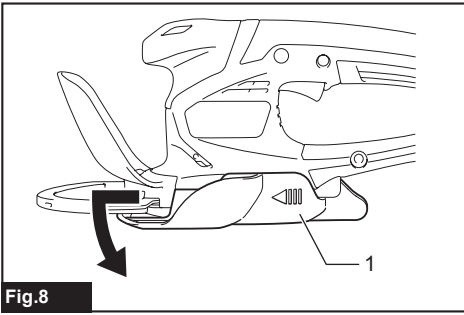


EN	Cordless Grass Shear / Cordless Hedge Trimmer	INSTRUCTION MANUAL	10
ZHCN	充电式剪草机/充电式绿篱机	使用说明书	22
ID	Pemotong Rumput Berdaya Baterai / Alat Pemotong Tanaman Berdaya Baterai	PETUNJUK PENGGUNAAN	34
VI	Máy Tia Hàng Rào Cầm Tay Hoạt Động Bằng Pin	TÀI LIỆU HƯỚNG DẪN	47
TH	เครื่องเล็มหญ้าไร้สาย / เครื่องตัดแต่ง พุ่มไม้ไร้สาย	คู่มือการใช้งาน	59

UM600D / UH201D







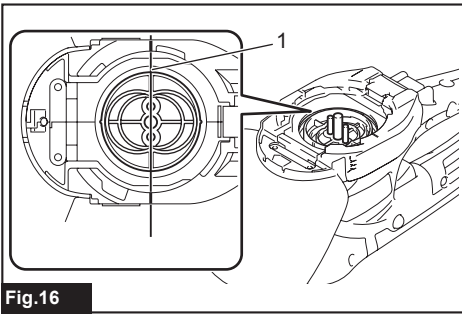


Fig.16

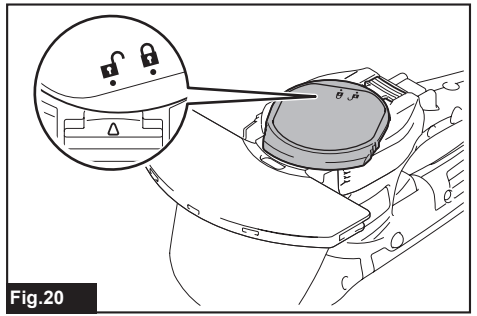


Fig.20

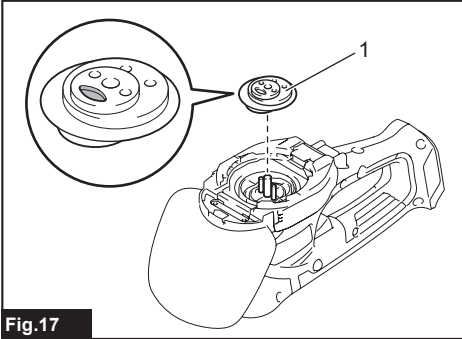


Fig.17

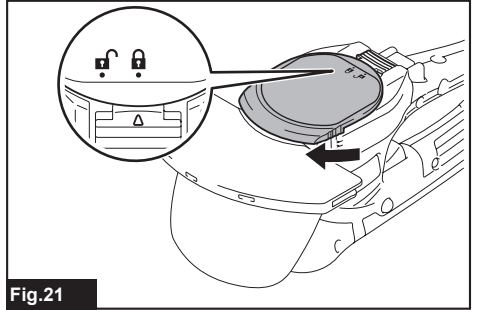


Fig.21

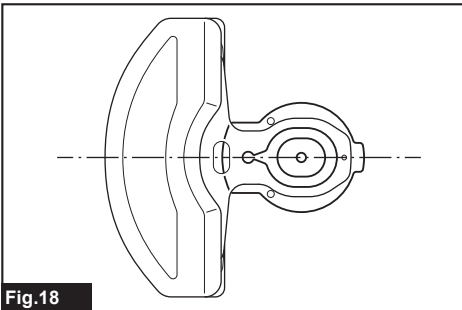


Fig.18

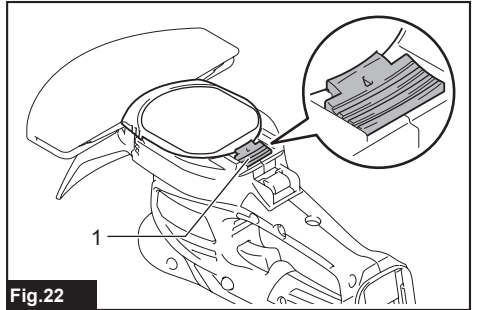


Fig.22

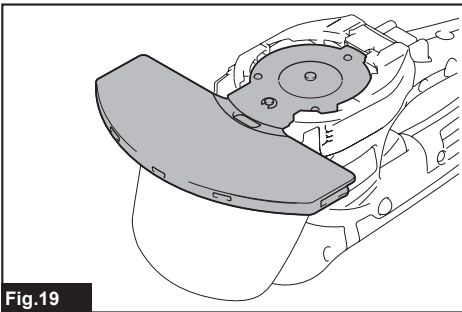


Fig.19

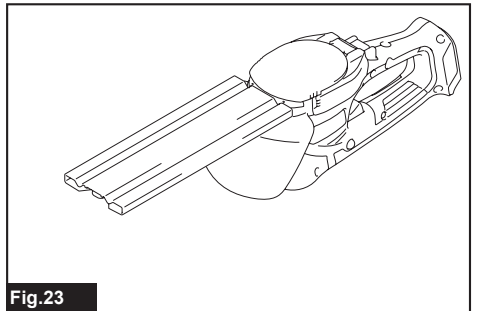


Fig.23

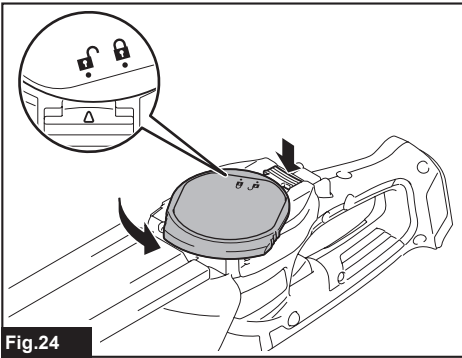


Fig.24

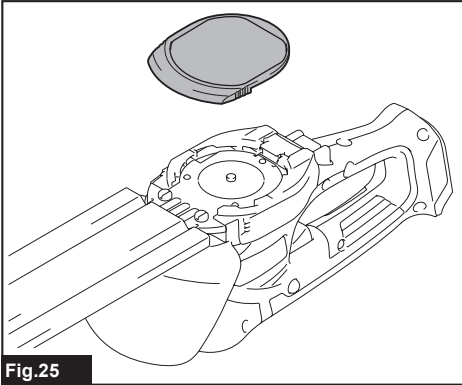


Fig.25

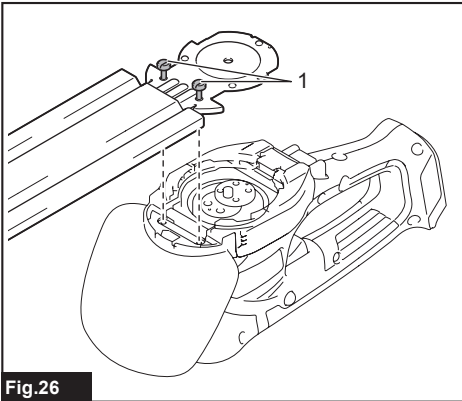


Fig.26

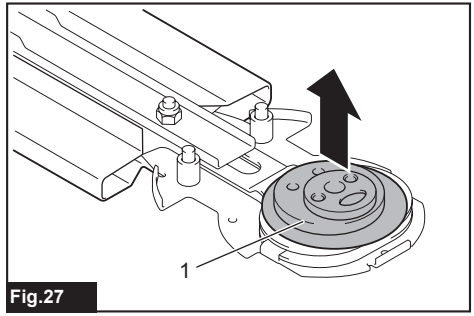


Fig.27

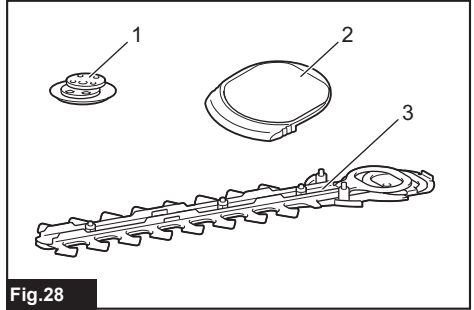


Fig.28

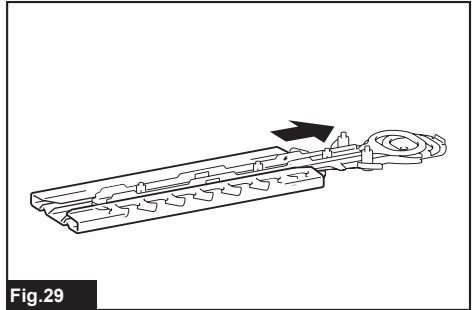


Fig.29

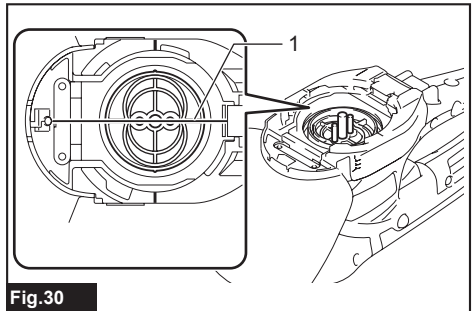


Fig.30

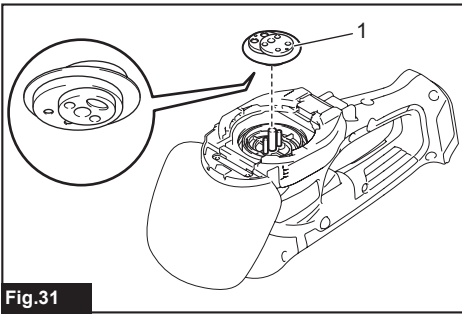


Fig.31

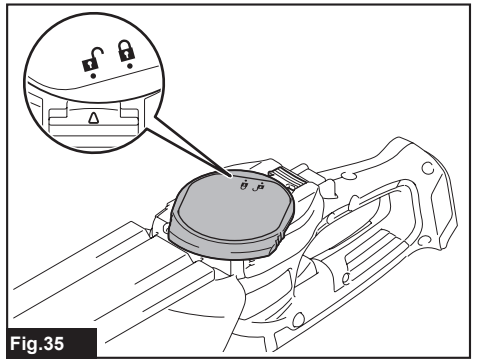


Fig.35

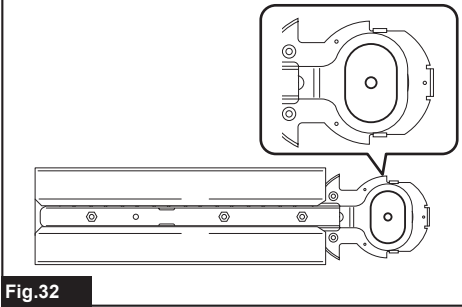


Fig.32

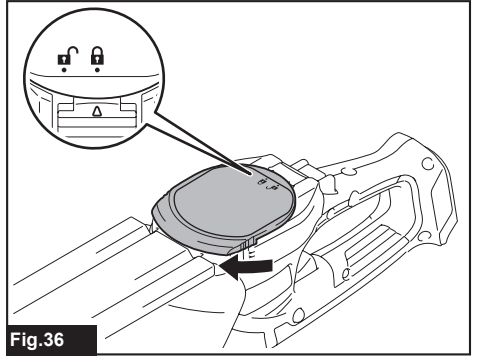


Fig.36

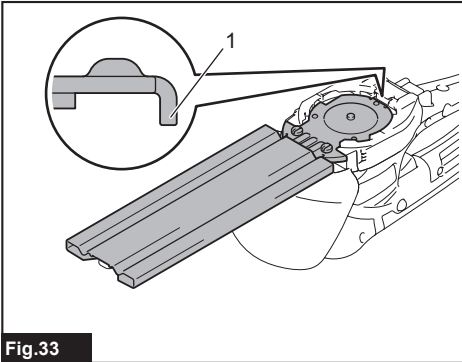


Fig.33

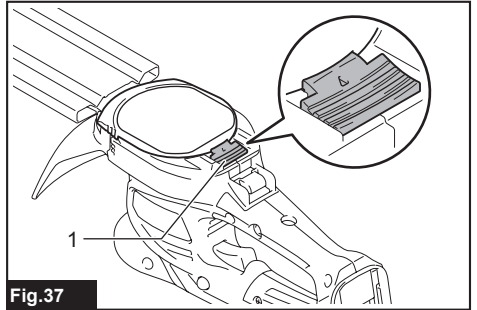


Fig.37

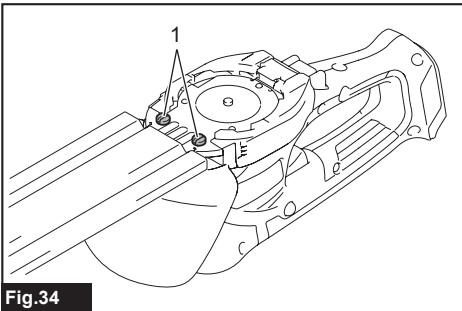


Fig.34

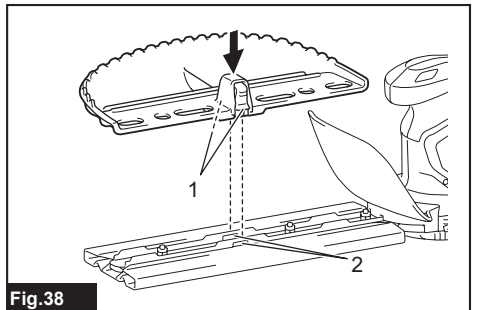


Fig.38

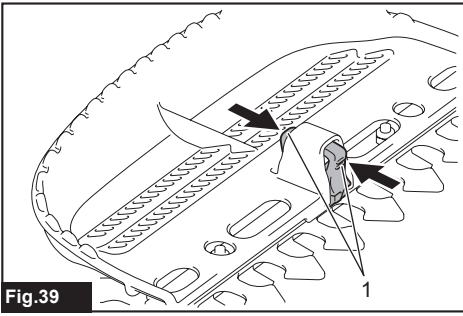


Fig.39

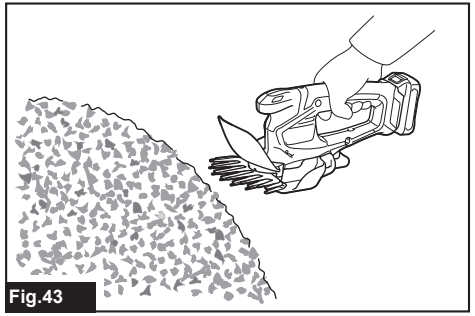


Fig.43



Fig.40

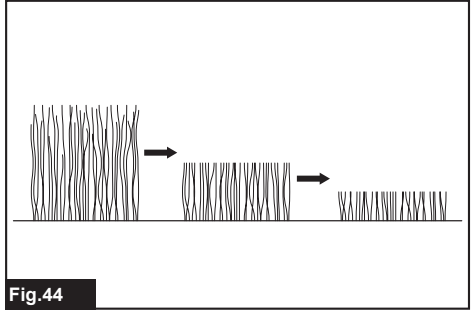


Fig.44

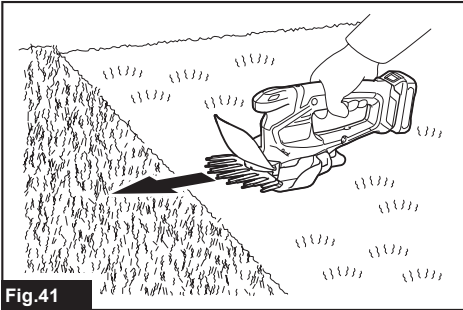


Fig.41

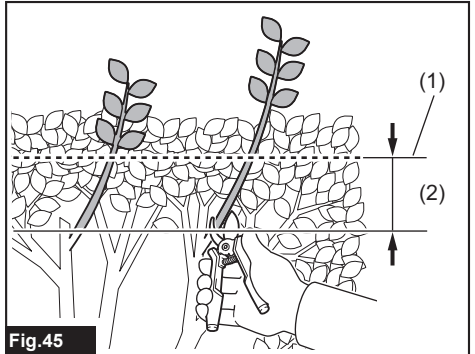


Fig.45

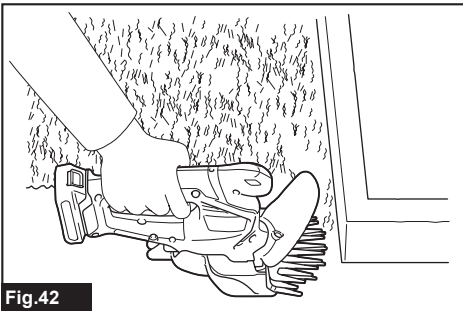


Fig.42

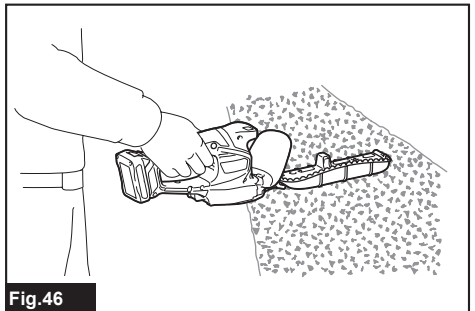


Fig.46

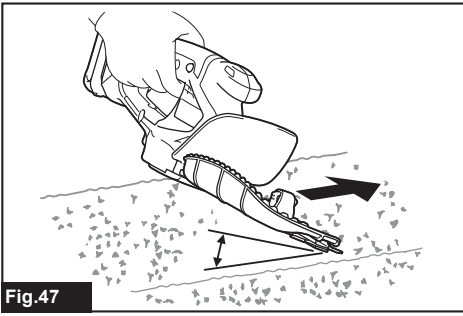


Fig.47

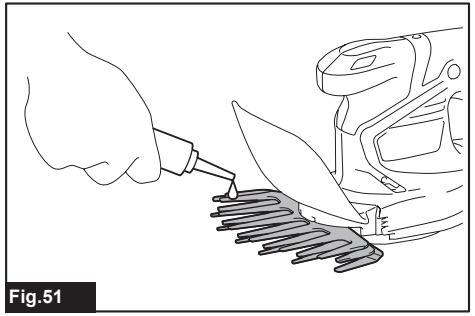


Fig.51

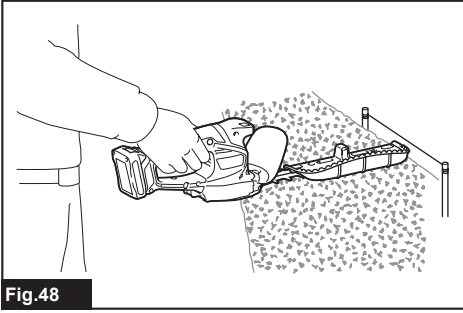


Fig.48

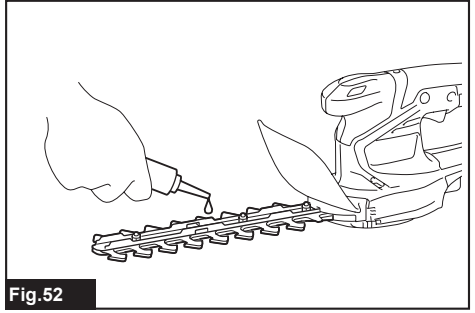


Fig.52

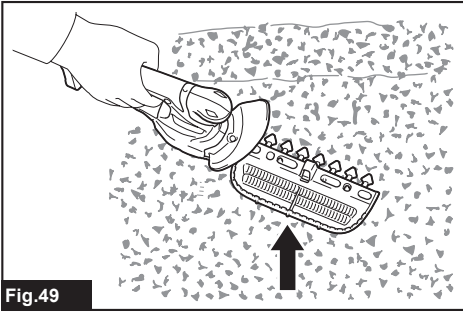


Fig.49

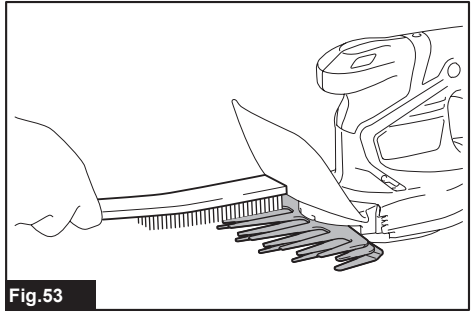


Fig.53

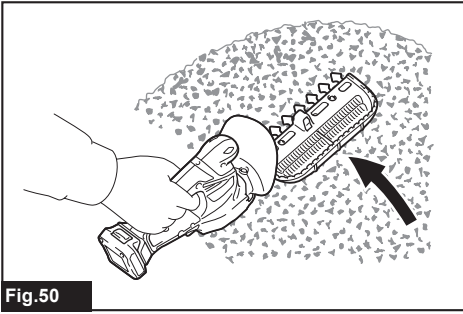


Fig.50

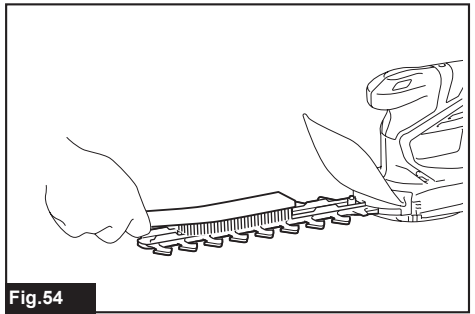
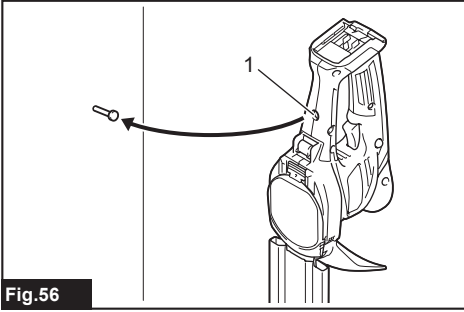
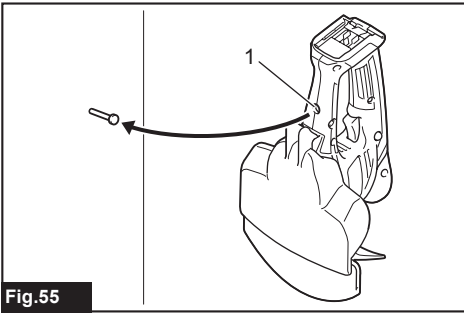


Fig.54



SPECIFICATIONS

UM600D with shear blade for grass shear installed

Model:	UM600D
Cutting width	160 mm
Strokes per minute	2,500 min ⁻¹
Dimensions (L x W x H)	347 mm x 177 mm x 131 mm
Rated voltage	D.C. 10.8 V - 12 V max
Net weight	1.3 - 1.5 kg

UH201D with shear blade for hedge trimmer installed

Model:	UH201D
Blade length	200 mm
Strokes per minute	2,500 min ⁻¹
Dimensions (L x W x H)	504 mm x 120 mm x 131 mm
Rated voltage	D.C. 10.8 V - 12 V max
Net weight	1.3 - 1.5 kg

- Due to our continuing program of research and development, the specifications herein are subject to change without notice.
- Specifications and battery cartridge may differ from country to country.
- The weight may differ depending on the attachment(s), including the battery cartridge. The lightest and heaviest combinations, according to EPTA-Procedure 01/2014, are shown in the table.

Applicable battery cartridge and charger






Battery cartridge	BL1016 / BL1021B / BL1041B
Charger	DC10SA / DC10SB / DC10WC / DC10WD / DC18RE




- Some of the battery cartridges and chargers listed above may not be available depending on your region of residence.

⚠ WARNING: Only use the battery cartridges and chargers listed above. Use of any other battery cartridges and chargers may cause injury and/or fire.

Symbols

The followings show the symbols which may be used for the equipment. Be sure that you understand their meaning before use.

	Take particular care and attention.
	Read instruction manual.
	Wear eye protection.
	DANGER - Keep hands away from blade.
	Danger; be aware of thrown objects.

	Keep bystanders away.
	Cutting means continues to run after the motor is switched off.
	Do not expose to moisture.



Only for EU countries

Due to the presence of hazardous components in the equipment, waste electrical and electronic equipment, accumulators and batteries may have a negative impact on the environment and human health. Do not dispose of electrical and electronic appliances or batteries with household waste!

In accordance with the European Directive on waste electrical and electronic equipment and on accumulators and batteries and waste accumulators and batteries, as well as their adaptation to national law, waste electrical equipment, batteries and accumulators should be stored separately and delivered to a separate collection point for municipal waste, operating in accordance with the regulations on environmental protection.

This is indicated by the symbol of the crossed-out wheeled bin placed on the equipment.



Guaranteed sound power level according to EU Outdoor Noise Directive.



Sound power level according to Australia NSW Noise Control Regulation

Intended use

UM600D with shear blade for grass shear installed

The tool is intended for cutting lawn edges or sprouts.

UH201D with shear blade for hedge trimmer installed

The tool is intended for trimming hedges.

SAFETY WARNINGS

General power tool safety warnings

⚠ WARNING: Read all safety warnings, instructions, illustrations and specifications provided with this power tool. Failure to follow all instructions listed below may result in electric shock, fire and/or serious injury.

Save all warnings and instructions for future reference.

The term "power tool" in the warnings refers to your mains-operated (corded) power tool or battery-operated (cordless) power tool.

Work area safety

1. **Keep work area clean and well lit.** Cluttered or dark areas invite accidents.
2. **Do not operate power tools in explosive atmospheres, such as in the presence of flammable liquids, gases or dust.** Power tools create sparks which may ignite the dust or fumes.
3. **Keep children and bystanders away while operating a power tool.** Distractions can cause you to lose control.

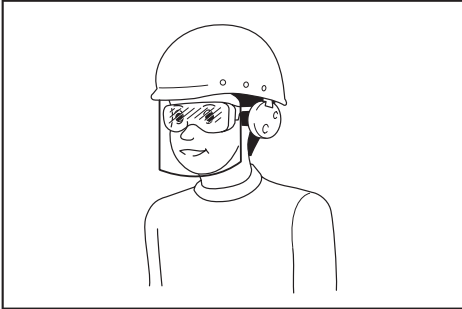
Electrical safety

1. **Power tool plugs must match the outlet. Never modify the plug in any way. Do not use any adapter plugs with earthed (grounded) power tools.** Unmodified plugs and matching outlets will reduce risk of electric shock.
2. **Avoid body contact with earthed or grounded surfaces, such as pipes, radiators, ranges and refrigerators.** There is an increased risk of electric shock if your body is earthed or grounded.
3. **Do not expose power tools to rain or wet conditions.** Water entering a power tool will increase the risk of electric shock.
4. **Do not abuse the cord. Never use the cord for carrying, pulling or unplugging the power tool. Keep cord away from heat, oil, sharp edges or moving parts.** Damaged or entangled cords increase the risk of electric shock.
5. **When operating a power tool outdoors, use an extension cord suitable for outdoor use.** Use of a cord suitable for outdoor use reduces the risk of electric shock.
6. **If operating a power tool in a damp location is unavoidable, use a residual current device (RCD) protected supply.** Use of an RCD reduces the risk of electric shock.
7. **Power tools can produce electromagnetic fields (EMF) that are not harmful to the user.** However, users of pacemakers and other similar medical devices should contact the maker of their device and/or doctor for advice before operating this power tool.

Personal safety

1. **Stay alert, watch what you are doing and use common sense when operating a power tool. Do not use a power tool while you are tired or under the influence of drugs, alcohol or medication.** A moment of inattention while operating power tools may result in serious personal injury.
2. **Use personal protective equipment. Always wear eye protection.** Protective equipment such as a dust mask, non-skid safety shoes, hard hat or hearing protection used for appropriate conditions will reduce personal injuries.
3. **Prevent unintentional starting. Ensure the switch is in the off-position before connecting to power source and/or battery pack, picking up or carrying the tool.** Carrying power tools with your finger on the switch or energising power tools that have the switch on invites accidents.
4. **Remove any adjusting key or wrench before turning the power tool on.** A wrench or a key left attached to a rotating part of the power tool may result in personal injury.
5. **Do not overreach. Keep proper footing and balance at all times.** This enables better control of the power tool in unexpected situations.
6. **Dress properly. Do not wear loose clothing or jewellery. Keep your hair and clothing away from moving parts.** Loose clothes, jewellery or long hair can be caught in moving parts.
7. **If devices are provided for the connection of dust extraction and collection facilities, ensure these are connected and properly used.** Use of dust collection can reduce dust-related hazards.

8. **Do not let familiarity gained from frequent use of tools allow you to become complacent and ignore tool safety principles.** A careless action can cause severe injury within a fraction of a second.
9. **Always wear protective goggles to protect your eyes from injury when using power tools.** The goggles must comply with ANSI Z87.1 in the USA, EN 166 in Europe, or AS/NZS 1336 in Australia/New Zealand. In Australia/New Zealand, it is legally required to wear a face shield to protect your face, too.
7. **Use the power tool, accessories and tool bits etc. in accordance with these instructions, taking into account the working conditions and the work to be performed.** Use of the power tool for operations different from those intended could result in a hazardous situation.
8. **Keep handles and grasping surfaces dry, clean and free from oil and grease.** Slippery handles and grasping surfaces do not allow for safe handling and control of the tool in unexpected situations.
9. **When using the tool, do not wear cloth work gloves which may be entangled.** The entanglement of cloth work gloves in the moving parts may result in personal injury.



It is an employer's responsibility to enforce the use of appropriate safety protective equipments by the tool operators and by other persons in the immediate working area.

Power tool use and care

1. **Do not force the power tool. Use the correct power tool for your application.** The correct power tool will do the job better and safer at the rate for which it was designed.
2. **Do not use the power tool if the switch does not turn it on and off.** Any power tool that cannot be controlled with the switch is dangerous and must be repaired.
3. **Disconnect the plug from the power source and/or remove the battery pack, if detachable, from the power tool before making any adjustments, changing accessories, or storing power tools.** Such preventive safety measures reduce the risk of starting the power tool accidentally.
4. **Store idle power tools out of the reach of children and do not allow persons unfamiliar with the power tool or these instructions to operate the power tool.** Power tools are dangerous in the hands of untrained users.
5. **Maintain power tools and accessories. Check for misalignment or binding of moving parts, breakage of parts and any other condition that may affect the power tool's operation. If damaged, have the power tool repaired before use.** Many accidents are caused by poorly maintained power tools.
6. **Keep cutting tools sharp and clean.** Properly maintained cutting tools with sharp cutting edges are less likely to bind and are easier to control.

Battery tool use and care

1. **Recharge only with the charger specified by the manufacturer.** A charger that is suitable for one type of battery pack may create a risk of fire when used with another battery pack.
2. **Use power tools only with specifically designated battery packs.** Use of any other battery packs may create a risk of injury and fire.
3. **When battery pack is not in use, keep it away from other metal objects, like paper clips, coins, keys, nails, screws or other small metal objects, that can make a connection from one terminal to another.** Shorting the battery terminals together may cause burns or a fire.
4. **Under abusive conditions, liquid may be ejected from the battery; avoid contact. If contact accidentally occurs, flush with water. If liquid contacts eyes, additionally seek medical help.** Liquid ejected from the battery may cause irritation or burns.
5. **Do not use a battery pack or tool that is damaged or modified.** Damaged or modified batteries may exhibit unpredictable behaviour resulting in fire, explosion or risk of injury.
6. **Do not expose a battery pack or tool to fire or excessive temperature.** Exposure to fire or temperature above 130 °C may cause explosion.
7. **Follow all charging instructions and do not charge the battery pack or tool outside the temperature range specified in the instructions.** Charging improperly or at temperatures outside the specified range may damage the battery and increase the risk of fire.

Service

1. **Have your power tool serviced by a qualified repair person using only identical replacement parts.** This will ensure that the safety of the power tool is maintained.
2. **Never service damaged battery packs.** Service of battery packs should only be performed by the manufacturer or authorized service providers.
3. **Follow instruction for lubricating and changing accessories.**

Cordless Grass Shear Safety Warnings

General instructions

1. To ensure correct operation, user has to read this instruction manual to make himself familiar with the handling of the equipment. Users insufficiently informed will risk danger to themselves as well as others due to improper handling.
2. Never allow children, persons with reduced physical, sensory or mental capabilities or lack of experience and knowledge or people unfamiliar with these instructions to use the machine, local regulations may restrict the age of the operator.
3. Use the equipment with the utmost care and attention.
4. Operate the equipment only if you are in good physical condition. Perform all work calmly and carefully. Use common sense and keep in mind that the operator or user is responsible for accidents or hazards occurring to other people or their property.
5. Never operate the machine while people, especially children, or pets are nearby.
6. The motor is to be switched off immediately in case that the equipment shows any problem or abnormal sign.
7. Switch off and remove the battery cartridge when resting and when leaving the equipment unattended, and place it in a safe location to prevent danger to others or damage to the equipment.
8. Avoid using the machine in bad weather conditions especially when there is a risk of lightning.

Personal protective equipment

1. Wear eye protection and stout shoes at all times while operating the machine.
2. Always wear substantial footwear and long trousers while operating the machine.

Starting up the equipment

1. Make sure that there are no children or other people nearby, also pay attention to any animals in the working vicinity. Otherwise stop using the equipment.
2. Before use always check that the equipment is safe for operation. Check the security of the cutting tool and the guard and the switch trigger/lever for easy and proper action. Check for clean and dry handles and test the function of the start/stop.
3. Check damaged parts before further use of the equipment. A guard or other part that is damaged should be carefully checked to determine that it will operate properly and perform its intended function. Check for alignment of moving parts, binding of moving parts, breakage of parts, mounting, and any other condition that may affect its operation. A guard or other part that is damaged should be properly repaired or replaced by our authorized service center unless indicated elsewhere in this manual.

4. Switch on the motor only when the hands and feet are away from the cutting tool.
5. Before starting make sure that the cutting tool has no contact with any objects.

Method of operation

1. Only use the equipment in good light and visibility. During the winter season beware of slippery or wet areas, ice and snow (risk of slipping). Always ensure a safe footing on slopes and be sure to walk and never run.
2. Take care against injury to feet and hands from the cutting tool.
3. Never stand on a ladder and run the equipment.
4. Never climb up into trees to perform cutting operation with the equipment.
5. Never work on unstable surfaces.
6. Remove sand, stones, nails etc. found within the working range. Foreign particles may damage the cutting tool and can cause dangerous kick-backs.
7. Should the cutting tool hit stones or other hard objects, immediately switch off the motor and inspect the cutting tool.
8. Inspect the cutting tool at short regular intervals for damage (detection of hairline cracks by means of tapping-noise test).
9. Before commencing cutting, the cutting tool must have reached full working speed.
10. The cutting tool has to be equipped with the appropriate guard. Never run the equipment with damaged guards or without guards in place!
11. All protective installations and guards supplied with the equipment must be used during operation.
12. Always remove the battery cartridge from the equipment:
 - whenever leaving the equipment unattended;
 - before clearing a blockage;
 - before checking, cleaning or working on the equipment;
 - after striking a foreign object;
 - whenever the equipment starts vibrating abnormally.
13. Always ensure that the ventilation openings are kept clear of debris.
14. Cutting means continues to run after the motor is switched off.
15. If the blades stop moving due to the stuck of foreign objects between the blades during operation, switch off the tool and remove the battery cartridge, and then remove the foreign objects using tools such as pliers. Removing the foreign objects by hand may cause an injury for the reason that the blades may move in reaction to removing the foreign objects.

Cutting Tools

Employ only the correct cutting tool for the job in hand.

Maintenance instructions

1. **The condition of the equipment, in particular of the cutting tool of the protective devices must be checked before commencing work.**
2. **Turn off the motor and remove the battery cartridge before carrying out maintenance, replacing cutting tools or cleaning the equipment or cutting tool.**
3. **When not in use, store the equipment indoors in dry and high or locked-up place - out of the reach of children. Clean and maintain before storage.**

SAVE THESE INSTRUCTIONS.

⚠WARNING: DO NOT let comfort or familiarity with product (gained from repeated use) replace strict adherence to safety rules for the subject product. **MISUSE** or failure to follow the safety rules stated in this instruction manual may cause serious personal injury.

Cordless Hedge Trimmer Safety Warnings

1. **Keep all parts of the body away from the blade. Do not remove cut material or hold material to be cut when blades are moving.** Blades continue to move after the switch is turned off. A moment of inattention while operating the hedge trimmer may result in serious personal injury.
2. **Carry the hedge trimmer by the handle with the blade stopped and taking care not to operate any power switch.** Proper carrying of the hedge trimmer will decrease the risk of inadvertent starting and resultant personal injury from the blades.
3. **When transporting or storing the hedge trimmer, always fit the blade cover.** Proper handling of the hedge trimmer will decrease the risk of personal injury from the blades.
4. **When clearing jammed material or servicing the unit, make sure all power switches are off and the battery pack is removed or disconnected.** Unexpected actuation of the hedge trimmer while clearing jammed material or servicing may result in serious personal injury.
5. **Hold the hedge trimmer by insulated gripping surfaces only, because the blade may contact hidden wiring.** Blades contacting a "live" wire may make exposed metal parts of the hedge trimmer "live" and could give the operator an electric shock.
6. **Keep all power cords and cables away from cutting area.** Power cords or cables may be hidden in hedges or bushes and can be accidentally cut by the blade.
7. **Do not use the hedge trimmer in bad weather conditions, especially when there is a risk of lightning.** This decreases the risk of being struck by lightning.
8. **DANGER - Keep hands away from blade.** Contact with blade will result in serious personal injury.
9. **Overreaching with a hedge trimmer, particularly from a ladder, is extremely dangerous.** Do not work while standing on anything wobbly or infirm.
10. **Do not use the hedge trimmer in the rain or in wet or very damp conditions.** The electric motor is not waterproof.
11. **First-time users should have an experienced hedge trimmer user show them how to use the trimmer.**
12. **The hedge trimmer must not be used by children or young persons under 18 years of age.** Young persons over 16 years of age may be exempted from this restriction if they are undergoing training under the supervision of an expert.
13. **Use the hedge trimmer only if you are in good physical condition.** If you are tired, your attention will be reduced. Be especially careful at the end of a working day. Perform all work calmly and carefully. The user is responsible for all damages to third parties.
14. **Never use the trimmer when under the influence of alcohol, drugs or medication.**
15. **Work gloves of stout leather are part of the basic equipment of the hedge trimmer and must always be worn when working with it. Also wear sturdy shoes with anti-skid soles.**
16. **Before starting work check to make sure that the trimmer is in good and safe working order. Ensure guards are fitted properly. The hedge trimmer must not be used unless fully assembled.**
17. **Make sure you have a secure footing before starting operation.**
18. **Hold the tool firmly when using the tool.**
19. **Do not operate the tool at no-load unnecessarily.**
20. **Immediately switch off the motor and remove the battery cartridge if the cutter should come into contact with a fence or other hard object. Check the cutter for damage, and if damaged repair immediately.**
21. **Before checking the cutter, taking care of faults, or removing material caught in the cutter, always switch off the trimmer and remove the battery cartridge.**
22. **Switch off the trimmer and remove the battery cartridge before doing any maintenance work.**
23. **When moving the hedge trimmer to another location, including during work, always remove the battery cartridge and put the blade cover on the cutter blades. Never carry or transport the trimmer with the cutter running. Never grasp the cutter with your hands.**
24. **Clean the hedge trimmer and especially the cutter after use, and before putting the trimmer into storage for extended periods. Lightly oil the cutter and put on the cover.** The cover supplied with the unit can be hung on the wall, providing a safe and practical way to store the hedge trimmer.
25. **Store the hedge trimmer with the cover on, in a dry room. Keep it out of reach of children. Never store the trimmer outdoors.**

26. Never point the shear blades to yourself or others.
27. If the blades stop moving due to the stuck of foreign objects between the blades during operation, switch off the tool and remove the battery cartridge, and then remove the foreign objects using tools such as pliers. Removing the foreign objects by hand may cause an injury for the reason that the blades may move in reaction to removing the foreign objects.
28. Avoid dangerous environment. Don't use the tool in damp or wet locations or expose it to rain. Water entering the tool will increase the risk of electric shock.
29. Do not dispose of the battery(ies) in a fire. The cell may explode. Check with local codes for possible special disposal instructions.
30. Do not open or mutilate the battery(ies). Released electrolyte is corrosive and may cause damage to the eyes or skin. It may be toxic if swallowed.
31. Do not charge battery in rain, or in wet locations.
32. Check the hedges and bushes for foreign objects, such as wire fences or hidden wiring before operating the tool.
6. Do not store and use the tool and battery cartridge in locations where the temperature may reach or exceed 50 °C (122 °F).
7. Do not incinerate the battery cartridge even if it is severely damaged or is completely worn out. The battery cartridge can explode in a fire.
8. Do not nail, cut, crush, throw, drop the battery cartridge, or hit against a hard object to the battery cartridge. Such conduct may result in a fire, excessive heat, or explosion.
9. Do not use a damaged battery.
10. The contained lithium-ion batteries are subject to the Dangerous Goods Legislation requirements.
For commercial transports e.g. by third parties, forwarding agents, special requirement on packaging and labeling must be observed.
For preparation of the item being shipped, consulting an expert for hazardous material is required. Please also observe possibly more detailed national regulations.
Tape or mask off open contacts and pack up the battery in such a manner that it cannot move around in the packaging.
11. When disposing of the battery cartridge, remove it from the tool and dispose of it in a safe place. Follow your local regulations relating to disposal of battery.
12. Use the batteries only with the products specified by Makita. Installing the batteries to non-compliant products may result in a fire, excessive heat, explosion, or leak of electrolyte.
13. If the tool is not used for a long period of time, the battery must be removed from the tool.
14. During and after use, the battery cartridge may take on heat which can cause burns or low temperature burns. Pay attention to the handling of hot battery cartridges.
15. Do not touch the terminal of the tool immediately after use as it may get hot enough to cause burns.
16. Do not allow chips, dust, or soil stuck into the terminals, holes, and grooves of the battery cartridge. It may result in poor performance or breakdown of the tool or battery cartridge.
17. Unless the tool supports the use near high-voltage electrical power lines, do not use the battery cartridge near high-voltage electrical power lines. It may result in a malfunction or breakdown of the tool or battery cartridge.
18. Keep the battery away from children.

SAVE THESE INSTRUCTIONS.

⚠WARNING: DO NOT let comfort or familiarity with product (gained from repeated use) replace strict adherence to safety rules for the subject product. MISUSE or failure to follow the safety rules stated in this instruction manual may cause serious personal injury.

Important safety instructions for battery cartridge

1. Before using battery cartridge, read all instructions and cautionary markings on (1) battery charger, (2) battery, and (3) product using battery.
2. Do not disassemble or tamper with the battery cartridge. It may result in a fire, excessive heat, or explosion.
3. If operating time has become excessively shorter, stop operating immediately. It may result in a risk of overheating, possible burns and even an explosion.
4. If electrolyte gets into your eyes, rinse them out with clear water and seek medical attention right away. It may result in loss of your eyesight.
5. Do not short the battery cartridge:
 - (1) Do not touch the terminals with any conductive material.
 - (2) Avoid storing battery cartridge in a container with other metal objects such as nails, coins, etc.
 - (3) Do not expose battery cartridge to water or rain.

A battery short can cause a large current flow, overheating, possible burns and even a breakdown.

SAVE THESE INSTRUCTIONS.

⚠CAUTION: Only use genuine Makita batteries. Use of non-genuine Makita batteries, or batteries that have been altered, may result in the battery bursting causing fires, personal injury and damage. It will also void the Makita warranty for the Makita tool and charger.

Tips for maintaining maximum battery life

1. Charge the battery cartridge before completely discharged. Always stop tool operation and charge the battery cartridge when you notice less tool power.
2. Never recharge a fully charged battery cartridge. Overcharging shortens the battery service life.
3. Charge the battery cartridge with room temperature at 10 °C - 40 °C (50 °F - 104 °F). Let a hot battery cartridge cool down before charging it.
4. When not using the battery cartridge, remove it from the tool or the charger.

FUNCTIONAL DESCRIPTION

CAUTION: Always be sure that the tool is switched off and the battery cartridge is removed before adjusting or checking function on the tool.

Using the tool as cordless hedge trimmer/grass shear

For UM600D

This tool can be used as cordless hedge trimmer by installing the shear blades for hedge trimmer (optional accessory).

For UH201D

This tool can be used as cordless grass shear by installing the shear blades for grass shear (optional accessory).

Installing or removing battery cartridge

CAUTION: Always switch off the tool before installing or removing of the battery cartridge.

CAUTION: Hold the tool and the battery cartridge firmly when installing or removing battery cartridge. Failure to hold the tool and the battery cartridge firmly may cause them to slip off your hands and result in damage to the tool and battery cartridge and a personal injury.

► **Fig.1:** 1. Red indicator 2. Button 3. Battery cartridge

To remove the battery cartridge, slide it from the tool while sliding the button on the front of the cartridge.

To install the battery cartridge, align the tongue on the battery cartridge with the groove in the housing and slip it into place. Insert it all the way until it locks in place with a little click. If you can see the red indicator as shown in the figure, it is not locked completely.

CAUTION: Always install the battery cartridge fully until the red indicator cannot be seen. If not, it may accidentally fall out of the tool, causing injury to you or someone around you.

CAUTION: Do not install the battery cartridge forcibly. If the cartridge does not slide in easily, it is not being inserted correctly.

Indicating the remaining battery capacity

Only for battery cartridges with the indicator

► **Fig.2:** 1. Indicator lamps 2. Check button

Press the check button on the battery cartridge to indicate the remaining battery capacity. The indicator lamps light up for a few seconds.

Indicator lamps		Remaining capacity
Lighted	Off	
■ ■ ■ ■	□	75% to 100%
■ ■ ■ □	□	50% to 75%
■ ■ □ □	□ □	25% to 50%
■ □ □ □	□ □ □ □	0% to 25%

NOTE: Depending on the conditions of use and the ambient temperature, the indication may differ slightly from the actual capacity.

Tool / battery protection system

The tool is equipped with a tool/battery protection system. This system automatically cuts off power to the motor to extend tool and battery life. The tool will automatically stop during operation if the tool or battery is placed under one of the following conditions:

Overload protection

When the battery is operated in a manner that causes it to draw an abnormally high current, the tool automatically stops. In this situation, turn the tool off and stop the application that caused the tool to become overloaded. Then turn the tool on to restart.

Overheat protection

When the tool or battery is overheated, the tool stops automatically and the lamp blinks. In this case, let the tool and battery cool before turning the tool on again.

Overdischarge protection

When the battery capacity is not enough, the tool stops automatically. If you turn the tool on, the motor runs again but stops soon. In this case, remove the battery from the tool and charge the battery.

Switch action

⚠ WARNING: Before installing the battery cartridge into the tool, always check to see that the switch trigger actuates properly and returns to the “OFF” position when released.

⚠ WARNING: For your safety, this tool is equipped with the lock-off button which prevents the tool from unintended starting. Never use the tool if it starts when you pull the switch trigger without pressing the lock-off button. Ask your local Makita Service Center for repairs.

⚠ WARNING: Never disable the lock function or tape down the lock-off button.

NOTICE: Do not pull the switch trigger forcibly without pressing the lock-off button. The switch may break.

► Fig.3: 1. Switch trigger 2. Lock-off button

To prevent the switch trigger from being accidentally pulled, a lock-off button is provided.

To start the tool, press the lock-off button and pull the switch trigger. Release the switch trigger to stop. The lock-off button can be pressed from either the right or left side.

Indicator lamp

The indicator lamp blinks or lights up when the remaining battery capacity is low or empty. The indicator lamp also lights up when the tool becomes overloaded.

► Fig.4: 1. Indicator lamp

Lamp status and action to be taken

Indicator lamp	Status	Action to be taken
The lamp blinks red.	The remaining battery capacity is low.	Charge the battery.
The lamp lights up red. *	The tool has stopped because the remaining battery capacity is empty.	Charge the battery.
	The tool has stopped due to overload.	Turn off the tool.

* The time at which the indicator lamp lights up varies depending on the temperature around the work area and the battery cartridge conditions.

Adjusting the shearing height (for grass shear)

⚠ CAUTION: When changing the shearing height, be sure to attach the blade cover and be careful not to trap fingers between the tool and grass receiver.

The shearing height can be set to three levels (15 mm, 20 mm, and 25 mm) by changing the fixed position of the grass receiver. The shearing height without the grass receiver is about 10 mm.

1. Slide the grass receiver toward the front of the tool.

► Fig.5: 1. Grass receiver

2. Change the fixed position of the grass receiver by moving it in the direction of the arrow.

► Fig.6

NOTE: The shearing height value is a guideline. The actual shearing height may vary depending on the condition of the lawn or the ground.

NOTE: Try a test shearing in a less conspicuous place to get your desired height.

ASSEMBLY

⚠ CAUTION: Always be sure that the tool is switched off and the battery cartridge is removed before carrying out any work on the tool.

⚠ CAUTION: When replacing the shear blades, always wear gloves and attach the blade cover so that your hands and face do not directly contact the blades.

NOTICE: When replacing the shear blades, do not wipe off grease from the gear and crank.

Installing or removing the blade cover

⚠ CAUTION: Be careful not to touch the blades when installing or removing the blade cover.

To remove the blade cover, pull it slightly, and then slide it sideways. To install the blade cover, perform the steps in reverse.

► Fig.7

Installing or removing the grass receiver

⚠ CAUTION: When installing or removing the grass receiver, be sure to attach the blade cover and be careful not to trap your fingers between the tool and grass receiver.

Removing the grass receiver

1. Release the protrusions on the grass receiver from the grooves on the tool while sliding the grass receiver toward the front of the tool.

► Fig.8: 1. Grass receiver

2. Release the hinge of the grass receiver from the tool.

Installing the grass receiver

1. Hook the hinge of the grass receiver on the groove of the tool.

► Fig.9: 1. Hinge 2. Grass receiver

2. Align the protrusions on the grass receiver with the grooves on the tool by sliding the grass receiver toward the front of the tool and moving it in the direction of the arrow.

► Fig.10

NOTICE: Do not attach the hinge of the grass receiver to the tool forcibly after aligning the protrusions on the grass receiver with the grooves on the tool.



Installing or removing the shear blades for grass shear

NOTICE: If the parts other than the shear blades such as the crank are worn out, ask Makita Authorized Service Centers for parts replacement or repairs.

Removing the shear blades

1. Remove the grass receiver and place the tool upside down.

► Fig.11

2. While pressing the lock lever, turn the undercover counterclockwise until  on the undercover is aligned with  on the lock lever.

► Fig.12

3. Remove the undercover, shear blades, and crank.

► Fig.13: 1. Undercover 2. Shear blades 3. Crank

Installing the shear blades

1. Prepare the crank, undercover, and new shear blades.

► Fig.14: 1. Crank 2. Undercover 3. Shear blades

2. Remove the blade cover from the old shear blades, and then attach it to the new ones.

► Fig.15

3. Adjust the three pins so that they are lined up on the alignment line.

► Fig.16: 1. Alignment line

4. Apply a small amount of grease to the periphery of the crank. Attach the crank to the pins with the small and large rounds facing up.



► Fig.17: 1. Crank

5. Adjust the blades and base plate so that the hole in the base plate and the two protrusions on the blades are lined up.


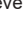
► Fig.18

6. Turn the shear blades upside down and install them so that the pins on the tool fit in the hole on the base plate. Make sure that the shear blades are fixed securely in place.

► Fig.19

7. Place the undercover so that  on the undercover is aligned with  on the lock lever.

► Fig.20

8. While pressing the undercover, turn the undercover clockwise until  on the undercover is aligned with  on the lock lever.

► Fig.21

9. Make sure that the lock lever fits in the groove on the undercover.

► Fig.22: 1. Lock lever

CAUTION: Never use the tool without installing the undercover.

10. Remove the blade cover, and then turn on the tool to check that it works properly.

NOTICE: If the shear blades do not operate properly, the blades are not engaging the crank properly. Remove the blades and install them again.

Installing or removing the shear blades for hedge trimmer



CAUTION: Attach the blade cover before removing or installing the shear blades.

NOTICE: If the parts other than the shear blades such as the crank are worn out, ask Makita Authorized Service Centers for parts replacement or repairs.

Removing the shear blades

1. Place the tool upside down.

► Fig.23

2. While pressing the lock lever, turn the undercover counterclockwise until  on the undercover is aligned with  on the lock lever.

► Fig.24

3. Remove the undercover.

► Fig.25

4. Loosen the two screws with a screwdriver and remove the shear blades.

► Fig.26: 1. Screws

NOTE: The shear blades can be removed without removing the screws.

5. Remove the crank from the shear blades.

► Fig.27: 1. Crank

NOTE: The crank may remain in the tool.

Attach the blade cover and the storage case to the removed shear blades, and then store the blades.

Installing the shear blades

1. Prepare the crank, undercover, and new shear blades.

► Fig.28: 1. Crank 2. Undercover 3. Shear blades

2. Attach the blade cover to the shear blades.

► Fig.29

3. Adjust the three pins so that they are lined up on the alignment line.

► **Fig.30:** 1. Alignment line

4. Apply a small amount of grease to the periphery of the crank. Attach the crank to the pins with the small and large rounds facing down.

► **Fig.31:** 1. Crank

5. Slide the shear blades so that the hole on the base plate is positioned at the center of the rings of the blades.



► **Fig.32**

6. Turn the shear blades upside down and install them so that the pin on the tool fits in the hole on the shear blades. Insert the claw of the base plate into the groove on the tool. Make sure that the shear blades are fixed securely in place.



► **Fig.33:** 1. Claw

7. Tighten the two screws firmly with a screwdriver.

► **Fig.34:** 1. Screws

8. Place the undercover so that  on the undercover is aligned with  on the lock lever.

► **Fig.35**

9. While pressing the undercover, turn it clockwise until  on the undercover is aligned with  on the lock lever.

► **Fig.36**

10. Make sure that the lock lever fits in the groove on the undercover.

► **Fig.37:** 1. Lock lever

CAUTION: Never use the tool without installing the undercover.

11. Remove the blade cover, and then turn on the tool to check that it works properly.

NOTICE: If the shear blades do not operate properly, the blades are not engaging the crank properly. Remove the blades and install them again.

Installing or removing the chip receiver

Optional accessory

CAUTION: When installing or removing the chip receiver, always wear gloves and attach the blade cover so that your hands and face do not directly contact the blade.

The chip receiver gathers discarded leaves and makes clean-up afterward much easier. It can be installed on either side of the tool.

To install the chip receiver, press it against the shear blades so that the hooks fit into the holes of the shear blades.

► **Fig.38:** 1. Hooks 2. Holes

To remove the chip receiver, press the levers on both sides to release the hooks.

► **Fig.39:** 1. Levers

NOTICE: Never try to remove the chip receiver by an excessive force with its hooks locked in the holes of the blades.

OPERATION

WARNING: Before shearing, clear away sticks and stones from the shearing area. Furthermore, clear away any weeds from the shearing area in advance.

► **Fig.40**

WARNING: Keep hands away from blades.

CAUTION: Avoid operating the tool in very hot weather as much as practicable. When operating the tool, be careful of your physical condition.

Shearing (for grass shear)

Turn the tool on after adjusting the shearing height and hold it so that the bottom of the tool rests on the ground. Gently move the tool forward.

► **Fig.41**

When trimming around curbs, fences or trees, move the tool along them. Be careful that the blades do not come into contact with them.

► **Fig.42**

When trimming sprouts or foliage of a small tree, trim little by little.

► **Fig.43**

Trim large branches to the desired height using branch cutters before using this tool.

NOTICE: Do not use the tool in a way that causes the motor to stop or to rotate extremely slowly.

NOTICE: Do not attempt to cut thick branches.

NOTICE: Do not allow the shear blades to contact the ground during operation. The blades will be dulled, causing poor performance.

NOTICE: Do not trim the wet grass or foliage of small trees.

Cutting long lawn

Do not try to cut long grass all at once. Instead, cut the lawn in steps. Leave a day or two between cuts until the lawn becomes evenly short.

► **Fig.44**

NOTE: Cutting long grass to a short length all at once may cause the grass to die.

Trimming (for hedge trimmer)

CAUTION: Be careful not to accidentally contact a metal fence or other hard objects while trimming. The blades may break and cause an injury.

CAUTION: Be careful not to allow the shear blades to contact the ground. The tool may recoil and cause an injury.

CAUTION: Overreaching with a hedge trimmer, particularly from a ladder, is extremely dangerous. Do not work while standing on anything wobbly or infirm.

NOTICE: Do not attempt to cut branches thicker than 10 mm in diameter with the tool. Cut branches to 10 cm lower than the cutting height using branch cutters before using the tool.

► Fig.45: (1) Cutting height (2) 10 cm

NOTICE: Do not cut down dead trees or similar hard objects. Doing so may damage the tool.

NOTICE: Do not trim the grass or weeds while using the shear blades. The blades may become tangled in the grass or weeds.

Hold the tool with one hand, pull the switch trigger while pressing the lock-off button, and then move it forward.

► Fig.46

For basic operation, tilt the blades toward the trimming direction and move it calmly and slowly at the speed rate of 3 to 4 seconds per meter.

► Fig.47

To tie a string at the desired height and to trim along it help you to cut a hedge top evenly.

► Fig.48

If the chip receiver is attached to the blades, it gathers discarded leaves and makes clean-up afterward much easier.

To cut a hedge side evenly, cut from the bottom to top.

► Fig.49

When trimming to make a round shape (trimming boxwood or rhododendron, etc.), trim from the root to the top for a beautiful finish.

► Fig.50

MAINTENANCE

CAUTION: Always be sure that the tool is switched off and the battery cartridge is removed before attempting to perform inspection or maintenance.

To maintain product SAFETY and RELIABILITY, repairs, any other maintenance or adjustment should be performed by Makita Authorized or Factory Service Centers, always using Makita replacement parts.

Cleaning the tool

Clean the tool by wiping off dust with a dry cloth or one dipped in soapy water and wrung out.

NOTICE: Never use gasoline, benzine, thinner, alcohol or the like. Discoloration, deformation or cracks may result.

Blade maintenance

Before the operation or once per hour during operation, apply low-viscosity oil (machine oil, or spray-type lubricating oil) to the blades.

► Fig.51

► Fig.52

After operation, remove dust from both sides of the blades with a wired brush, wipe it off with a cloth and then apply low-viscosity oil (machine oil, or spray-type lubricating oil) to the blades.

► Fig.53

► Fig.54

NOTICE: Do not wash the blades in water. Doing so may cause rust or damage to the tool.

NOTICE: Dirt and corrosion cause excessive blade friction and shorten the operating time per battery charge.

Storage

The hook hole in the tool bottom is convenient for hanging the tool from a nail or screw on the wall.

Attach the blade cover to the shear blades so that the blades are not exposed. Store the tool out of the reach of children. Store the tool in a place not exposed to moisture or rain.

► Fig.55: 1. Hole

► Fig.56: 1. Hole

OPTIONAL ACCESSORIES

⚠ CAUTION: These accessories or attachments are recommended for use with your Makita tool specified in this manual. The use of any other accessories or attachments might present a risk of injury to persons. Only use accessory or attachment for its stated purpose.

If you need any assistance for more details regarding these accessories, ask your local Makita Service Center.

- Shear blade assembly (for grass shear use)
- Shear blade cover (for grass shear use)
- Grass receiver (for grass shear use)
- Long handle attachment (for grass shear use)
- Shear blade assembly (for hedge trimmer use)
- Shear blade cover (for hedge trimmer use)
- Chip receiver (for hedge trimmer use)
- Storage case
- Makita genuine battery and charger

NOTE: Some items in the list may be included in the tool package as standard accessories. They may differ from country to country.

规格

UM600D安装了剪草机的刀片

型号:	UM600D
切割宽度	160 mm
冲程速度	2,500/min
尺寸 (长 × 宽 × 高)	347 mm × 177 mm × 131 mm
额定电压	D.C. 10.8 V - 12 V (最大)
净重	1.3 - 1.5 kg

UH201D安装了绿篱机的刀片

型号:	UH201D
刀片长度	200 mm
冲程速度	2,500/min
尺寸 (长 × 宽 × 高)	504 mm × 120 mm × 131 mm
额定电压	D.C. 10.8 V - 12 V (最大)
净重	1.3 - 1.5 kg

- 生产者保留变更规格不另行通知之权利。
- 规格和电池组可能因销往国家之不同而异。
- 重量因附件 (包括电池组) 而异。根据EPTA-Procedure 01/2014, 最重与最轻的组合见表格。

适用电池组和充电器

电池组	BL1016 / BL1021B / BL1041B
充电器	DC10SA / DC10SB / DC10WC / DC10WD / DC18RE

- 部分以上所列电池组和充电器是否适用视用户所在地区而异。

⚠警告： 请仅使用以上所列电池组和充电器。使用其他类型的电池组或充电器可能会导致人身伤害和 / 或失火。

符号

以下显示本设备可能会使用的符号。在使用工具之前, 请务必理解其含义。



特别小心和注意。



阅读使用说明书。



请佩戴安全眼镜。



危险 - 手应远离刀片。



危险；注意抛掷物体。



使旁观者远离。



电机关闭后切割部件会继续运行。



勿暴露于潮湿环境。



仅限于欧盟国家
由于本设备中包含有害成分，因此废弃的电气和电子设备、蓄电池和普通电池可能会对环境和人体健康产生负面影响。请勿将电气和电子工具或电池与家庭普通废弃物放在一起处置！
根据欧洲关于废弃电气电子设备、蓄电池和普通电池的指令及其国家层面的修订法案，废弃的电气设备、普通电池和蓄电池应当单独存放并递送至城市垃圾收集点，根据环保法规进行处置。
此规定由标有叉形标志的带轮垃圾桶符号表示。



保证声功率级别符合欧盟室外噪音指令。



声功率级别符合澳大利亚NSW噪音控制规定

用途

UM600D安装了剪草机的刀片

本工具用于草坪修边和剪枝。

UH201D安装了绿篱机的刀片

本工具用于修剪树篱。

安全警告

电动工具通用安全警告

警告： 阅读随电动工具提供的所有安全警告、说明、图示和规定。不遵照以下所列说明会导致电击、着火和 / 或严重伤害。

保存所有警告和说明书以备查阅。

警告中的术语“电动工具”是指市电驱动（有线）电动工具或电池驱动（无线）电动工具。

工作场地的安全

1. 保持工作场地清洁和明亮。杂乱和黑暗的场地会引发事故。
2. 不要在易爆环境，如有易燃液体、气体或粉尘的环境下操作电动工具。电动工具产生的火花会点燃粉尘或气体。

3. 操作电动工具时，远离儿童和旁观者。注意力不集中会使你失去对工具的控制。

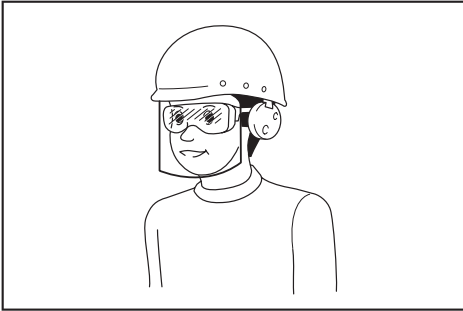
电气安全

1. 电动工具插头必须与插座相配。绝不能以任何方式改装插头。需接地的电动工具不能使用任何转换插头。未经改装的插头和相配的插座将降低电击风险。
2. 避免人体接触接地表面，如管道、散热片和冰箱。如果你身体接触接地表面会增加电击风险。
3. 不得将电动工具暴露在雨中或潮湿环境中。水进入电动工具将增加电击风险。
4. 不得滥用软线。绝不能用软线搬运、拉动电动工具或拔出其插头。使软线远离热源、油、锐边或运动部件。受损或缠绕的软线会增加电击风险。
5. 当在户外使用电动工具时，使用适合户外使用的延长线。适合户外使用的电线将降低电击风险。
6. 如果无法避免在潮湿环境中操作电动工具，应使用带有剩余电流装置（RCD）保护的电源。RCD的使用可降低电击风险。
7. 电动工具会产生对用户无害的电磁场（EMF）。但是，起搏器和其他类似医疗设备的用户应在操作本电动工具前咨询其设备的制造商和 / 或医生寻求建议。

人身安全

1. 保持警觉，当操作电动工具时关注所从事的操作并保持清醒。当你感到疲倦，或在有药物、酒精或治疗反应时，不要操作电动工具。在操作电动工具时瞬间的疏忽会导致严重人身伤害。
2. 使用个人防护装置。始终佩戴护目镜。防护装置，诸如适当条件下使用防尘面具、防滑安全鞋、安全帽、听力防护等装置能减少人身伤害。
3. 防止意外起动。在连接电源和/或电池包、拿起或搬运工具前确保开关处于关断位置。手指放在开关上搬运工具或开关处于接通时通电会导致危险。
4. 在电动工具接通之前，拿掉所有调节钥匙或扳手。遗留在电动工具旋转零件上的扳手或钥匙会导致人身伤害。
5. 手不要过分伸展。时刻注意立足点和身体平衡。这样能在意外情况下能更好地控制住电动工具。
6. 着装适当。不要穿宽松衣服或佩戴饰品。让你的头发和衣服远离运动部件。宽松衣服、佩饰或长发可能会卷入运动部件。

- 如果提供了与排屑、集尘设备连接用的装置，要确保其连接完好且使用得当。使用集尘装置可降低尘屑引起的危险。
- 不要因为频繁使用工具而产生的熟悉感而掉以轻心，忽视工具的安全准则。某个粗心的动作可能在瞬间导致严重的伤害。
- 使用电动工具时请始终佩戴护目镜以免伤害眼睛。护目镜须符合美国ANSI Z87.1、欧洲EN 166或者澳大利亚/新西兰的AS/NZS 1336的规定。在澳大利亚/新西兰，法律要求佩戴面罩保护脸部。



雇主有责任监督工具操作者和其他近工作区域人员佩戴合适的安全防护设备。

电动工具使用和注意事项

- 不要勉强使用电动工具，根据用途使用合适的电动工具。选用合适的按照额定值设计的电动工具会使你工作更有效、更安全。
- 如果开关不能接通或关断电源，则不能使用该电动工具。不能通过开关来控制的电动工具是危险的且必须进行修理。
- 在进行任何调节、更换附件或贮存电动工具之前，必须从电源上拔掉插头和/或卸下电池包（如可拆卸）。这种防护性的安全措施降低了电动工具意外起动的风险。
- 将闲置不用的电动工具贮存在儿童所及范围之外，并且不允许不熟悉电动工具和不了解这些说明的人操作电动工具。电动工具在未经培训的使用者手中是危险的。
- 维护电动工具及其附件。检查运动部件是否调整到位或卡住，检查零件破损情况和影响电动工具运行的其他状况。如有损坏，应在使用前修理好电动工具。许多事故是由维护不良的电动工具引发的。
- 保持切削刀具锋利和清洁。维护良好地有锋利切削刃的刀具不易卡住而且容易控制。

电池式工具使用和注意事项

- 仅使用生产者规定的充电器充电。将适用于某种电池包的充电器用到其他电池包时可能会发生着火危险。
- 仅使用配有专用电池包的电动工具。使用其他电池包可能会产生伤害和着火危险。
- 当电池包不用时，将它远离其他金属物体，例如回形针、硬币、钥匙、钉子、螺钉或其他小金属物体，以防电池包一端与另一端连接。电池组端部短路可能会引起燃烧或着火。
- 在滥用条件下，液体可能会从电池组中溅出；应避免接触。如果意外碰到液体，用水冲洗。如果液体碰到了眼睛，还应寻求医疗帮助。从电池中溅出的液体可能会发生腐蚀或燃烧。
- 不要使用损坏或改装过的电池包或工具。损坏或改装过的电池组可能呈现无法预测的结果，导致着火、爆炸或伤害。
- 不要将电池包暴露于火或高温中。电池包暴露于火或高于130 °C的高温中可能导致爆炸。
- 遵循所有充电说明。不要在说明书中指定的温度范围之外给电池包或电动工具充电。不正确或在指定的温度范围外充电可能会损坏电池和增加着火的风险。

维修

- 让专业维修人员使用相同的备件维修电动工具。这将保证所维修的电动工具的安全。
- 决不能维修损坏的电池包。电池包仅能由生产者或其授权的维修服务商进行维修。
- 上润滑油及更换附件时请遵循本说明书指示。

充电式剪草机使用安全警告

一般指南

1. 为确保操作正确，用户必须阅读本使用说明书，确保熟悉设备的操作。不充分了解工具将会因错误操作使自己与他人处于危险之中。
2. 切勿让儿童和体力、感觉及心智不健全或缺乏经验知识的人员以及不熟悉操作说明的人员使用本机器，当地法规可能会限制操作人员的年龄。
3. 使用设备时请务必特别小心谨慎。
4. 请仅在身体状态良好的情况下操作设备。应镇定、谨慎地完成所有工作。操作时运用常识并时刻谨记，如果给他人及其财产造成损失，操作者或用户要为此负责。
5. 切勿在附近有人（特别是儿童）或宠物的情况下操作机器。
6. 如果设备出现任何问题或异常信号，请立即关闭电机。
7. 休息或离开设备无人照看时，请关闭并取出电池组，然后将其放在安全的位置，以防对他人造成危险或损害设备。
8. 请避免在恶劣天气尤其是雷电天气条件下使用机器。

个人防护设备

1. 操作机器时，请务必穿戴护目眼镜和结实的鞋子。
2. 操作机器时，请务必穿戴厚实的鞋子和长裤。

启动设备

1. 确保无儿童或其他人员在附近，并确保工作区域内没有任何动物。否则请停止使用设备。
2. 使用前务必检查并确保可以安全操作设备。检查并确保切割工具的安全性以及保护罩、开关扳机/杆可以正常工作。确保把手清洁干燥并测试启动/停止功能。
3. 进一步使用设备前请检查受损部件。应仔细检查保护罩或其他部件有无损坏，以确定工具是否可以正常运转。检查运动部件是否有偏差或粘连、部件是否破损、安装是否妥当以及其他可能会影响工具运行的情况。除非本手册另有声明，否则应由授权维修中心对受损保护罩或其他部件进行修复或更换。
4. 仅当手和脚离开切割工具时方可打开电机。
5. 启动前，请确保切割工具没有与任何物体接触。

操作方法

1. 仅在光线及可视性良好的环境下使用设备。在冬季，要注意打滑或潮湿区域以及冰雪等（打滑危险）。请务必确保在斜坡上立足稳定，并确保步行，切勿奔跑。
2. 小心避免切割工具伤及脚和手。
3. 切勿站立在梯子上操作设备。
4. 切勿爬到树上使用本设备进行切割操作。
5. 切勿在非稳固表面上进行作业。
6. 除去工作范围内的砂石、砾石、钉子等。异物可能会损坏切割工具，并造成危险的回弹。
7. 如果切割工具打到石头或其他硬物，应立即关闭电机并对切割工具进行检查。
8. 请以较短的间隔定期检查切割工具有无损坏（通过敲击声测试检测毛细裂纹）。
9. 开始切割前，必须使工具达到全速。
10. 切割工具必须配备适当的保护罩。切勿在保护罩受损或未将保护罩安装到位时运行设备！
11. 操作期间，必须使用设备附带的所有防护性装置和保护罩。
12. 进行以下操作前，务必从设备上拆下电池组：
 - 设备无人照看时；
 - 清除堵塞物前；
 - 检查、清洁或处理设备前；
 - 击打到异物后；
 - 设备开始异常振动时。
13. 务必确保通风口无任何碎片。
14. 电机关闭后切割部件会继续运行。
15. 倘若在操作时因刀片之间卡入异物导致刀片停止运转，应关闭工具并取下电池组，然后使用钳子等工具清除异物。用手清除异物可能会造成人身伤害，因在清除异物时刀片可能会移动。

切割工具

仅可使用正确的切割工具进行手头的工作。

保养说明

1. 开始工作前必须检查设备的情况，尤其是防护设备的切割工具的情况。
2. 进行保养，更换切割工具，或者清洁设备（或切割工具）前必须关闭电机并拆下电池组。

3. 不使用时，请将设备放置在室内干燥的高处或加锁位置，避免儿童接触。存放前，请进行清洁和保养。

请保留此说明书。

警告： 请勿为图方便或因对产品足够熟悉（由于重复使用而获得的经验）而不严格遵循相关产品安全规则。使用不当或不遵循使用说明书中的安全规则会导致严重的人身伤害。

充电式绿篱机使用安全警告

1. 使身体各部位与刀片保持一定距离。当刀片正在移动时，请勿移开切割材料或按住要切割的材料。关闭开关后刀片仍会继续旋转。在操作绿篱机期间，分心可能会导致严重的人身伤害。
2. 在刀片停止后握住把手搬运绿篱机，同时注意避免操作任何电源开关。正确搬运绿篱机可降低因机器意外启动以及由刀片造成人身伤害的风险。
3. 运输或存储绿篱机时，请务必盖上刀片罩。正确操作绿篱机可降低由刀片造成人身伤害的风险。
4. 在清除卡住的材料或维修机器前，请务必关闭所有电源开关，同时将电池组取出或断开其连接。在清除卡住的材料或维修机器时，绿篱机意外启动可能会造成严重的人身伤害。
5. 因为刀片可能会接触到隐藏的电线，操作绿篱机时仅可抓握绝缘把手。刀片接触到“带电”的电线时，绿篱机上暴露的金属部分可能也会“带电”，并使操作者触电。
6. 确保所有电源线和电缆远离切割区域。电源线或电缆可能会隐藏在绿篱和灌木中，因此操作时有可能被刀片意外割断。
7. 请勿在恶劣天气尤其是雷电天气条件下使用绿篱机。这可降低雷击风险。
8. 危险：手应远离刀片。接触刀片将会造成严重的人身伤害。
9. 拿着绿篱机够着去修剪难以触及的物体（特别是在梯子上的时候）会相当危险。请勿站在摇晃或不稳的物体上工作。
10. 请勿在雨中、水中或十分潮湿的环境下使用绿篱机。电机不防水。
11. 用户首次使用时，应让有经验的绿篱机用户向其展示如何使用该设备。
12. 儿童或不满18岁的少年不得使用绿篱机。超过16岁的少年如果在专业人士的监管下接受过培训则可以免受该限制。
13. 请仅在身体状态良好的情况下使用绿篱机。疲惫会导致使用者注意力降低。在一天的工作快结束时应特别注意这一点。应镇定、谨慎地完成所有工作。给第三方造成的所有损失由用户负责。
14. 在饮酒、服药或接受医疗的情况下切勿使用绿篱机。
15. 结实的皮革工作手套是操作绿篱机时的基本装备之一，在操作绿篱机时必须始终佩戴。同时应穿戴具有防滑底的结实靴。
16. 开始工作之前，请检查确认绿篱机处于良好和安全的工作状态。确保保护罩安装到位。在完全安装到位前不得使用绿篱机。
17. 开始操作前请确保立足稳固。
18. 使用工具时将其握牢。
19. 如无必要，请勿在空载状态下操作工具。
20. 如果刀片接触到围栏或其他硬物，请立即关闭电机并拆下电池组。检查刀片是否受损，如果受损请立即维修。
21. 检查刀片、处理故障或取出卡在刀片上的材料之前，请务必关闭绿篱机并拆下电池组。
22. 进行保养工作之前请关闭绿篱机并拆下电池组。
23. 将绿篱机移至另一个位置时（包括工作期间），请务必拆下电池组并为刀片盖上刀片罩。切勿在刀片运转的情况下移动或搬运绿篱机。切勿用手去抓刀片。
24. 使用之后以及要长期储存绿篱机之前请清洁绿篱机（特别是刀片）。在刀片上抹少量的油，然后盖上刀片罩。随机器附带的护盖可挂在墙上，为绿篱机的存放提供了安全和实用的方法。
25. 存放绿篱机时，将其护盖盖上，然后存放在干燥的房间内。将其存放在儿童无法触及的地方。切勿在室外存放绿篱机。
26. 切勿将刀片对准自身或其他人员。
27. 倘若在操作时因刀片之间卡入异物导致刀片停止运转，应关闭工具并取下电池组，然后使用钳子等工具清除异物。用手清除异物可能会造成人身伤害，因在清除异物时刀片可能会移动。
28. 避免危险的环境。请勿在潮湿或淋雨环境下使用工具。工具受潮将增加触电的危险。

29. 请勿将电池弃于火中。否则会引起电池爆炸。请查阅当地法规了解适当的特殊处理说明。
30. 请勿打开或拆解电池。溢出的电解质具有腐蚀性，可能会对眼睛或皮肤造成损伤。吞服则有致毒危险。
31. 请勿在雨中或潮湿的地方充电。
32. 操作工具前，检查绿篱和灌木是否有铁丝网或隐藏电线等异物。

请保留此说明书。

警告： 请勿为图方便或因对产品足够熟悉（由于重复使用而获得的经验）而不严格遵循相关产品安全规则。使用不当或不遵循使用说明书中的安全规则会导致严重的人身伤害。

电池组的重要安全注意事项

1. 在使用电池组之前，请仔细阅读所有的说明以及 (1) 电池充电器，(2) 电池，以及 (3) 使用电池的产品上的警告标记。
2. 切勿拆卸或改装电池组。否则可能引起火灾、过热或爆炸。
3. 如果机器运行时间变得过短，请立即停止使用。否则可能会导致过热、起火甚至爆炸。
4. 如果电解液进入您的眼睛，用清水将其冲洗干净并立即就医。否则可能会导致视力受损。
5. 请勿使电池组短路：
 - (1) 请勿使任何导电材料碰触到端子。
 - (2) 避免将电池组与其他金属物品如钉子、硬币等放置在同一容器内。
 - (3) 请勿将电池组置于水中或使其淋雨。电池短路将产生大的电流，导致过热，并可能导致起火甚至击穿。
6. 请勿在温度可能达到或超过**50°C (122°F)**的场所存放以及使用工具和电池组。
7. 即使电池组已经严重损坏或完全磨损，也请勿焚烧电池组。电池组会在火中爆炸。
8. 请勿对电池组射钉，或者切削、挤压、抛掷、掉落电池组，又或者用硬物撞击电池组。否则可能引起火灾、过热或爆炸。
9. 请勿使用损坏的电池。

10. 本工具附带的锂离子电池需符合危险品法规要求。

第三方或转运代理等进行商业运输时，应遵循包装和标识方面的特殊要求。有关运输项目的准备作业，咨询危险品方面的专业人士。同时，请遵守可能更为详尽的国家法规。

请使用胶带保护且勿遮掩表面的联络信息，并牢固封装电池，使电池在包装内不可动。

11. 丢弃电池组时，需将其从工具上卸下并在安全地带进行处理。关于如何处理废弃的电池，请遵循当地法规。
12. 仅将电池用于**Makita (牧田)**指定的产品。将电池安装至不兼容的产品会导致起火、过热、爆炸或电解液泄漏。
13. 如长时间未使用工具，必须将电池从工具内取出。
14. 使用工具期间以及使用工具之后，电池组温度可能较高易引起灼伤或低温烫伤。处理高温电池组时请小心操作。
15. 在使用工具后请勿立即触碰工具的端子，否则可能引起灼伤。
16. 避免锯屑、灰尘或泥土卡入电池组的端子、孔口和凹槽内。否则可能导致工具或电池组性能下降或故障。
17. 除非工具支持在高压电源线路附近使用，否则请勿在高压电源线路附近使用电池组。否则可能导致工具或电池组故障或失常。
18. 确保电池远离儿童。

请保留此说明书。

小心： 请仅使用**Makita (牧田)**原装电池。使用非**Makita (牧田)**原装电池或经过改装的电池可能会导致电池爆炸，从而造成火灾、人身伤害或物品受损。同时也会导致牧田工具和充电器的牧田保修服务失效。

保持电池最大使用寿命的提示

1. 在电池组电量完全耗尽前及时充电。发现工具电量低时，请停止工具操作，并给电池组充电。
2. 请勿对已充满电的电池组重新充电。过度充电将缩短电池的使用寿命。
3. 请在**10°C - 40°C (50°F - 104°F)**的室温条件下给电池组充电。请在灼热的电池组冷却后再充电。
4. 不使用电池组时，请将其从工具或充电器上拆除。

功能描述

⚠️小心： 调节或检查工具功能之前，请务必关闭工具的电源并取出电池组。

将工具用作充电式绿篱机/剪草机

UM600D型

安装绿篱机的刀片（选购附件）以后，本工具可以用作充电式绿篱机。

UH201D型

安装剪草机的刀片（选购附件）以后，本工具可以用作充电式剪草机。

安装或拆卸电池组

⚠️小心： 安装或拆卸电池组之前，请务必关闭工具电源。

⚠️小心： 安装或拆卸电池组时请握紧工具和电池组。否则它们可能从您的手中滑落，导致工具和电池组受损，甚至造成人身伤害。

► **图片1：** 1. 红色指示器 2. 按钮 3. 电池组

拆卸电池组时，按下电池组前侧的按钮，同时将电池组从工具中抽出。

安装电池组时，要将电池组上的舌簧与外罩上的凹槽对齐，然后推滑到位。将其完全插入到位，直到锁定并发出咔哒声为止。若能看到图示中的红色指示器，则说明未完全锁紧。

⚠️小心： 务必完全装入电池组，直至看不见红色指示器为止。否则，它可能会从工具中意外脱落，从而造成自身或他人受伤。

⚠️小心： 请勿强行安装电池组。如果电池组难以插入，可能是插入方法不当。

显示电池的剩余电量

仅限带指示灯的电池组

► **图片2：** 1. 指示灯 2. CHECK（查看）按钮
按电池组上的CHECK（查看）按钮可显示电池剩余电量。指示灯将亮起数秒。

指示灯		剩余电量
点亮	熄灭	
■ ■ ■ ■	□	75%至100%
■ ■ ■ □	□	50%至75%
■ ■ □ □	□	25%至50%
■ □ □ □	□	0%至25%

注： 在不同的使用条件及环境温度下，指示灯所示电量可能与实际情况略有不同。

工具 / 电池保护系统

本工具配备有工具 / 电池保护系统。该系统可自动切断电机电源以延长工具和电池寿命。作业时，如果工具或电池处于以下情况，工具将会自动停止运转。

过载保护

以导致异常高电流的方式操作电池时，工具会自动停止运转。在这种情况下，请关闭工具并停止导致工具过载的应用操作。然后开启工具重新启动。

过热保护

工具或电池过热时，工具将自动停止运转且指示灯闪烁。在这种情况下，请待工具和电池冷却后再开启工具。

过放电保护

电池电量不足时，本工具自动停止运转。如果启动工具，电机会再次运行，但将很快停止。此时，请取出工具中的电池并予以充电。

开关操作

警告： 在将电池组插入工具之前，请务必检查开关扳机是否能扣动自如，松开时能否退回至“OFF”（关闭）位置。

警告： 为了您的安全，本工具配备了锁止按钮，可防止工具误启动。如果当您扣动开关扳机而没有按下锁止按钮时，工具即开始运行，则切勿使用此工具。请当地Makita（牧田）维修服务中心进行修复。

警告： 切勿禁用锁定功能或封住锁止按钮。

注意： 在没有按下锁止按钮的情况下，请勿用力扣动开关扳机。开关可能会损坏。

► 图片3: 1. 开关扳机 2. 锁止按钮

为避免使用者不小心扣动开关扳机，本工具采用锁止按钮。

要启动工具时，按下锁止按钮，然后扣动开关扳机即可。松开开关扳机工具即停止。可以从右侧或左侧按锁止按钮。

指示灯

当电池的剩余电量变低或耗尽时，指示灯闪烁或亮起。当工具处于过载状态时，指示灯也会亮起。

► 图片4: 1. 指示灯

指示灯状态以及采取的措施

指示灯	状态	采取的措施
指示灯呈红色闪烁。	电池的剩余电量低。	给电池充电。
指示灯呈红色亮起。*	工具因电池的剩余电量耗尽而停止运转。	给电池充电。
	工具因过载而停止运转。	关闭工具。

* 指示灯亮起的时间会因工作区域周围的温度和电池组的状况而异。

调整剪草高度（用于剪草机）

小心： 改变剪草高度时，务必安装刀片罩并且注意不要将手指卡在工具和收草装置之间。

通过改变收草装置的固定位置可以将剪草高度设为3种（15 mm、20 mm和25 mm）。

如果没有收草装置，剪草高度约为10 mm。

1. 将收草装置向工具前部滑动。

► 图片5: 1. 收草装置

2. 将收草装置朝箭头方向移动可以改变其固定位置。

► 图片6

注： 剪草高度值作为参考。实际剪草高度可能因草坪和地面的状况而异。

注： 请在不显眼的位置进行测试修剪以获得理想的修剪高度。

装配

小心： 对工具进行任何装配操作前，请务必关闭工具电源，并取出电池组。

小心： 更换刀片时，务必佩戴手套并安装刀片罩以免手部和面部直接接触刀片。

注意： 更换刀片时，请勿擦掉齿轮和曲柄上的油脂。

安装或拆卸刀片罩

小心： 在安装或拆卸刀片罩时，注意不要接触刀片。

要拆下刀片罩时，轻轻拉动，然后将其向侧面滑动。安装刀片罩时，请执行相反的步骤。

► 图片7

安装或拆卸收草装置

小心： 安装或拆卸收草装置时，务必安装刀片罩并且注意不要将手指卡在工具和收草装置之间。

拆卸收草装置

1. 使收草装置上的凸起部分脱离工具上的凹槽，同时将收草装置朝工具前部滑动。

► 图片8: 1. 收草装置

2. 使收草装置的铰链脱离工具。

安装收草装置

1. 将收草装置的铰链悬挂在工具上的凹槽上。

► 图片9: 1. 铰链 2. 收草装置

2. 通过将收草装置朝工具前部滑动并且朝箭头方向移动，对齐收草装置上的凸起部分和工具上的凹槽。

► 图片10

注意：然后，切勿用力将收草装置的铰链安装至工具上。



安装或拆卸剪草机的刀片

注意：如果曲柄等非刀片部件磨损，请联系牧田授权维修服务中心更换部件或维修。

拆卸刀片

1. 拆下收草装置，然后将工具颠倒放置。

► 图片11

2. 按下锁定杆，同时逆时针转动底盖，直至底盖上的和锁定杆上的对齐。

► 图片12

3. 拆下底盖、刀片和曲柄。

► 图片13: 1. 底盖 2. 刀片 3. 曲柄

安装刀片

1. 请准备好曲柄、底盖和新的刀片。

► 图片14: 1. 曲柄 2. 底盖 3. 刀片

2. 从旧的刀片上拆下刀片罩，然后将其安装到新的刀片上。

► 图片15

3. 调整这3个销钉，使其在对齐线上一字排开。

► 图片16: 1. 对齐线

4. 在曲柄的周围涂抹少量的润滑油。将曲柄安装至销钉，使其大、小圆角朝上。



► 图片17: 1. 曲柄

5. 调整刀片和基板，使基板上的孔和刀片上的2处凸起部分对齐。



► 图片18

6. 翻转刀片，然后将其安装，使工具上的销嵌入基板上的孔。务必将刀片牢固地安装到位。

► 图片19

7. 安装底盖，使底盖上的和锁定杆上的对齐。

► 图片20

8. 按下底盖，同时顺时针转动底盖，直至底盖上的和锁定杆上的对齐。

► 图片21

9. 请确保锁定杆嵌入底盖的凹槽上。

► 图片22: 1. 锁定杆

小心：切勿使用没有安装底盖的工具。

10. 拆下刀片罩，然后开启工具以检查其是否正常工作。

注意：如果刀片无法正常操作，则表示刀片没有正确啮合曲柄。拆下刀片并且重新安装。

安装或拆下绿篱机的刀片



小心：拆卸或安装刀片之前，请安装刀片罩。

注意：如果曲柄等非刀片部件磨损，请联系牧田授权维修服务中心更换部件或维修。

拆卸刀片

1. 将工具颠倒放置。

► 图片23

2. 按下锁定杆，同时逆时针转动底盖，直至底盖上的和锁定杆上的对齐。

► 图片24

3. 拆下底盖。

► 图片25

4. 用螺丝刀拧松两颗螺丝，然后拆下刀片。

► 图片26: 1. 螺丝

注：在不拆下螺丝的情况下可以拆下刀片。

5. 从刀片上拆下曲柄。

► 图片27: 1. 曲柄

注：曲柄可能会保留在工具中。

将刀片罩和存储盒安装至拆下的刀片，然后存放刀片。

安装刀片

1. 请准备好曲柄、底盖和新的刀片。

► 图片28: 1. 曲柄 2. 底盖 3. 刀片

2. 为刀片安装刀片罩。

► 图片29

3. 调整这3个销钉，使其在对齐线上一字排开。

► 图片30: 1. 对齐线

4. 在曲柄的周围涂抹少量的润滑油。将曲柄安装至销钉，使其大、小圆角朝下。

► 图片31: 1. 曲柄

5. 滑动刀片，使基板上的孔位于刀片环的中心。


► 图片32

6. 翻转刀片，然后将其安装，使工具上的销嵌入刀片上的孔。将基板的卡爪插入工具上的凹槽。务必将刀片牢固地安装到位。


► 图片33: 1. 卡爪

7. 用螺丝刀牢牢地紧固这2颗螺丝。

► 图片34: 1. 螺丝

8. 安装底盖，使底盖上的和锁定杆上的△对齐。


► 图片35

9. 按下底盖，同时顺时针转动底盖，直至底盖上的和锁定杆上的△对齐。

► 图片36

10. 请确保锁定杆嵌入底盖的凹槽上。

► 图片37: 1. 锁定杆


 **小心：** 切勿使用没有安装底盖的工具。

11. 拆下刀片罩，然后开启工具以检查其是否正常工作。

注意： 如果刀片无法正常操作，则表示刀片没有正确啮合曲柄。拆下刀片并且重新安装。

安装或拆卸碎屑接收器

选购附件

 **小心：** 安装或拆卸碎屑接收器时，务必佩戴手套并且安装刀片罩以免手部和面部直接接触刀片。

碎屑接收器收集丢弃的叶子，方便后续清扫。可安装在工具的任一侧。

要安装碎屑接收器时，将其按压至刀片，使挂钩嵌入刀片上的孔。


► 图片38: 1. 挂钩 2. 孔

要拆卸碎屑接收器时，请按下两侧的杆以便松开挂钩。


► 图片39: 1. 杆


注意： 在碎屑接收器的挂钩锁定在刀片的孔中时，切勿强行拆卸碎屑接收器。

操作

 **警告：** 开始修剪操作前，请清除修剪区域内的树枝和石块。此外，还要事先清除修剪区域内的任何杂草。

► 图片40

 **警告：** 手应远离刀片。

 **小心：** 尽可能避免在酷热天气下操作工具。操作工具时，请注意您的身体状态。

修剪（用于修剪机）

调节剪草高度后将工具开启并将其握住，使工具的底部支撑在地面上。将工具轻轻向前移动。

► 图片41

在路边、篱笆或树木周围进行修剪时，请将工具沿其移动。注意不要使刀片与其接触。

► 图片42

修剪小树的嫩枝或叶片时，一点一点地进行修剪。

► 图片43

在使用本工具将较大的枝干修剪为所需高度前，请使用树枝剪进行修剪。

注意： 使用工具时，不应使电机停止或以极慢的速度转动。

注意： 请勿试图剪过厚的枝叶。

注意： 操作期间请勿使刀片接触地面。否则刀片会变钝，从而导致性能下降。

注意： 请勿修剪湿草或小树的树叶。

修剪长草坪

请勿试图一次性修剪较长的草。相反，您需要分阶段修剪草坪。可间隔一天或两天进行修剪，直至草坪高度统一。

► 图片44

注： 一次性将较长的草修剪得比较短，可能会导致草枯萎。

修剪（用于绿篱机）

⚠️小心：修剪时请小心不要意外接触金属围栏或其他硬物。否则刀片可能会断裂并造成人身伤害。

⚠️小心：注意不要使刀片接触地面。否则工具可能会回弹并导致人身伤害。

⚠️小心：拿着绿篱机够着去修剪难以触及的物体（特别是在梯子上的时候）会相当危险。请勿站在摇晃或不稳的物体上工作。

注意：请勿用工具剪切直径超过10 mm的树枝。使用树枝剪将枝干修剪至低于切割高度10 cm后，再使用本工具。

► **图片45：** (1) 切割高度 (2) 10 cm

注意：请勿砍倒死树或类似的硬物。这样做可能会损坏工具。

注意：使用刀片时请勿修剪草。否则刀片会纠缠在草中。

单手持握工具，扣动开关扳机同时按下锁止按钮，然后向前移动。

► **图片46**

至于基本操作，将刀片倾斜至修剪方向，然后稳定、缓慢地以3至4秒每米的速度移动工具。

► **图片47**

在所需的绿篱高度上拉一根线绳，并沿着它进行修剪，这有利于均匀剪切绿篱顶部。

► **图片48**

如果刀片上安装了碎屑接收器，其收集丢弃的树叶，方便后续清扫。

要均匀剪切绿篱侧面时，可从底部朝上剪切。

► **图片49**

修剪成圆形时（修剪黄杨或杜鹃花等），可从根部朝上修剪，作为完美的收梢。

► **图片50**

保养

⚠️小心：检查或保养工具之前，请务必关闭工具电源并取出电池组。

为了保证产品的安全与可靠性，维修、任何其他维修保养或调节需由Makita（牧田）授权的或工厂维修服务中心完成。务必使用Makita（牧田）的替换部件。

清洁工具

用干布或浸有肥皂水的布清洁工具并拧干。

注意：切勿使用汽油、苯、稀释剂、酒精或类似物品清洁工具。否则可能会导致工具变色、变形或出现裂缝。

刀片保养

操作之前和操作期间（一小时一次）在刀片上涂抹低粘度润滑油（机油或喷淋式润滑油）。

► **图片51**

► **图片52**

操作后，请用钢丝刷清除刀片两侧的灰尘，用抹布进行擦拭，然后涂抹低粘度油（机油或喷淋式润滑油）。

► **图片53**

► **图片54**

注意：请勿在水中清洗刀片。否则可能会导致工具生锈或受损。

注意：污垢和腐蚀可导致过度的刀片摩擦，并缩短每次电池充电后的操作时间。

存放

工具底部的钩孔便于将工具挂在墙壁的钉子或螺丝上。

将刀片罩装在刀片上，以免刀片暴露在外。将工具存放在儿童无法触及的地方。将工具存放于不会暴露在湿气或雨水中的地方。

► **图片55：** 1. 孔

► **图片56：** 1. 孔

选购附件

⚠小心： 这些附件或装置专用于本说明书所列的**Makita（牧田）**工具。如使用其他厂牌附件或装置，可能导致人身伤害。仅可将附件或装置用于规定目的。

如您需要了解更多关于这些选购附件的信息，请咨询当地的**Makita（牧田）**维修服务中心。

- 刀片组件（用于剪草机）
- 刀片罩（用于剪草机）
- 收草装置（用于剪草机）
- 长把手装置（用于剪草机）
- 刀片组件（用于绿篱机）
- 刀片罩（用于绿篱机）
- 碎屑接收器（用于绿篱机）
- 存储盒
- **Makita（牧田）**原装电池和充电器

注： 本列表中的一些部件可能作为标准配件包含于工具包装内。它们可能因销往国家之不同而异。

SPEKIFIKASI

UM600D dengan bilah pisau pemangkas terpasang untuk memotong rumput

Model:	UM600D
Lebar pemotongan	160 mm
Tebasan per menit	2.500 min ⁻¹
Dimensi (P x L x T)	347 mm x 177 mm x 131 mm
Tegangan terukur	D.C. 10,8 V - 12 V maks
Berat bersih	1,3 - 1,5 kg

UH201D dengan bilah pisau pemangkas terpasang untuk alat pemotong tanaman

Model:	UH201D
Panjang bilah pisau	200 mm
Tebasan per menit	2.500 min ⁻¹
Dimensi (P x L x T)	504 mm x 120 mm x 131 mm
Tegangan terukur	D.C. 10,8 V - 12 V maks
Berat bersih	1,3 - 1,5 kg

- Karena kesinambungan program penelitian dan pengembangan kami, spesifikasi yang disebutkan di sini dapat berubah tanpa pemberitahuan.
- Spesifikasi dan kartrid baterai dapat berbeda dari satu negara ke negara lainnya.
- Berat alat mungkin berbeda tergantung perangkat tambahan yang dipasang, termasuk kartrid baterai. Kombinasi alat terberat dan teringan, sesuai Prosedur EPTA 01/2014, ditunjukkan pada tabel.

Kartrid dan pengisi daya baterai yang dapat digunakan






Kartrid baterai	BL1016 / BL1021B / BL1041B
Pengisi daya	DC10SA / DC10SB / DC10WC / DC10WD / DC18RE


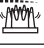

- Beberapa kartrid baterai dan pengisi daya yang tercantum di atas mungkin tidak tersedia, tergantung wilayah tempat tinggal Anda.

⚠ PERINGATAN: Hanya gunakan kartrid dan pengisi daya baterai yang tercantum di atas. Penggunaan kartrid dan pengisi daya baterai lain dapat menimbulkan risiko cedera dan/atau kebakaran.

Simbol

Berikut ini adalah simbol-simbol yang dapat digunakan pada peralatan ini. Pastikan Anda memahami arti masing-masing simbol sebelum menggunakan peralatan.

	Berhati-hatilah dan pusatkan perhatian Anda.
	Baca petunjuk penggunaan.
	Gunakan pelindung mata.
	BAHAYA - Jauhkan tangan dari mata pisau.
	Bahaya; hati-hati terhadap objek yang terlempar.

	Jauhkan dari orang-orang di sekitar.
	Bagian pemotong tetap menyala setelah motor dimatikan.
	Jangan biarkan lembab.



Hanya untuk negara-negara UE
Akibat adanya komponen berbahaya dalam peralatan, limbah peralatan listrik dan elektronik, aki dan baterai dapat memiliki dampak negatif pada lingkungan dan kesehatan manusia.

Jangan buang peralatan listrik dan elektronik atau baterai bersama limbah rumah tangga!

Sesuai dengan Petunjuk Eropa tentang limbah peralatan listrik dan elektronik dan tentang aki dan baterai serta limbah aki dan baterai, serta penyesuaiannya terhadap undang-undang nasional, limbah peralatan listrik, baterai dan aki harus disimpan secara terpisah dan dikirim ke tempat pengumpulan terpisah untuk sampah kota, beroperasi sesuai dengan peraturan tentang perlindungan lingkungan.

Hal ini ditunjukkan dengan simbol tempat sampah bersilang yang ditempatkan pada peralatan.



Level kekuatan suara terjamin sesuai dengan Petunjuk Kebisingan Di Luar Ruang Uni Eropa.



Level kekuatan suara sesuai dengan Peraturan Kontrol Kebisingan NSW Australia

Penggunaan

UM600D dengan bilah pisau pemangkas terpasang untuk memotong rumput

Mesin ini digunakan untuk memotong rumput di bagian tepi atau tunas.

UH201D dengan bilah pisau pemangkas terpasang untuk alat pemotong tanaman

Mesin ini digunakan untuk memotong tanaman pagar.

PERINGATAN KESELAMATAN

Peringatan keselamatan umum mesin listrik

⚠️ PERINGATAN: Bacalah semua peringatan keselamatan, petunjuk, ilustrasi dan spesifikasi yang disertakan bersama mesin listrik ini.

Kelalaian untuk mematuhi semua petunjuk yang tercantum di bawah ini dapat menyebabkan sengatan listrik, kebakaran dan/atau cedera serius.

Simpanlah semua peringatan dan petunjuk untuk acuan di masa depan.

Istilah "mesin listrik" dalam semua peringatan mengacu pada mesin listrik yang dijalankan dengan sumber listrik jala-jala (berkabel) atau baterai (tanpa kabel).

Keselamatan tempat kerja

1. **Jaga tempat kerja selalu bersih dan berpenerangan cukup.** Tempat kerja yang berantakan dan gelap mengundang kecelakaan.
2. **Jangan gunakan mesin listrik dalam lingkungan yang mudah meledak, misalnya jika ada cairan, gas, atau debu yang mudah menyala.** Mesin listrik menimbulkan bunga api yang dapat menyalakan debu atau uap tersebut.
3. **Jauhkan anak-anak dan orang lain saat menggunakan mesin listrik.** Bila perhatian terpecah, anda dapat kehilangan kendali.

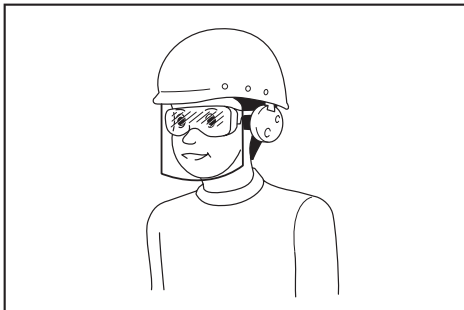
Keamanan Kelistrikan

1. **Steker mesin listrik harus cocok dengan stopkontak. Jangan sekali-kali mengubah steker dengan cara apa pun. Jangan menggunakan steker adaptor dengan mesin listrik terbumi (dibumikan).** Steker yang tidak diubah dan stopkontak yang cocok akan mengurangi risiko sengatan listrik.
2. **Hindari sentuhan tubuh dengan permukaan terbumi atau yang dibumikan seperti pipa, radiator, kompor, dan kulkas.** Risiko sengatan listrik bertambah jika tubuh Anda terbumikan atau dibumikan.
3. **Jangan membiarkan mesin listrik kehujanan atau kebasahan.** Air yang masuk ke dalam mesin listrik akan meningkatkan risiko sengatan listrik.
4. **Jangan menyalahgunakan kabel. Jangan sekali-kali menggunakan kabel untuk membawa, menarik, atau mencabut mesin listrik dari stopkontak. Jauhkan kabel dari panas, minyak, tepian tajam, atau bagian yang bergerak.** Kabel yang rusak atau kusut memperbesar risiko sengatan listrik.
5. **Bila menggunakan mesin listrik di luar ruangan, gunakan kabel ekstensi yang sesuai untuk penggunaan di luar ruangan.** Penggunaan kabel yang sesuai untuk penggunaan luar ruangan mengurangi risiko sengatan listrik.
6. **Jika mengoperasikan mesin listrik di lokasi lembap tidak hindarkan, gunakan pasokan daya yang dilindungi peranti imbasan arus (residual current device - RCD).** Penggunaan RCD mengurangi risiko sengatan listrik.
7. **Mesin listrik dapat menghasilkan medan magnet (EMF) yang tidak berbahaya bagi pengguna.** Namun, pengguna alat pacu jantung atau peralatan medis sejenisnya harus berkonsultasi dengan produsen peralatan tersebut dan/atau dokter mereka sebelum mengoperasikan mesin listrik ini.

Keselamatan Diri

1. **Jaga kewaspadaan, perhatikan pekerjaan Anda dan gunakan akal sehat bila menggunakan mesin listrik.** Jangan menggunakan mesin listrik saat Anda lelah atau di bawah pengaruh obat bius, alkohol, atau obat. Sekejap saja lalai saat menggunakan mesin listrik dapat menyebabkan cedera badan serius.

2. **Gunakan alat pelindung diri. Selalu gunakan pelindung mata.** Peralatan pelindung seperti masker debu, sepatu pengaman anti-selip, helm pengaman, atau pelindung telinga yang digunakan untuk kondisi yang sesuai akan mengurangi risiko cedera badan.
3. **Cegah penyalaaan yang tidak disengaja.** Pastikan bahwa sakelar berada dalam posisi mati (off) sebelum menghubungkan mesin ke sumber daya dan/atau paket baterai, atau mengangkat atau membawanya. Membawa mesin listrik dengan jari Anda pada sakelarnya atau mengalirkan listrik pada mesin listrik yang sakelarnya hidup (on) akan mengundang kecelakaan.
4. **Lepaskan kunci-kunci penyetel sebelum menghidupkan mesin listrik.** Kunci-kunci yang masih terpasang pada bagian mesin listrik yang berputar dapat menyebabkan cedera.
5. **Jangan meraih terlalu jauh. Jagalah pijakan dan keseimbangan sepanjang waktu.** Hal ini memungkinkan kendali yang lebih baik atas mesin listrik dalam situasi yang tidak diharapkan.
6. **Kenakan pakaian yang memadai. Jangan memakai pakaian yang longgar atau perhiasan.** Jaga jarak antara rambut dan pakaian Anda dengan komponen mesin yang bergerak. Pakaian yang longgar, perhiasan, atau rambut yang panjang dapat tersangkut pada komponen yang bergerak.
7. **Jika tersedia fasilitas untuk menghisap dan mengumpulkan debu, pastikan fasilitas tersebut terhubung listrik dan digunakan dengan baik.** Penggunaan pembersih debu dapat mengurangi bahaya yang terkait dengan debu.
8. **Jangan sampai Anda lengah dan mengabaikan prinsip keselamatan mesin ini hanya karena sudah sering mengoperasikannya dan sudah merasa terbiasa.** Tindakan yang lalai dapat menyebabkan cedera berat dalam sepersekian detik saja.
9. **Selalu kenakan kacamata pelindung untuk melindungi mata dari cedera saat menggunakan mesin listrik.** Kacamata harus sesuai dengan ANSI Z87.1 di Amerika Serikat, EN 166 di Eropa, atau AS/NZS 1336 di Australia/Selandia Baru. Di Australia/Selandia Baru, secara hukum Anda juga diwajibkan mengenakan pelindung wajah untuk melindungi wajah Anda.



Menjadi tanggung jawab atasan untuk menerapkan penggunaan alat pelindung keselamatan yang tepat bagi operator mesin dan orang lain yang berada di area kerja saat itu.

Penggunaan dan pemeliharaan mesin listrik

1. **Jangan memaksa mesin listrik. Gunakan mesin listrik yang tepat untuk keperluan Anda.** Mesin listrik yang tepat akan ununtaskan pekerjaan dengan lebih baik dan aman pada kecepatan sesuai rancangannya.
2. **Jangan gunakan mesin listrik jika sakelar tidak dapat menyalakan dan mematikannya.** Mesin listrik yang tidak dapat dikendalikan dengan sakelarnya adalah berbahaya dan harus diperbaiki.
3. **Cabut steker dari sumber listrik dan/atau lepas paket baterai, jika dapat dilepas, dari mesin listrik sebelum melakukan penyetelan apa pun, mengganti aksesori, atau menyimpan mesin listrik.** Langkah keselamatan preventif tersebut mengurangi risiko hidupnya mesin secara tak sengaja.
4. **Simpan mesin listrik jauh dari jangkauan anak-anak dan jangan biarkan orang yang tidak paham mengenai mesin listrik tersebut atau petunjuk ini menggunakan mesin listrik.** Mesin listrik sangat berbahaya di tangan pengguna yang tak terlatih.
5. **Rawatlah mesin listrik dan aksesori.** Periksa apakah ada komponen bergerak yang tidak lurus atau macet, komponen yang pecah, dan kondisi-kondisi lain yang dapat memengaruhi pengoperasian mesin listrik. Jika rusak, perbaiki mesin listrik terlebih dahulu sebelum digunakan. Banyak kecelakaan disebabkan oleh kurangnya pemeliharaan mesin listrik.
6. **Jaga agar mesin pemotong tetap tajam dan bersih.** Mesin pemotong yang terawat baik dengan mata pemotong yang tajam tidak mudah macet dan lebih mudah dikendalikan.
7. **Gunakan mesin listrik, aksesori, dan mata mesin, dll. sesuai dengan petunjuk ini, dengan memperhitungkan kondisi kerja dan jenis pekerjaan yang dilakukan.** Penggunaan mesin listrik untuk penggunaan yang lain dari peruntukan dapat menimbulkan situasi berbahaya.
8. **Jagalah agar gagang dan permukaan pegangan tetap kering, bersih, dan bebas dari minyak dan pelumas.** Gagang dan permukaan pegangan yang licin tidak mendukung keamanan penanganan dan pengendalian mesin dalam situasi-situasi tak terduga.
9. **Ketika menggunakan mesin, jangan menggunakan sarung tangan kain yang dapat tersangkut.** Sarung tangan kain yang tersangkut pada komponen bergerak dapat mengakibatkan cedera pada pengguna.

Penggunaan dan pemeliharaan mesin bertenaga baterai

1. **Isi ulang baterai hanya dengan pengisi daya yang ditentukan oleh pabrikan.** Pengisi daya yang cocok untuk satu jenis paket baterai dapat menimbulkan risiko kebakaran ketika digunakan untuk paket baterai yang lain.

2. **Gunakan mesin listrik hanya dengan paket baterai yang telah ditentukan secara khusus.** Penggunaan paket baterai lain dapat menimbulkan risiko cedera dan kebakaran.
3. **Ketika paket baterai tidak digunakan, jauhkan dari benda logam lain, seperti penjepit kertas, uang logam, kunci, paku, sekrup atau benda logam kecil lainnya, yang dapat menghubungkan satu terminal ke terminal lain.** Hubungan singkat terminal baterai dapat menyebabkan luka bakar atau kebakaran.
4. **Pemakaian yang salah, dapat menyebabkan keluarnya cairan dari baterai; hindari kontak. Jika terjadi kontak secara tidak sengaja, bilas dengan air. Jika cairan mengenai mata, cari bantuan medis.** Cairan yang keluar dari baterai bisa menyebabkan iritasi atau luka bakar.
5. **Jangan menggunakan paket baterai atau mesin yang sudah rusak atau telah diubah.** Baterai yang rusak atau telah diubah dapat menyebabkan hal-hal yang tidak dapat diprediksi yang dapat menyebabkan kebakaran, ledakan atau risiko cedera.
6. **Jangan membiarkan paket baterai atau mesin dekat dengan api atau suhu yang berlebihan.** Paparan api atau suhu di atas 130 °C dapat menyebabkan ledakan.
7. **Ikuti semua petunjuk pengisian daya dan jangan mengisi daya paket baterai atau mesin di luar rentang suhu yang ditentukan di panduan.** Mengisi daya secara tidak tepat atau pada suhu di luar rentang yang ditentukan dapat merusak baterai dan meningkatkan risiko kebakaran.

Servis

1. **Berikan mesin listrik untuk diperbaiki hanya kepada oleh teknisi yang berkualifikasi dengan menggunakan hanya suku cadang pengganti yang serupa.** Hal ini akan menjamin terjaganya keamanan mesin listrik.
2. **Jangan pernah memperbaiki paket baterai yang sudah rusak.** Perbaikan paket baterai harus dilakukan hanya oleh produsen atau penyedia servis resmi.
3. **Patuhi petunjuk pelumasan dan penggantian aksesoris.**

Peringatan Keselamatan Mesin Pemotong Rumput Tanpa Kabel

Petunjuk Umum

1. **Untuk memastikan penggunaan yang benar, pengguna harus membaca panduan ini agar lebih memahami penanganan alat.** Pengguna yang tidak memiliki pengetahuan yang memadai berisiko membahayakan diri sendiri dan orang lain karena penanganan yang tidak semestinya.
2. **Anak kecil, orang dengan kekurangan kemampuan fisik, indra, atau mental atau orang awam atau orang yang tidak dapat memahami petunjuk ini dilarang menggunakan mesin ini, peraturan setempat mungkin akan membatasi umur pengguna.**
3. **Gunakan peralatan dengan teliti dan penuh perhatian.**

4. **Hanya gunakan peralatan ketika kondisi fisik Anda memadai.** Lakukan semua pekerjaan dengan tenang dan hati-hati. Gunakan akal sehat dan ingat bahwa operator atau pengguna bertanggung jawab atas kecelakaan atau bahaya yang terjadi pada orang-orang lain atau propertinya.
5. **Jangan gunakan mesin jika ada orang, khususnya anak-anak, atau binatang peliharaan di dekatnya.**
6. **Segera matikan motor jika peralatan menunjukkan masalah atau tanda-tanda abnormal.**
7. **Matikan dan lepas kartrid baterai saat beristirahat atau meninggalkan peralatan tanpa pengawasan, dan letakkan di tempat yang aman untuk mencegah bahaya terjadi pada orang lain atau peralatan tersebut.**
8. **Hindari menggunakan mesin saat kondisi cuaca buruk terutama jika berisiko adanya sambaran petir.**

Alat pelindung diri

1. **Gunakan pelindung bilah dan sepatu dengan bahan kulit saat mengoperasikan mesin.**
2. **Selalu kenakan alas kaki dan celana panjang yang memadai saat mengoperasikan mesin.**

Menyalakan peralatan

1. **Pastikan tidak ada anak-anak atau orang lain di sekitar, juga perhatikan jika ada binatang di area kerja.** Jika tidak, hentikan penggunaan peralatan.
2. **Sebelum menggunakan, selalu periksa bahwa peralatan aman untuk dioperasikan.** Periksa keamanan alat pemotong dan pelindung dan pelatuk sakelar untuk gerakan yang memadai dan mudah. Pastikan pegangan telah bersih dan kering serta coba fungsi nyalah/mati.
3. **Periksa jika ada bagian yang rusak sebelum menggunakan peralatan lebih lanjut.** Pelindung dan bagian lainnya yang rusak harus diperiksa secara cermat untuk menentukan apakah mesin akan bekerja dengan baik dan berfungsi sesuai yang diharapkan. Periksa kesejajaran bagian yang berputar, macetnya gerakan bagian yang berputar, kerusakan komponen, kondisi pemasangan dan hal lain yang dapat memengaruhi kerja mesin. Pelindung atau bagian lain yang rusak harus diperbaiki dengan tepat atau diganti oleh pusat layanan resmi kecuali jika petunjuk ini menyebutkan keterangan lain.

4. **Nyalakan motor hanya saat tangan dan kaki jauh dari alat pemotong.**
5. **Sebelum memulai pastikan alat pemotong tidak bersentuhan dengan benda lain.**

Metode penggunaan

1. **Hanya gunakan peralatan dalam pencahayaan dan pandangan yang baik.** Saat musim dingin hati-hati terhadap area licin atau basah, es dan salju (risiko tergelincir). Selalu pastikan pijakan yang Anda gunakan aman pada area miring dan pastikan Anda selalu berjalan dan tidak berlari.

2. Berhati-hatilah terhadap cedera pada kaki dan tangan karena alat pemotong.
3. Dilarang menjalankan peralatan saat berdiri di tangga.
4. Dilarang memanjat pohon untuk memotong menggunakan peralatan.
5. Dilarang bekerja di atas permukaan yang tidak stabil.
6. Bersihkan pasir, batu, paku, dll. yang ditemukan dalam jangkauan kerja. Partikel asing dapat merusak alat pemotong dan menyebabkan sentakan balik yang berbahaya.
7. Jika alat pemotong mengenai batu atau benda keras lainnya, segera matikan motor dan periksa alat pemotong.
8. Sesekali periksa alat pemotong apakah terjadi kerusakan (periksa adanya retakan dengan mengetuk).
9. Sebelum mulai memotong, alat pemotong harus mencapai kecepatan kerja penuh.
10. Alat pemotong harus dilengkapi dengan pelindung yang memadai. Dilarang menjalankan peralatan dengan pelindung yang rusak atau tanpa pelindung!
11. Semua pelindung dan pemasangan perlindungan yang disertakan dengan alat harus digunakan saat penggunaan.
12. Selalu lepas kartrid baterai dari peralatan:
 - saat meninggalkan peralatan tanpa pengawasan;
 - sebelum membersihkan sumbatan;
 - sebelum memeriksa, membersihkan atau menggunakan peralatan;
 - setelah pemotong membentur benda asing;
 - saat peralatan mulai bergetar secara abnormal.
13. Selalu pastikan saluran ventilasi bebas dari serpihan.
14. Bagian pemotong tetap menyala setelah motor dimatikan.
15. Jika bilah pisau berhenti bergerak karena benda asing tersangkut di antara bilah pisau selama pengoperasian, matikan mesin dan lepaskan kartrid baterai, lalu keluarkan benda asing menggunakan alat seperti tang. Mengeluarkan benda asing dengan tangan dapat menyebabkan cedera karena bilah pisau dapat bergerak sebagai akibat dari dikeluarkannya benda asing tersebut.

Alat Pemotong

Hanya gunakan alat pemotong yang sesuai dengan pekerjaan yang diperlukan.

Petunjuk perawatan

1. Kondisi peralatan, khususnya peralatan pelindung alat pemotong harus diperiksa sebelum mulai bekerja.
2. Matikan motor dan lepaskan kartrid baterai sebelum memulai perawatan, mengganti alat pemotong atau membersihkan peralatan atau alat pemotong.

3. Saat tidak digunakan, simpan peralatan di dalam ruangan kering dan tinggi atau ruangan yang terkunci - jauh dari jangkauan anak-anak. Bersihkan dan rawat peralatan sebelum disimpan.

SIMPAN PETUNJUK INI.

PERINGATAN: JANGAN biarkan kenyamanan atau terbiasanya Anda dengan produk (karena penggunaan berulang) mengurangi kepatuhan yang ketat terhadap aturan keselamatan untuk produk yang terkait. **PENYALAHGUNAAN** atau kelalaian mematuhi kaidah keselamatan yang tertera dalam petunjuk ini dapat menyebabkan cedera badan serius.

Peringatan Keselamatan Alat Pemotong Tanaman Tanpa Kabel

1. **Jauhkan bagian tubuh Anda dari bilah pisau. Jangan ambil material pemotongan atau penahan saat bilah pisau bergerak.** Bilah pisau masih tetap berputar setelah sakelar daya apa pun. Cedera serius dapat terjadi meskipun sesaat saja Anda lalai ketika menggunakan alat pemotong tanaman.
2. **Bawa alat pemotong tanaman dengan gagangnya dengan kondisi bilah pisau berhenti dan hati-hatilah, jangan sampai Anda mengaktifkan sakelar daya apa pun.** Membawa alat pemotong tanaman dengan benar akan mengurangi risiko awal akibat kelalaian dan cedera pribadi yang diakibatkan oleh bilah pisau.
3. **Ketika membawa atau menyimpan alat pemotong tanaman, selalu pasang penutup bilah pisau.** Penanganan alat pemotong tanaman yang benar akan mengurangi risiko cedera pribadi yang diakibatkan oleh bilah pisau.
4. **Saat membersihkan bahan yang macet atau memperbaiki unit, pastikan semua sakelar daya mati dan baterai dilepas atau tidak tersambung.** Aktuasi tak terduga dari alat pemotong tanaman saat pengguna membersihkan material yang macet atau melakukan servis dapat mengakibatkan cedera pribadi yang serius.
5. **Pegang alat pemotong tanaman hanya pada permukaan genggam yang terisolasi, karena bilah pisau mungkin bersentuhan dengan kawat atau kabel tersembunyi.** Bilah pisau yang menyentuh kawat "beraliran listrik" dapat menyebabkan bagian logam pada alat pemotong tanaman teraliri arus listrik dan menyengat pengguna.
6. **Jauhkan semua kabel daya dan kabel dari area pemotongan.** Kabel daya atau kabel bisa jadi tersembunyi di pagar atau semak-semak dan dapat terpotong secara tidak sengaja oleh bilah pisau.
7. **Jangan gunakan alat pemotong tanaman saat kondisi cuaca buruk, terutama jika terdapat risiko sambaran petir.** Hal ini akan mengurangi risiko disambar petir.
8. **BAHAYA: Jauhkan tangan Anda dari mata pisau.** Sentuhan dengan mata pisau dapat mengakibatkan cedera badan serius.

9. **Berusaha menjangkau alat pemotong tanaman terlalu jauh terutama menggunakan tangga sangatlah berbahaya.** Jangan bekerja di atas pijakan yang goyah atau tidak kuat.
10. **Jangan gunakan alat pemotong tanaman saat hujan atau kondisi basah dan lembap.** Motor listrik tidak tahan air.
11. **Pengguna awam harus meminta bantuan orang yang berpengalaman dalam penggunaan alat pemotong tanaman untuk menunjukkan cara menggunakan alat.**
12. **Alat pemotong tanaman tidak boleh digunakan oleh anak-anak atau usia di bawah 18 tahun.** Orang dengan berusia di atas 16 tahun diperbolehkan menggunakan alat ini hanya jika telah menjalani pelatihan dengan pengawasan ahli.
13. **Hanya gunakan alat pemotong tanaman ketika kondisi fisik Anda memadai.** Apabila Anda lelah, perhatian Anda mungkin dapat menurun. Berhati-hatilah ketika pekerjaan hampir selesai. Lakukan semua pekerjaan dengan tenang dan hati-hati. Pengguna bertanggung jawab atas semua kerusakan yang terjadi pada pihak ketiga.
14. **Jangan pernah gunakan pemotong ketika Anda berada dalam pengaruh alkohol, obat-obatan, atau dalam masa pengobatan.**
15. **Sarung tangan kerja dengan bahan kulit merupakan alat standar untuk alat pemotong tanaman dan harus selalu dikenakan ketika menggunakan pemotong.** Kenakan juga sepatu yang kuat dengan sol anti-selip.
16. **Sebelum memulai kerja, periksa dan pastikan pemotong berada pada kondisi yang baik dan aman.** Pastikan seluruh pelindung terpasang dengan benar. Alat pemotong tanaman tidak boleh digunakan kecuali telah terpasang dengan lengkap.
17. **Pastikan Anda memiliki pijakan yang aman sebelum mulai mengoperasikan mesin.**
18. **Pegang mesin dengan kuat saat menggunakannya.**
19. **Jangan mengoperasikan mesin tanpa beban yang tidak diperlukan.**
20. **Segera matikan motor dan lepas kartrid baterai apabila pemotong menyentuh pagar atau benda keras lainnya.** Periksa kerusakan pada pemotong dan segera perbaiki bila perlu.
21. **Sebelum memeriksa pemotong, memperbaiki kerusakan, atau membersihkan material yang tersangkut pada pemotong, selalu matikan pemotong dan lepaskan kartrid baterai.**
22. **Matikan pemotong dan lepaskan kartrid baterai sebelum melakukan pekerjaan perawatan apa pun.**
23. **Ketika memindahkan alat pemotong tanaman ke lokasi lain, termasuk selama melakukan pekerjaan, selalu lepaskan kartrid baterai dan pasang penutup bilah pisau pada bilah pisau pemotong.** Jangan pernah membawa atau memindahkan pemotong yang masih beroperasi. Jangan pernah genggam pisau pemotong menggunakan tangan.
24. **Bersihkan alat pemotong tanaman setelah digunakan dan sebelum menyimpan pemotong dalam waktu yang lama.** Sedikit lumasi pemotong dan masukkan ke dalam penutupnya. Penutup yang disertakan dengan mesin dapat digantung di dinding, sehingga alat pemotong tanaman dapat disimpan dengan aman dan praktis.
25. **Simpan alat pemotong tanaman dengan penutupnya di ruangan yang kering.** Jauhkan dari jangkauan anak-anak. Jangan pernah simpan mesin profil di luar ruangan.
26. **Jangan arahkan bilah pisau pemangkas ke diri sendiri atau orang lain.**
27. **Jika bilah pisau berhenti bergerak karena benda asing tersangkut di antara bilah pisau selama pengoperasian, matikan mesin dan lepaskan kartrid baterai, lalu keluarkan benda asing menggunakan alat seperti tang.** Mengeluarkan benda asing dengan tangan dapat menyebabkan cedera karena bilah pisau dapat bergerak sebagai akibat dari dikeluarkannya benda asing tersebut.
28. **Hindari lingkungan berbahaya.** Jangan gunakan mesin di lokasi yang lembap dan basah, atau membiarkannya terkena hujan. Air yang masuk ke dalam mesin akan meningkatkan risiko sengatan listrik.
29. **Jangan buang baterai ke dalam api.** Sel dapat meledak. Periksa ketentuan lokal untuk petunjuk pembuangan khusus.
30. **Jangan membuka atau membongkar baterai.** Elektrolit yang terlepas bersifat korosif dan dapat menyebabkan iritasi pada mata atau kulit. Elektrolit yang terlepas beracun jika tertelan.
31. **Jangan mengisi daya baterai saat hujan, atau di lokasi yang basah.**
32. **Periksa tanaman pagar dan belukar apakah ada benda asing di dalamnya, seperti pagar kawat atau kawat yang tersembunyi sebelum mengoperasikan alat.**

SIMPAN PETUNJUK INI.

⚠️ PERINGATAN: JANGAN biarkan kenyamanan atau terbiasanya Anda dengan produk (karena penggunaan berulang) mengurangi kepatuhan yang ketat terhadap aturan keselamatan untuk produk yang terkait. **PENYALAHGUNAAN** atau kelalaian mematuhi kaidah keselamatan yang tertera dalam petunjuk ini dapat menyebabkan cedera badan serius.

Petunjuk keselamatan penting untuk kartrid baterai

1. **Sebelum menggunakan kartrid baterai, bacalah semua petunjuk dan penandaan pada (1) pengisi daya baterai, (2) baterai, dan (3) produk yang menggunakan baterai.**
2. **Jangan membongkar atau memodifikasi kartrid baterai.** Tindakan tersebut dapat menimbulkan api, panas berlebih, atau ledakan.

3. Jika waktu beroperasinya menjadi sangat singkat, segera hentikan penggunaan. Hal tersebut dapat menimbulkan risiko panas berlebih, kemungkinan mengalami luka bakar atau bahkan terjadi ledakan.
4. Jika elektrolit mengenai mata Anda, basuh dengan air bersih dan segera cari pertolongan medis. Hal tersebut dapat mengakibatkan hilangnya kemampuan penglihatan Anda.
5. Jangan menghubungkan terminal kartrid baterai:
 - (1) Jangan menyentuh terminal dengan bahan penghantar listrik apa pun.
 - (2) Hindari menyimpan kartrid baterai pada wadah yang berisi benda logam lain seperti paku, uang logam, dsb.
 - (3) Jangan membiarkan baterai terkena air atau keujanan.

Hubungan singkat baterai dapat menyebabkan aliran arus listrik yang besar, panas berlebih, kemungkinan mengalami luka bakar dan bahkan kerusakan pada baterai.
6. Jangan menyimpan dan menggunakan mesin dan kartrid baterai pada lokasi dengan suhu yang bisa mencapai atau melebihi 50 °C (122 °F).
7. Jangan membuang kartrid baterai di tempat pembakaran sampah walaupun benar-benar rusak atau tidak bisa digunakan sama sekali. Kartrid baterai bisa meledak jika terbakar.
8. Jangan memaku, memotong, menghancurkan, melempar, menjatuhkan kartrid baterai, atau memukulkan benda keras ke kartrid baterai. Tindakan tersebut dapat menimbulkan api, panas berlebih, atau ledakan.
9. Jangan menggunakan baterai yang rusak.
10. Baterai litium-ion yang disertakan sesuai dengan persyaratan Perundangan Makanan Berbahaya.

Harus ada pengawasan untuk pengangkutan komersial misalnya oleh pihak ketiga, ekspeditor, persyaratan khusus terhadap pengemasan dan pelabelan.

Diperlukan adanya konsultasi dengan ahli mengenai material berbahaya untuk persiapan barang yang akan dikirimkan. Perhatikan pula peraturan nasional yang lebih terperinci yang mungkin ada.

Beri perekat atau tutupi bagian yang terbuka dan kemas baterai dengan cara yang tidak akan menimbulkan pergeseran dalam pengemasan.
11. Ketika membuang kartrid baterai, lepaskan dari mesin dan buang ke tempat yang aman. Patuhi peraturan setempat yang berkaitan dengan pembuangan baterai.
12. Gunakan baterai hanya dengan produk yang ditentukan oleh Makita. Memasang baterai pada produk yang tidak sesuai dapat menyebabkan kebakaran, kelebihan panas, ledakan, atau kebocoran elektrolit.
13. Jika mesin tidak digunakan dalam jangka waktu yang lama, baterai harus dilepas dari mesin.
14. Selama dan setelah digunakan, kartrid baterai mungkin menyimpan panas yang dapat menyebabkan luka bakar atau luka bakar suhu rendah. Perhatikan cara memegang kartrid baterai yang masih panas.
15. Jangan langsung menyentuh terminal mesin setelah digunakan karena suhunya mungkin cukup panas untuk menyebabkan luka bakar.
16. Jangan biarkan serpihan, debu, atau tanah menempel di terminal, lubang, dan alur kartrid baterai. Hal tersebut dapat mengakibatkan kinerja buruk atau kerusakan mesin maupun kartrid baterai.
17. Kecuali jika mesin mendukung penggunaan di dekat saluran listrik bertegangan tinggi, jangan gunakan kartrid baterai di dekat saluran listrik bertegangan tinggi. Hal tersebut dapat mengakibatkan kegagalan fungsi atau kerusakan mesin maupun kartrid baterai.
18. Jauhkan baterai dari jangkauan anak-anak.

SIMPAN PETUNJUK INI.

⚠PERHATIAN: Gunakan baterai asli Makita. Penggunaan baterai Makita yang tidak asli, atau baterai yang sudah diubah, akan mengakibatkan baterai mudah terbakar, cedera dan kerusakan. Akan menghilangkan garansi Makita pada pengisi daya dan alat Makita.

Tip untuk menjaga agar umur pemakaian baterai maksimum

1. Isi ulang kartrid baterai sebelum habis sama sekali. Selalu hentikan penggunaan mesin dan ganti kartrid baterai jika Anda melihat bahwa mesin kurang tenaga.
2. Jangan pernah mengisi ulang kartrid baterai yang sudah diisi penuh. Pengisian ulang yang berlebih memperpendek umur pemakaian baterai.
3. Isi ulang kartrid baterai pada suhu ruangan 10 °C - 40 °C. Biarkan kartrid baterai yang panas menjadi dingin terlebih dahulu sebelum diisi ulang.
4. Saat kartrid baterai tidak digunakan, lepaskan dari mesin atau pengisi daya.

DESKRIPSI FUNGSI

⚠PERHATIAN: Selalu pastikan bahwa mesin dimatikan dan kartrid baterai dilepas sebelum menyetel atau memeriksa kerja mesin.

Menggunakan alat ini sebagai pemangkas rumput/alat pemotong tanaman tanpa kabel

Untuk UM600D

Alat ini dapat digunakan sebagai pemotong tanaman tanpa kabel dengan memasang bilah pisau pemangkas untuk alat pemotong tanaman (aksesori pilihan).

Untuk UH201D

Alat ini dapat digunakan sebagai pemangkas rumput tanpa kabel dengan memasang bilah pisau pemangkas untuk menggantung rumput (aksesori pilihan).

Memasang atau melepas baterai

⚠️ PERHATIAN: Selalu matikan mesin sebelum memasang atau melepas kartrid baterai.

⚠️ PERHATIAN: Pegang mesin dan kartrid baterai kuat-kuat saat memasang atau melepas kartrid baterai. Kelalaian untuk memegang mesin dan kartrid baterai kuat-kuat bisa menyebabkan keduanya tergelincir dari tangan Anda dan mengakibatkan kerusakan pada mesin dan kartrid baterai dan cedera diri.

- **Gbr.1:** 1. Indikator berwarna merah 2. Tombol
3. Kartrid baterai

Untuk melepas kartrid baterai, geser dari mesin sambil menggeser tombol pada bagian depan kartrid.

Untuk memasang kartrid baterai, sejajarkan lidah kartrid baterai dengan alur pada rumah dan masukkan ke dalam tempatnya. Masukkan seluruhnya sampai terkunci pada tempatnya dan terdengar bunyi klik kecil. Jika Anda bisa melihat indikator berwarna merah seperti yang ditunjukkan pada gambar, ini artinya kartrid baterai tidak terkunci sempurna.

⚠️ PERHATIAN: Selalu pasang kartrid baterai sepenuhnya sampai indikator berwarna merah tidak terlihat. Jika tidak, bisa terlepas dari mesin secara tidak sengaja, menyebabkan luka pada Anda atau orang di sekitar Anda.

⚠️ PERHATIAN: Jangan memasang kartrid baterai secara paksa. Jika kartrid tidak bergeser dengan mudah, berarti tidak dimasukkan dengan benar.

Mengindikasikan kapasitas baterai yang tersisa

Hanya untuk kartrid baterai dengan indikator

- **Gbr.2:** 1. Lampu indikator 2. Tombol pemeriksaan

Tekan tombol pemeriksaan pada kartrid baterai untuk melihat kapasitas baterai yang tersisa. Lampu indikator menyala selama beberapa detik.

Lampu indikator		Kapasitas yang tersisa
Menyala	Mati	
		75% hingga 100%
		50% hingga 75%
		25% hingga 50%
		0% hingga 25%

CATATAN: Tergantung kondisi penggunaan dan suhu lingkungannya, penunjukkan mungkin saja sedikit berbeda dari kapasitas sebenarnya.

Sistem perlindungan mesin / baterai

Mesin ini dilengkapi dengan sistem perlindungan mesin/ baterai. Sistem ini memutus daya ke motor secara otomatis untuk memperpanjang umur pakai mesin dan baterai. Mesin akan berhenti secara otomatis saat dioperasikan jika mesin atau baterai mengalami salah satu dari kondisi-kondisi berikut ini:

Perlindungan kelebihan beban

Jika baterai digunakan dengan cara yang menjadikan baterai mengeluarkan arus tinggi yang berlebihan, mesin akan berhenti secara otomatis. Dalam situasi ini, matikan mesin dan hentikan pekerjaan yang menyebabkan mesin mengalami kelebihan beban. Kemudian, nyalakan mesin untuk kembali melanjutkan pekerjaan.

Perlindungan panas berlebih

Apabila mesin atau baterai terlalu panas, mesin akan berhenti secara otomatis dan lampu akan berkedip. Pada keadaan ini, tunggu hingga mesin dan baterai mendingin sebelum dinyalakan kembali.

Perlindungan pengisian daya berlebih

Ketika kapasitas baterai tidak cukup, mesin akan berhenti secara otomatis. Jika Anda menyalakan mesin, motor akan menyala lagi tetapi segera berhenti. Dalam kondisi ini, lepaskan baterai dari mesin dan isi ulang daya baterai.

Kerja sakelar

⚠️ PERINGATAN: Sebelum memasukkan kartrid baterai pada mesin, pastikan picu saklar berfungsi dengan baik dan kembali ke posisi "OFF" saat dilepas.

⚠️ PERINGATAN: Untuk keselamatan Anda, mesin ini dilengkapi tombol buka kunci untuk mencegah hidupnya mesin secara tidak disengaja. Jangan pernah menggunakan mesin jika mesin tersebut menyala ketika Anda hanya menarik pelatuk sakelarnya tanpa menekan tombol buka kunci. Mintalah kepada Pusat Layanan Makita terdekat untuk memperbaikinya.

⚠️ PERINGATAN: Jangan pernah menonaktifkan fungsi pengunci atau melakban tombol buka kunci.

PEMBERITAHUAN: Jangan menarik pelatuk sakelar dengan paksa tanpa menekan tombol buka kunci. Sakelar dapat patah.

- **Gbr.3:** 1. Pelatuk sakelar 2. Tombol pengunci

Untuk mencegah pelatuk sakelar tertarik dengan tidak sengaja, tersedia sebuah tombol pengunci.

Untuk menjalankan mesin, tekan tombol buka kunci dan tarik pelatuk sakelar. Lepaskan pelatuk sakelar untuk berhenti. Tombol buka kunci dapat ditekan dari sisi kanan maupun kiri.

Lampu indikator

Lampu indikator akan berkedip atau menyala saat kapasitas baterai yang tersisa rendah atau kosong. Lampu indikator juga akan menyala saat alat kelebihan beban.

► **Gbr.4:** 1. Lampu indikator

Status lampu dan langkah yang harus dilakukan

Lampu indikator	Status	Langkah-langkah yang diambil
Lampu berkedip dengan warna merah.	Kapasitas baterai yang tersisa rendah.	Isi ulang baterai.
Lampu menyala dengan warna merah. *	Alat berhenti bekerja karena kapasitas baterai kosong.	Isi ulang baterai.
	Alat berhenti bekerja karena kelebihan beban.	Matikan alat.

*Dalam kondisi lampu indikator mulai menyala, berbeda tergantung pada suhu di sekitar tempat kerja dan kondisi kartrid baterai.

Menyetel tinggi pengguntingan (untuk pemangkas rumput)

PERHATIAN: Saat mengganti tinggi pengguntingan, pastikan Anda memasang penutup pisau dan hati-hati agar jari tidak terjepit di antara alat dan pengumpul rumput.

Tinggi pengguntingan dapat diatur pada tiga tingkat (15 mm, 20 mm, dan 25 mm) dengan mengganti posisi pemasangan pengumpul rumput. Tinggi pengguntingan tanpa pengumpul rumput sekitar 10 mm.

1. Geser pengumpul rumput ke bagian depan alat.

► **Gbr.5:** 1. Pengumpul rumput

2. Ganti posisi pengumpul rumput dengan menggerakannya sesuai arah panah.

► **Gbr.6**

CATATAN: Nilai tinggi pengguntingan merupakan panduan. Tinggi pengguntingan sebenarnya dapat berbeda tergantung kondisi rumput atau tanah.

CATATAN: Lakukan percobaan memotong di tempat yang aman untuk menentukan ketinggian yang Anda inginkan.

PERAKITAN

PERHATIAN: Selalu pastikan bahwa mesin dimatikan dan kartrid baterai dilepas sebelum melakukan pekerjaan apa pun pada mesin.

PERHATIAN: Ketika mengganti bilah pisau pemangkas, selalu kenakan sarung tangan dan pasang penutup pisau sehingga tangan dan wajah tidak menyentuh bilah pisau secara langsung.

PEMBERITAHUAN: Ketika mengganti bilah pisau pemangkas, jangan bersihkan gemuk pada gir dan engkol.

Memasang atau melepas penutup bilah pisau

PERHATIAN: Hati-hati agar tidak menyentuh pisau saat memasang atau melepas penutup pisau.

Untuk melepas pisau, tarik sedikit kemudian geser ke samping. Untuk memasang penutup bilah pisau, lakukan kebalikan langkah sebelumnya.

► **Gbr.7**

Memasang atau melepas pengumpul rumput

PERHATIAN: Saat memasang atau melepas pengumpul rumput, pastikan Anda memasang penutup pisau dan hati-hati agar jari tidak terjepit di antara alat dan pengumpul rumput.

Melepas pengumpul rumput

1. Lepaskan tonjolan pada pengumpul rumput dari alur pada alat sambil menggeser pengumpul rumput ke bagian depan alat.

► **Gbr.8:** 1. Pengumpul rumput

2. Lepaskan engsel pengumpul rumput dari alat.

Memasang pengumpul rumput

1. Kaitkan engsel pengumpul rumput pada alur alat.
► **Gbr.9:** 1. Engsel 2. Pengumpul rumput

2. Sejajarkan tonjolan pada pengumpul rumput dengan alur pada alat dengan menggeser pengumpul rumput mengarah ke depan alat dan menggerakannya sesuai dengan arah panah.



► **Gbr.10**

PEMBERITAHUAN: Jangan kaitkan engsel pengumpul rumput pada alat dengan paksa setelah menyejajarkan tonjolan pada pengumpul rumput dengan alur pada alat.





Memasang atau melepaskan bilah pisau pemangkas untuk pemangkas rumput

PEMBERITAHUAN: Jika bagian selain bilah pisau pemangkas, misalnya engkol, telah aus, hubungi Pusat Servis Resmi Makita untuk penggantian atau perbaikan suku cadang.

Melepas bilah pisau pemangkas

1. Lepaskan pengumpul rumput dan putar alat secara terbalik.
▶ **Gbr.11**
2. Sambil menekan tuas kunci, putar penutup bawah berlawanan arah jarum jam hingga  pada penutup sejajar dengan  pada tuas kunci.
▶ **Gbr.12**
3. Lepaskan penutup bawah, bilah pisau pemangkas, dan engkol.
▶ **Gbr.13:** 1. Penutup bawah 2. Bilah pisau pemangkas 3. Engkol

Memasang bilah pisau pemangkas

1. Siapkan engkol, penutup bawah dan bilah pisau pemangkas yang baru.
▶ **Gbr.14:** 1. Engkol 2. Penutup bawah 3. Bilah pisau pemangkas
2. Lepaskan penutup pisau dari bilah pisau pemangkas yang lama dan pasang pada bilah pisau pemangkas yang baru.
▶ **Gbr.15**
3. Setel ketiga pasak sehingga semuanya sejajar pada garis.
▶ **Gbr.16:** 1. Garis sejajar
4. Oleskan sedikit gemuk pada periferi engkol. Pasang engkol pada pasak dengan posisi bagian bulat kecil dan besar menghadap ke atas.
▶ **Gbr.17:** 1. Engkol
5. Setel pisau dan pelat dudukan sehingga lubang di pelat dudukan dan kedua tonjolan pada pisau sejajar.
▶ **Gbr.18**
6. Putar bilah pisau pemangkas secara terbalik dan pasang sehingga pasak pada alat masuk ke dalam lubang di pelat dudukan. Pastikan bilah pisau pemangkas benar-benar terpasang dengan kuat.
▶ **Gbr.19**
7. Pasang penutup bawah sehingga  pada penutup bawah sejajar dengan  pada tuas kunci.
▶ **Gbr.20**
8. Sambil menekan penutup bawah, putar penutup bawah searah jarum jam hingga  pada penutup bawah sejajar dengan  pada tuas kunci.
▶ **Gbr.21**
9. Pastikan tuas kunci sudah terpasang dengan aman pada alur penutup bawah.
▶ **Gbr.22:** 1. Tuas kunci

PERHATIAN: Dilarang menggunakan alat tanpa memasang penutup bawah.

10. Lepaskan penutup bilah pisau dan putar mesin untuk memastikan alat tersebut bekerja secara memadai.



PEMBERITAHUAN: Jika bilah pisau pemangkas tidak bekerja secara memadai, pisau tidak menjalankan engkol dengan benar. Lepaskan pisau dan pasang kembali.

Memasang atau melepaskan bilah pisau pemangkas untuk alat pemotong tanaman

PERHATIAN: Pasang penutup pisau sebelum melepas atau memasang bilah pisau pemangkas.

PEMBERITAHUAN: Jika bagian selain bilah pisau pemangkas, misalnya engkol, telah aus, hubungi Pusat Servis Resmi Makita untuk penggantian atau perbaikan suku cadang.

Melepas bilah pisau pemangkas

1. Letakkan mesin dengan sisi atasnya berada di bawah.
▶ **Gbr.23**
2. Sambil menekan tuas kunci, putar penutup bawah berlawanan arah jarum jam hingga  pada penutup sejajar dengan  pada tuas kunci.
▶ **Gbr.24**
3. Lepaskan penutup bawah.
▶ **Gbr.25**
4. Kendurkan kedua sekrup menggunakan obeng dan lepas bilah pisau pemangkas.
▶ **Gbr.26:** 1. Sekrup

CATATAN: Bilah pisau pemangkas dapat dilepas tanpa melepaskan sekrup.




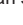
5. Lepaskan engkol dari bilah pisau pemangkas.
▶ **Gbr.27:** 1. Engkol

CATATAN: Engkol dapat tetap terpasang pada dalam alat.

Pasang penutup pisau dan bungkus penyimpanan ke bilah pisau pemangkas yang telah dilepas, kemudian simpan.

Memasang bilah pisau pemangkas

1. Siapkan engkol, penutup bawah dan bilah pisau pemangkas yang baru.
▶ **Gbr.28:** 1. Engkol 2. Penutup bawah 3. Bilah pisau pemangkas
2. Pasang penutup pisau pada bilah pisau pemangkas.
▶ **Gbr.29**

3. Setel ketiga pasak sehingga semuanya sejajar pada garis.
▶ **Gbr.30:** 1. Garis sejajar
4. Oleskan sedikit gemuk pada periferi engkol. Pasang engkol pada pasak dengan posisi bagian bulat kecil dan besar menghadap ke bawah.
▶ **Gbr.31:** 1. Engkol
5. Geser bilah pisau pemangkas sehingga lubang pada pelat dudukan berada di tengah kedua cincin pisau.
▶ **Gbr.32**
6. Putar bilah pisau pemangkas secara terbalik dan pasang sehingga pasak pada alat masuk ke dalam lubang di bilah pisau pemangkas. Masukkan jepit pelat dudukan ke dalam alur yang ada pada mesin. Pastikan bilah pisau pemangkas benar-benar terpasang dengan kuat.
▶ **Gbr.33:** 1. Penjepit
7. Kencangkan kedua sekrup menggunakan obeng.
▶ **Gbr.34:** 1. Sekrup
8. Pasang penutup bawah sehingga  pada penutup bawah sejajar dengan  pada tuas kunci.
▶ **Gbr.35**
9. Sambil menekan penutup bawah, putar searah jarum jam hingga  pada penutup bawah sejajar dengan  pada tuas kunci.
▶ **Gbr.36**
10. Pastikan tuas kunci sudah terpasang dengan aman pada alur penutup bawah.
▶ **Gbr.37:** 1. Tuas kunci

PERHATIAN: Dilarang menggunakan alat tanpa memasang penutup bawah.

11. Lepaskan penutup bilah pisau dan putar mesin untuk memastikan alat tersebut bekerja secara memadai.

PEMBERITAHUAN: Jika bilah pisau pemangkas tidak bekerja secara memadai, pisau tidak menjalankan engkol dengan benar. Lepaskan pisau dan pasang kembali.

Memasang atau melepas pengumpul serpihan

Pilihan aksesoris

PERHATIAN: Ketika mengganti pengumpul serpihan, selalu kenakan sarung tangan dan pasang penutup pisau sehingga tangan dan wajah tidak menyentuh bilah pisau secara langsung.

Pengumpul serpihan mengumpulkan daun yang terbuang dan membuat pembersihan selanjutnya lebih mudah. Dapat dipasang pada salah satu sisi mesin.

Untuk memasang pengumpul serpihan, tekan pengumpul serpihan pada pisau pemangkas sehingga kaitnya masuk ke lubang bilah pisau pemangkas.

- ▶ **Gbr.38:** 1. Kait 2. Lubang

Untuk melepas pengumpul serpihan, tekan tuas di kedua sisi untuk melepas kait.

- ▶ **Gbr.39:** 1. Tuas

PEMBERITAHUAN: Jangan pernah melepas pengumpul serpihan dengan paksa saat kaitnya masih terkunci pada lubang bilah pisau.

PENGUNAAN

PERINGATAN: Sebelum menggunting, bersihkan semua batang dan batu dari area pengguntingan. Selain itu, bersihkan terlebih dahulu semua semak dari area pengguntingan.

- ▶ **Gbr.40**

PERINGATAN: Jauhkan tangan Anda dari pisau.

PERHATIAN: Hindari penggunaan alat dalam kondisi cuaca yang sangat panas jika memungkinkan. Saat menggunakan alat, jaga kondisi fisik Anda.

Menggunting (untuk pemangkas rumput)

Nyalakan alat setelah menyetel ketinggian pengguntingan dan pegang alat sehingga bagian bawah alat bersandar pada tanah. Gerakkan mesin arah maju dengan hati-hati.

- ▶ **Gbr.41**

Saat memotong di sekitar trotoar, pagar, atau pohon, gerakkan alat di tepinya. Berhati-hatilah agar pisau tidak menyentuhnya.

- ▶ **Gbr.42**

Saat memotong tunas atau daun pohon kecil, potong sedikit demi sedikit.

- ▶ **Gbr.43**

Potong cabang yang besar pada ketinggian yang diinginkan menggunakan pemotong cabang sebelum menggunakan alat ini.

PEMBERITAHUAN: Jangan menggunakan alat ini dengan cara yang menyebabkan motor berhenti berputar atau berputar dengan sangat lambat.

PEMBERITAHUAN: Jangan mencoba memotong cabang yang tebal.

PEMBERITAHUAN: Hindari bilah pisau pemangkas bersentuhan dengan tanah saat pengoperasian. Pisau akan tumpul, yang menyebabkan kinerja rendah.

PEMBERITAHUAN: Jangan memotong rumput basah atau daun pohon kecil.

Memotong rumput panjang

Jangan mencoba memotong rumput tinggi sekaligus. Sebaliknya, potong rumput secara bertahap. Beri jeda satu atau dua hari antar pemotongan hingga rumput terpotong pendek secara merata.

► Gbr.44

CATATAN: Memotong rumput tinggi sekaligus menjadi pendek dapat mengakibatkan rumput mati.

Memotong (untuk alat pemotong tanaman)

⚠PERHATIAN: Berhati-hatilah agar tidak menyentuh pagar besi atau benda keras lainnya selama pemotongan. Bilah pisau dapat pecah dan dapat menimbulkan cedera.

⚠PERHATIAN: Berhati-hatilah agar bilah pisau pemangkas tidak bersentuhan dengan tanah. Mesin dapat terpental dan dapat menimbulkan cedera.

⚠PERHATIAN: Berusaha menjangkau alat pemotong tanaman terlalu jauh terutama menggunakan tangga sangatlah berbahaya. Jangan bekerja di atas pijakan yang goyah atau tidak kuat.

PEMBERITAHUAN: Jangan mencoba memotong ranting dengan diameter yang lebih tebal dari 10 mm dengan alat ini. Potong cabang besar hingga 10 cm lebih rendah dibanding ketinggian pemotongan menggunakan pemotong cabang sebelum menggunakan alat ini.

► Gbr.45: (1) Ketinggian pemotongan (2) 10 cm

PEMBERITAHUAN: Jangan potong pohon yang sudah mati atau benda keras lainnya. Jika dilakukan dapat mengakibatkan kerusakan mesin.

PEMBERITAHUAN: Jangan memotong rumput atau semak saat menggunakan bilah pisau pemangkas. Bilah pisau dapat tersangkut di rumput atau semak.

Pegang alat dengan satu tangan, tarik pelatuk sakelar sambil menekan tombol buka kunci, kemudian gerakan ke arah depan dengan hati-hati.

► Gbr.46

Untuk cara pengoperasian dasar, miringkan bilah pisau sesuai arah pemotongan lalu gerakan dengan tenang dan perlahan dengan kecepatan rata-rata 3 sampai 4 detik per meter.

► Gbr.47

Mengikat tali dengan ketinggian yang diinginkan dan memotong mengikuti arah tali dapat membantu Anda memotong tanaman dengan rata.

► Gbr.48

Jika pengumpul serpihan terpasang pada bilah pisau, alat ini akan mengumpulkan daun yang terbang dan membuat pembersihan selanjutnya lebih mudah.

Untuk memotong bagian sisi tanaman dengan rata, potonglah dari bawah ke atas.

► Gbr.49

Ketika memotong untuk membuat bentuk bulat (memotong semak atau rhododendron, dll), potong dari bagian akar ke atas untuk hasil yang indah.

► Gbr.50

PERAWATAN

⚠PERHATIAN: Selalu pastikan bahwa mesin dimatikan dan kartrid baterai dilepas sebelum melakukan pemeriksaan atau perawatan.

Untuk menjaga KEAMANAN dan KEANDALAN mesin, perbaikan, perawatan atau penyetelan lainnya harus dilakukan oleh Pusat Layanan Resmi atau Pabrik Makita; selalu gunakan suku cadang pengganti buatan Makita.

Membersihkan mesin

Bersihkan mesin dari debu menggunakan kain kering atau dicelupkan di air sabun dan diperas.

PEMBERITAHUAN: Jangan sekali-kali menggunakan bensin, tiner, alkohol, atau bahan sejenisnya. Penggunaan bahan demikian dapat menyebabkan perubahan warna, perubahan bentuk atau timbulnya retakan.

Perawatan bilah pisau

Sebelum mengoperasikan atau satu jam sekali saat mengoperasikan, oleskan oli dengan viskositas rendah (oli mesin atau oli pelumas jenis semprot) pada pisau.

► Gbr.51

► Gbr.52

Setelah pengoperasian, bersihkan debu dari kedua sisi bilah pisau menggunakan sikat kawat, bersihkan dengan kain, lalu oleskan oli dengan viskositas rendah (oli mesin atau oli pelumas jenis semprot) pada pisau.

► Gbr.53

► Gbr.54

PEMBERITAHUAN: Jangan cuci bilah pisau dengan air. Mencuci bilah pisau dapat mengakibatkan karat atau kerusakan mesin.

PEMBERITAHUAN: Debu dan korosi menyebabkan gesekan pisau berlebih dan mengurangi waktu operasi tiap pengisian daya baterai.

Penyimpanan

Lubang kait di bagian bawah alat dapat digunakan untuk menggantung mesin di dinding menggunakan paku atau sekrup.

Pasang penutup bilah pisau pada bilah pisau agar bilah pisau tidak dalam keadaan tidak terlindung. Simpan mesin jauh dari jangkauan anak-anak. Simpan mesin di tempat yang terlindung dari kelembapan atau hujan.

► **Gbr.55:** 1. Lubang

► **Gbr.56:** 1. Lubang

AKSESORI PILIHAN

⚠ PERHATIAN: Dianjurkan untuk menggunakan aksesori atau perangkat tambahan ini dengan mesin Makita Anda yang ditentukan dalam petunjuk ini. Penggunaan aksesori atau perangkat tambahan lain bisa menyebabkan risiko cedera pada manusia. Hanya gunakan aksesori atau perangkat tambahan sesuai dengan peruntukannya.

Jika Anda memerlukan bantuan lebih rinci berkenaan dengan aksesori ini, tanyakan pada Pusat Layanan Makita terdekat.

- Rakitan bilah pisau pemangkas (untuk penggunaan pemangkas rumput)
- Penutup bilah pisau (untuk penggunaan pemangkas rumput)
- Pengumpul rumput (untuk penggunaan pemangkas rumput)
- Perangkat tambahan pegangan panjang (untuk penggunaan pemangkas rumput)
- Rakitan bilah pisau pemangkas (untuk penggunaan alat pemotong tanaman)
- Penutup bilah pisau (untuk penggunaan alat pemotong tanaman)
- Pengumpul serpihan (untuk penggunaan alat pemotong tanaman)
- Wadah penyimpanan
- Baterai dan pengisi daya asli Makita

CATATAN: Beberapa item dalam daftar tersebut mungkin sudah termasuk dalam paket mesin sebagai aksesori standar. Hal tersebut dapat berbeda dari satu negara ke negara lainnya.

THÔNG SỐ KỸ THUẬT

UM600D với lưỡi xén để cắt cỏ đã được lắp đặt

Kiểu máy:	UM600D
Chiều rộng lưỡi cắt	160 mm
Số nhát cắt trên một phút	2.500 min ⁻¹
Kích thước (Dài x Rộng x Cao)	347 mm x 177 mm x 131 mm
Điện áp định mức	10,8 V một chiều - tối đa 12 V
Khối lượng tịnh	1,3 - 1,5 kg

UH201D với lưỡi xén dùng cho máy tưa hàng rào đã được lắp đặt

Kiểu máy:	UH201D
Chiều dài lưỡi cắt	200 mm
Số nhát cắt trên một phút	2.500 min ⁻¹
Kích thước (Dài x Rộng x Cao)	504 mm x 120 mm x 131 mm
Điện áp định mức	10,8 V một chiều - tối đa 12 V
Khối lượng tịnh	1,3 - 1,5 kg

- Do chương trình nghiên cứu và phát triển liên tục của chúng tôi nên các thông số kỹ thuật trong đây có thể thay đổi mà không cần thông báo trước.
- Các thông số kỹ thuật và hộp pin có thể thay đổi tùy theo từng quốc gia.
- Khối lượng có thể khác nhau tùy thuộc vào (các) phụ kiện, bao gồm cả hộp pin. Tổ hợp nhẹ nhất và nặng nhất, theo Quy trình EPTA 01/2014, được trình bày trong bảng.

Hộp pin và sạc pin có thể áp dụng






Hộp pin	BL1016 / BL1021B / BL1041B
Bộ sạc	DC10SA / DC10SB / DC10WC / DC10WD / DC18RE

- Một số hộp pin và sạc pin được nêu trong danh sách ở trên có thể không khả dụng tùy thuộc vào khu vực cư trú của bạn.

⚠ CẢNH BÁO: Chỉ sử dụng hộp pin và sạc pin được nêu trong danh sách ở trên. Việc sử dụng bất cứ hộp pin và sạc pin nào khác có thể gây ra thương tích và/hoặc hỏa hoạn.

Ký hiệu

Phần dưới đây cho biết các ký hiệu có thể được dùng cho thiết bị. Đảm bảo rằng bạn hiểu rõ ý nghĩa của các ký hiệu này trước khi sử dụng.

	Hãy cẩn thận và đặc biệt chú ý.
	Đọc tài liệu hướng dẫn.
	Đeo thiết bị bảo vệ mắt.
	NGUY HIỂM - Giữ tay tránh xa lưỡi cắt.
	Nguy hiểm; chú ý các đối tượng bị ném.



Không để những người không phận sự lại gần.



Máy cắt vẫn tiếp tục chạy sau khi tắt động cơ.



Không được tiếp xúc với hơi ấm.



Chỉ dành cho các quốc gia EU
Do có các thành phần nguy hiểm bên trong thiết bị điện và điện tử, ắc quy và pin thải bỏ nên có thể có tác động không tốt đến môi trường và sức khỏe con người. Không vứt bỏ các thiết bị điện và điện tử hoặc pin với rác thải sinh hoạt!
Theo Chỉ thị của Châu Âu về thiết bị điện và điện tử thải bỏ và về pin và ắc quy và pin và ắc quy thải bỏ, cũng như sự thích ứng của chúng với luật pháp quốc gia, các thiết bị điện, pin và ắc quy thải phải được cất giữ riêng biệt và chuyển đến một điểm thu gom rác thải đô thị riêng, hoạt động theo các quy định về bảo vệ môi trường. Điều này được biểu thị bằng biểu tượng tương ứng rác có bánh xe gạch chéo được đặt trên thiết bị.



Mức công suất âm thanh được đảm bảo theo Chỉ thị về tiếng ồn ngoài trời của EU.



Mức công suất âm thanh theo Quy định kiểm soát tiếng ồn NSW của Úc

Mục đích sử dụng

UM600D với lưỡi xén để cắt cỏ đã được lắp đặt

Dụng cụ này được dùng để cắt cỏ bằng cỏ hoặc chổi cây.

UH201D với lưỡi xén dùng cho máy tia hàng rào đã được lắp đặt

Dụng cụ này được dùng để tia hàng rào.

CẢNH BÁO AN TOÀN

Cảnh báo an toàn chung dành cho dụng cụ máy

⚠ CẢNH BÁO: Xin đọc tất cả các cảnh báo an toàn, hướng dẫn, minh họa và thông số kỹ thuật đi kèm với dụng cụ máy này. Việc không tuân theo các hướng dẫn được liệt kê dưới đây có thể dẫn đến điện giật, hỏa hoạn và/hoặc thương tích nghiêm trọng.

Lưu giữ tất cả cảnh báo và hướng dẫn để tham khảo sau này.

Thuật ngữ “dụng cụ máy” trong các cảnh báo đề cập đến dụng cụ máy (có dây) được vận hành bằng nguồn điện chính hoặc dụng cụ máy (không dây) được vận hành bằng pin của bạn.

An toàn tại nơi làm việc

- Giữ nơi làm việc sạch sẽ và có đủ ánh sáng.** Nơi làm việc bừa bộn hoặc tối thường dễ gây ra tai nạn.
- Không vận hành dụng cụ máy trong môi trường cháy nổ, ví dụ như môi trường có sự hiện diện của các chất lỏng, khí hoặc bụi dễ cháy.** Các dụng cụ máy tạo tia lửa điện có thể làm bụi hoặc khí bốc cháy.

- Giữ trẻ em và người ngoài tránh xa nơi làm việc khi đang vận hành dụng cụ máy.** Sự xao lãng có thể khiến bạn mất khả năng kiểm soát.

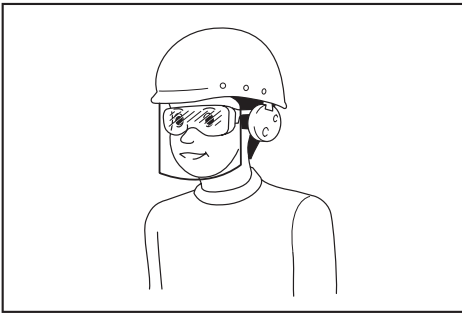
An toàn về Điện

- Phích cắm của dụng cụ máy phải khớp với ổ cắm. Không được sửa đổi phích cắm theo bất kỳ cách nào. Không sử dụng bất kỳ phích chuyên đổi nào với các dụng cụ máy được nối đất (tiếp đất).** Các phích cắm còn nguyên vẹn và ổ cắm phù hợp sẽ giảm nguy cơ điện giật.
- Tránh để cơ thể tiếp xúc với các bề mặt nóng hoặc tiếp đất như đường ống, bộ tản nhiệt, bếp ga và tủ lạnh.** Nguy cơ bị điện giật sẽ tăng lên nếu cơ thể bạn được nối đất hoặc tiếp đất.
- Không để dụng cụ máy tiếp xúc với mưa hoặc trong điều kiện ẩm ướt.** Nước lọt vào dụng cụ máy sẽ làm tăng nguy cơ điện giật.
- Không lạm dụng dây điện.** Không được phép sử dụng dây để mang, kéo hoặc tháo phích cắm dụng cụ máy. Giữ dây tránh xa nguồn nhiệt, dầu, các mép sắc hoặc các bộ phận chuyển động. Dây bị hỏng hoặc bị rối sẽ làm tăng nguy cơ điện giật.
- Khí vận hành dụng cụ máy ngoài trời, hãy sử dụng dây kéo dài phù hợp cho việc sử dụng ngoài trời.** Việc dùng dây phù hợp cho việc sử dụng ngoài trời sẽ giảm nguy cơ điện giật.
- Nếu bắt buộc phải vận hành dụng cụ máy ở nơi ẩm ướt, hãy sử dụng nguồn cấp điện được bảo vệ bằng thiết bị ngắt dòng điện rò (RCD).** Việc sử dụng RCD sẽ làm giảm nguy cơ điện giật.
- Các dụng cụ máy có thể tạo ra từ trường điện (EMF) có hại cho người dùng.** Tuy nhiên, người dùng máy trợ tim và những thiết bị y tế tương tự khác nên liên hệ với nhà sản xuất thiết bị và/hoặc bác sỹ để được tư vấn trước khi vận hành dụng cụ này.

An toàn Cá nhân

- Luôn tỉnh táo, quan sát những việc bạn đang làm và sử dụng những phán đoán theo kinh nghiệm khi vận hành dụng cụ máy.** Không sử dụng dụng cụ máy khi bạn đang mệt mỏi hoặc chịu ảnh hưởng của ma túy, rượu hay thuốc. Chỉ một khoảnh khắc không tập trung khi đang vận hành dụng cụ máy cũng có thể dẫn đến thương tích cá nhân nghiêm trọng.
- Sử dụng thiết bị bảo hộ cá nhân. Luôn đeo thiết bị bảo vệ mắt.** Các thiết bị bảo hộ như mặt nạ chống bụi, giày an toàn chống trượt, mũ bảo hộ hay thiết bị bảo vệ thính giác được sử dụng trong các điều kiện thích hợp sẽ giúp giảm thương tích cá nhân.
- Tránh vô tình khởi động dụng cụ máy. Đảm bảo công tắc ở vị trí off (tắt) trước khi nối nguồn điện và/hoặc bộ pin, cầm hoặc di chuyển dụng cụ máy.** Việc di chuyển dụng cụ máy khi đang đặt ngón tay ở vị trí công tắc hoặc cấp điện cho dụng cụ máy đang bật thường dễ gây ra tai nạn.
- Tháo tất cả các khóa hoặc có lê điều chỉnh trước khi bật dụng cụ máy.** Việc cờ lê hoặc khóa vẫn còn gắn vào bộ phận quay của dụng cụ máy có thể dẫn đến thương tích cá nhân.

5. **Không với quá cao. Luôn giữ thăng bằng tốt và có chỗ để chân phù hợp.** Điều này cho phép điều khiển dụng cụ máy tốt hơn trong những tình huống bất ngờ.
6. **Ăn mặc phù hợp. Không mặc quần áo rộng hay đeo đồ trang sức. Giữ tóc và quần áo tránh xa các bộ phận chuyển động.** Quần áo rộng, đồ trang sức hay tóc dài có thể mắc vào các bộ phận chuyển động.
7. **Nếu các thiết bị được cung cấp để kết nối các thiết bị thu gom và hút bụi, hãy đảm bảo chúng được kết nối và sử dụng hợp lý.** Việc sử dụng thiết bị thu gom bụi có thể làm giảm những mối nguy hiểm liên quan đến bụi.
8. **Không vì quen thuộc do thường xuyên sử dụng các dụng cụ mà cho phép bạn trở nên tự mãn và bỏ qua các nguyên tắc an toàn dụng cụ.** Một hành động bất cẩn có thể gây ra thương tích nghiêm trọng trong một phần của một giây.
9. **Luôn luôn mang kính bảo hộ để bảo vệ mắt khỏi bị thương khi đang sử dụng các dụng cụ máy. Kính bảo hộ phải tuân thủ ANSI Z87.1 ở Mỹ, EN 166 ở Châu Âu, hoặc AS/NZS 1336 ở Úc/New Zealand. Tại Úc/New Zealand, theo luật pháp, bạn cũng phải mang mặt nạ che mặt để bảo vệ mắt.**



Trách nhiệm của chủ lao động là bắt buộc người vận hành dụng cụ và những người khác trong khu vực làm việc cạnh đó phải sử dụng các thiết bị bảo hộ an toàn thích hợp.

Sử dụng và bảo quản dụng cụ máy

1. **Không dùng lực đối với dụng cụ máy. Sử dụng đúng dụng cụ máy cho công việc của bạn.** Sử dụng đúng dụng cụ máy sẽ giúp thực hiện công việc tốt hơn và an toàn hơn theo giá trị định mức được thiết kế của dụng cụ máy đó.
2. **Không sử dụng dụng cụ máy nếu công tắc không bật và tắt được dụng cụ máy đó.** Mọi dụng cụ máy không thể điều khiển được bằng công tắc đều rất nguy hiểm và phải được sửa chữa.
3. **Rút phích cắm ra khỏi nguồn điện và/hoặc tháo kết nối bộ pin khỏi dụng cụ máy, nếu có thể tháo rời trước khi thực hiện bất kỳ công việc điều chỉnh, thay đổi phụ tùng hay cất giữ dụng cụ máy nào.** Những biện pháp an toàn phòng ngừa này sẽ giảm nguy cơ vô tình khởi động dụng cụ máy.

4. **Cất giữ các dụng cụ máy không sử dụng ngoài tầm với của trẻ em và không cho bất kỳ người nào không có hiểu biết về dụng cụ máy hoặc các hướng dẫn này vận hành dụng cụ máy.** Dụng cụ máy sẽ rất nguy hiểm nếu được sử dụng bởi những người dùng chưa qua đào tạo.
5. **Bảo dưỡng dụng cụ máy và các phụ kiện.** Kiểm tra tình trạng lệch trục hoặc bó kẹt của các bộ phận chuyển động, hiện tượng nứt vỡ của các bộ phận và mọi tình trạng khác mà có thể ảnh hưởng đến hoạt động của dụng cụ máy. Nếu có hỏng hóc, hãy sửa chữa dụng cụ máy trước khi sử dụng. Nhiều tai nạn xảy ra là do không bảo quản tốt dụng cụ máy.
6. **Luôn giữ cho dụng cụ cắt được sắc bén và sạch sẽ.** Những dụng cụ cắt được bảo quản tốt có mép cắt sắc sẽ ít bị kẹt hơn và dễ điều khiển hơn.
7. **Sử dụng dụng cụ máy, phụ tùng và đầu dụng cụ cắt, v.v... theo các hướng dẫn này, có tính đến điều kiện làm việc và công việc được thực hiện.** Việc sử dụng dụng cụ máy cho các công việc khác với công việc dự định có thể gây nguy hiểm.
8. **Giữ tay cầm và bề mặt tay cầm khô, sạch, không dính dầu và mỡ.** Tay cầm trơn trượt và bề mặt tay cầm không cho phép xử lý an toàn và kiểm soát dụng cụ trong các tình huống bất ngờ.
9. **Khi sử dụng dụng cụ, không được đi giày tay lao động bằng vải, có thể bị vướng.** Việc giày tay lao động bằng vải vướng vào các bộ phận chuyển động có thể gây ra thương tích cá nhân.

Sử dụng và bảo quản dụng cụ dùng pin

1. **Chỉ sạc pin lại với bộ sạc do nhà sản xuất quy định.** Bộ sạc phù hợp với một loại bộ pin này có thể gây ra nguy cơ hỏa hoạn khi được dùng cho một bộ pin khác.
2. **Chỉ sử dụng các dụng cụ máy với các bộ pin được quy định cụ thể.** Việc sử dụng bất cứ bộ pin nào khác có thể gây ra thương tích và hỏa hoạn.
3. **Khi không sử dụng bộ pin, hãy giữ tránh xa các đồ vật khác bằng kim loại, chẳng hạn như kẹp giấy, tiền xu, chìa khóa, đinh, ốc vít hoặc các vật nhỏ bằng kim loại mà có thể làm nối tất các đầu cực pin.** Các đầu cực pin bị đoản mạch có thể gây cháy hoặc hỏa hoạn.
4. **Trong điều kiện sử dụng quá mức, pin có thể bị chảy nước; hãy tránh tiếp xúc. Nếu vô tình tiếp xúc với pin bị chảy nước, hãy rửa sạch bằng nước. Nếu dung dịch từ pin tiếp xúc với mắt, cần đi khám bác sĩ thêm.** Dung dịch chảy ra từ pin có thể gây rất da hoặc bỏng.
5. **Không sử dụng bộ pin hoặc dụng cụ bị hư hỏng hoặc đã bị sửa đổi.** Pin đã bị hư hỏng hoặc đã bị sửa đổi có thể hành động theo cách không thể đoán trước dẫn đến cháy, nổ hoặc nguy cơ chấn thương.
6. **Không để bộ pin hoặc dụng cụ tiếp xúc với lửa hoặc nhiệt độ quá cao.** Tiếp xúc với lửa hoặc nhiệt độ trên 130 °C có thể gây ra cháy nổ.

7. **Làm theo tất cả các hướng dẫn sạc pin và không được sạc bộ pin hoặc dụng cụ vượt giới hạn nhiệt độ quy định trong hướng dẫn.** Sạc pin không đúng hoặc ở nhiệt độ vượt giới hạn nhiệt độ có thể gây hư hỏng cho pin và làm tăng nguy cơ cháy.

Bảo dưỡng

1. **Đề nhân viên sửa chữa đủ trình độ bảo dưỡng dụng cụ máy của bạn và chỉ sử dụng các bộ phận thay thế đồng nhất.** Việc này sẽ đảm bảo duy trì được độ an toàn của dụng cụ máy.
2. **Không bao giờ sử dụng bộ pin đã hỏng.** Dịch vụ bảo hành bộ pin chỉ nên thực hiện bởi nhà sản xuất hoặc các nhà cung cấp dịch vụ được ủy quyền.
3. **Tuân theo hướng dẫn dành cho việc bôi trơn và thay phụ tùng.**

Cảnh Báo An Toàn Đối Với Máy Cắt Cỏ Không Dây

Hướng dẫn chung

1. **Để đảm bảo vận hành chính xác, người dùng cần phải đọc sách hướng dẫn này để làm quen với thao tác trên thiết bị.** Người dùng không nắm đầy đủ thông tin sẽ có nguy cơ gây nguy hiểm cho bản thân cũng như những người khác do sử dụng không đúng cách.
2. **Không bao giờ cho phép trẻ em, người sử dụng già yếu thể chất, giác quan hoặc khả năng trí tuệ hoặc thiếu kinh nghiệm và kiến thức hoặc những người không quen thuộc với các hướng dẫn này sử dụng máy, các quy định tại địa phương sử dụng có thể sẽ hạn chế độ tuổi của người vận hành máy.**
3. **Cần hết sức chú ý và cẩn thận khi sử dụng dụng cụ này.**
4. **Chỉ vận hành thiết bị khi bạn đang ở trong điều kiện thể chất tốt.** Thực hiện tất cả công việc một cách bình tĩnh và cẩn thận. Hãy sử dụng giác quan thông thường và ghi nhớ rằng người vận hành hoặc người sử dụng phải chịu trách nhiệm về tai nạn hoặc nguy hiểm xảy ra cho người khác hoặc tài sản của họ.
5. **Không bao giờ vận hành máy khi có người, đặc biệt là trẻ em hoặc thú cưng ở gần.**
6. **Động cơ phải được tắt ngay lập tức trong trường hợp thiết bị biểu hiện bất kỳ vấn đề hoặc dấu hiệu bất thường nào.**
7. **Tắt và tháo hộp pin khi nghỉ ngơi và khi để thiết bị mà không giám sát, và đặt nó ở một vị trí an toàn để ngăn ngừa gây nguy hiểm cho người khác hoặc gây hư hỏng thiết bị.**
8. **Tránh sử dụng dụng cụ trong điều kiện thời tiết xấu, đặc biệt là có nguy cơ sấm sét.**

Thiết bị bảo hộ cá nhân

1. **Đeo dụng cụ bảo vệ mắt và mang giày bền chắc tại mọi thời điểm trong khi vận hành máy.**
2. **Luôn mang giày chắc chắn và quần dài trong khi vận hành máy.**

Khởi động thiết bị

1. **Hãy đảm bảo rằng không có trẻ em hoặc người khác ở gần, đồng thời phải chú ý đến bất kỳ động vật nào trong khu vực lân cận nơi làm việc.** Nếu không hãy ngừng sử dụng thiết bị.
2. **Trước khi sử dụng, luôn kiểm tra xem thiết bị có an toàn để vận hành không.** Kiểm tra an toàn của toàn bộ cấu trúc và tấm bảo vệ, cần/cò khởi động công tắc có hoạt động đúng cách và trơn tru không. Kiểm tra tay cầm sạch và khô và thử chức năng khởi động/dừng.
3. **Kiểm tra các bộ phận bị hư hỏng trước khi sử dụng tiếp dụng cụ.** Cần phải kiểm tra kỹ lưỡng bộ phận bảo vệ hoặc bộ phận khác bị hư hỏng để xác định rằng máy sẽ vận hành bình thường và thực hiện đúng chức năng như được thiết kế. Kiểm tra cân chỉnh các bộ phận chuyên động, bó kẹp của các bộ phận chuyên động, chỗ nứt vỡ các bộ phận, chỗ gắn và bắt cứ tình trạng nào khác có thể ảnh hưởng đến việc vận hành. Bộ phận bảo vệ hoặc bộ phận nào khác bị hư hỏng cần phải được sửa chữa đúng cách hoặc thay thế bởi trung tâm bảo trì được ủy quyền của chúng tôi trừ khi được chỉ dẫn ở nơi khác trong tài liệu này.
4. **Chỉ bật động cơ khi tay và chân cách xa dụng cụ cắt.**
5. **Trước khi khởi động hãy đảm bảo rằng dụng cụ cắt đang không tiếp xúc với bất kỳ vật nào.**

Cách vận hành

1. **Chỉ sử dụng thiết bị trong điều kiện ánh sáng tốt và có thể nhìn rõ.** Vào mùa đông, hãy cẩn thận với các khu vực trơn hoặc ướt, nước đá và tuyết (có nguy cơ trượt). Luôn đảm bảo chỗ để chân nằm trên mặt nghiêng và đảm bảo đi bộ, không được chạy.
2. **Hãy cẩn thận để không làm tổn thương chân và tay do dụng cụ cắt.**
3. **Không bao giờ đứng trên thang và vận hành thiết bị.**
4. **Không bao giờ leo lên cây để thực hiện thao tác cắt với thiết bị.**
5. **Không bao giờ làm việc trên bề mặt không chắc chắn.**
6. **Loại bỏ cát, đá, đinh, v.v... được tìm thấy trong phạm vi làm việc.** Các hạt, vật nhỏ lạ có thể làm hư hỏng dụng cụ cắt và có thể gây nguy hiểm phản lực ngược.
7. **Nếu dụng cụ cắt va phải đá hoặc các vật cứng khác, hãy tắt động cơ ngay lập tức và kiểm tra dụng cụ cắt.**
8. **Kiểm tra hư hỏng dụng cụ cắt trong các khoảng thời gian ngắn đều đặn (phát hiện các vết nứt mỏng bằng phương pháp kiểm tra tiếng ồn).**
9. **Trước khi bắt đầu cắt, dụng cụ cắt phải cần phải đạt được tốc độ làm việc hoàn toàn.**
10. **Dụng cụ cắt cần được trang bị tấm bảo vệ thích hợp.** Không bao giờ vận hành thiết bị với tấm bảo vệ bị hỏng hoặc không có tấm bảo vệ ở đúng vị trí!

11. Tất cả các bộ phận lắp đặt bảo vệ và các tấm bảo vệ được cung cấp kèm theo dụng cụ này đều phải được sử dụng trong quá trình vận hành.
12. Luôn tháo hộp pin ra khỏi thiết bị:
 - bất cứ khi nào rời khỏi thiết bị mà không giám sát;
 - trước khi làm thông chỗ tắc nghẽn;
 - trước khi kiểm tra, làm sạch hoặc làm việc trên thiết bị;
 - sau khi gỡ bỏ ngoại vật;
 - bất cứ khi nào thiết bị bắt đầu rung chấn bất thường.
13. Luôn đảm bảo rằng các lỗ mở thông gió không có mảnh vụn.
14. Máy cắt vẫn tiếp tục chạy sau khi tắt động cơ.
15. Nếu các lưỡi dao ngừng di chuyển do các vật lạ ở tắc nghẽn giữa các lưỡi dao trong quá trình vận hành, hãy tắt dụng cụ và tháo hộp pin, rồi tháo các vật lạ bằng các dụng cụ như kim. Dùng tay gỡ các vật lạ có thể gây ra thương tích, vì lý do mà các lưỡi dao có thể di chuyển khi gỡ các vật lạ.

Dụng Cụ Cắt

Chỉ sử dụng dụng cụ cắt đúng cho công việc đang đảm nhận.

Hướng dẫn bảo dưỡng

1. Tình trạng của thiết bị, đặc biệt dụng cụ cắt của các thiết bị bảo vệ phải được kiểm tra trước khi bắt đầu công việc.
2. Tắt động cơ và tháo hộp pin trước khi thực hiện bảo trì, thay thế dụng cụ cắt hoặc làm sạch thiết bị hoặc dụng cụ cắt.
3. Khi không sử dụng, đặt thiết bị trong nhà ở nơi khô ráo và cao hoặc nơi đã khóa lại - ngoài tầm tay trẻ em. Làm sạch và bảo dưỡng trước khi cất giữ.

LƯU GIỮ CÁC HƯỚNG DẪN NÀY.

⚠CẢNH BÁO: KHÔNG vì đã thoải mái hay quen thuộc với sản phẩm (có được do sử dụng nhiều lần) mà không tuân thủ nghiêm ngặt các quy định về an toàn dành cho sản phẩm này. VIỆC DÙNG SAI hoặc không tuân theo các quy định về an toàn được nêu trong tài liệu hướng dẫn này có thể dẫn đến thương tích cá nhân nghiêm trọng.

Cảnh Báo An Toàn Đối Với Máy Tia Hàng Rào Chạy Pin

1. Giữ tất cả các bộ phận cơ thể tránh xa lưỡi cắt. Không gỡ vật liệu bị cắt hoặc giữ vật liệu được cắt khi các lưỡi cắt đang chuyển động. Lưỡi cắt sẽ tiếp tục chuyển động sau khi tắt công tắc. Chỉ một khoảnh khắc không tập trung khi đang vận hành máy tia hàng rào cũng có thể dẫn đến thương tích cá nhân nghiêm trọng.
2. Cầm máy tia hàng rào bằng tay cầm với lưỡi cắt đã dừng và chú ý không vận hành bất kỳ công tác nguồn nào. Cầm máy tia hàng rào đúng cách sẽ làm giảm nguy cơ vô ý khởi động và thương tích cá nhân phát sinh từ lưỡi cắt.
3. Khi vận chuyển hay cất giữ máy tia hàng rào, luôn lắp nắp đệm lưỡi cắt. Xử lý máy tia hàng rào đúng cách sẽ làm giảm nguy cơ thương tích cá nhân từ lưỡi cắt.
4. Khi loại bỏ vật liệu bị kẹt hoặc bảo dưỡng thiết bị, đảm bảo tất cả công tác nguồn đều tắt và tháo hoặc ngắt kết nối bộ pin. Vận hành máy tia hàng rào bất ngờ trong khi loại bỏ vật liệu bị kẹt hoặc bảo dưỡng có thể dẫn đến thương tích cá nhân nghiêm trọng.
5. Giữ máy tia hàng rào chỉ bằng các bề mặt kẹp cách điện, vì lưỡi cắt có thể tiếp xúc với dây dẫn kín. Lưỡi cắt tiếp xúc với dây dẫn “có điện” có thể khiến các bộ phận kim loại bị hở của máy tia hàng rào “có điện” và khiến người vận hành bị điện giật.
6. Giữ tất cả dây nguồn và cáp cách xa khỏi khu vực cắt. Dây nguồn hoặc cáp có thể bị khuất trong hàng rào hoặc bụi cây và vô tình bị lưỡi dao cắt tung.
7. Không sử dụng máy tia hàng rào trong điều kiện thời tiết xấu, đặc biệt là khi có nguy cơ sấm sét. Việc này sẽ làm giảm được nguy cơ bị sét đánh.
8. **NGUY HIỂM:** Giữ tay tránh xa lưỡi cắt. Tiếp xúc với lưỡi cắt có thể dẫn tới thương tích cá nhân nghiêm trọng.
9. Dùng máy tia hàng rào ở tầm cao quá mức, đặc biệt nếu sử dụng thang, là rất nguy hiểm. Không làm việc trong khi đứng trên bất cứ thứ gì lung lay hoặc không chắc chắn.
10. Không sử dụng máy tia hàng rào trong mưa hoặc trong điều kiện ẩm ướt. Mô tơ điện không chống nước.
11. Người mới sử dụng lần đầu nên có người biết sử dụng máy tia hàng rào hướng dẫn cách sử dụng.
12. Trẻ em hoặc thanh thiếu niên dưới 18 tuổi không được sử dụng máy tia hàng rào này. Thanh thiếu niên trên 16 tuổi có thể được miễn hạn chế này nếu được đào tạo dưới sự giám sát của chuyên gia.
13. Sử dụng máy tia hàng rào chỉ khi bạn đang ở trong điều kiện thể chất tốt. Nếu bạn đang mệt mỏi, khả năng chú ý của bạn sẽ bị giảm đi. Đặc biệt cẩn thận khi kết thúc một ngày làm việc. Thực hiện tất cả công việc một cách bình tĩnh và cẩn thận. Người sử dụng phải chịu trách nhiệm về mọi thiệt hại cho bên thứ ba.
14. Không bao giờ sử dụng máy tia khi chịu ảnh hưởng của rượu, ma túy hay thuốc.
15. Găng tay làm việc bằng da dày là một phần của thiết bị cơ bản của máy tia hàng rào và phải luôn mang theo khi làm việc với máy. Cũng nên mang giày ủng cứng có đế chống trượt.
16. Trước khi bắt đầu công việc, kiểm tra xem máy tia có trong tình trạng làm việc tốt và an toàn không. Đảm bảo các phần bảo vệ được lắp đúng cách. Không được sử dụng máy tia hàng rào trừ khi nó đã được lắp ráp hoàn chỉnh.
17. Đảm bảo rằng bạn luôn có chỗ để chân cố định trước khi bắt đầu vận hành.
18. Cầm chắc dụng cụ khi sử dụng.
19. Không vận hành dụng cụ không tải một cách không cần thiết.

20. **Tắt động cơ ngay lập tức và tháo hộp pin nếu máy cắt đứt phải hàng rào hoặc vật cứng khác.** Kiểm tra hư hỏng của máy cắt và nếu bị hỏng, hãy sửa chữa ngay lập tức.
21. Trước khi kiểm tra máy cắt, xem xét các lỗi, hoặc loại bỏ vật liệu bị kẹt trong máy cắt, luôn tắt máy tia và tháo hộp pin.
22. Tắt máy tia và tháo hộp pin trước khi làm bất cứ công việc bảo dưỡng nào.
23. Khi di chuyển máy tia hàng rào đến một vị trí khác, kê cả đang vận hành, phải luôn tháo hộp pin và gắn nắp đậy lên các lưỡi cắt. Không được mang hoặc vận chuyển máy tia khi máy cắt đang chạy. Không được nắm máy cắt bằng tay.
24. Làm sạch máy tia hàng rào và đặc biệt là máy cắt sau khi sử dụng, và trước khi đưa máy tia vào kho lưu giữ trong một khoảng thời gian dài. Tra một ít dầu lên máy cắt và đậy nắp lại. Vỏ bảo vệ cung cấp kèm theo thiết bị có thể được treo trên tường, giúp giữ an toàn và là cách thiết thực để cất giữ máy tia hàng rào.
25. Cất giữ máy tia hàng rào khi đã gắn nắp chắn và đặt ở nơi khô ráo. Tránh xa tầm với của trẻ em. Không để máy tia ngoài trời.
26. Không bao giờ hướng lưỡi kéo vào người chính bạn hoặc người khác.
27. Nếu các lưỡi dao ngừng di chuyển do các vật lạ ở tắc nghẽn giữa các lưỡi dao trong quá trình vận hành, hãy tắt dụng cụ và tháo hộp pin, rồi tháo các vật lạ bằng các dụng cụ như kim. Dùng tay gỡ các vật lạ có thể gây ra thương tích, vì lý do mà các lưỡi dao có thể di chuyển khi gỡ các vật lạ.
28. Tránh môi trường nguy hiểm. Không được sử dụng dụng cụ tại những nơi ẩm thấp hoặc ẩm ướt, hoặc để chúng tiếp xúc với mưa. Nước lọt vào dụng cụ sẽ làm tăng nguy cơ điện giật.
29. Không bỏ pin (các pin) vào lửa. Các viên pin có thể phát nổ. Kiểm tra mã vùng để được hướng dẫn xử lý đặc biệt khi có thể.
30. Không mờ hoặc làm hư hỏng pin (các pin). Chất điện phân thoát ra sẽ ăn mòn và có thể gây thiệt hại cho da hoặc mắt. Nó có thể độc hại nếu nuốt phải.
31. Không sạc pin trong mưa, hoặc nơi ẩm ướt.
32. Kiểm tra các vật lạ trên hàng rào và chốt, chẳng hạn như các hàng rào kim loại hoặc dây dẫn kín trước khi vận hành dụng cụ.

LƯU GIỮ CÁC HƯỚNG DẪN NÀY.

⚠CẢNH BÁO: KHÔNG vì đã thoải mái hay quen thuộc với sản phẩm (có được do sử dụng nhiều lần) mà không tuân thủ nghiêm ngặt các quy định về an toàn dành cho sản phẩm này. **VIỆC DÙNG SAI** hoặc không tuân theo các quy định về an toàn được nêu trong tài liệu hướng dẫn này có thể dẫn đến thương tích cá nhân nghiêm trọng.

Hướng dẫn quan trọng về an toàn dành cho hộp pin

1. Trước khi sử dụng hộp pin, hãy đọc kỹ tất cả các hướng dẫn và dấu hiệu cảnh báo trên (1) bộ sạc pin, (2) pin và (3) sản phẩm sử dụng pin.
2. Không tháo rời hoặc làm thay đổi hộp pin. Việc này có thể dẫn đến hỏa hoạn, quá nhiệt hoặc nổ.
3. Nếu thời gian vận hành ngắn hơn quá mức, hãy ngừng vận hành ngay lập tức. Điều này có thể dẫn đến rùi rò quá nhiệt, có thể gây bỏng và thậm chí là nổ.
4. Nếu chất điện phân rơi vào mắt, hãy rửa sạch bằng nước sạch và đến cơ sở y tế ngay lập tức. Chất này có thể khiến bạn giảm thị lực.
5. Không để hộp pin ở tình trạng đoản mạch:
 - (1) Không chạm vào cực pin bằng vật liệu dẫn điện.
 - (2) Tránh cất giữ hộp pin trong hộp có các vật kim loại khác như đinh, tiền xu, v.v...
 - (3) Không được để hộp pin tiếp xúc với nước hoặc mưa.
 Đoản mạch pin có thể gây ra dòng điện lớn, quá nhiệt, có thể gây bỏng và thậm chí là hỏng hóc.
6. Không cất giữ cũng như sử dụng dụng cụ và hộp pin ở nơi nhiệt độ có thể lên tới hoặc vượt quá 50 °C (122 °F).
7. Không đốt hộp pin ngay cả khi hộp pin đã bị hư hại nặng hoặc hư hỏng hoàn toàn. Hộp pin có thể nổ khi tiếp xúc với lửa.
8. Không đóng đinh, cắt, nghiền nát, ném, làm rơi hộp pin hoặc va vật cứng vào hộp pin. Làm như thế có thể dẫn đến hỏa hoạn, quá nhiệt hoặc nổ.
9. Không sử dụng pin đã hỏng.
10. Pin nén lithium-ion là đối tượng có yêu cầu bắt buộc theo Luật Hàng hoá Nguy hiểm. Đối với vận tải thương mại, ví dụ như vận tải do bên thứ ba, đại lý giao nhận, thì yêu cầu đặc biệt về đóng gói và nhãn ghi phải được giám sát. Để chuẩn bị cho mặt hàng cần vận chuyển, cần phải tham khảo ý kiến chuyên gia về vật liệu nguy hiểm. Nếu được, vui lòng tuân thủ các quy định quốc gia chi tiết hơn. Buộc hoặc niêm phong các tiếp điểm mở và đóng gói pin theo cách đó để nó không thể di chuyển trong bao bì.
11. Khi vứt bỏ hộp pin, hãy tháo chúng khỏi dụng cụ và thái bỏ ở nơi an toàn. Phải tuân thủ theo các quy định của địa phương liên quan đến việc thái bỏ pin.
12. Chỉ sử dụng pin cho các sản phẩm Makita chi định. Lắp pin vào sản phẩm không thích hợp có thể gây ra hỏa hoạn, quá nhiệt, nổ, hoặc rò chất điện phân.
13. Nếu dụng cụ không được sử dụng trong một thời gian dài, cần phải tháo pin ra khỏi dụng cụ.
14. Trong và sau khi sử dụng, hộp pin có thể bị nóng, có thể gây bỏng hoặc bỏng ở nhiệt độ thấp. Chú ý xử lý hộp pin nóng.

- Không chạm vào điện cực của dụng cụ ngay sau khi sử dụng vì điện cực đủ nóng để gây bỏng.
- Không để vụn bào, bụi hoặc đất bám vào các điện cực, lỗ và rãnh của hộp pin. Việc này có thể dẫn đến hiệu suất kém hoặc hỏng hóc dụng cụ hay hộp pin.
- Trừ khi dụng cụ hỗ trợ sử dụng gần đường dây điện cao thế, không sử dụng hộp pin gần đường dây điện cao thế. Việc này có thể dẫn đến trượt hoặc hỏng hóc dụng cụ hay hộp pin.
- Giữ pin tránh xa trẻ em.

LƯU GIỮ CÁC HƯỚNG DẪN NÀY.

⚠ THẬN TRỌNG: Chỉ sử dụng pin Makita chính hãng. Việc sử dụng pin không chính hãng Makita, hoặc pin đã được sửa đổi, có thể dẫn đến nổ pin gây ra cháy, thương tích và thiệt hại cá nhân. Nó cũng sẽ làm mất hiệu lực bảo hành của Makita dành cho dụng cụ của Makita và bộ sạc.

Mẹo duy trì tuổi thọ tối đa cho pin

- Sạc hộp pin trước khi pin bị xả điện hoàn toàn. Luôn dừng việc vận hành dụng cụ và sạc pin khi bạn nhận thấy công suất dụng cụ bị giảm.
- Không được phép sạc lại một hộp pin đã được sạc đầy. Sạc quá mức sẽ làm giảm tuổi thọ của pin.
- Sạc pin ở nhiệt độ phòng 10°C - 40°C. Để cho hộp pin nóng nguội lại dần trước khi sạc pin.
- Khi không sử dụng hộp pin, hãy tháo hộp pin ra khỏi dụng cụ hoặc bộ sạc.

MÔ TẢ CHỨC NĂNG

⚠ THẬN TRỌNG: Luôn đảm bảo rằng đã tắt dụng cụ và tháo hộp pin ra trước khi thực hiện việc điều chỉnh hoặc kiểm tra chức năng trên dụng cụ.

Sử dụng dụng cụ học máy tia hàng rào chạy pin/máy cắt cỏ không dây

Đối với UM600D

Dụng cụ này có thể được sử dụng như máy tia hàng rào chạy pin bằng cách lắp đặt lưới xen dùng cho máy tia hàng rào (phụ kiện tùy chọn).

Đối với UH201D

Dụng cụ này có thể được sử dụng như máy cắt cỏ không dây bằng cách lắp đặt lưới xen dành cho máy cắt cỏ (phụ kiện tùy chọn).

Lắp hoặc tháo hộp pin

⚠ THẬN TRỌNG: Luôn tắt dụng cụ trước khi lắp hoặc tháo hộp pin.

⚠ THẬN TRỌNG: Giữ dụng cụ và hộp pin thật chắc khi lắp hoặc tháo hộp pin. Không giữ dụng cụ và hộp pin thật chắc có thể làm trượt chúng khỏi tay và làm hư hỏng dụng cụ và hộp pin hoặc gây thương tích cá nhân.

► **Hình1:** 1. Chỉ báo màu đỏ 2. Nút 3. Hộp pin

Để tháo hộp pin, vừa trượt pin ra khỏi dụng cụ vừa đẩy trượt nút ở phía trước hộp pin.

Để lắp hộp pin, đặt thẳng hàng phần chốt nhô ra của hộp pin vào phần rãnh nằm trên vỏ và trượt hộp pin vào vị trí. Đưa hộp pin vào hết mức cho đến khi chốt khóa vào đúng vị trí với một tiếng cách nhẹ. Nếu bạn có thể nhìn thấy chỉ báo màu đỏ như thể hiện trong hình, điều đó có nghĩa vẫn chưa được khóa hoàn toàn.

⚠ THẬN TRỌNG: Luôn lắp hộp pin khớp hoàn toàn vào vị trí cho đến khi không thể nhìn thấy chỉ báo màu đỏ. Nếu không, hộp pin có thể vô tình rơi ra khỏi dụng cụ, gây thương tích cho bạn hoặc người khác xung quanh.

⚠ THẬN TRỌNG: Không được dùng sức lắp hộp pin. Nếu hộp pin không nhẹ nhàng trượt vào vị trí, có nghĩa là pin vẫn chưa được lắp đúng.

Chỉ báo dung lượng pin còn lại

Chỉ dành cho hộp pin có đèn chỉ báo

► **Hình2:** 1. Các đèn chỉ báo 2. Nút Check (kiểm tra)

Ấn nút check (kiểm tra) trên hộp pin để chỉ báo dung lượng pin còn lại. Các đèn chỉ báo bật sáng lên trong vài giây.

Các đèn chỉ báo		Dung lượng còn lại
Bật sáng	Tắt	
		75% đến 100%
		50% đến 75%
		25% đến 50%
		0% đến 25%

LƯU Ý: Tùy thuộc vào các điều kiện sử dụng và nhiệt độ xung quanh, việc chỉ báo có thể khác biệt một chút so với dung lượng thực sự.

Hệ thống bảo vệ dụng cụ / pin

Dụng cụ này được trang bị hệ thống bảo vệ dụng cụ / pin. Hệ thống này sẽ tự động ngắt nguồn điện đến động cơ để kéo dài tuổi thọ dụng cụ và pin. Dụng cụ sẽ tự động dừng vận hành khi dụng cụ hoặc pin ở một trong những trường hợp sau đây:

Bảo vệ quá tải

Khi pin bị sử dụng trong điều kiện làm máy tiêu tốn dòng cao bất thường, dụng cụ sẽ tự động dừng lại. Trong trường hợp này, hãy tắt dụng cụ và ngừng ứng dụng làm cho tuổi thọ dụng cụ và pin. Dụng cụ sẽ tự động dừng vận hành khi dụng cụ hoặc pin ở một trong những trường hợp sau đây:

Bảo vệ quá nhiệt

Khi bị quá nhiệt, dụng cụ hoặc pin sẽ tự động dừng và đèn sẽ nhấp nháy. Trong trường hợp này, hãy để dụng cụ và pin nguội trước khi bật dụng cụ lại.

Bảo vệ xả điện quá mức

Khi dung lượng pin không đủ, thì dụng cụ sẽ tự động dừng. Nếu bạn bật dụng cụ, động cơ tiếp tục chạy lại nhưng sẽ sớm ngừng. Trong trường hợp này, hãy tháo pin khỏi dụng cụ và sạc pin lại.

Hoạt động công tắc

⚠ CẢNH BÁO: Trước khi lắp hộp pin vào dụng cụ, luôn luôn kiểm tra xem cần khởi động công tắc có hoạt động bình thường hay không và trả về vị trí “OFF” (TẮT) khi nhà ra.

⚠ CẢNH BÁO: Để bạn được an toàn, dụng cụ này đều được trang bị nút nhà khóa nhằm ngăn ngừa vô ý khởi động dụng cụ. Không sử dụng dụng cụ này nếu nó khởi động khi bạn chỉ kéo có khởi động công tắc mà không nhấn nút nhà khóa. Nhờ Trung Tâm Bảo Trì Makita ở địa phương bạn ở sửa chữa.

⚠ CẢNH BÁO: Không bao giờ tắt chức năng khóa hoặc giữ nhấn chặt nút nhà khóa.

CHÚ Ý: Không được kéo cưỡng chế có khởi động công tắc mà không nhấn nút nhà khóa. Công tắc có thể bị vỡ.

► **Hình3:** 1. Cần khởi động công tắc 2. Nút nhà khóa

Để ngăn ngừa vô tình kéo cần khởi động công tắc, dụng cụ được trang bị một nút nhà khóa. Để khởi động dụng cụ, nhà nút nhà khóa và kéo cần khởi động công tắc. Nhà cần khởi động công tắc ra để dừng. Có thể ấn nút mở khóa từ bên phải hoặc bên trái.

Đèn chỉ báo

Đèn chỉ báo nhấp nháy hoặc sáng lên khi dung lượng pin còn lại thấp hoặc cạn. Đèn chỉ báo cũng sáng lên khi công cụ trở nên quá tải.

► **Hình4:** 1. Đèn chỉ báo

Trạng thái đèn và các bước cần thực hiện

Đèn chỉ báo	Tình trạng	Các bước cần thực hiện
Đèn nhấp nháy màu đỏ.	Dung lượng pin còn lại thấp.	Sạc pin.
Đèn sáng lên màu đỏ. *	Công cụ đã dừng vì dung lượng pin còn lại đã cạn.	Sạc pin.
	Công cụ đã dừng do quá tải.	Tắt dụng cụ.

* Thời gian mà tại đó các đèn chỉ báo sáng lên thay đổi tùy theo nhiệt độ xung quanh khu vực làm việc và tình trạng hộp pin.

Điều chỉnh chiều cao cắt (để cắt cỏ)

⚠ THẬN TRỌNG: Khi thay đổi chiều cao cắt, hãy đảm bảo đã lắp nắp đẩy lưỡi dao và cẩn thận không để ngón tay mắc vào giữa dụng cụ và bộ phận cắt.

Chiều cao cắt có thể được cài đặt ở ba mức (15 mm, 20 mm và 25 mm) bằng cách thay đổi vị trí cố định của bộ phận cắt. Chiều cao cắt mà không có bộ phận cắt là 10 mm.

1. Trượt bộ phận cắt hướng về phía trước dụng cụ.

► **Hình5:** 1. Bộ phận cắt

2. Thay đổi vị trí cố định của bộ phận cắt bằng cách di chuyển nó theo hướng mũi tên.

► **Hình6**

LƯU Ý: Giá trị chiều cao cắt chỉ là hướng dẫn. Chiều cao cắt thực tế có thể khác nhau tùy thuộc vào tình trạng của bãi cỏ hoặc mặt đất.

LƯU Ý: Thử kiểm tra việc cắt cỏ ở nơi ít bị chú ý để có được chiều cao mong muốn.

LẮP RÁP

⚠ THẬN TRỌNG: Luôn đảm bảo rằng đã tắt dụng cụ và tháo hộp pin ra trước khi thực hiện bất cứ thao tác nào trên dụng cụ.

⚠ THẬN TRỌNG: Khi thay thế lưỡi dao, luôn đeo găng tay và lắp nắp đẩy lưỡi dao để tay và mặt không tiếp xúc trực tiếp với lưỡi dao.

CHÚ Ý: Khi thay thế các lưỡi dao, không lau sạch dầu mỡ khỏi bánh răng và tay quay.

Lắp đặt hoặc tháo gỡ nắp đẩy lưỡi dao

⚠ THẬN TRỌNG: Hãy cẩn thận không để chạm vào lưỡi dao khi lắp đặt hoặc tháo gỡ nắp đẩy lưỡi dao.

Đề tháo nắp đẩy lưỡi dao, kéo nhẹ và sau đó trượt nó sang một bên. Đề lắp đặt nắp đẩy lưỡi dao, thực hiện các bước theo trình tự ngược lại.

► **Hình7**

Lắp đặt hoặc tháo gỡ bộ đựng cù

⚠ THẬN TRỌNG: Khi lắp đặt hoặc tháo gỡ bộ đựng cù, hãy đảm bảo đã lắp nắp đẩy lưỡi dao và cẩn thận không để ngón tay mắc vào giữa dụng cụ và bộ đựng cù.

Tháo bộ đựng cù

1. Thả chốt nhỏ ra trên bộ đựng cù từ rãnh trên dụng cụ trong khi trượt bộ đựng cù có hướng về phía trước dụng cụ.

► **Hình8:** 1. Bộ đựng cù

2. Nhả bản lề của bộ đựng cù ra khỏi dụng cụ.

Lắp bộ đựng cù

1. Móc bản lề của bộ đựng cù vào rãnh của dụng cụ.

► **Hình9:** 1. Bản lề 2. Bộ đựng cù

2. Căn chốt nhỏ ra trên bộ đựng cù thẳng với rãnh trên dụng cụ bằng cách trượt bộ đựng cù hướng về phía trước dụng cụ và di chuyển nó vào theo chiều mũi tên.

► **Hình10**

CHÚ Ý: Không cố gắng bản lề của bộ đựng cù vào dụng cụ sau khi căn cho các chốt nhỏ ra trên bộ đựng cù thẳng với các rãnh trên dụng cụ.

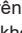
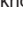
Lắp đặt hoặc tháo gỡ lưỡi dao để cắt cỏ.

CHÚ Ý: Nếu các bộ phận khác ngoài lưỡi dao như tay quay bị mòn, hãy nhờ Trung tâm dịch vụ Makita được ủy quyền để thay thế phụ tùng thay thế hoặc sửa chữa.

Tháo các lưỡi dao

1. Tháo bộ đựng cù và đặt dụng cụ úp ngược xuống.

► **Hình11**

2. Trong khi bấm cần khóa, xoay nắp đẩy phía dưới ngược chiều kim đồng hồ cho đến khi  trên nắp đẩy phía dưới cân thẳng hàng với  trên cần khóa.

► **Hình12**

3. Tháo nắp đẩy phía dưới, lưỡi dao và tay quay.

► **Hình13:** 1. Nắp đẩy phía dưới 2. Các lưỡi dao 3. Tay quay

Lắp các lưỡi dao

1. Chuẩn bị tay quay, nắp đẩy phía dưới và lưỡi dao mới.

► **Hình14:** 1. Tay quay 2. Nắp đẩy phía dưới 3. Các lưỡi dao

2. Tháo nắp đẩy lưỡi dao ra khỏi lưỡi dao cũ, và sau đó gắn nó vào cái mới.

► **Hình15**

3. Điều chỉnh ba chốt sao cho các chốt xếp thẳng hàng trên một trục cân chỉnh.

► **Hình16:** 1. Trục cân chỉnh

4. Bôi một lượng nhỏ mỡ bôi trơn lên phần biên của tay quay. Gắn tay quay vào các chốt sao cho các vòng tròn nhỏ và lộn hướng lên.

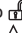

► **Hình17:** 1. Tay quay

5. Điều chỉnh lưỡi dao và bệ máy sao cho lỗ trên bệ máy và hai chốt nhỏ ra trên lưỡi dao được cân thẳng hàng.

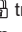

► **Hình18**

6. Xoay lưỡi dao ngược lại và lắp sao cho các chốt trên dụng cụ khớp với lỗ trên bệ máy. Hãy đảm bảo rằng lưỡi dao được cố định chắc chắn tại chỗ.

► **Hình19**

7. Đặt nắp đẩy phía dưới sao cho  trên nắp đẩy phía dưới được cân thẳng hàng với  trên cần khóa.

► **Hình20**

8. Trong khi nhấn nắp đẩy phía dưới, xoay nắp đẩy phía dưới ngược chiều kim đồng hồ cho đến khi  trên nắp đẩy phía dưới cân thẳng hàng với  trên cần khóa.

► **Hình21**

9. Hãy đảm bảo rằng cần khóa khớp với rãnh trên nắp đẩy phía dưới.

► **Hình22:** 1. Cần khóa

⚠ THẬN TRỌNG: Không bao giờ sử dụng dụng cụ mà không lắp nắp đẩy phía dưới.

10. Tháo nắp đẩy lưỡi dao rồi sau đó bật dụng cụ để kiểm tra xem nó có hoạt động đúng hay không.



CHÚ Ý: Nếu lưỡi dao không hoạt động đúng thì là do lưỡi dao đang không được gắn vào tay quay đúng cách. Tháo lưỡi dao ra và lắp lại lần nữa.

Lắp đặt hoặc tháo gỡ lưỡi xén dùng cho máy tia hàng rào

⚠ THẬN TRỌNG: Gắn nắp đẩy lưỡi dao trước khi tháo gỡ hoặc lắp đặt lưỡi dao.

CHÚ Ý: Nếu các bộ phận khác ngoài lưỡi dao như tay quay bị mòn, hãy nhờ Trung tâm dịch vụ Makita được ủy quyền để thay thế phụ tùng thay thế hoặc sửa chữa.

Tháo các lưỡi dao

- Đặt dụng cụ úp ngược xuống.
▶ **Hình23**
- Trong khi bấm cần khóa, xoay nắp đậy phía dưới ngược chiều kim đồng hồ cho đến khi  trên nắp đậy phía dưới cân thẳng hàng với  trên cần khóa.
▶ **Hình24**
- Tháo nắp đậy phía dưới.
▶ **Hình25**
- Vặn lỏng hai vít bằng tuốc-nơ-vít và tháo lưỡi dao ra.
▶ **Hình26: 1. Vít**





LƯU Ý: Bạn có thể tháo lưỡi dao ra mà không cần tháo các vít.

- Tháo tay quay ra khỏi lưỡi dao.
▶ **Hình27: 1. Tay quay**

LƯU Ý: Tay quay có thể vẫn còn nằm trong dụng cụ.

Gắn nắp lưỡi dao và bộ lưỡi dao đã tháo vào vỏ bảo quản, và sau đó cất giữ các lưỡi dao.

Lắp các lưỡi dao

- Chuẩn bị tay quay, nắp đậy phía dưới và lưỡi dao mới.
▶ **Hình28: 1. Tay quay 2. Nắp đậy phía dưới 3. Các lưỡi dao**
- Gắn nắp lưỡi dao lên lưỡi dao.
▶ **Hình29**
- Điều chỉnh ba chốt sao cho các chốt xếp thẳng hàng trên một trục cân chỉnh.
▶ **Hình30: 1. Trục cân chỉnh**
- Bôi một lượng nhỏ mỡ bôi trơn lên phần biên của tay quay. Gắn tay quay vào các chốt sao cho các vòng tròn nhỏ và lớn hướng xuống.
▶ **Hình31: 1. Tay quay**
- Trượt lưỡi dao sao cho lỗ trên bề mặt nằm ở vị trí trung tâm của các vòng trên lưỡi dao.
▶ **Hình32**
- Xoay lưỡi dao ngược lại và lắp sao cho chốt trên dụng cụ khớp với lỗ trên lưỡi dao. Tra máu của bề mặt vào rãnh trên dụng cụ. Hãy đảm bảo rằng lưỡi dao được cố định chắc chắn tại chỗ.
▶ **Hình33: 1. Máu**
- Vặn thật chặt hai vít bằng tuốc-nơ-vít.
▶ **Hình34: 1. Vít**
- Đặt nắp đậy phía dưới sao cho  trên nắp đậy phía dưới được cân thẳng hàng với  trên cần khóa.
▶ **Hình35**
- Trong khi nhấn nắp đậy phía dưới, xoay nắp đậy phía dưới theo kim đồng hồ cho đến khi  trên nắp đậy phía dưới thẳng hàng với  trên cần khóa.
▶ **Hình36**

- Hãy đảm bảo rằng cần khóa khớp với rãnh trên nắp đậy phía dưới.

▶ **Hình37: 1. Cần khóa**

⚠ THẬN TRỌNG: Không bao giờ sử dụng dụng cụ mà không lắp nắp đậy phía dưới.

- Tháo nắp đậy lưỡi dao rồi sau đó bật dụng cụ để kiểm tra xem nó có hoạt động đúng hay không.

CHÚ Ý: Nếu lưỡi dao không hoạt động đúng thì là do lưỡi dao đang không được gắn vào tay quay đúng cách. Tháo lưỡi dao ra và lắp lại lần nữa.

Lắp đặt hoặc tháo gỡ bộ nhận vỏ bào

Phụ kiện tùy chọn

⚠ THẬN TRỌNG: Khi lắp đặt hoặc tháo gỡ bộ nhận vỏ bào, luôn đeo găng tay và lắp nắp đậy lưỡi dao để tay và mặt không tiếp xúc trực tiếp với lưỡi dao.

Bộ nhận vỏ bào thu gom lá bào và giúp việc làm sạch sau đó trở nên dễ dàng hơn. Móc treo có thể được lắp ở cả hai bên của dụng cụ.

Để lắp bộ nhận vỏ bào, nhấn nó vào lưỡi dao sao cho các móc khớp với các lỗ trên lưỡi dao.

▶ **Hình38: 1. Các móc treo 2. Lỗ**

Để tháo bộ nhận vỏ bào, hãy nhấn cần khóa ở cả hai bên để tháo móc treo.

▶ **Hình39: 1. Cần**

CHÚ Ý: Không được cố tháo bộ nhận vỏ bào bằng cách dùng quá nhiều lực trên các móc treo đã được gắn cố định vào các lỗ của lưỡi dao.

VẬN HÀNH

⚠ CẢNH BÁO: Trước khi cắt, lấy hết gậy và đá ra khỏi khu vực cắt. Ngoài ra, phải làm sạch trước cỏ dại ra khỏi khu vực cắt.

▶ **Hình40**

⚠ CẢNH BÁO: Giữ tay tránh xa lưỡi cắt.

⚠ THẬN TRỌNG: Tránh vận hành dụng cụ trong thời tiết nóng càng nhiều càng tốt. Khi vận hành dụng cụ, hãy cẩn thận điều kiện thể chất của bạn.

Cắt (đối với cắt cỏ)

Bật dụng cụ sau khi điều chỉnh chiều cao cắt và giữ nó sao cho đáy dụng cụ nằm dựa trên mặt đất. Nhẹ nhàng di chuyển dụng cụ về phía trước.

▶ **Hình41**

Khi cắt tỉa xung quanh lề đường, hàng rào hay cây cối, di chuyển dụng cụ dọc theo chúng. Hãy cẩn thận để lưỡi dao không tiếp xúc với chúng.

► **Hình42**

Khi cắt tỉa chồi hoặc tán lá của cây nhỏ, hãy cắt từng chút một.

► **Hình43**

Cắt tỉa các cành lớn thành chiều cao mong muốn bằng cách sử dụng dụng cụ cắt cành trước khi dùng dụng cụ này.

CHÚ Ý: Không sử dụng dụng cụ với bất kỳ cách nào làm cho động cơ ngừng hoặc xoay cực chậm.

CHÚ Ý: Không được thử cắt cành cây đường kính lớn.

CHÚ Ý: Không để lưỡi dao tiếp xúc với mặt đất trong khi hoạt động. Lưỡi dao sẽ bị cùn, gây hiệu suất kém.

CHÚ Ý: Không cắt cỏ hoặc tán lá ướt của cây nhỏ.

Cắt cỏ dài

Không cố cắt tất cả cỏ dài trong một lần cắt. Thay vào đó, cắt cỏ theo các bước. Để cách một hoặc hai ngày giữa mỗi lần cắt cho đến khi bãi cỏ dài ngắn đều nhau.

► **Hình44**

LƯU Ý: Cắt tất cả cỏ dài thành một chiều dài ngắn trong một lần cắt có thể làm cho cỏ chết.

Cắt tỉa (đối với máy tỉa hàng rào)

⚠ THẬN TRỌNG: Cẩn thận để không vô tình tiếp xúc với hàng rào sắt hoặc các vật cứng khác khi đang cắt tỉa. Lưỡi dao có thể bị gãy và gây chấn thương.

⚠ THẬN TRỌNG: Hãy cẩn thận không để lưỡi dao tiếp xúc với mặt đất. Dụng cụ có thể bị bật lên và gây chấn thương.

⚠ THẬN TRỌNG: Dùng máy tỉa hàng rào ở tầm cao quá mức, đặc biệt nếu sử dụng thang, là rất nguy hiểm. Không làm việc trong khi đứng trên bất cứ thứ gì lung lay hoặc không chắc chắn.

CHÚ Ý: Không được cố cắt các cành cây lớn hơn đường kính 10 mm bằng dụng cụ này. Cắt các cành lớn thành 10 cm thấp hơn chiều cao cắt bằng cách sử dụng dụng cụ cắt cành trước khi dùng dụng cụ này.

► **Hình45:** (1) Chiều cao cắt (2) 10 cm

CHÚ Ý: Không được cắt cây chết khô hoặc các vật cứng tương tự. Điều này có thể làm hư hỏng thiết bị.

CHÚ Ý: Không cắt tỉa cỏ hoặc cỏ dại trong khi sử dụng lưỡi dao. Lưỡi dao có thể bị rơi trong cỏ hoặc cỏ dại.

Giữ công cụ bằng một tay, kéo cỏ khởi động công tắc trong khi bấm nút nhả khóa rồi di chuyển nó về phía trước.

► **Hình46**

Ở chế độ vận hành cơ bản, nghiêng lưỡi dao theo hướng cắt tỉa và di chuyển cẩn thận, từ từ với tốc độ 3 đến 4 giây mỗi mét.

► **Hình47**

Buộc dây đai ở độ cao hàng rào mong muốn và cắt dọc theo nó giúp bạn tỉa phần đầu hàng rào đều hơn.

► **Hình48**

Nếu bộ nhận vỏ bảo được gắn vào lưỡi dao, nó sẽ thu gom lá cỏ và giúp việc làm sạch sau đó trở nên dễ dàng hơn.

Để cắt một bên hàng rào được đều, hãy cắt từ dưới lên trên.

► **Hình49**

Khi cắt tỉa thành một hình tròn (cắt gỗ hoàng dương hay đồ quyền, v.v...), hãy cắt từ gốc lên ngọn để tạo thành phẩm đẹp.

► **Hình50**

BẢO TRÌ

⚠ THẬN TRỌNG: Hãy luôn chắc chắn rằng dụng cụ đã được tắt và hộp pin đã được tháo ra trước khi cố gắng thực hiện việc kiểm tra hay bảo dưỡng.

Để đảm bảo ĐỘ AN TOÀN và ĐỘ TIN CẬY của sản phẩm, việc sửa chữa hoặc bất cứ thao tác bảo trì, điều chỉnh nào đều phải được thực hiện bởi các Trung tâm Dịch vụ Nhà máy hoặc Trung tâm được Makita Ủy quyền và luôn sử dụng các phụ tùng thiết bị thay thế của Makita.

Làm sạch dụng cụ

Làm sạch dụng cụ bằng cách lau hết bụi bằng vải khô hoặc vải nhúng vào nước xà phòng và vắt khô.

CHÚ Ý: Không được phép dùng xăng, ét xăng, dung môi, cồn hoặc hóa chất tương tự. Có thể xảy ra hiện tượng mất màu, biến dạng hoặc nứt vỡ.

Bảo dưỡng lưỡi dao

Trước khi vận hành hoặc cứ mỗi giờ một lần trong thời gian vận hành, hãy bôi dầu có độ nhớt thấp (dầu máy, hoặc dầu bôi trơn loại phun) lên lưỡi dao.

► **Hình51**

► **Hình52**

Sau khi sử dụng, loại bỏ bụi khỏi hai bên lưỡi dao bằng chổi kim loại, lau sạch nó bằng một miếng vải rồi bôi dầu có độ nhớt thấp (dầu máy hoặc dầu bôi trơn loại phun) lên lưỡi dao.

► **Hình53**

► **Hình54**

CHÚ Ý: Không được rửa lưỡi dao với nước. Điều này có thể làm gỉ sét hoặc hỏng dụng cụ.

CHÚ Ý: Bụi bẩn và ăn mòn gây ra ma sát lưỡi dao quá mức và làm giảm bớt thời gian vận hành máy cho mỗi lần sạc pin.

Cất giữ

Lỗ để móc ở dưới đáy dụng cụ thuận tiện cho việc treo dụng cụ trên đỉnh hoặc ốc vít trên tường.

Đặt nắp đậy lưỡi dao lên lưỡi dao sao cho lưỡi dao không bị hở. Cất giữ dụng cụ ngoài tầm với trẻ em. Cất giữ dụng cụ ở địa điểm không tiếp xúc với hơi ẩm hoặc mưa.

► **Hình55:** 1. Lỗ

► **Hình56:** 1. Lỗ

PHỤ KIỆN TỰY CHỌN

⚠ THẬN TRỌNG: Các phụ kiện hoặc phụ tùng gắn thêm này được khuyến cáo sử dụng với dụng cụ Makita của bạn theo như quy định trong hướng dẫn này. Việc sử dụng bất cứ phụ kiện hoặc phụ tùng gắn thêm nào khác đều có thể gây ra rủi ro thương tích cho người. Chỉ sử dụng phụ kiện hoặc phụ tùng gắn thêm cho mục đích đã quy định sẵn của chúng.

Nếu bạn cần bất kỳ sự hỗ trợ nào để biết thêm chi tiết về các phụ tùng này, hãy hỏi Trung tâm Dịch vụ của Makita tại địa phương của bạn.

- Bộ lắp ráp lưỡi dao (dùng cho máy cắt cỏ)
- Nắp đậy lưỡi dao (dùng cho máy cắt cỏ)
- Bộ đựng cỏ (dùng cho máy cắt cỏ)
- Tay cầm dài đi kèm (dùng cho máy cắt cỏ)
- Bộ lắp ráp lưỡi dao (dùng cho máy tỉa hàng rào)
- Nắp đậy lưỡi dao (dùng cho máy tỉa hàng rào)
- Bộ nhận vỏ bảo (dùng cho máy tỉa hàng rào)
- Vỏ bảo quản
- Pin và bộ sạc chính hãng của Makita

LƯU Ý: Một số mục trong danh sách có thể được bao gồm trong gói dụng cụ làm phụ kiện tiêu chuẩn. Các mục này ở mỗi quốc gia có thể khác nhau.

ข้อมูลจำเพาะ

UM600D ติดตั้งพร้อมใบมีดตัดสำหรับเครื่องเล็มหญ้า

รุ่น:	UM600D
ความกว้างการตัด	160 mm
อัตราการชักใบมีดต่อนาที	2,500 min ⁻¹
ขนาด (ยาว x กว้าง x สูง)	347 mm x 177 mm x 131 mm
แรงดันไฟฟ้าสูงสุด	D.C. 10.8 V - 12 V max
น้ำหนักสุทธิ	1.3 - 1.5 kg

UH201D ติดตั้งพร้อมใบมีดตัดสำหรับเครื่องตัดแต่งพุ่มไม้

รุ่น:	UH201D
ความยาวใบเลื่อย	200 mm
อัตราการชักใบมีดต่อนาที	2,500 min ⁻¹
ขนาด (ยาว x กว้าง x สูง)	504 mm x 120 mm x 131 mm
แรงดันไฟฟ้าสูงสุด	D.C. 10.8 V - 12 V max
น้ำหนักสุทธิ	1.3 - 1.5 kg

- เนื่องจากการค้นคว้าวิจัยและพัฒนาอย่างต่อเนื่อง ข้อมูลจำเพาะในเอกสารฉบับนี้อาจเปลี่ยนแปลงได้โดยไม่ต้องแจ้งให้ทราบล่วงหน้า
- ข้อมูลจำเพาะและตลับแบตเตอรี่อาจแตกต่างกันไปในแต่ละประเทศ
- น้ำหนักอาจแตกต่างกันไปตามอุปกรณ์เสริม รวมถึงตลับแบตเตอรี่ การติดอุปกรณ์เสริมที่เบาที่สุดและหนักที่สุดตามข้อบังคับของ EPTA 01/2014 มีแสดงอยู่ในตาราง

ตลับแบตเตอรี่และเครื่องชาร์จที่ใช้ได้

ตลับแบตเตอรี่	BL1016 / BL1021B / BL1041B
เครื่องชาร์จ	DC10SA / DC10SB / DC10WC / DC10WD / DC18RE

- ตลับแบตเตอรี่และเครื่องชาร์จบางรายการที่แสดงอยู่ด้านบนอาจไม่มีวางจำหน่ายขึ้นอยู่กับภูมิภาคที่คุณอาศัยอยู่

⚠ คำเตือน: ใช้ตลับแบตเตอรี่และเครื่องชาร์จที่ระบุไว้ข้างบนเท่านั้น การใช้ตลับแบตเตอรี่และเครื่องชาร์จประเภทอื่นอาจก่อให้เกิดความเสี่ยงที่จะได้รับบาดเจ็บและ/หรือเกิดไฟไหม้

สัญลักษณ์










ต่อไปนี้เป็นสัญลักษณ์ที่อาจใช้สำหรับอุปกรณ์ โปรดศึกษาความหมายของสัญลักษณ์ให้เข้าใจก่อนการใช้งาน



ใช้ความระมัดระวังและความสนใจเป็นพิเศษ



อ่านคู่มือการใช้งาน

	สวมอุปกรณ์ป้องกันดวงตา
	อันตราย - ดูแลให้มืออยู่ห่างจากใบเลื่อย
	อันตราย ระวังชิ้นส่วนที่กระเด็นมา
	อย่าให้ผู้อื่นเข้ามาใกล้บริเวณที่ปฏิบัติงาน
	อุปกรณ์ตัดจะยังคงหมุนต่อไปแม้ว่าจะปิดมอเตอร์แล้วก็ตาม
	อย่าให้โดนความชื้น
 Ni-MH L-ion	<p>สำหรับประเทศในสหภาพยุโรปเท่านั้น</p> <p>เนื่องจากในอุปกรณ์มีส่วนประกอบอันตราย ขยะจำพวกอุปกรณ์ไฟฟ้า และอิเล็กทรอนิกส์ แบตเตอรี่ และหม้อแบตเตอรี่จึงอาจส่งผลต่อสิ่งแวดล้อมและสุขภาพของมนุษย์ในเชิงลบ</p> <p>อย่าทิ้งเครื่องใช้ไฟฟ้าและอิเล็กทรอนิกส์ หรือแบตเตอรี่ร่วมกับวัสดุเหลือทิ้งในครัวเรือน!</p> <p>เพื่อให้เป็นไปตามกฎระเบียบของยุโรปว่าด้วยขยะจำพวกอุปกรณ์ไฟฟ้าและอิเล็กทรอนิกส์ และหม้อสะสมไฟฟ้าและแบตเตอรี่ และขยะจำพวกหม้อสะสมไฟฟ้าและแบตเตอรี่ รวมถึงการบังคับใช้ตามกฎหมายภายในประเทศ ควรมีการจัดเก็บขยะจำพวกอุปกรณ์ไฟฟ้า แบตเตอรี่ และหม้อสะสมไฟฟ้าแยกต่างหากและส่งไปยังจุดรับขยะต่างหากในเขตเทศบาลซึ่งมีการดำเนินการตามระเบียบว่าด้วยการดูแลสิ่งแวดล้อม</p> <p>โดยระบุด้วยสัญลักษณ์เส้นคาดขวางรูปถังขยะแบบมีล้อไว้บนอุปกรณ์</p>
	ผ่านการรับรองระดับพลังงานเสียงตามกฎหมาย ระบุว่าด้วยเสียงรบกวนภายนอกของสหภาพยุโรป
	ระดับพลังงานเสียงตามข้อบังคับการควบคุมเสียงรบกวนของรัฐนิวเซาท์เวลส์ ประเทศออสเตรเลีย

จุดประสงค์การใช้งาน

- UM600D** ติดตั้งพร้อมใบมีดตัดสำหรับเครื่องเล็มหญ้า เครื่องมือนี้ใช้สำหรับเล็มปลายหญ้าหรือต้นอ่อน
- UH201D** ติดตั้งพร้อมใบมีดตัดสำหรับเครื่องตัดแต่งพุ่มไม้ เครื่องมือนี้ใช้สำหรับตัดแต่งพุ่มไม้

คำเตือนด้านความปลอดภัย

คำเตือนด้านความปลอดภัยของเครื่องมือไฟฟ้าทั่วไป

คำเตือน: โปรดอ่านคำเตือนด้านความปลอดภัย คำแนะนำ ภาพประกอบ และข้อมูลจำเพาะต่างๆ ที่ให้มา กับเครื่องมือไฟฟ้านี้อย่างละเอียด การไม่ปฏิบัติตามคำแนะนำดังต่อไปนี้ อาจส่งผลให้เกิดไฟฟ้าช็อต ไฟไหม้ และ/หรือได้รับบาดเจ็บอย่างร้ายแรงได้

เก็บรักษาคำเตือนและคำแนะนำทั้งหมดไว้เป็นข้อมูลอ้างอิงในอนาคต

คำว่า "เครื่องมือไฟฟ้า" ในคำเตือนนี้หมายถึงเครื่องมือไฟฟ้า (มีสาย) ที่ทำงานโดยใช้กระแสไฟฟ้าหรือเครื่องมือไฟฟ้า (ไร้สาย) ที่ทำงานโดยใช้แบตเตอรี่

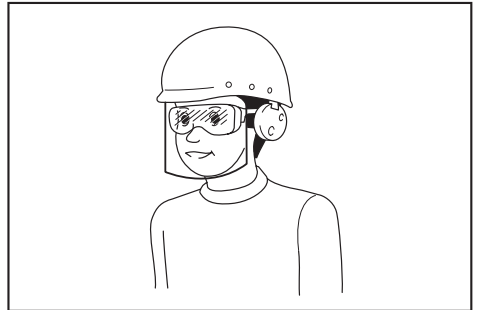
- ความปลอดภัยของพื้นที่ทำงาน**
1. ดูแลพื้นที่ทำงานให้มีความสะอาดและมีแสงไฟสว่าง พื้นที่ที่รกกระเถอะหรือมีดีดที่บดขยี้ไปสู่อากาศเกิดอุบัติเหตุได้
 2. อย่าใช้งานเครื่องมือไฟฟ้าในสภาพที่อาจเกิดการระเบิด เช่น ในสถานที่ที่มีของเหลว ก๊าซ หรือฝุ่นผงที่มีคุณสมบัติไวไฟ เครื่องมือไฟฟ้าอาจสร้างประกายไฟและจุดชนวนฝุ่นผงหรือก๊าซดังกล่าว
 3. ดูแลไม่ให้มีเด็กหรือบุคคลอื่นอยู่ในบริเวณที่กำลังใช้เครื่องมือไฟฟ้า การมีสิ่งรบกวนสมาธิอาจทำให้คุณสูญเสียการควบคุม

- ความปลอดภัยด้านไฟฟ้า**
1. ปลั๊กของเครื่องมือไฟฟ้าต้องพอดีกับเต้ารับ อย่าดัดแปลงปลั๊กไม่ว่ากรณีใดๆ อย่าใช้ปลั๊กอะแดปเตอร์กับเครื่องมือไฟฟ้าที่ต่อสายดิน ปลั๊กที่ไม่ถูกดัดแปลงและเต้ารับที่เข้ากันพอดีจะช่วยลดความเสี่ยงของการเกิดไฟฟ้าช็อต
 2. ระวังอย่าให้ร่างกายสัมผัสกับพื้นผิวที่ต่อสายดิน เช่น ท่อ เครื่องนำความร้อน เตาหุงต้ม และตู้เย็น มีความเสี่ยงที่จะเกิดไฟฟ้าช็อตสูงขึ้น หากร่างกายของคุณสัมผัสกับพื้น
 3. อย่าให้เครื่องมือไฟฟ้าถูกน้ำหรืออยู่ในสภาพเปียกชื้น น้ำที่ไหลเข้าไปในเครื่องมือไฟฟ้าจะเพิ่มความเสี่ยงของการเกิดไฟฟ้าช็อต

- อย่าใช้สายไฟอย่างไม่เหมาะสม อย่าใช้สายไฟเพื่อ ยก ดึง หรือถอดปลั๊กเครื่องมือไฟฟ้า เก็บสายไฟให้ ห่างจากความร้อน น้ำมัน ของมีคม หรือชิ้นส่วนที่ เคลื่อนที่ สายที่ชำรุดหรือพันกันจะเพิ่มความเสี่ยงของ การเกิดไฟฟ้าช็อต
- ขณะที่ใช้งานเครื่องมือไฟฟ้านอกอาคาร ควรใช้สาย ต่อพ่วงที่เหมาะสมกับงานภายนอกอาคาร การใช้สาย ที่เหมาะสมกับงานภายนอกอาคารจะลดความเสี่ยง ของการเกิดไฟฟ้าช็อต
- หากต้องใช้งานเครื่องมือไฟฟ้าในสถานที่เปียกชื้น ให้ ใช้อุปกรณ์ป้องกันกระแสไฟรั่ว (RCD) การใช้ RCD จะลดความเสี่ยงของการเกิดไฟฟ้าช็อต
- เครื่องมือไฟฟ้าอาจสร้างสนามแม่เหล็ก (EMF) ที่ไม่ เป็นอันตรายต่อผู้ใช้ อย่างไรก็ตาม ผู้ใช้ที่ใส่เครื่อง กระตุ้นหัวใจและอุปกรณ์ทางการแพทย์ที่คล้ายกันนี้ ควรติดต่อผู้ผลิตอุปกรณ์และ/หรือแพทย์เพื่อรับคำ แนะนำก่อนใช้งานเครื่องมือไฟฟ้านี้
- แต่งกายให้เหมาะสม อย่าสวมเครื่องแต่งกายที่หลวม เกินไป หรือสวมเครื่องประดับ ดูแลไม่ให้เส้นผมและ เลือ่ผ้าอยู่ใกล้ชิ้นส่วนที่เคลื่อนที่ เลือ่ผ้ารุ่มร่าม เครื่อง ประดับ หรือผมที่มีความยาวอาจเข้าไปติดในชิ้นส่วนที่ เคลื่อนที่
- หากมีการจัดอุปกรณ์สำหรับดูดและจับฝุ่นไว้ใน สถานที่ ให้ตรวจสอบว่าได้เชื่อมต่อและใช้งานอุปกรณ์ นั้นอย่างเหมาะสม การใช้เครื่องดูดและจับฝุ่นจะ ช่วยลดอันตรายที่เกิดจากฝุ่นผงได้
- อย่าให้ความคุ้นเคยจากการใช้งานเครื่องมือเป็น ประจําทำให้คุณทำตามตามสบายและละเลยหลักการ เพื่อความปลอดภัยในการใช้เครื่องมือ การกระทำที่ไม่ ระมัดระวังอาจทำให้เกิดการบาดเจ็บร้ายแรงภายใน เลี้ยววินาที
- สวมใส่แว่นครอบตานิรภัยเพื่อปกป้องดวงตาของคุณ จากการบาดเจ็บเมื่อใช้เครื่องมือไฟฟ้า แว่นครอบ ตาจะต้องได้มาตรฐาน ANSI Z87.1 ในสหรัฐอเมริกา, EN 166 ในยุโรป หรือ AS/NZS 1336 ในออสเตรเลีย/ นิวซีแลนด์ ในออสเตรเลีย/นิวซีแลนด์ จะต้องสวม กระจกป้องกันใบหน้าเพื่อปกป้องใบหน้าของคุณอย่าง ถูกต้องตามกฎหมายด้วย

ความปลอดภัยส่วนบุคคล

- ให้ระมัดระวังและมีสติอยู่เสมอขณะใช้งานเครื่องมือ ไฟฟ้า อย่าใช้งานเครื่องมือไฟฟ้าในขณะที่คุณกำลัง เหนื่อย หรือในสภาพที่มึนเมาจากยาเสพติด เครื่อง ดื่ม แอลกอฮอล์ หรือการใช้ยา ช่วงเวลาที่ขาดความ ระมัดระวังเมื่อกำลังใช้งานเครื่องมือไฟฟ้าอาจทำให้ได้ รับบาดเจ็บร้ายแรง
- ใช้อุปกรณ์ป้องกันส่วนบุคคล สวมแว่นตาป้องกันเสมอ อุปกรณ์ป้องกัน เช่น หน้ากากกันฝุ่น รองเท้านิรภัย กันลื่น หมวกนิรภัย หรือเครื่องป้องกันการได้ยินที่ใช้ ในสภาพที่เหมาะสมจะช่วยลดการบาดเจ็บ
- ป้องกันไม่ให้เกิดการเปิดใช้งานโดยไม่ตั้งใจ ตรวจสอบ ให้แน่ใจว่าสวิตช์ปิดอยู่ก่อนที่จะเชื่อมต่อกับแหล่งจ่าย ไฟ และ/หรือชุดแบตเตอรี่ รวมทั้งตรวจสอบก่อนการ ยกหรือเคลื่อนย้ายเครื่องมือ การถอดนิ้วมือบริเวณ สวิตช์เพื่อถืองมือไฟฟ้า หรือการชาร์จไฟเครื่อง มือไฟฟ้าในขณะที่เปิดสวิตช์อยู่อาจนำไปสู่การเกิด อุบัติเหตุ
- นำกฎฉบับปรับปรุงหรือประแจออกก่อนที่จะเปิดเครื่อง มือไฟฟ้า ประแจหรือกฎแจที่เสียบค้างอยู่ในชิ้นส่วนที่ หมุนได้ของเครื่องมือไฟฟ้าอาจทำให้ได้รับบาดเจ็บ
- อย่าทำงานในระยะที่สูดไอ้ม จัดท่ากรงยืนและการ ทรงตัวให้เหมาะสมตลอดเวลา เพราะจะทำให้ควบคุม เครื่องมือไฟฟ้าได้ดีขึ้นในสถานการณ์ที่ไม่คาดคิด



ผู้ว่าจ้างมีหน้าที่รับผิดชอบในการบังคับผู้ใช้งานเครื่องมือและบุคคลอื่นๆ ที่อยู่ในบริเวณที่ปฏิบัติงานให้ใช้อุปกรณ์ป้องกันที่เหมาะสม

การใช้และดูแลเครื่องมือไฟฟ้า

- อย่าฝืนใช้เครื่องมือไฟฟ้า ใช้เครื่องมือไฟฟ้าที่เหมาะสมกับการใช้งานของคุณ เครื่องมือไฟฟ้าที่เหมาะสม จะทำให้ได้งานที่มีประสิทธิภาพและปลอดภัยกว่าตามขีดความสามารถของเครื่องที่ได้รับการออกแบบมา
- อย่าใช้เครื่องมือไฟฟ้า หากสวิตช์ไม่สามารถเปิดปิดได้ เครื่องมือไฟฟ้าที่ควบคุมด้วยสวิตช์ไม่ได้เป็นสิ่ง อันตรายและต้องได้รับการซ่อมแซม

3. ถอดปลั๊กจากแหล่งจ่ายไฟ และ/หรือชุดแบตเตอรี่ ออกจากเครื่องมือไฟฟ้าก่อนทำการปรับตั้ง เปลี่ยน อุปกรณ์เสริม หรือจัดเก็บเครื่องมือไฟฟ้า วิธีการ ป้องกันด้านความปลอดภัยดังกล่าวจะช่วยลดความเสี่ยงในการเปิดใช้งานเครื่องมือไฟฟ้าโดยไม่ตั้งใจ
4. จัดเก็บเครื่องมือไฟฟ้าที่ไม่ได้ใช้งานให้ห่างจากมือเด็ก และอย่าอนุญาตให้บุคคลที่ไม่คุ้นเคยกับเครื่องมือไฟฟ้าหรือคำแนะนำเหล่านี้ใช้งานเครื่องมือไฟฟ้า เครื่องมือไฟฟ้าจะเป็นอันตรายเมื่ออยู่ในมือของผู้ที่ไม่ได้รับการฝึกอบรม
5. บำรุงรักษาเครื่องมือไฟฟ้าและอุปกรณ์เสริม ตรวจสอบการประกอบที่ไม่ถูกต้องหรือการเชื่อมต่อของ ชิ้นส่วนที่เคลื่อนที่ การแตกหักของชิ้นส่วน หรือ สภาพอื่น ๆ ที่อาจส่งผลกระทบต่อการทำงานของ เครื่องมือไฟฟ้า หากมีความเสียหาย ให้นำเครื่องมือ ไฟฟ้าไปซ่อมแซมก่อนการใช้งาน อุบัติเหตุจำนวนมากเกิดจากการดูแลรักษาเครื่องมือไฟฟ้าอย่างไม่ถูกต้อง
6. ทำความสะอาดเครื่องมือตัดและลับให้คมอยู่เสมอ เครื่องมือการตัดที่มีการดูแลอย่างถูกต้องและมีขอบ การตัดคมมักจะมีปัญหาติดขัดน้อยและควบคุมได้ง่ายกว่า
7. ใช้เครื่องมือไฟฟ้า อุปกรณ์เสริม และวัสดุสิ้นเปลือง ตามคำแนะนำดังกล่าวก่อนพิจารณาสภาพการทำงานและงานที่จะลงมือทำ การใช้เครื่องมือไฟฟ้า เพื่อทำงานอื่นนอกเหนือจากที่กำหนดไว้อาจทำให้เกิดอันตราย
8. ดูแลมือจับและบริเวณมือจับให้แห้ง สะอาด และไม่มี น้ำมันและจารบีเปื้อน มือจับและบริเวณมือจับที่ลื่น จะทำให้ไม่สามารถจับและควบคุมเครื่องมือได้อย่าง ปลอดภัยในสถานการณ์ที่ไม่คาดคิด
9. ขณะใช้งานเครื่องมือ อย่าสวมใส่ถุงมือผ้าที่อาจเข้าไป ติดในเครื่องมือได้ หากถุงมือผ้าเข้าไปติดในชิ้นส่วนที่ กำลังเคลื่อนที่อยู่อาจทำให้ได้รับบาดเจ็บ

การใช้งานและดูแลเครื่องมือที่ใช้แบตเตอรี่

1. ชาร์จไฟใหม่ด้วยเครื่องชาร์จที่ระบุโดยผู้ผลิตเท่านั้น เครื่องชาร์จที่เหมาะสมสำหรับชุดแบตเตอรี่ประเภทหนึ่ง อาจเสี่ยงที่จะเกิดไฟไหม้หากนำไปใช้กับชุดแบตเตอรี่ อีกประเภทหนึ่ง
2. ใช้เครื่องมือไฟฟ้ากับชุดแบตเตอรี่ที่กำหนดมาโดยเฉพาะเท่านั้น การใช้ชุดแบตเตอรี่ประเภทอื่นอาจ ทำให้เสี่ยงที่จะได้รับบาดเจ็บและเกิดไฟไหม้

3. เมื่อไม่ใช้งานชุดแบตเตอรี่ ให้เก็บห่างจากวัตถุที่เป็น โลหะอื่น ๆ เช่น คลิปหนีบกระดาษ เหรียญ กุญแจ การกรัดเล็บ สกรู หรือวัตถุที่เป็นโลหะขนาดเล็ก อื่น ๆ ที่สามารถเชื่อมต่อขั้วหนึ่งกับอีกขั้วหนึ่งได้ การ ลัดวงจรขั้วแบตเตอรี่อาจทำให้อ่อนจัดหรือเกิดไฟไหม้
4. ในกรณีที่ใช้งานไม่ถูกต้อง อาจมีของเหลวไหลออก จากแบตเตอรี่ ให้หลีกเลี่ยงการสัมผัส หากสัมผัส โดรนของเหลวโดยไม่ตั้งใจ ให้ล้างออกด้วยน้ำ หาก ของเหลวกระเด็นเข้าตา ให้รีบไปพบแพทย์ ของเหลว ที่ไหลออกจากแบตเตอรี่อาจทำให้ผิวหนังระคายเคือง หรือไหม้
5. ห้ามใช้ชุดแบตเตอรี่หรือเครื่องมือที่ชาร์จหรือมีการ แก้ว แบตเตอรี่ที่เสียหายหรือมีการแก้ไขอาจทำให้เกิดสิ่งที่คาดไม่ถึงได้ เช่น ไฟไหม้ ระเบิด หรือเสี่ยง ต่อการบาดเจ็บ
6. ห้ามให้ชุดแบตเตอรี่อยู่ใกล้ไฟ หรือบริเวณที่มีอุณหภูมิ สูงเกิน หากโดนไฟ หรืออุณหภูมิสูงเกิน 130 °C อาจ ก่อให้เกิดการระเบิดได้
7. กรุณาปฏิบัติตามคำแนะนำสำหรับการชาร์จไฟ และ ห้ามชาร์จแบตเตอรี่หรือเครื่องมือในบริเวณที่มี อุณหภูมิ นอกเหนือไปจากที่ระบุในคำแนะนำ การชาร์จ ไฟที่ไม่เหมาะสม หรืออุณหภูมิ นอกเหนือไปจากช่วง อุณหภูมิที่ระบุในคำแนะนำอาจทำให้แบตเตอรี่เสียหาย และเป็น การเพิ่มความเสี่ยงในการเกิดไฟไหม้

การซ่อมบำรุง

1. นำเครื่องมือไฟฟ้าเข้ารับบริการจากช่างซ่อมที่ผ่าน การรับรองโดยใช้อะไหล่แบบเดียวกันเท่านั้น เพราะจะ ทำให้การใช้เครื่องมือไฟฟ้ามีความปลอดภัย
2. ห้ามใช้ชุดแบตเตอรี่ที่เสียหาย ชุดแบตเตอรี่ที่ใช้ควร เป็นชุดที่มาจากผู้ผลิต หรือผู้ให้บริการที่ได้รับอนุญาต เท่านั้น
3. ปฏิบัติตามคำแนะนำในการหล่อลื่นและการเปลี่ยน อุปกรณ์เสริม

คำเตือนด้านความปลอดภัยของเครื่องเล็มหญ้า ไร้สาย

คำแนะนำทั่วไป

1. เพื่อให้มั่นใจว่าสามารถทำงานได้อย่างถูกต้อง ผู้ใช้จะต้องอ่านคู่มือการใช้งานเพื่อทำความเข้าใจกับการใช้ งานเครื่องมือนี้ ผู้ใช้ที่มีความรู้ไม่เพียงพอจะเสี่ยงต่อ การทำให้เกิดอันตรายแก่ตนเองและผู้อื่นเนื่องจากการ ใช้งานอย่างไม่เหมาะสม

- อย่าให้เด็ก บุคคลที่มีความสามารถทางกายภาพ ประสาทสัมผัส หรือจิตใจบกพร่อง หรือขาด ประสิทธิภาพและความรู้ หรือผู้ที่ไม่คุ้นเคยกับคำแนะนำเหล่านี้ ใช้งานเครื่องมือโดยเด็ดขาด และข้อ บังคับในห้องถิ่นอาจมีการจำกัดอายุของผู้ปฏิบัติงาน
- ใช้เครื่องมือด้วยความระมัดระวังและให้ความสนใจเป็นพิเศษ
- ใช้งานเครื่องมือเมื่อมีสภาพร่างกายสมบูรณ์เท่านั้น ทำงานอย่างใจเย็นและใช้ความระมัดระวังทุกครั้ง โปรดรมีสติและโปรดทราบว่ามีผู้ปฏิบัติงานหรือผู้ใช้งาน ต้องเป็นผู้รับผิดชอบต่ออุบัติเหตุหรืออันตรายที่เกิดขึ้น ต่อบุคคลหรือทรัพย์สินของบุคคลอื่น
- ห้ามใช้งานเครื่องมือขณะที่ผู้อื่น โดยเฉพาะเด็กหรือ สัตว์เลี้ยงอยู่ใกล้เคียง
- ต้องปิดสวิตช์มอเตอร์ทันทีในกรณีที่เครื่องมือเกิด ปัญหาหรือมีอาการผิดปกติ
- ปิดสวิตช์และถอดปลั๊กแบตเตอรี่ออกขณะพักเครื่อง และเมื่อทิ้งเครื่องมือไว้โดยไม่มีผู้ดูแล และวางเครื่องมือไว้ในสถานที่ปลอดภัยเพื่อป้องกันอันตรายต่อผู้อื่น หรือความเสียหายต่อเครื่องมือ
- หลีกเลี่ยงการใช้เครื่องมือในสภาพอากาศเลวร้าย โดยเฉพาะเมื่อมีความเสี่ยงจะเกิดฟ้าผ่า

อุปกรณ์ป้องกันส่วนบุคคล

- สวมอุปกรณ์ป้องกันดวงตาและรองเท้าที่มีความหนา ตลอดเวลาขณะใช้งานเครื่องมือ
- ใส่รองเท้าที่แข็งแรงและกางเกงขายาวระหว่างที่ใช้งานเครื่องมือ

การเริ่มใช้งานเครื่องมือ

- ตรวจสอบให้แน่ใจว่าไม่มีเด็กหรือผู้อื่นอยู่ในบริเวณ ใกล้เคียง และระวังสัตว์ที่อยู่ในบริเวณที่ทำงานด้วย มิฉะนั้น ให้หยุดใช้งานอุปกรณ์
- ก่อนใช้งาน ให้ตรวจสอบทุกครั้งว่าเครื่องมือสามารถ ทำงานได้อย่างปลอดภัย ตรวจสอบความปลอดภัย ของเครื่องมือตัดและที่ป้องกันและสวิตช์สั่งงาน/ก้าน สวิตช์เพื่อการทำงานที่ง่ายตายและเหมาะสม ตรวจสอบว่ามีสิ่งจับสละอดและแห้ง และทดสอบการทำงาน ของสวิตช์เปิด/ปิด

- ตรวจสอบส่วนที่เสียหายก่อนใช้งานเครื่องมือต่อ ต้อง ตรวจสอบอุปกรณ์ป้องกันหรือส่วนที่เสียหายอย่าง ละเอียดเพื่อพิจารณาว่าสามารถใช้งานเครื่องมือได้ อย่างเหมาะสมตามจุดประสงค์การใช้งานหรือไม่ ตรวจสอบความพร้อมเรียบร้อยของชิ้นส่วนที่หมุนได้ การ ติดขัดของชิ้นส่วนที่หมุนได้ การแตกหักหรือชำรุด การยึดติด และเงื่อนไขอื่นๆ ที่อาจจะส่งผลกระทบต่อ การใช้งาน ควรซ่อมแซมหรือเปลี่ยนแปลงอุปกรณ์ ป้องกันหรือส่วนอื่นๆ ที่เสียหายโดยศูนย์บริการที่ได้รับ อนุญาตของเรา เว้นแต่จะมีการระบุไว้เป็นอย่างอื่น ในคู่มือฉบับนี้
- เปิดสวิตช์มอเตอร์เมื่อมือและเท้าอยู่ห่างจากเครื่องมือ ตัดเท่านั้น
- ก่อนเริ่ม ตรวจสอบให้แน่ใจว่าเครื่องมือตัดไม่สัมผัส กับสิ่งของใดๆ

วิธีการใช้งาน

- ใช้เครื่องมือเมื่อมีแสงสว่างเพียงพอและเห็นได้ชัดเจน เท่านั้น ระหว่างฤดูหนาว ระวังพื้นที่ลื่นหรือเปียก น้ำ แข็งและหิมะ (เสี่ยงต่อการลื่นล้ม) ตรวจสอบให้แน่ใจ ว่ามีท่าการยืนที่ปลอดภัยบนทางลาดและโปรดเดิน อย่างช้า
- ระวังอย่าให้เกิดบาดแผลจากเครื่องมือตัดที่เท้าและมือ
- ห้ามยืนบนบันไดขณะใช้งานเครื่องมือ
- ห้ามปีนขึ้นบนต้นไม้เพื่อทำการตัดด้วยเครื่องมือ
- ห้ามทำงานบนพื้นผิวที่ไม่มั่นคง
- ขจัดทราย หิน ตะปู และอื่นๆ ที่ทับภายในขอบเขต การทำงาน สิ่งแปลกปลอมอาจทำให้เครื่องมือตัดเสียหายและอาจก่อให้เกิดการติดกลับที่อันตราย
- หากเครื่องมือตัดกระทบกับหินหรือของแข็งอื่นๆ ให้ ปิดสวิตช์มอเตอร์และตรวจสอบเครื่องมือตัดทันที
- ตรวจสอบความเสียหายของเครื่องมือตัดเป็นประจำ (ตรวจสอบรอยแตกกร้าวด้วยการทดสอบเสียงเคาะ)
- ก่อนเริ่มตัด เครื่องมือตัดจะต้องทำงานด้วยความเร็ว สูงสุด
- เครื่องมือตัดจะต้องติดตั้งที่ป้องกันที่เหมาะสม ห้าม ใช้เครื่องมือที่มีที่ป้องกันที่เสียหายหรือไม่ติดตั้งที่ ป้องกัน!
- ติดตั้งอุปกรณ์ป้องกันและที่ป้องกันทั้งหมดที่หามา กับ เครื่องมือต้องนำไปใช้ในระหว่างการทำงาน
- ถอดปลั๊กแบตเตอรี่ออกจากเครื่องมือทุกครั้ง
 - เมื่อทิ้งเครื่องมือไว้โดยไม่มีผู้ดูแล
 - ก่อนกำจัดสิ่งกีดขวาง
 - ก่อนตรวจสอบ ทำความสะอาด หรือจัดการ เครื่องมือ

— หลังจากกระแทกเข้ากับวัตถุแปลกปลอม

— เมื่ออุปกรณ์เริ่มสั่นอย่างผิดปกติ

13. ตรวจสอบว่าช่องระบายอากาศไม่มีเศษขยะเสมอ
14. อุปกรณ์ตัดจะยังคงหมุนต่อไปแม้ว่าจะปิดมอเตอร์แล้วก็ตาม
15. หากใบเลื่อยหยุดหมุนเนื่องจากมีวัตถุแปลกปลอมเข้ามาติดระหว่างการทำงาน ให้ปิดสวิตช์เครื่องมือและถอดด้ามแบตเตอรี่ จากนั้นนำวัตถุแปลกปลอมออกโดยใช้เครื่องมือ เช่น คีม การนำวัตถุแปลกปลอมออกด้วยมือเปล่าอาจทำให้ได้รับบาดเจ็บ เนื่องจากใบเลื่อยอาจเคลื่อนที่ซึ่งเป็นปฏิกิริยาตอบกลับเพื่อนำวัตถุแปลกปลอมออก

เครื่องมือตัด

ใช้เครื่องมือตัดที่ถูกต้องสำหรับงานที่ทำ

คำแนะนำในการบำรุงรักษา

1. สภาพของเครื่องมือ โดยเฉพาะเครื่องมือตัดของอุปกรณ์การป้องกันจะต้องตรวจสอบก่อนเริ่มทำงาน
2. ปิดมอเตอร์และถอดด้ามแบตเตอรี่ก่อนทำการบำรุงรักษา เปลี่ยนเครื่องมือตัด หรือทำความสะอาดเครื่องมือหรือเครื่องมือตัด
3. เมื่อไม่ใช้งาน ให้เก็บเครื่องมือในร่มที่แห้งและอยู่บนที่สูงหรือปิดล็อกให้ห่างจากมือเด็ก ทำความสะอาดและบำรุงรักษาก่อนเก็บ

ปฏิบัติตามคำแนะนำเหล่านี้

คำเตือน: อย่าให้ความไม่ระมัดระวังหรือความคุ้นเคยกับผลิตภัณฑ์ (จากการใช้งานซ้ำหลายครั้ง) อยู่เหนือการปฏิบัติตามกฎเกณฑ์ด้านความปลอดภัยในการใช้งาน ผลิตภัณฑ์อย่างเคร่งครัด การใช้งานอย่างไม่เหมาะสมหรือการไม่ปฏิบัติตามกฎเกณฑ์ด้านความปลอดภัยในคู่มือการใช้งานนี้อาจทำให้ได้รับบาดเจ็บร้ายแรง

คำเตือนด้านความปลอดภัยของเครื่องตัดแต่งพุ่มไม้ไร้สาย

1. ดูแลให้ทุกส่วนของร่างกายอยู่ห่างจากใบเลื่อย ยอานำวัสดุที่ตัดแล้วออกหรือจับวัสดุเพื่อทำการตัดในขณะที่ใบเลื่อยกำลังทำงานอยู่ ใบเลื่อยจะยังคงเคลื่อนไหวต่อไปแม้ว่าจะปิดสวิตช์แล้วก็ตาม ช่วงเวลาที่ขาดความระมัดระวังในขณะที่ใช้งานเครื่องตัดแต่งพุ่มไม้ อาจส่งผลให้ได้รับบาดเจ็บสาหัสได้

2. ถือเครื่องตัดแต่งพุ่มไม้โดยจับที่มือจับ ใบเลื่อยหยุดนิ่งแล้ว และระวังอย่าใช้งานสวิตช์ไฟใดๆ การถือเครื่องตัดแต่งพุ่มไม้ไม่เหมาะสมจะช่วยลดความเสี่ยงในการสตรัทหรือเครื่องโดยไม่ได้ตั้งใจและการบาดเจ็บจากใบเลื่อยที่เกิดขึ้นหลังจากนั้นได้

3. ขณะขนย้ายหรือเก็บเครื่องตัดแต่งพุ่มไม้ ให้ใส่ฝาครอบใบเลื่อยเสมอ การจัดการเครื่องตัดแต่งพุ่มไม้ไม่เหมาะสมจะช่วยลดความเสี่ยงในการบาดเจ็บจากใบเลื่อยได้

4. เมื่อต้องการกำจัดสิ่งที่ติดอยู่หรือทำการบำรุงรักษาเครื่องมือ ให้ตรวจสอบว่าได้ปิดสวิตช์ไฟทุกอันและถอดหรือตัดการเชื่อมต่อชุดแบตเตอรี่ออกแล้ว การที่เครื่องตัดแต่งพุ่มไม้ทำงานขึ้นมาโดยไม่คาดคิดขณะที่กำลังกำจัดสิ่งที่ติดอยู่หรือทำการบำรุงรักษาเครื่องมือ อาจทำให้เกิดการบาดเจ็บร้ายแรงได้

5. ถือเครื่องตัดแต่งพุ่มไม้โดยจับพื้นผิวส่วนที่ห่อหุ้มด้วยฉนวนไฟฟ้าเท่านั้น เนื่องจากใบเลื่อยอาจสัมผัสกับสายไฟที่ซ่อนอยู่ ใบเลื่อยที่สัมผัสกับสายไฟที่ “มีกระแสไฟฟ้าไหลผ่าน” อาจทำให้ส่วนที่เป็นโลหะของเครื่องตัดแต่งพุ่มไม้ที่ไม่มีฉนวนหุ้ม “มีกระแสไฟฟ้าไหลผ่าน” และทำให้ผู้ปฏิบัติงานถูกไฟฟ้าช็อตได้

6. ให้สายไฟและสายเคเบิลทุกเส้นอยู่ห่างจากพื้นที่ตัดสายไฟและสายเคเบิลอาจซ่อนอยู่ในแนวต้นไม้เตี้ยหรือพุ่มไม้และอาจถูกใบมีดตัดขาดโดยไม่ตั้งใจได้

7. อย่าใช้เครื่องตัดแต่งพุ่มไม้ในสภาพอากาศที่ไม่ดี โดยเฉพาะเมื่อมีความเสี่ยงที่จะเกิดฟ้าผ่า ซึ่งจะเพิ่มความเสี่ยงในการถูกฟ้าผ่า

8. อันตรรกะ - ยอานำมือเข้าไปใกล้ใบเลื่อย การสัมผัสกับใบเลื่อยอาจทำให้ได้รับบาดเจ็บสาหัสได้

9. การเอื้อมตัดด้วยเครื่องตัดแต่งพุ่มไม้ โดยเฉพาะการเอื้อมจากบนใต้ถือเป็นการกระทำที่อันตรายมาก อย่าทำงานขณะยืนอยู่บนสิ่งที่โยกเยกไปมาได้หรือไม่มั่นคง

10. อย่าใช้เครื่องตัดแต่งพุ่มไม้ขณะฝนตกหรือในสภาพเปียกหรือมีความชื้นมาก มอเตอร์ไฟฟ้าไม่สามารถกันน้ำได้

11. ผู้ที่ใช้งานอุปกรณ์เป็นครั้งแรกควรให้ผู้ใช้งานเครื่องตัดแต่งพุ่มไม้ที่มีประสบการณ์แสดงวิธีใช้งานให้ดู

12. ห้ามให้เด็กหรือเยาวชนอายุต่ำกว่า 18 ปีใช้งานเครื่องตัดแต่งพุ่มไม้ โดยอาจเว้นข้อจำกัดนี้ให้แก่เยาวชนที่มีอายุเกิน 16 ปีหากเยาวชนดังกล่าวได้ผ่านการฝึกอบรมภายใต้การควบคุมดูแลของผู้เชี่ยวชาญแล้ว

13. ใช้เครื่องตัดแต่งฟุ่มไม้เมื่อมีสภาพร่างกายสมบูรณ์เท่านั้น หากรู้สึกเหนื่อย สม่่าริจะลดลง โปรดใช้ความระมัดระวังเป็นพิเศษในช่วงท้ายของวันทำงาน ทำงานอย่างใจเย็นและใช้ความระมัดระวังทุกครั้ง ผู้ใช้ต้องรับผิดชอบต่อความเสียหายทั้งหมดที่เกิดขึ้นต่อบุคคลที่สาม
14. ห้ามใช้เครื่องตัดแต่งขณะอยู่ในสภาพที่มึนเมาจากยาเสพติด เครื่องดื่มแอลกอฮอล์ หรือการใช้ยา
15. ถูงมือหนึ่งอย่างหนึ่งเป็นหนึ่งในอุปกรณ์พื้นฐานของเครื่องตัดแต่งฟุ่มไม้และจะต้องใส่ทุกครั้งที่ใช้งานเครื่องตัด และสวมรองเท้าแข็งแรงที่มีพื้นกันลื่น
16. ก่อนเริ่มทำงาน ให้ตรวจสอบเพื่อให้แน่ใจว่าเครื่องตัดแต่งสามารถทำงานได้อย่างดีและปลอดภัย ตรวจสอบให้แน่ใจว่าได้ติดตั้งที่ป้องกันแล้วอย่างเหมาะสม ห้ามใช้งานเครื่องตัดแต่งฟุ่มไม้ที่ไม่ได้ประกอบอย่างสมบูรณ์
17. ตรวจสอบให้แน่ใจว่ามีทำการยืนยันที่มั่นคงก่อนเริ่มทำงาน
18. ถือเครื่องมือไว้ให้มั่นคงขณะใช้งาน
19. อย่าใช้เครื่องมือโดยเปิดเครื่องทิ้งไว้เฉยๆ โดยไม่จำเป็น
20. ปิดสวิตช์มอเตอร์และถอดดัลล์แบตเตอรี่ออกทันทีหากใบเลื่อยสัมผัสกับวัตถุหรือของแข็งอื่นๆ ตรวจสอบความปลอดภัยของใบเลื่อย และหากเสียหาย ให้ซ่อมแซมทันที
21. ก่อนตรวจสอบใบเลื่อย แก๊วไขความบกพร่อง หรือนำวัสดุที่ติดอยู่ในใบเลื่อยออก ให้ปิดสวิตช์เครื่องตัดแต่งและถอดดัลล์แบตเตอรี่ออก
22. ปิดสวิตช์เครื่องตัดแต่งและถอดดัลล์แบตเตอรี่ออกก่อนทำการบำรุงรักษาใดๆ
23. ขณะย้ายเครื่องตัดแต่งฟุ่มไม้ไปที่อื่น รวมถึงในระหว่างทำงาน ให้ถอดดัลล์แบตเตอรี่ออกและใส่ฝาครอบใบเลื่อยบนใบเลื่อยคัตเตอร์เสมอ ห้ามถือหรือขนย้ายเครื่องตัดแต่งโดยที่ใบเลื่อยกำลังทำงานอยู่ ห้ามจับใบเลื่อยด้วยมือเด็ดขาด
24. ทำความสะอาดเครื่องตัดแต่งฟุ่มไม้และโดยเฉพาะใบเลื่อยหลังใช้งาน และก่อนเก็บเครื่องตัดแต่งเป็นระยะเวลานาน ทาหน้ามันบางๆ บนใบเลื่อยและใส่ฝาครอบฝาครอบที่หุ้มกับเครื่องสามารถแขวนไว้บนกำแพงได้ ทำให้สามารถเก็บเครื่องตัดแต่งฟุ่มไม้ได้อย่างปลอดภัยและเหมาะสม
25. เก็บเครื่องตัดแต่งฟุ่มไม้พร้อมใส่ฝาครอบในท้องที่แห้งเก็บให้ห่างจากมือเด็ก ห้ามเก็บเครื่องตัดแต่งไว้กลางแจ้ง
26. ห้ามหันใบเลื่อยตัดเข้าหาตัวเองหรือผู้อื่น
27. หากใบเลื่อยหยุดหมุนเนื่องจากมีวัตถุแปลกปลอมเข้ามามีติดระหว่างการทำงาน ให้ปิดสวิตช์เครื่องมือและถอดดัลล์แบตเตอรี่ จากนั้นนำวัตถุแปลกปลอมออกโดยใช้เครื่องมือ เช่น คีม การนำวัตถุแปลกปลอมออกด้วยมือเปล่าอาจทำให้ได้รับบาดเจ็บ เนื่องจากใบเลื่อยอาจเคลื่อนที่ซึ่งเป็นปฏิกิริยาตอบกลับเพื่อนำวัตถุแปลกปลอมออก
28. หลีกเลี้ยงสภาพแวดล้อมที่อันตราย อย่าใช้เครื่องมือในสถานที่ที่เปียกหรือชื้น หรือให้เครื่องมือโดนน้ำฝน น้ำที่ไหลเข้าไปในเครื่องมือจะเพิ่มความเสี่ยงของการเกิดไฟฟ้าช็อต
29. อย่าทิ้งแบตเตอรี่ในกองไฟ เซลล์แบตเตอรี่อาจระเบิดได้ ตรวจสอบหลักเกณฑ์ในท้องถิ่นเพื่อค้นหาคำแนะนำในการกำจัดที่อาจต้องทำเป็นพิเศษ
30. อย่าแกะหรือทำลายแบตเตอรี่ สารละลายอิเล็กโทรไลต์ที่รั่วออกมามีฤทธิ์กัดกร่อนและสามารถทำให้เกิดอันตรายต่อดวงตาหรือผิวหนัง อาจเป็นพิษได้หากกลืนลงไป
31. อย่าชาร์จแบตเตอรี่ที่กลางแจ้งหรือในสถานที่ที่เปียก
32. ตรวจสอบว่าแนวฟุ่มไม้และฟุ่มไม้มีวัตถุแปลกปลอมหรือไม่ เช่น รั้วลวด หรือการเดินสายไฟที่ซ่อนอยู่ ก่อนใช้งานเครื่องมือ

ปฏิบัติตามคำแนะนำเหล่านี้

คำเตือน: อย่าให้ความระมัดระวังหรือความคุ้นเคยกับผลิตภัณฑ์ (จากการใช้งานซ้ำหลายครั้ง) อยู่เหนือการปฏิบัติตามกฎเกณฑ์ด้านความปลอดภัยในการใช้งาน ผลิตภัณฑ์อย่างเคร่งครัด การใช้งานอย่างไม่เหมาะสมหรือการไม่ปฏิบัติตามกฎเกณฑ์ด้านความปลอดภัยในคู่มือการใช้งานนี้อาจทำให้ได้รับบาดเจ็บร้ายแรง

คำแนะนำเพื่อความปลอดภัยที่สำคัญสำหรับดัลล์แบตเตอรี่

1. ก่อนใช้งานดัลล์แบตเตอรี่ ให้อ่านคำแนะนำและเครื่องหมายเตือนทั้งหมดบน (1) เครื่องชาร์จแบตเตอรี่ (2) แบตเตอรี่ และ (3) ตัวผลิตภัณฑ์ที่ใช้แบตเตอรี่
2. อย่าถอดแยกชิ้นส่วนหรือทำการดัดแปลงดัลล์แบตเตอรี่ เนื่องจากอาจทำให้เกิดไฟไหม้ ความร้อนที่สูงเกินไป หรือระเบิดได้
3. หากระยะเวลาที่เครื่องทำงานสั้นเกินไป ให้หยุดใช้งานทันที เนื่องจากอาจมีความเสี่ยงที่จะร้อนจัด ไฟไหม้หรือระเบิดได้

4. หากสารละลายอิเล็กโทรไลต์กระเด็นเข้าตา ให้ล้างออกด้วยน้ำเปล่าและรีบไปพบแพทย์ทันที เนื่องจากอาจทำให้ตาบอด
5. ห้ามลัดวงจรตลับแบตเตอรี่:
 - (1) ห้ามแตะขั้วกับวัตถุที่เป็นสื่อนำไฟฟ้าใดๆ
 - (2) หลีกเลี่ยงการเก็บตลับแบตเตอรี่ไว้ในภาชนะร่วมกับวัตถุที่เป็นโลหะ เช่น กรรไกรตัดเล็บ เหรียญ ฯลฯ
 - (3) อย่าให้ตลับแบตเตอรี่ถูกน้ำหรือฝน แบตเตอรี่ลัดวงจรอาจทำให้เกิดการไหลของกระแสไฟฟ้า ร้อนจัดไหม้หรือเสียหายได้
6. ห้ามเก็บและใช้เครื่องมือและตลับแบตเตอรี่ไว้ในสถานที่ที่มีอุณหภูมิสูงถึงหรือเกิน 50 °C (122 °F)
7. ห้ามเผาตลับแบตเตอรี่ทิ้ง แม้ว่าแบตเตอรี่จะเสียหายจนใช้การไม่ได้หรือเสื่อมสภาพแล้ว ตลับแบตเตอรี่อาจจะระเบิดในกองไฟ
8. อย่าดองตะปู ตัด บด ขั้วง หรือทำตลับแบตเตอรี่หล่นพื้น หรือกระแทกตลับแบตเตอรี่กับวัตถุของแข็ง การกระทำดังกล่าวอาจส่งผลให้เกิดไฟไหม้ ความร้อนที่สูงเกินไป หรือระเบิดได้
9. ห้ามใช้แบตเตอรี่ที่เสียหาย
10. แบตเตอรี่ลิเทียมไอออนที่มีน้ำหนักนั้นเป็นไปตามข้อกำหนดของ Dangerous Goods Legislation สำหรับการขนส่งเพื่อการพาณิชย์ เช่น โดยบุคคลที่สาม ตัวแทนขนส่งสินค้า จะต้องตรวจสอบข้อกำหนดพิเศษในด้านการบรรจุหีบห่อหรือการติดป้ายสินค้าในการเตรียมสินค้าที่จะขนส่ง ให้ปรึกษาผู้เชี่ยวชาญด้านวัตถุอันตราย โปรดตรวจสอบข้อกำหนดในประเทศที่อาจมีรายละเอียดอื่นๆ เพิ่มเติม ให้ติดเทปหรือปิดหน้าสัมผัสและห่อแบตเตอรี่ในลักษณะที่แบตเตอรี่จะไม่เคลื่อนที่ไปมาในหีบห่อ

11. เมื่อกำจัดตลับแบตเตอรี่ ให้ถอดตลับแบตเตอรี่ออกจากเครื่องมือและกำจัดในสถานที่ที่ปลอดภัย ปฏิบัติตามข้อบังคับในท้องถิ่นที่เกี่ยวกับการกำจัดแบตเตอรี่
12. ใช้แบตเตอรี่กับผลิตภัณฑ์ที่ระบุโดย Makita เท่านั้น การติดตั้งแบตเตอรี่ในผลิตภัณฑ์ที่ไม่ใช่ตามที่ระบุอาจทำให้เกิดไฟไหม้ ความร้อนสูง ระเบิด หรืออิเล็กโทรไลต์รั่วไหลได้
13. หากไม่ใช้เครื่องมือเป็นระยะเวลานาน จะต้องถอดแบตเตอรี่ออกจากเครื่องมือ
14. ในระหว่างและหลังการใช้งาน ตลับแบตเตอรี่อาจร้อนซึ่งอาจลวกผิวหรือทำให้ผิวไหม้ที่อุณหภูมิต่ำได้ โปรดระมัดระวังในการจัดการกับแบตเตอรี่ที่ร้อน
15. อย่าสัมผัสขั้วของเครื่องมือทันทีหลังจากการใช้งาน เนื่องจากอาจมีความร้อนพอที่จะทำให้ผิวไหม้ได้
16. อย่าปล่อยให้เศษวัสดุ ฟุ้งผง หรือดินเข้าไปติดอยู่ในขั้ว รู และร่องของตลับแบตเตอรี่ เนื่องจากอาจทำให้เครื่องมือหรือตลับแบตเตอรี่มีประสิทธิภาพลดลงหรือเสียหายได้
17. หากเครื่องมือไม่รองรับสายไฟแรงดันสูง อย่าใช้ตลับแบตเตอรี่ใกล้กับสายไฟแรงดันสูง เนื่องจากเครื่องมือหรือตลับแบตเตอรี่อาจทำงานผิดปกติหรือเสียหายได้
18. เก็บแบตเตอรี่ให้ห่างจากเด็ก

ปฏิบัติตามคำแนะนำเหล่านี้

⚠ ข้อควรระวัง: ใช้แบตเตอรี่ของแท้จาก Makita เท่านั้น การใช้แบตเตอรี่ Makita ที่ไม่แท้ หรือแบตเตอรี่ที่ถูกเปลี่ยน อาจทำให้แบตเตอรี่ระเบิด ก่อให้เกิดเพลิงลุกไหม้ การบาดเจ็บ และความเสียหายได้ และจะทำให้การรับประกันของ Makita สำหรับเครื่องมือและแท่นชาร์จของ Makita เป็นโมฆะด้วย

เคล็ดลับในการรักษาอายุการใช้งานของแบตเตอรี่ให้ยาวนานที่สุด

1. ชาร์จตลับแบตเตอรี่ก่อนที่ไฟจะหมด หยุดการใช้งานแล้วชาร์จประจุไฟฟ้าใหม่ทุกครั้งเมื่อคุณรู้สึกว่าอุปกรณ์มีกำลังลดลง
2. อย่าชาร์จตลับแบตเตอรี่ที่มีไฟเต็มแล้ว การชาร์จประจุไฟฟ้ามากเกินไปอาจจะทำให้อายุการใช้งานของตลับแบตเตอรี่สั้นลง
3. ชาร์จประจุไฟฟ้าตลับแบตเตอรี่ในห้องที่มีอุณหภูมิระหว่าง 10 °C - 40 °C ปล่อยให้ตลับแบตเตอรี่เย็นลงก่อนที่จะชาร์จไฟ
4. เมื่อไม่ใช้ตลับแบตเตอรี่ ให้ถอดออกจากเครื่องมือหรือเครื่องชาร์จ

คำอธิบายการทำงาน

⚠ ข้อควรระวัง: ตรวจสอบให้แน่ใจว่าได้ปิดสวิตช์เครื่องมือและถอดตลับแบตเตอรี่ออกก่อนปรับตั้งหรือตรวจสอบการทำงานของเครื่องมือ

การใช้เครื่องมือเป็นเครื่องตัดแต่งฟุ่มไม้/เครื่องเล็มหญ้าไร้สาย

สำหรับ UM600D เครื่องมือนี้สามารถใช้เป็นเครื่องตัดแต่งฟุ่มไม้ไร้สายได้โดยติดตั้งใบมีดตัดสำหรับเครื่องตัดแต่งฟุ่มไม้ (อุปกรณ์เสริม)

สำหรับ UH201D

เครื่องมือนี้สามารถใช้เป็นเครื่องเล็มหญ้าไร้สายได้โดยติดตั้งใบมีดตัดสำหรับเครื่องเล็มหญ้า (อุปกรณ์เสริม)

การใส่หรือการถอดด้ามแบตเตอรี่

⚠ ข้อควรระวัง: ปิดสวิตช์เครื่องมือก่อนทำการติดตั้งหรือการถอดด้ามแบตเตอรี่ทุกครั้ง

⚠ ข้อควรระวัง: ถือเครื่องมือและด้ามแบตเตอรี่ให้แน่นในระหว่างการติดตั้งหรือการถอดด้ามแบตเตอรี่ หากไม่ถือเครื่องมือและด้ามแบตเตอรี่ให้แน่น อาจทำให้ด้ามแบตเตอรี่และเครื่องมือลื่นหลุดมือ และทำให้เครื่องมือและด้ามแบตเตอรี่เสียหายหรือได้รับบาดเจ็บได้

▶ **หมายเลข 1:** 1. ชีลสีแดง 2. ปุ่ม 3. ด้ามแบตเตอรี่

เมื่อต้องการถอดด้ามแบตเตอรี่ ให้เลื่อนปุ่มที่ด้านหน้าของด้ามแล้วดึงออกจากเครื่องมือ

การติดตั้งด้ามแบตเตอรี่ ให้จัดตำแหน่งลิ้นของด้ามแบตเตอรี่ให้ตรงกับร่องของเครื่อง แล้วเลื่อนเข้าที่ โส้ดด้ามแบตเตอรี่เข้าจนสุดจนกระทั่งได้ยินเสียงคลิกล็อกเข้าที่ หากยังเห็นชีลสีแดงตามที่แสดงในภาพ แสดงว่าด้ามแบตเตอรี่ยังไม่ล็อกเข้าที่

⚠ ข้อควรระวัง: ให้หันด้ามแบตเตอรี่เข้าจนสุดจนไม่เห็นชีลสีแดงอีก ไม่เช่นนั้น ด้ามแบตเตอรี่อาจหลุดออกจากเครื่องมือทำให้คุณหรือคนรอบข้างได้รับบาดเจ็บ

⚠ ข้อควรระวัง: อย่าฝืนติดตั้งด้ามแบตเตอรี่โดยใช้แรงมากเกินไป หากด้ามแบตเตอรี่ไม่เลื่อนเข้าไปโดยง่าย แสดงว่าใส่ไม่ถูกต้อง

การระบุระดับพลังงานแบตเตอรี่ที่เหลืออยู่

สำหรับด้ามแบตเตอรี่ที่มีตัวแสดงสถานะเท่านั้น

▶ **หมายเลข 2:** 1. ไฟแสดงสถานะ 2. ปุ่มตรวจสอบ กดปุ่ม ตรวจสอบ บนด้ามแบตเตอรี่เพื่อดูปริมาณแบตเตอรี่ที่เหลือ ไฟแสดงสถานะจะสว่างขึ้นเป็นเวลาสองสามวินาที

ไฟแสดงสถานะ		แบตเตอรี่ที่เหลือ
ไฟสว่าง	ดับ	
		75% ถึง 100%
		50% ถึง 75%
		25% ถึง 50%
		0% ถึง 25%

หมายเหตุ: ขึ้นอยู่กับสภาพการใช้งานและอุณหภูมิ โดยรอบ การแสดงสถานะอาจแตกต่างจากปริมาณแบตเตอรี่จริงเล็กน้อย

ระบบป้องกันเครื่องมือ/แบตเตอรี่

เครื่องมือมีระบบป้องกันเครื่องมือ/แบตเตอรี่ ระบบนี้จะตัดไฟที่ส่งไปยังมอเตอร์โดยอัตโนมัติเพื่อยืดอายุการใช้งานเครื่องมือและแบตเตอรี่ เครื่องมือจะหยุดทำงานระหว่างการใช้งานโดยอัตโนมัติ หากเครื่องมือหรือแบตเตอรี่อยู่ภายใต้สถานการณ์ต่อไปนี้

การป้องกันโอเวอร์โหลด

เมื่อแบตเตอรี่ทำงานในรูปแบบที่อาจเจตปลังงานไฟฟ้าสูงเกินไป เครื่องมือจะหยุดโดยอัตโนมัติ ในกรณีนี้ ให้ปิดเครื่องมือและหยุดการใช้งานในลักษณะที่อาจทำให้เครื่องมือทำงานหนักเกินไป แล้วเปิดเครื่องมือเพื่อเริ่มทำงานอีกครั้ง

การป้องกันความร้อนสูงเกินไป

เมื่อเครื่องมือหรือแบตเตอรี่มีความร้อนสูงเกินไป เครื่องมือจะหยุดทำงานโดยอัตโนมัติและจะมีไฟกะพริบ ในกรณีนี้ ปล่อยให้เครื่องมือและแบตเตอรี่เย็นลงก่อนที่จะเปิดเครื่องมืออีกครั้ง

การป้องกันไฟหมด

เมื่อความจุแบตเตอรี่มีระดับพลังงานไม่เพียงพอ เครื่องมือจะหยุดโดยอัตโนมัติ หากคุณเปิดใช้เครื่องมือ มอเตอร์จะเริ่มทำงานอีกครั้ง แต่โอกาสที่จะหยุดทำงาน ในกรณีนี้ ให้ถอดแบตเตอรี่ออกจากเครื่องมือและนำแบตเตอรี่ไปชาร์จไฟ

การทำงานของสวิตช์

⚠ คำเตือน: ก่อนใส่ด้ามแบตเตอรี่ลงในเครื่องมือ ให้ตรวจสอบว่าสวิตช์สั่งงานสามารถทำงานได้อย่างถูกต้อง และกลับไปยังตำแหน่ง "ปิด" เมื่อปล่อย

⚠ คำเตือน: เพื่อความปลอดภัยของคุณ เครื่องมือนี้มีปุ่มปลดล็อกติดตั้งมาด้วยซึ่งจะช่วยป้องกันไม่ให้เครื่องมือสตาร์ทโดยไม่ได้ตั้งใจ ห้ามใช้เครื่องมือหากเครื่องมือสามารถทำงานได้เมื่อคุณดึงสวิตช์สั่งงานโดยไม่ได้กดปุ่มปลดล็อก สอบถามศูนย์บริการ Makita ในท้องถิ่นให้ทำการซ่อมแซมให้

⚠ คำเตือน: ห้ามปิดการทำงานแบบล็อกหรือติดเทปทับปุ่มปลดล็อก

ข้อสังเกต: อย่าดึงสวิตช์สั่งงานแรงๆ โดยไม่ได้กดปุ่มปลดล๊อค สวิตช์อาจแตกได้

► **หมายเลข 3:** 1. สวิตช์สั่งงาน 2. ปุ่มล๊อค

เพื่อป้องกันไม่ให้สวิตช์สั่งงานถูกกดโดยไม่ตั้งใจจึงมีปุ่มล๊อคติดตั้งไว้

เพื่อเริ่มใช้งานเครื่องมือ กดปุ่มปลดล๊อคแล้วดึงสวิตช์สั่งงาน ปลดสวิตช์สั่งงานเพื่อหยุดทำงาน ปุ่มปลดล๊อคสามารถกดจากทางขวาหรือซ้ายก็ได้

ไฟแสดงสถานะ

ไฟแสดงสถานะจะกะพริบหรือสว่างขึ้นเมื่อความจุแบตเตอรี่เหลือน้อยหรือหมด ไฟแสดงสถานะจะสว่างขึ้นเมื่อเครื่องมือทำงานหนักเกินไปด้วยเช่นกัน

► **หมายเลข 4:** 1. ไฟแสดงสถานะ

สถานะไฟและสิ่งที่ต้องดำเนินการ

ไฟแสดงสถานะ	สถานะ	สิ่งที่ต้องดำเนินการ
ไฟจะกะพริบเป็นสีแดง	พลังงานแบตเตอรี่เหลือน้อย	ชาร์จไฟแบตเตอรี่
ไฟจะสว่างเป็นสีแดง *	เครื่องมือหยุดเนื่องจากความจุแบตเตอรี่หมด	ชาร์จไฟแบตเตอรี่
	เครื่องมือหยุดเนื่องจากทำงานหนักเกินไป	ปิดเครื่องมือ

* จังหวะเวลาในการที่ไฟแสดงสถานะสว่างขึ้น จะขึ้นอยู่กับอุณหภูมิรอบพื้นที่ทำงานและสภาวะของคลังแบตเตอรี่

การปรับความสูงของการตัด (เพื่อการตัดหญ้า)

ข้อควรระวัง: เมื่อเปลี่ยนความสูงของการตัด ตรวจสอบให้แน่ใจว่าติดตั้งฝาครอบใบเลื่อยและระวังอย่าให้นิ้วมือเข้าไปติดระหว่างเครื่องมือและตะกร้าเก็บหญ้า

ความสูงของการตัดสามารถตั้งค่าได้สามระดับ (15 mm, 20 mm และ 25 mm) โดยเปลี่ยนตำแหน่งยึดของตะกร้าเก็บหญ้า ความสูงของการตัดโดยไม่มีตะกร้าเก็บหญ้าอยู่ที่ประมาณ 10 mm

1. เลื่อนตะกร้าเก็บหญ้าไปด้านหลังของเครื่องมือ

► **หมายเลข 5:** 1. ตะกร้าเก็บหญ้า

2. เปลี่ยนตำแหน่งยึดของตะกร้าเก็บหญ้าโดยขยับในทิศทางตามลูกศร

► **หมายเลข 6**

หมายเหตุ: ค่าความสูงของการตัดใช้สำหรับเป็นแนวทางเท่านั้น ความสูงของการตัดจริงอาจแตกต่างกันตามสภาพหญ้าหรือพื้น

หมายเหตุ: ลองทดสอบเล็มหญ้าในที่แจ้งเพื่อให้ได้ความสูงที่ต้องการ

การประกอบ

ข้อควรระวัง: ตรวจสอบให้แน่ใจว่าได้ปิดสวิตช์เครื่องมือและถอดคลังแบตเตอรี่ออกก่อนดำเนินการใดๆ กับเครื่องมือ

ข้อควรระวัง: เมื่อเปลี่ยนใบมีดตัด ให้สวมถุงมือเสมอและติดตั้งฝาครอบใบเลื่อยเพื่อให้มือและใบหน้าสัมผัสกับใบเลื่อยโดยตรง

ข้อสังเกต: เมื่อเปลี่ยนใบมีดตัด อย่าเข้ดจระบี้ออกจากเฟืองและข้อเหวี่ยง

การติดตั้งหรือการถอดฝาครอบใบเลื่อย

ข้อควรระวัง: ระวังอย่าแตะใบมีดขณะติดตั้งหรือถอดฝาครอบใบเลื่อย

เมื่อต้องการถอดฝาครอบใบเลื่อย ดึงฝาครอบเล็กน้อยแล้วเลื่อนไปด้านข้าง เมื่อต้องการติดตั้งฝาครอบใบเลื่อย ให้ปฏิบัติย้อนขั้นตอน

► **หมายเลข 7**

การติดตั้งหรือการถอดตะกร้าเก็บหญ้า

ข้อควรระวัง: เมื่อติดตั้งหรือถอดตะกร้าเก็บหญ้า ตรวจสอบให้แน่ใจว่าติดตั้งฝาครอบใบเลื่อยและระวังอย่าให้นิ้วมือเข้าไปติดระหว่างเครื่องมือและตะกร้าเก็บหญ้า

ถอดตะกร้าเก็บหญ้า

1. ปลดส่วนที่ยื่นออกมาของตะกร้าเก็บหญ้าจากร่องบนเครื่องมือขณะเลื่อนตะกร้าเก็บหญ้าไปทางด้านหน้าของเครื่องมือ

► **หมายเลข 8:** 1. ตะกร้าเก็บหญ้า

2. ปลดส่วนพับของตะกร้าเก็บหญ้าจากเครื่องมือการติดตั้งตะกร้าเก็บหญ้า

1. เกี่ยวบานพับของตะกร้าเข้ากับร่องของเครื่องมือ

► **หมายเลข 9:** 1. บานพับ 2. ตะกร้าเก็บหญ้า



2. จัดให้ส่วนที่ยื่นออกมาของตะกร้าเก็บหญ้าตรงกับร่องบนเครื่องมือโดยเลื่อนตะกร้าเก็บหญ้าไปทางด้านหน้าของเครื่องมือและขยับในทิศทางตามลูกศร
- ▶ หมายเลข 10

ข้อสังเกต: อย่าฝืนติดบานพับของตะกร้าเก็บหญ้าเข้ากับเครื่องมือหลังจากจัดให้ส่วนที่ยื่นออกมาของตะกร้าเก็บหญ้าตรงกับร่องบนเครื่องมือ

การติดตั้งหรือการถอดใบมีดตัดสำหรับเครื่องเล็มหญ้า

ข้อสังเกต: หากชิ้นส่วนอื่นๆ นอกจากใบเลื่อยตัด เช่น ข้อเหวี่ยงข่าชุด ให้สอบถามศูนย์บริการของ Makita เพื่อรับการเปลี่ยนหรือซ่อมแซม



การถอดใบมีดตัด



1. ถอดตะกร้าเก็บหญ้าและวางเครื่องมือหงายขึ้น
- ▶ หมายเลข 11
2. ขณะกดก้านล๊อค ให้หมุนฝาครอบด้านล่างทวนเข็มนาฬิกาจนกว่า  บนฝาครอบด้านล่างจะตรงกับ  บนก้านล๊อค
- ▶ หมายเลข 12
3. ถอดฝาครอบด้านล่าง ใบมีดตัด และข้อเหวี่ยง
- ▶ หมายเลข 13: 1. ฝาครอบด้านล่าง 2. ใบมีดตัด 3. ข้อเหวี่ยง

การติดตั้งใบมีดตัด

1. เตรียมข้อเหวี่ยง ฝาครอบด้านล่าง และใบมีดตัดใหม่
- ▶ หมายเลข 14: 1. ข้อเหวี่ยง 2. ฝาครอบด้านล่าง 3. ใบมีดตัด
2. ถอดฝาครอบใบเลื่อยออกจากใบมีดตัดเก่า แล้วจึงติดใบมีดใหม่
- ▶ หมายเลข 15
3. ปรับสลักสามอันให้ตรงกับเส้นแนวที่กำหนด
- ▶ หมายเลข 16: 1. เส้นแนวที่กำหนด
4. ทาจาระบีเล็กน้อยที่เส้นรอบวงภายในของข้อเหวี่ยง ติดตั้งข้อเหวี่ยงเข้ากับสลักโดยให้ส่วนวงกลมขนาดเล็กและขนาดใหญ่หงายขึ้น
- ▶ หมายเลข 17: 1. ข้อเหวี่ยง
5. ปรับใบเลื่อยและแผ่นฐานโดยให้รูบนแผ่นฐานและส่วนที่ยื่นออกมาสองส่วนบนใบเลื่อยตรงกับ
- ▶ หมายเลข 18

6. พลิกใบมีดตัดหงายขึ้นและติดตั้งโดยให้สลักบนเครื่องมืออยู่ระหว่างรูบนแผ่นฐาน ตรวจสอบให้แน่ใจว่าใบมีดตัดถูกยึดแน่นอยู่กับที่
- ▶ หมายเลข 19

7. วางฝาครอบด้านล่างโดยให้  บนฝาครอบด้านล่างตรงกับ  บนก้านล๊อค
- ▶ หมายเลข 20

8. ขณะกดฝาครอบด้านล่าง ให้หมุนฝาครอบด้านล่างตามเข็มนาฬิกาจนกว่า  บนฝาครอบด้านล่างจะตรงกับ  บนก้านล๊อค
- ▶ หมายเลข 21

9. ตรวจสอบว่าก้านล๊อคพอดีกับร่องบนฝาครอบด้านล่าง
- ▶ หมายเลข 22: 1. ก้านล๊อค

⚠ ข้อควรระวัง: ห้ามใช้เครื่องมือโดยไม่ติดตั้งฝาครอบด้านล่าง

10. ถอดฝาครอบใบเลื่อยแล้วเปิดใช้งานเครื่องมือเพื่อตรวจสอบว่าทำงานได้อย่างถูกต้อง



ข้อสังเกต: หากใบมีดตัดมีการทำงานที่ไม่ถูกต้อง แสดงว่าใบมีดไม่ได้ติดอยู่กับข้อเหวี่ยงอย่างถูกต้อง ถอดใบมีดและติดตั้งใหม่อีกครั้ง

การติดตั้งหรือการถอดใบมีดตัดสำหรับเครื่องตัดแต่งพุ่มไม้

⚠ ข้อควรระวัง: ติดตั้งฝาครอบใบเลื่อยก่อนถอดหรือติดตั้งใบมีดตัด

ข้อสังเกต: หากชิ้นส่วนอื่นๆ นอกจากใบเลื่อยตัด เช่น ข้อเหวี่ยงข่าชุด ให้สอบถามศูนย์บริการของ Makita เพื่อรับการเปลี่ยนหรือซ่อมแซม

การถอดใบมีดตัด

1. หงายเครื่องมือขึ้น
- ▶ หมายเลข 23
2. ขณะกดก้านล๊อค ให้หมุนฝาครอบด้านล่างทวนเข็มนาฬิกาจนกว่า  บนฝาครอบด้านล่างจะตรงกับ  บนก้านล๊อค
- ▶ หมายเลข 24
3. ถอดฝาครอบด้านล่างออก
- ▶ หมายเลข 25
4. คลายสกรูสองตัวด้วยไขควงและถอดใบมีดตัดออก
- ▶ หมายเลข 26: 1. สกรู

หมายเหตุ: ไบมีดตัดสามารถถอดได้โดยไม่ต้องถอดสกรูออก

5. ถอดข้อเหวี่ยงออกจากไบมีดตัด

▶ **หมายเลข 27:** 1. ข้อเหวี่ยง

หมายเหตุ: ข้อเหวี่ยงอาจอยู่ในเครื่องมือ

ติดตั้งฟลาคอบใบเลื่อยและกล่องเก็บอุปกรณ์เข้ากับไบมีดตัดที่ถอดออกมา แล้วจึงเก็บใบเลื่อย

การติดตั้งไบมีดตัด

1. เตรียมข้อเหวี่ยง ฟลาคอบด้านล่าง และไบมีดตัดใหม่

▶ **หมายเลข 28:** 1. ข้อเหวี่ยง 2. ฟลาคอบด้านล่าง
3. ไบมีดตัด

2. ติดฟลาคอบใบเลื่อยเข้ากับไบมีดตัด

▶ **หมายเลข 29**

3. ปรับสลักสามอันให้ตรงกับเส้นแนวที่กำหนด

▶ **หมายเลข 30:** 1. เส้นแนวที่กำหนด

4. ทาจาระบีเล็กน้อยที่เส้นรอบวงภายในของข้อเหวี่ยง ติดตั้งข้อเหวี่ยงเข้ากับสลักโดยให้ส่วนวงกลมขนาดเล็กและขนาดใหญ่คว่ำลง

▶ **หมายเลข 31:** 1. ข้อเหวี่ยง

5. เลื่อนไบมีดตัดโดยให้รูบนแผ่นฐานอยู่ที่จุดกึ่งกลางของวงแหวนของใบเลื่อย

▶ **หมายเลข 32**

6. พลิกไบมีดตัดหงายขึ้นและติดตั้งโดยให้สลักบนเครื่องมืออยู่ระหว่างรูบนไบมีดตัด สอดเขี้ยวของแผ่นฐานเข้าไปในร่องของเครื่องมือ ตรวจสอบให้แน่ใจว่าไบมีดตัดถูกยึดแน่นอยู่กับที่

▶ **หมายเลข 33:** 1. เขี้ยว

7. ขันสกรูสองตัวให้แน่นด้วยไขควง

▶ **หมายเลข 34:** 1. สกรู

8. วางฟลาคอบด้านล่างโดยให้ \square บนฟลาคอบด้านล่างตรงกับ \triangle บนก้านล้อ

▶ **หมายเลข 35**

9. ขณะกดฟลาคอบด้านล่าง ให้หมุนตามเข็มนาฬิกาจนกว่า \square บนฟลาคอบด้านล่างจะตรงกับ \triangle บนก้านล้อ

▶ **หมายเลข 36**

10. ตรวจสอบว่าก้านล้อพอดีกับร่องบนฟลาคอบด้านล่าง

▶ **หมายเลข 37:** 1. ก้านล้อ

⚠ ข้อควรระวัง: ห้ามใช้เครื่องมือโดยไม่ติดตั้งฟลาคอบด้านล่าง

11. ถอดฟลาคอบใบเลื่อยแล้วเปิดใช้งานเครื่องมือเพื่อตรวจสอบว่าทำงานได้อย่างถูกต้อง

ข้อสังเกต: หากไบมีดตัดมีการทำงานที่ไม่ถูกต้อง แสดงว่าไบมีดไม่ได้ติดอยู่กับข้อเหวี่ยงอย่างถูกต้อง ถอดไบมีดและติดตั้งใหม่อีกครั้ง

การติดตั้งหรือการถอดที่รับเศษใบไม้

อุปกรณ์เสริม

⚠ ข้อควรระวัง: เมื่อติดตั้งหรือถอดที่รับเศษใบไม้ ให้สวมถุงมือเสมอและติดตั้งฟลาคอบใบเลื่อยเพื่อให้มือและใบหน้าไม้สัมผัสกับใบเลื่อยโดยตรง

ที่รับเศษใบไม้จะเก็บใบไม้ที่ถูกทั้งออกมาและทำให้การเก็บกวาดในภายหลังทำได้ง่ายขึ้น ซึ่งสามารถติดตั้งไว้ที่ด้านใดด้านหนึ่งของเครื่องมือ

หากต้องการติดตั้งที่รับเศษใบไม้ ให้กดที่รับเศษใบไม้เข้ากับไบมีดตัดโดยให้ตะขอพอดีกับรูของไบมีดตัด

▶ **หมายเลข 38:** 1. ตะขอ 2. รู

หากต้องการถอดที่รับเศษใบไม้ออก ให้กดก้านทั้งสองด้านเพื่อปล่อยตะขอ

▶ **หมายเลข 39:** 1. ก้าน

ข้อสังเกต: อย่าพยายามถอดที่รับเศษใบไม้ด้วยการฝืนใช้แรงโดยที่ตะขอยังล็อกอยู่กับรูของไบมีด

การใช้งาน

⚠ คำเตือน: ก่อนเริ่มหญ้า ให้กำจัดแท่งไม้และหินออกจากพื้นที่เริ่มหญ้า นอกจากนั้น ให้กำจัดวัชพืชจากพื้นที่เริ่มหญ้าง่อน

▶ **หมายเลข 40**

⚠ คำเตือน: ระวังอย่าให้มีสัมผัสกับใบเลื่อย

⚠ ข้อควรระวัง: หลีกเลี่ยงการใช้งานเครื่องมือในสภาพอากาศที่ร้อนจัดเท่าที่สามารถทำได้ ขณะใช้งานเครื่องมือ ให้ระวังสภาพทางกายภาพ

การเล็ม (สำหรับเครื่องเล็มหญ้า)

เปิดเครื่องมือหลังจากปรับความสูงของการตัดและถือเครื่องมือโดยให้ส่วนล่างของเครื่องมือวางอยู่บนพื้น ค่อยๆ เลื่อนเครื่องมือไปข้างหน้า

▶ หมายเลข 41

ขณะตัดแต่งขอบทางเดิน รั้ว หรือต้นไม้ ให้ขยับเครื่องมือตาม รั้ววงไม้ให้ใบเลื่อยสัมผัสสิ่งดังกล่าว

▶ หมายเลข 42

ขณะตัดแต่งต้นอ่อนหรือข้อใบไม้ของต้นไม้ขนาดเล็ก ให้ตัดแต่งที่ละน้อย

▶ หมายเลข 43

ตัดแต่งกิ่งไม้ขนาดใหญ่ตามความสูงที่ต้องการโดยใช้เครื่องตัดกิ่งไม้ก่อนใช้เครื่องมือนี้

ข้อสังเกต: อย่าใช้เครื่องมือในลักษณะที่ทำให้มอเตอร์หยุดหรือหมุนช้ามาก

ข้อสังเกต: อย่าพยายามตัดกิ่งไม้หนาๆ

ข้อสังเกต: อย่าให้ใบมีดตัดสัมผัสกับพื้นระหว่างทำงาน ใบเลื่อยจะทื่อทำให้ตัดได้ไม่ดี

ข้อสังเกต: อย่าตัดแต่งหญ้าหรือข้อใบไม้ของต้นไม้ขนาดเล็กที่เปียกแฉะ

การตัดหญ้ายาว

อย่าพยายามตัดหญ้ายาวให้หมดภายในครั้งเดียว แต่ควรตัดหญ้าหลายๆ ครั้งแทน เว้นระยะเวลาไว้หนึ่งหรือสองวันระหว่างการตัดแต่ละครั้งจนกว่าสนามหญ้าจะสั้นเท่ากัน

▶ หมายเลข 44

หมายเหตุ: การตัดหญ้ายาวให้สั้นทั้งหมดภายในครั้งเดียวอาจทำให้หญ้าตายได้

การตัดแต่ง (สำหรับเครื่องตัดแต่งพุ่มไม้)

ข้อควรระวัง: ระวังอย่าสัมผัสกับหัวเหล็กหรือของแข็งอื่นๆ โดยบังเอิญขณะทำการตัดแต่ง ใบเลื่อยจะหักและอาจทำให้เกิดการบาดเจ็บได้

ข้อควรระวัง: ระวังอย่าให้ใบมีดตัดสัมผัสกับพื้น เครื่องมืออาจถอยกลับและอาจทำให้เกิดการบาดเจ็บได้

ข้อควรระวัง: การเอื้อมตัดด้วยเครื่องตัดแต่งพุ่มไม้ โดยเฉพาะการเอื้อมจากบันไดถือเป็นกิจกรรมที่ทำอันตรายมาก อย่าทำงานขณะยืนอยู่บนสิ่งที่โยกเยกไปมาได้หรือไม่มั่นคง

ข้อสังเกต: อย่าพยายามตัดกิ่งไม้ที่มีความหนาของเส้นผ่านศูนย์กลางมากกว่า 10 mm โดยใช้เครื่องมือนี้ ตัดกิ่งไม้ให้มีความสูงในการตัดต่ำกว่า 10 cm โดยใช้เครื่องตัดกิ่งไม้ก่อนใช้เครื่องมือนี้

▶ หมายเลข 45: (1) ความสูงในการตัด (2) 10 cm

ข้อสังเกต: อย่าตัดต้นไม้ที่ตายแล้วหรือของแข็งอื่นๆ ที่คล้ายกัน การทำเช่นนั้นอาจทำให้เครื่องมือเสียหายได้

ข้อสังเกต: อย่าตัดแต่งหญ้าหรือวัชพืชรอบๆ ใช้ใบมีดตัดใบเลื่อยอาจพันอยู่กับหญ้าหรือวัชพืช

ถือเครื่องมือด้วยมือข้างเดียว ดึงสวิตช์สั่งงานขณะกดปุ่มปลดล็อก แล้วจึงขยับเครื่องมือไปข้างหน้า

▶ หมายเลข 46

วิธีการใช้งานพื้นฐาน ให้เอียงใบเลื่อยตามทิศทางการตัดแต่งและขยับเครื่องอย่างหนึ่งๆ และซ้ำๆ ด้วยอัตราความเร็ว 3 ถึง 4 วินาทีต่อเมตร

▶ หมายเลข 47

การผูกเชือกตามความสูงที่ต้องการและตัดแต่งตามแนวเชือกจะช่วยให้สามารถตัดพุ่มไม้ได้สูงเท่ากัน

▶ หมายเลข 48

หากที่รับเศษใบไม้ติดตั้งอยู่กับใบเลื่อยจะช่วยเก็บใบไม้ที่ถูกทิ้งออกมาและทำให้การเก็บกวาดในภายหลังทำได้ง่ายขึ้น หากต้องการตัดด้านข้างของพุ่มไม้ให้เสมอกัน ควรตัดจากส่วนล่างขึ้นบน

▶ หมายเลข 49

ขณะตัดแต่งเพื่อทำให้เป็นทรงกลม (การตัดแต่งต้นบ็อกซ์วูดหรือกุหลาบพันธุ์และอื่นๆ) ให้ตัดจากรากขึ้นไปถึงยอดจะทำให้ดูสวยงาม

▶ หมายเลข 50

การบำรุงรักษา

ข้อควรระวัง: ตรวจสอบให้แน่ใจว่าได้ปิดสวิตช์เครื่องมือและถอดปลั๊กแบตเตอรี่ออกก่อนทำการตรวจสอบหรือบำรุงรักษา

เพื่อความปลอดภัยและนำเชื้อถือของผลิตภัณฑ์ ควรให้ศูนย์บริการหรือโรงงานที่ผ่านการรับรองจาก Makita เป็นผู้ดำเนินการซ่อมแซม บำรุงรักษาและทำการปรับตั้งอื่นๆ นอกจากนี้ให้ใช้อะไหล่ของแท้จาก Makita เสมอ

การทำความปลอดภัยเครื่องมือ

ทำความปลอดภัยเครื่องมือโดยเช็ดฝุ่นออกด้วยผ้าแห้งหรือผ้าชุบน้ำสบู่อุดหมาด

ข้อสังเกต: อย่าใช้น้ำมันเชื้อเพลิง เบนซิน ทินเนอร์ แอลกอฮอล์ หรือวัสดุประเภทเดียวกัน เนื่องจากอาจทำให้สีซีดจาง เสียรูป หรือแตกร้าวได้

การบำรุงรักษาใบเลื่อย

ก่อนการใช้งานหรือทุกชั่วโมงในระหว่างการใช้งาน ให้นำน้ำมันความหนืดต่ำ (น้ำมันเครื่องหรือน้ำมันหล่อลื่นแบบสเปร์รี่) ที่ใบเลื่อย

▶ หมายเลข 51

▶ หมายเลข 52

หลังการใช้งาน ให้ขจัดฝุ่นออกจากใบเลื่อยทั้งสองด้าน ด้วยแปรงลวด เช็ดออกด้วยผ้าแล้วทาน้ำมันความหนืดต่ำ (น้ำมันเครื่องหรือน้ำมันหล่อลื่นแบบสเปร์รี่) ที่ใบเลื่อย

▶ หมายเลข 53

▶ หมายเลข 54

ข้อสังเกต: อยาล้างใบเลื่อยในน้ำ การทำเช่นนั้นอาจทำให้เครื่องมือเกิดสนิมหรือเสียหายได้

ข้อสังเกต: สิ่งสกปรกและการสึกกร่อนจะทำให้ใบเลื่อยมีแรงเสียดทานมากเกินไปและทำให้อายุการใช้งานต่อการใช้งานแบตเตอรี่แต่ละครั้งสั้นลง

การเก็บรักษา

รูตะขอตรงส่วนล่างของเครื่องมือใช้สำหรับแขวนเครื่องมือกับตะปูหรือสกรูบนกำแพง

ติดฝาครอบเข้ากับมิดดัดเพื่อให้ใบเลื่อยมีสิ่งห่อหุ้ม เก็บเครื่องมือโดยให้ห่างจากมือเด็ก เก็บเครื่องมือในที่ที่ไม่ถูกความชื้นหรือฝน

▶ หมายเลข 55: 1. รู

▶ หมายเลข 56: 1. รู

อุปกรณ์เสริม

⚠ ข้อควรระวัง: ขอแนะนำให้ใช้เฉพาะอุปกรณ์เสริมหรืออุปกรณ์ต่อพ่วงเหล่านี้กับเครื่องมือ Makita ที่ระบุในคู่มือการใช้งานใช้อุปกรณ์เสริมหรืออุปกรณ์ต่อพ่วงอื่นๆ อาจมีความเสี่ยงที่จะได้รับบาดเจ็บ ใช้อุปกรณ์เสริมหรืออุปกรณ์ต่อพ่วงตามวัตถุประสงค์ที่ระบุไว้เท่านั้น

หากต้องการทราบรายละเอียดเพิ่มเติมเกี่ยวกับอุปกรณ์เสริมเหล่านี้ โปรดสอบถามศูนย์บริการ Makita ใกล้บ้านคุณ

- ชุดใบเลื่อย (สำหรับการใช้งานเครื่องเล็มหญ้า)
- ฝาครอบใบเลื่อย (สำหรับการใช้งานเครื่องเล็มหญ้า)
- ตะกร้าเก็บหญ้า (สำหรับการใช้งานเครื่องเล็มหญ้า)
- อุปกรณ์มือจับยาว (สำหรับการใช้งานเครื่องเล็มหญ้า)
- ชุดใบเลื่อย (สำหรับการใช้งานเครื่องตัดแต่งพุ่มไม้)
- ฝาครอบใบเลื่อย (สำหรับการใช้งานเครื่องตัดแต่งพุ่มไม้)
- ที่รับเศษใบไม้ (สำหรับการใช้งานเครื่องตัดแต่งพุ่มไม้)
- ที่เก็บ
- แบตเตอรี่และเครื่องชาร์จ Makita ของแท้

หมายเหตุ: อุปกรณ์บางรายการอาจรวมอยู่ในชุดเครื่องมือเป็นอุปกรณ์มาตรฐาน ซึ่งอาจแตกต่างกันไปในแต่ละประเทศ

Makita Corporation

3-11-8, Sumiyoshi-cho,

Anjo, Aichi 446-8502 Japan

www.makita.com

885549D376
EN, ZHCH, ID,
VI, TH
20210302