



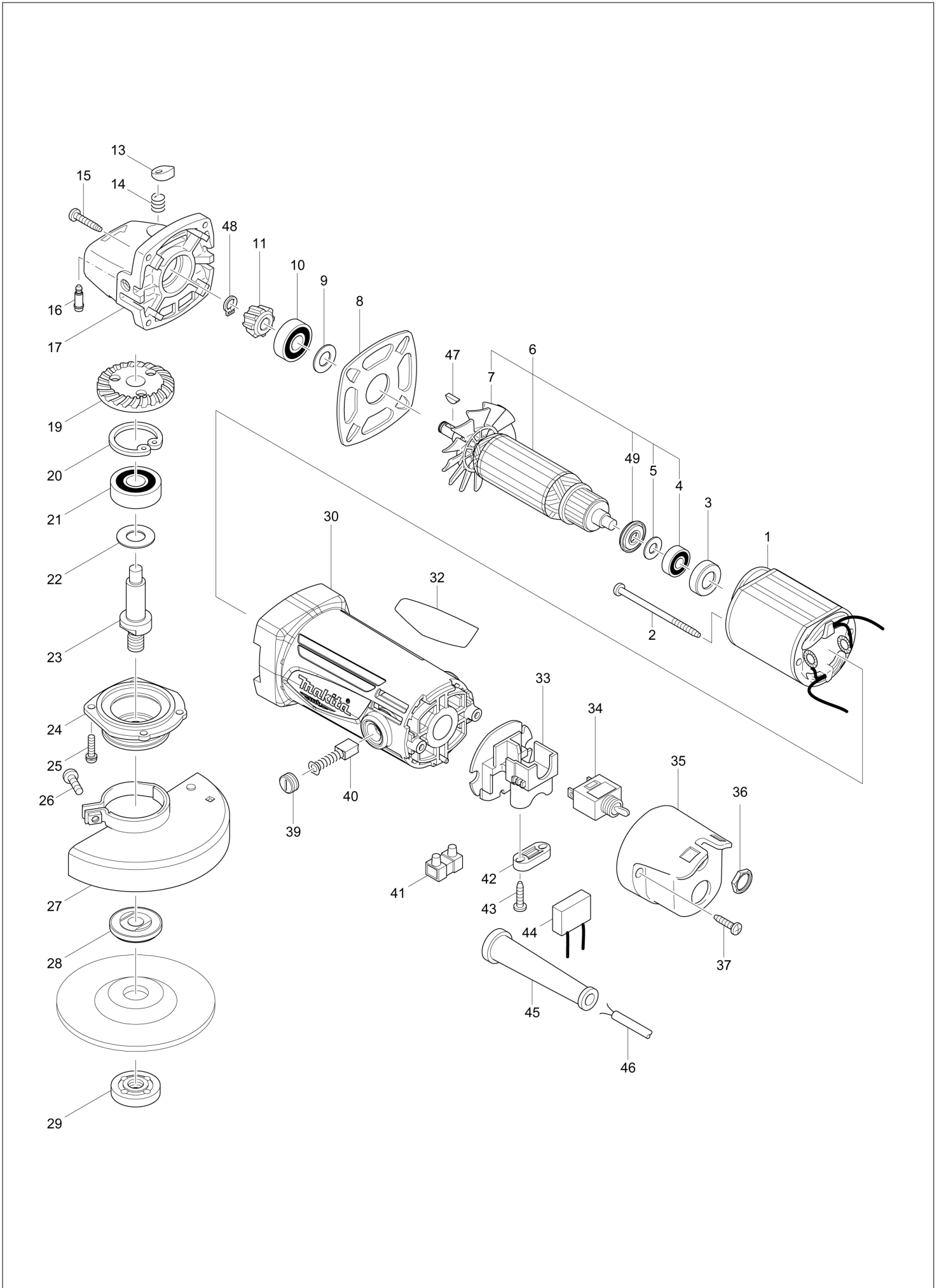
VN	VIETNAM
----	---------

# Diagram / Parts List

**M9504**

**100MM ANGLE GRINDER**

# (VN) M9504 / 100MM ANGLE GRINDER



<b>VN</b>	<b>VIETNAM</b>
-----------	----------------

### M9504 / 100MM ANGLE GRINDER

Item	Sub	Parts No.	Parts Description	Qty	I/C	E/C No.	Close No.	Remark
001		593523-0	FIELD ASS'Y 220-240V	1				
	C11	654450-7	RING TERMINAL	2				
	C20	654501-6	CONNECTOR P-1.25	2				
002-1		265657-6	TAPPING SCREW 4X70	2				
003		421808-3	RUBBER RING 19	1				
004		211021-9	BALL BEARING 607LLB	1			D9030	
004-1		210062-2	BALL BEARING 607ZZ	1	O	D9030		
005		267245-5	FLAT WASHER 7	1				
006		510104-5	ARMATURE ASS'Y 220V	1			D9030	
	D10		INC. 4,5,7,49				D9030	
006-1		517438-7	ARMATURE ASS'Y 220V	1	O	D9030		
	D10		INC. 4,5,7,49			D9030		
007		240050-5	FAN 60	1				
008		285704-7	BEARING RETAINER 69	1				
009		267256-0	FLAT WASHER 10	1				
010		211062-5	BALL BEARING 6000ZZ	1			D9030	
010-1		210067-2	BALL BEARING 6000ZZ	1	O	D9030		
011		227448-3	SPIRAL BEVEL GEAR 14	1			DB599	
011-1		221573-2	SPIRAL BEVEL GEAR 14	1	S	DB599		
013		417771-6	PIN CAP	1				
014		233376-2	COMPRESSION SPRING 8	1				
015-1		265651-8	TAPPING SCREW 4X22	4				
016		256486-8	SHOULDER PIN 4	1				
017		153423-2	GEAR HOUSING COMPLETE	1				
	C10	213445-5	O-RING 26	1				
	C20	212953-3	NEEDLE BEARING 810	1				
019		227449-1	SPIRAL BEVEL GEAR 35	1			DB599	
019-1		221574-0	SPIRAL BEVEL GEAR 35	1	S	DB599		
020		962151-6	RETAINING RING R-32	1				
021		211129-9	BALL BEARING 6201DDW	1				
022		267238-2	FLAT WASHER 12	1				
023		324312-0	SPINDLE	1				
024		317534-9	BEARING BOX	1				
025		265100-5	PAN HEAD SCREW M4X16	4				
026		265103-9	PAN HEAD SCREW M5X14	1				
027		125266-2	WHEEL COVER 100 ASSEMBLY	1				
	D10		INC. 26					
028		224314-5	INNER FLANGE 30	1				
029		224559-5	LOCK NUT 10-30	1				
030		141D28-4	MOTOR HOUSING COMPLETE	1				
	C10	643455-2	BRUSH HOLDER 6X9	2				
032		852D21-0	M9504 NAME PLATE	1				
033		455594-4	SUPPORT	1				
034		651424-9	SWITCH STL106AT	1				
035		417769-3	REAR COVER	1				
036		652113-9	HEX. NUT M12-16	1				
037-1		265652-6	TAPPING SCREW 4X18	2				
038		809D71-6	CLEAR LABEL	1				
039		643987-9	BRUSH HOLDER CAP 5-8	2				
040		B-80391	CARBON BRUSH SET CB-411A	1				
041		654532-5	TERMINAL BLOCK 1P	1				
042		687124-5	STRAIN RELIEF	1				
043-1		265652-6	TAPPING SCREW 4X18	2				
045		682569-2	CORD GUARD 8-85	1				
046		691284-7	POWER SUPPLY CORD 0.75-2-2.0	1				
047		254002-0	WOODRUFF KEY 3	1				
048		961003-8	RETAINING RING S-7	1				
049		681661-1	INSULATION WASHER	1				
A01		782420-7	LOCK NUT WRENCH 20	1				

Interchange  
O : Yes  
X : No  
< : the new part can be substituted for the current.  
> : the current part can be substituted for the new.  
S : Interchangeable as a set.