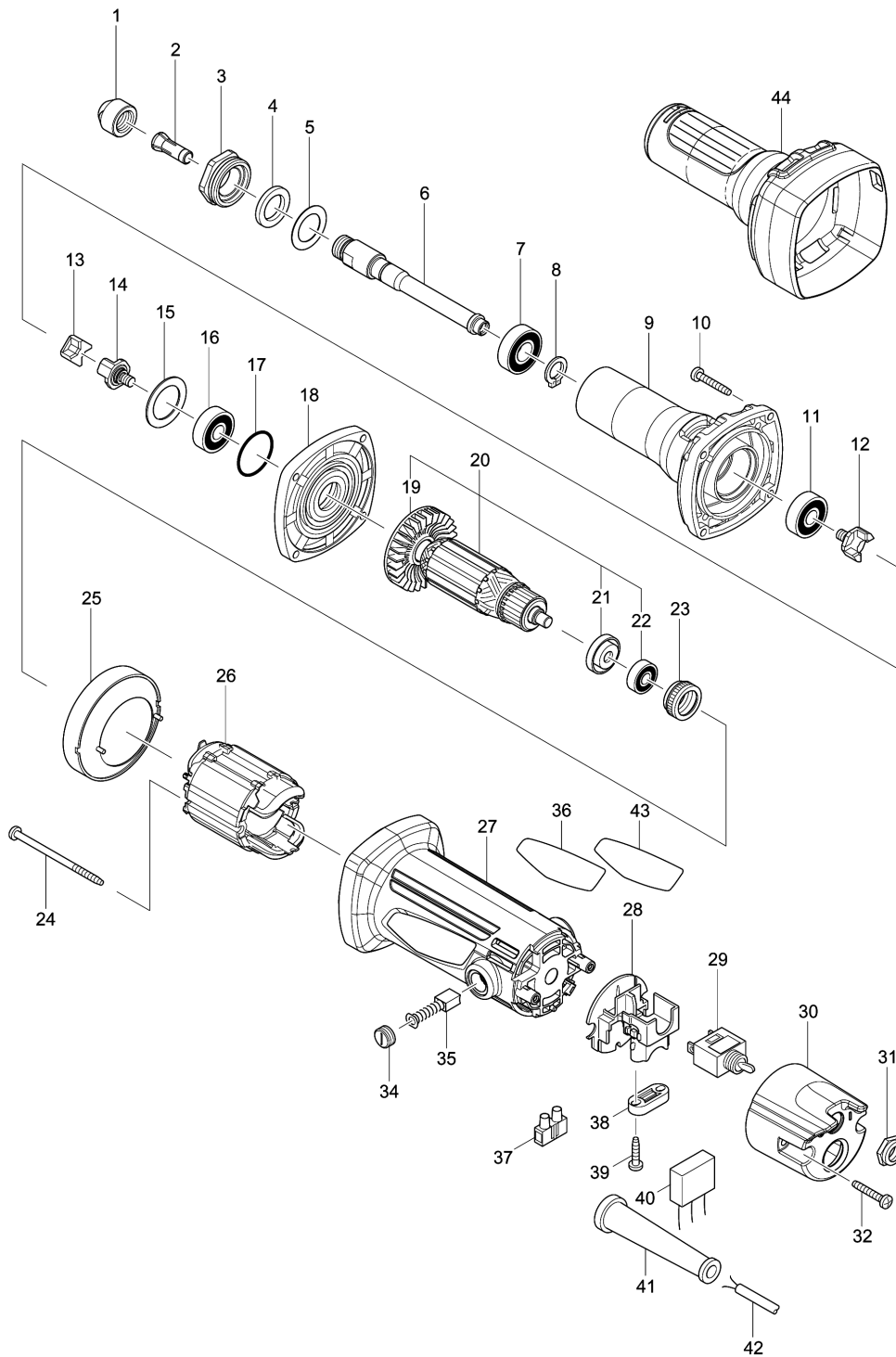


# Model No.M9100 DIE GRINDER





## Model No.M9100 DIE GRINDER

Item	Parts No.	Description	I/C	Qty	New/Old	Sales	Purch.	Note
001	763664-8	COLLET NUT 6		1				
002	763665-6	COLLET CONE 6.0		1				
003	317999-5	BEARING RETAINER		1				
004	443124-3	FELT RING 17		1				
005	267329-9	FLAT WASHER 18		1				
006	324638-0	SPINDLE		1				
007	210107-6	BALL BEARING 6001ZZ		1				
008	961052-5	RETAINING RING (EXT) S-12		1				
009	318000-9	BARREL		1				
010	266374-1	TAPPING SCREW 4X25		4				
011	210063-0	BALL BEARING 629ZZ		1				
012	324639-8	COUPLING		1				
013	421942-9	SPACER		1				
014	324639-8	COUPLING		1				
015	267126-3	FLAT WASHER 22		1				
016	210063-0	BALL BEARING 629ZZ		1				
017	213445-5	O-RING 26		1				
018	317798-5	GEAR HOUSING COVER		1				
019	240076-7	FAN 56		1				
020	510213-0	ARMATURE ASS'Y 220V		1				
D10		INC. 19,21,22						
021	681672-6	INSULATION WASHER		1				
022	210062-2	BALL BEARING 607ZZ		1				
023	421868-5	LABYRINTH RUBBER RING 19		1	*			
023-1	422768-2	LABYRINTH RUBBER RING19	<	1				
024	266325-4	TAPPING SCREW 4X70		2				
025	418664-0	BAFFLE PLATE		1				
026	595093-5	FIELD ASS'Y 220V		1				
C11	654450-7	RING TERMINAL		2				
C21	654485-8	PARALLEL SPLICE		2				
027	143592-7	MOTOR HOUSING COMPLETE		1				
C12	643858-0	BRUSH HOLDER 6X9		2				
028	419227-5	SUPPORT		1				
029	651424-9	SWITCH STL106AT		1				
030	453945-5	REAR COVER		1				
031	652113-9	HEX. NUT M12-16		1				
032	266374-1	TAPPING SCREW 4X25		2				
034	643987-9	BRUSH HOLDER CAP 5-8		2				
035	B-80391	CARBON BRUSH SET CB-411A		1				
036	852C97-1	M9100 NAME PLATE		1				
037	654532-5	TERMINAL BLOCK 1P		1				
038	687124-5	STRAIN RELIEF		1				

Please order the parts with part number.

Print Date 30/5/2023

## Model No.M9100 DIE GRINDER

Item	Parts No.	Description	I/C	Qty	New/Old	Sales	Purch.	Note
039	266326-2	TAPPING SCREW 4X18		2				
041	682569-2	CORD GUARD 8-85		1				
042	691284-7	POWER SUPPLY CORD 0.75- 2-2.0		1				
043	800J16-3	CLEAR LABEL		1				
044	454554-3	COVER		1				
A01	781039-9	WRENCH 13		2				

Please order the parts with part number.

Print Date 30/5/2023

