



VN	VIETNAM
----	---------

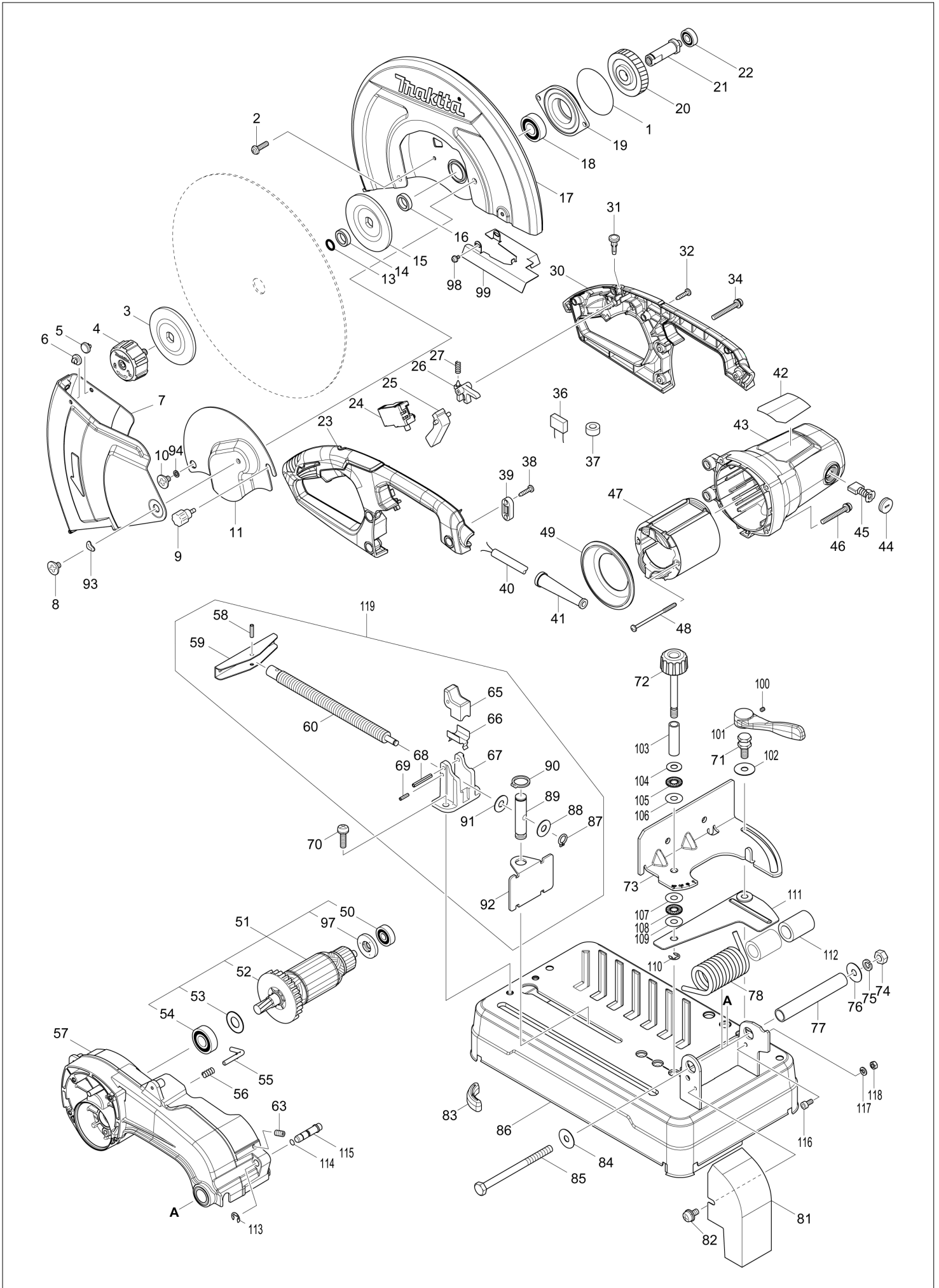
Diagram / Parts List

LW1400

355MM PORTABLE CUT-OFF



(VN) LW1400 / 355MM PORTABLE CUT-OFF



VN	VIETNAM
-----------	----------------

LW1400 / 355MM PORTABLE CUT-OFF

Item	Sub	Parts No.	Parts Description	Qty	I/C	E/C No.	Close No.	Remark
001		213858-0	O-RING 65	1				
002		265122-5	PAN HEAD SCREW M5X20	4				
003		224299-5	FLANGE 90	1				
004		123478-1	TOOLLESSBOLT ASSEMBLY	1				
005		418142-0	PLUG	1		C3699		
006		418142-0	PLUG	1		C3699		
007		161401-8	SAFETY GUIDE	1		C3699		
008		265121-7	+ FLAT HEAD SCREW M6	1				
009		251488-9	THUMB SCREW M6X12	1		C5407		
010		265121-7	+ FLAT HEAD SCREW M6	1		C5407		
011		347095-5	CENTER COVER	1		C5407		
012		265754-8	THUMB SCREW M6X12	1			C3699	
013		213180-5	O RING 14	1				
014		257255-0	RING 17	1				
015		224299-5	FLANGE 90	1				
016		257255-0	RING 17	1				
017		161400-0	SAFETY COVER	1				
018		211282-1	BALL BEARING 6203ZZ	1				
019		319393-7	BEARING BOX	1			Y07850	
019-1		136029-1	BEARING BOX ASSY	1	<	Y07850		
	D10		INC. 1					
020		227811-0	HELICAL GEAR 50	1				
021		324321-9	SPINDLE	1				
022		210067-2	BALL BEARING 6000ZZ	1			C7958	
022-1		210199-5	BALL BEARING 6000ZZ	1	O	C7958		
023		183C14-3	HANDLE SET	1				
	D10		INC. 30					
024		650716-3	SWITCH TGC31B	1				
025		418141-2	SWITCH LEVER	1				
026		418139-9	SWITCH LOCK	1				
027		231397-8	COMPRESSION SPRING 4	1				
030		183C14-3	HANDLE SET	1				
	D10		INC. 23					
031		411478-6	SWITCH BUTTON	1			B5006	
031-1		417113-4	SWITCH BUTTON	1	<	B5006		
032		266326-2	TAPPING SCREW 4X18	4				
034		265104-7	PAN HEAD SCREW M5X40	3				
038		266326-2	TAPPING SCREW 4X18	2				
039		687140-7	STRAIN RELIEF	1				
040		691237-6	POWER SUPPLY CORD 1.25-2-3.0	1				
041		682574-9	CORD GUARD 10-90	1				
042		851S34-8	LW1400 NAME PLATE	1				
043		143463-8	MOTOR HOUSING COMPLETE	1				
	C10	643712-8	BRUSH HOLDER	2				
044		643700-5	BRUSH HOLDER CAP 7-18	2				
045		B-80341	CARBON BRUSH SET CB-203A	1				
046		265104-7	PAN HEAD SCREW M5X40	4				
047		593908-0	FIELD ASS'Y 220V	1				
	C10	654197-3	RING TERMINAL	2				
	C20	654502-4	CONNECTOR P-2	2				
048		265A13-6	TAPPING SCREW 5X85	2				
049		418143-8	BAFFLE PLATE	1				
050		210070-3	BALL BEARING 6200ZZ	1				
051		513463-6	ARMATURE ASS'Y 220-240V	1				
	D10		INC. 50,52-54,97					
052		240164-0	FAN 80	1				
053		267714-6	WASHER 15	1				
054		211240-7	BALL BEARING 6202ZZ	1				
055		324322-7	STOPPER	1				
056		233372-0	COMPRESSION SPRING 7	1				
057		143464-6	GEAR HOUSING COMPLETE	1			B2830	
	C10	263029-9	RUBBER PIN 6	1			B2830	
057-1		143464-6	GEAR HOUSING COMPLETE	1	S	B2830	C3995	
	C10	263029-9	RUBBER PIN 6	1		B2830	C3995	
057-2		140G83-1	GEAR HOUSING COMPLETE	1	<	C3995	C5969	

Interchange
O : Yes
X : No
< : the new part can be substituted for the current.
> : the current part can be substituted for the new.
S : Interchangeable as a set.

VN	VIETNAM
-----------	----------------

LW1400 / 355MM PORTABLE CUT-OFF

Item	Sub	Parts No.	Parts Description	Qty	I/C	E/C No.	Close No.	Remark
	C10	263029-9	RUBBER PIN 6	1		C3995	C5969	
057-3		140D69-7	GEAR HOUSING COMPLETE	1	O	C5969		
	C10	263029-9	RUBBER PIN 6	1		C5969		
058		951163-4	SPRING PIN 5-20	1				
059		272027-2	HANDLE 120	1				
060		324323-5	WISE SCREW	1			C7289	
060-1		326802-9	WISE SCREW	1	O	C7289		
063		251961-9	H.S.SET SCREW(FLAT POINT)M6X10	1			C3699	
063-1		266321-2	H.S.SET SCREW(FLAT POINT)M6X16	1	<	C3699		
065		313114-9	WISE NUT	1				
066		345311-9	PLATE	1				
067		317662-0	SCREW GUIDE	1				
068		951175-7	SPRING PIN 5-36	1				
069		951110-5	SPRING PIN 4-16	1				
070		265125-9	PAN HEAD SCREW M8X30	2				
071		266996-7	COLLAR BOLT M10X20	1				
072		271331-6	KNOB 40	1				
073		346970-2	GUIDE PLATE	1				
074		931503-2	HEX. NUT M10	1			B1899	
074-1		252183-4	HEX.NUT M10-17	1	<	B1899		
075		942251-8	SPRING WASHER 10	1				
076		253197-6	FLAT WASHER 10	1				
077		331648-0	PIPE 20-128	1				
078		233633-8	TORSION SPRING 33	1				
081		161399-9	SPARK GUARD	1				
082		265144-5	PAN HEAD SCREW M6X12	1				
083		421834-2	CUSHION	3				
084		253197-6	FLAT WASHER 10	1				
085		265509-1	HEX.BOLT M10X140	1				
086		161397-3	BASE	1				
087		961004-6	RETAINING RING S-8	1				
088		267257-8	FLAT WASHER 8	1				
089		256545-8	PIN 16	1				
090		961056-7	RETAINING RING S-16	1				
091		267257-8	FLAT WASHER 8	1				
092		346636-4	WISE PLATE	1				
093		253903-9	WAVE WASHER 6	1				
094		941152-7	FLAT WASHER 6	1		C5407		
095		346969-7	CENTER CAP	1			C3699	
097		681630-2	INSULATION WASHER	1				
098		911103-4	PAN HEAD SCREW M4X6	2				
099		346971-0	SPARK COVER	1				
100		266264-8	H.S.SET SCREW(FLAT POINT)M5X6	1				
101		272286-8	LEVER 125	1				
102		253197-6	FLAT WASHER 10	1				
103		257389-9	SLEEVE 11	1				
104		253180-3	FLAT WASHER 10	1				
105		216413-7	THRUST NEEDLE CAGE 1024	1				
106		253353-8	THIN WASHER 10	1				
107		253353-8	THIN WASHER 10	1				
108		216413-7	THRUST NEEDLE CAGE 1024	1				
109		253353-8	THIN WASHER 10	1				
110		961014-3	STOP RING E-8	1				
111		161402-6	GUIDE BASE	1				
112		257390-4	SLEEVE 20	2			B6664	
112-1		257413-8	SLEEVE 20	2	O	B6664		
113		961014-3	STOP RING E-8	1				
114		213011-8	O RING 7	1				
115		326624-7	STOPPER PIN	1				
116		922311-2	HEX. SOCKET HEAD BOLT M6X12	1			B2830	
116-1		922312-0	HEX. SOCKET HEAD BOLT M6X12	1	S	B2830		
117		942151-2	SPRING WASHER 6	1			C3118	
117-1		253428-3	SPRING WASHER 6	1	O	C3118		
118		931302-2	HEX. NUT M6	1				
119		135708-8	WISE ASS'Y	1				

Interchange
O : Yes
X : No
< : the new part can be substituted for the current.
> : the current part can be substituted for the new.
S : Interchangeable as a set.

