



VN	VIETNAM
----	---------

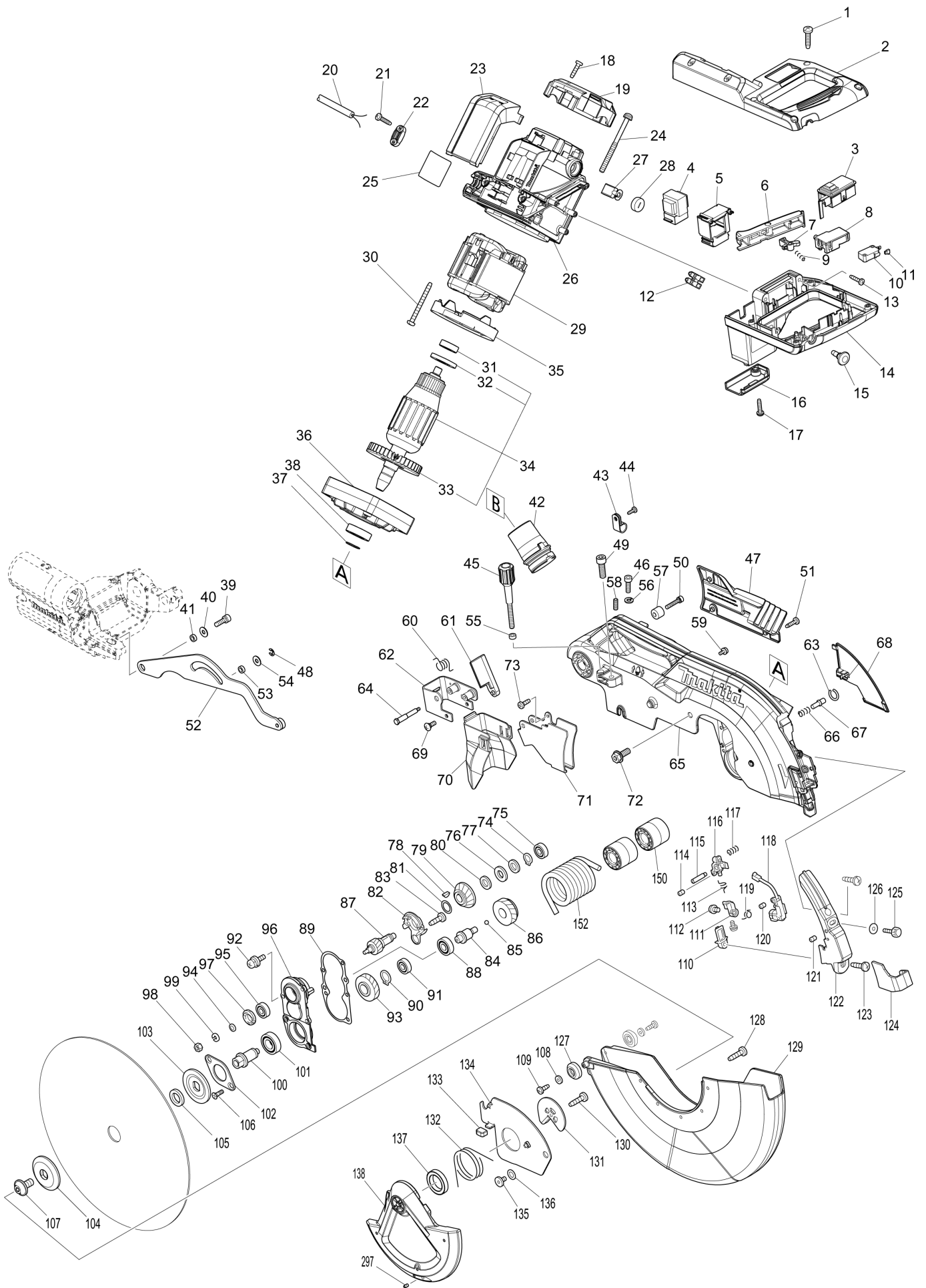
Diagram / Parts List

LS1219L

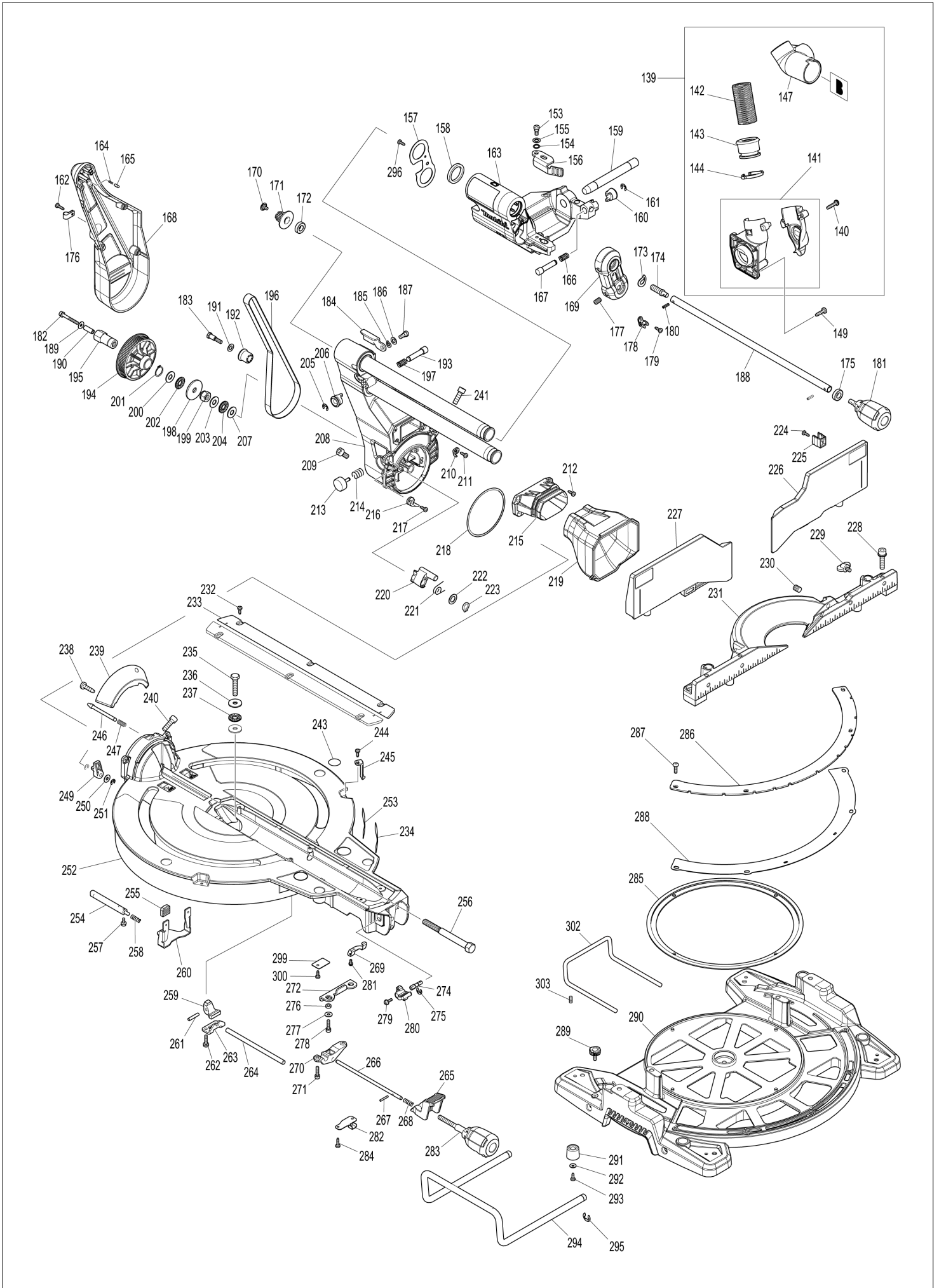
305MM SLIDE COMPOUND MITER SAW



(VN) LS1219L / 305MM SLIDE COMPOUND MITER SAW



(VN) LS1219L / 305MM SLIDE COMPOUND MITER SAW



VN	VIETNAM
-----------	----------------

LS1219L / 305MM SLIDE COMPOUND MITER SAW

Item	Sub	Parts No.	Parts Description	Qty	I/C	E/C No.	Close No.	Remark
001		265995-6	TAPPING SCREW 4X18	6				
002		183H19-3	HANDLE SET	1				
	C10	810486-8	CAUTION LABEL	1				
	C20	808641-4	SWITCH INDICATION LABEL	1				
	D10		INC. 14					
003		638652-3	LASER SWITCH UNIT	1				
004		631908-3	POWER SUPPLY CIRCUIT	1				
005		451412-4	CASE	1				
006		451003-1	SWITCH LEVER	1				
007		416356-5	LOCK-OFF LEVER	1				
008		650687-4	SWITCH TGC32B	1				
009		231026-3	COMPRESSION SPRING 4	1				
010		651941-9	SWITCH V-15-2A5	1				
011		686015-7	RECEPTACLE SLEEVE	2				
013		265995-6	TAPPING SCREW 4X18	4				
014		183H19-3	HANDLE SET	1				
	C10	810486-8	CAUTION LABEL	1				
	C20	808641-4	SWITCH INDICATION LABEL	1				
	D10		INC. 2					
015		451037-4	SWITCH BUTTON	1				
016		451000-7	LEAD COVER HOLDER	1				
017		265995-6	TAPPING SCREW 4X18	1				
018		265995-6	TAPPING SCREW 4X18	2				
019		457652-2	REAR COVER	1				
020		691015-4	POWER SUPPLY CORD 0.75-2-2.5	1				
021		265995-6	TAPPING SCREW 4X18	2				
022		687140-7	STRAIN RELIEF	1				
023		631865-5	CONTROLLER	1				
024		911948-0	PAN HEAD SCREW M6X80 WITH WR	4				
025		854B49-2	LS1219L NAME PLATE	1				
026		144532-8	MOTOR HOUSING COMPLETE	1				
	C10	643653-8	BRUSH HOLDER 6.5-13.5	2				
027		B-80329	CARBON BRUSH SET CB-153A	1				
028		643650-4	BRUSH HOLDER CAP 6.5-13.5	2				
029		596358-8	FIELD ASSEMBLY 220V	1				
	C10	654020-2	RING TERMINAL	2				
	C20	654502-4	CONNECTOR P-2	2				
030		266329-6	TAPPING SCREW 5X60	2				
031		210067-2	BALL BEARING 6000ZZ	1				
032		681642-5	INSULATION WASHER	1				
033		240001-8	FAN 80	1				
034		517843-8	ARMATURE ASSEMBLY 220V	1				
	D10		INC. 31-33					
035		451194-8	BAFFLE PLATE	1				
036		318471-0	MOTOR BRACKET	1				
037		961057-5	RETAINING RING S-17	1				
038		210301-0	BALL BEARING 6003DDW	1				
039		922331-6	HEX. SOCKET HEAD BOLT M6X20	1				
040		253804-1	FLAT WASHER 6	1				
041		257163-5	RING 6	1			C3464	
041-1		257461-7	RING 6	1	X	C3464		
042		457704-9	DUST NOZZLE	1			C8662	
042-1		459250-8	DUST NOZZLE	1	S	C8662		
043		687042-7	STRAIN RELIEF	1				
044		266034-5	TAPPING SCREW CT 4X16	1				
045		251554-2	THUMB SCREW M6X40	1				
046		922332-4	HEX. SOCKET HEAD BOLT M6X20	1				
047		458146-0	LOGO PLATE	1				
048		961018-5	STOP RING E-5	1				
049		251547-9	HEX.SOCKET HEAD BOLT M8X25	1				
050		922251-4	HEX. SOCKET HEAD BOLT M5X30	1				
051		266034-5	TAPPING SCREW CT 4X16	3				
052		144929-1	LINK PLATE COMPLETE	1			C5476	
052-1		140J53-8	LINK PLATE COMPLETE	1	<	C5476		
053		257163-5	RING 6	1			C3464	

Interchange
O : Yes
X : No
< : the new part can be substituted for the current.
> : the current part can be substituted for the new.
S : Interchangeable as a set.

VN	VIETNAM
-----------	----------------

LS1219L / 305MM SLIDE COMPOUND MITER SAW

Item	Sub	Parts No.	Parts Description	Qty	I/C	E/C No.	Close No.	Remark
053-1		257461-7	RING 6	1	X	C3464		
054		253804-1	FLAT WASHER 6	1				
055		262001-8	URETHANE RING 5	1			C5428	
055-1		262190-9	URETHANE RING 5	1	<	C5428		
056		942151-2	SPRING WASHER 6	1			C3118	
056-1		253428-3	SPRING WASHER 6	1	O	C3118		
057		257449-7	SLEEVE 6	1				
058		266321-2	H.S.SET SCREW(FLAT POINT)M6X16	1				
059		911114-9	PAN HEAD SCREW M4X10	2				
060		231675-6	TORSION SPRING 11	1			C2705	
060-1		232412-1	TORSION SPRING 11	1	X	C2705		
061		457764-1	DUST GUIDE PLATE	1				
062		161647-6	GUARD HOLDER	1				
063		231928-3	RING SPRING 8	1				
064		251544-5	SHOULDER HEX. BOLT M4	1				
065		144918-6	BLADE CASE COMPLETE	1			C3568	
	C10	263005-3	RUBBER PIN 6	3			C3568	
	C20	810064-4	LASER BEAM CAUTION LABEL	1			C3568	
	C30	810354-5	LASER BEAM LABEL	1			C3568	
065-1		140F83-5	BLADE CASE COMPLETE	1	<	C3568		
	C10	263005-3	RUBBER PIN 6	3		C3568		
	C20	810064-4	LASER BEAM CAUTION LABEL	1		C3568		
	C30	810354-5	LASER BEAM LABEL	1		C3568		
066		231240-1	COMPRESSION SPRING 7	1				
067		256633-1	PIN 6	1				
068		458148-6	LEAD COVER	1				
069		265028-7	+ PAN HEAD SCREW M4X11	1				
070		422235-7	GUARD	1				
071		347308-4	GUARD PLATE	1				
072		266283-4	HEX. SOCKET HEX. BOLT M8X20	1				
073		266020-6	TAPPING SCREW 4X12	1				
074		961052-5	RETAINING RING S-12	1				
075		210005-4	BALL BEARING 608DDW	1				
076		261104-5	RUBBER WASHER 12	1				
077		253744-3	FLAT WASHER 12	1				
078		254001-2	WOODRUFF KEY 4	1				
079		227550-2	SPIRAL BEVEL GEAR 32	1				
080		253744-3	FLAT WASHER 12	1				
081		253313-0	THIN WASHER 14	1				
082		451002-3	GREASE HOLDER	1				
083		266026-4	TAPPING SCREW BIND CT 4X12	2				
084		325643-0	GEAR SHAFT	1				
085		216024-8	STEEL BALL 4	1			C5722	
085-1		216049-2	STEEL BALL 4	1	O	C5722		
086		227702-5	HELICAL GEAR 27	1				
087		227701-7	HELICAL GEAR 14	1				
088		210067-2	BALL BEARING 6000ZZ	1				
089		442147-8	GASKET	1				
090		961055-9	RETAINING RING S-15	1				
091		210005-4	BALL BEARING 608DDW	1				
092		911223-4	PAN HEAD SCREW M5X16	3				
093		227703-3	HELICAL GEAR 28	1				
094		267010-2	FLAT WASHER 5	1				
095		210005-4	BALL BEARING 608DDW	1				
096		158957-0	BEARING BOX COMPLETE	1				
	C10	263002-9	RUBBER PIN 4	1				
097		285847-5	BEARING RETAINER 14-23	1				
098		931202-6	HEX. NUT M5	1				
099		942101-7	SPRING WASHER 5	1			C3118	
099-1		253427-5	SPRING WASHER 5	1	O	C3118		
100		325644-8	SPINDLE	1				
101		211236-8	BALL BEARING 6002DDW	1				
102		285732-2	BEARING RETAINER 51	1				
103		224431-1	INNER FLANGE 53	1				
104		224432-9	OUTER FLANGE 53	1				

Interchange
O : Yes
X : No
< : the new part can be substituted for the current.
> : the current part can be substituted for the new.
S : Interchangeable as a set.

VN	VIETNAM
----	---------

LS1219L / 305MM SLIDE COMPOUND MITER SAW

Item	Sub	Parts No.	Parts Description	Qty	I/C	E/C No.	Close No.	Remark
105		257060-5	RING 15.8	1				
106		265034-2	+ COUNTERSUNK HEAD SCREW M5X1	2				
107		266755-9	HEX.SOCKET HEAD BOLT M10X20	1				
108		941051-3	FLAT WASHER 4	2				
109		266020-6	TAPPING SCREW 4X12	2				
110		418104-8	LENS	1				
111		419378-4	BLOCK B	1				
112		911003-8	PAN HEAD SCREW M3X6	2				
113		231664-1	TORSION SPRING 9	1				
114		266318-1	H.S.SET SCREW(FLAT POINT)M4X6	1				
115		266306-8	SHOULDER SCREW M5	1				
116		419379-2	BLOCK C	1				
117		233471-8	COMPRESSION SPRING 6	1				
118		638651-5	LASER CIRCUIT COMPLETE	1				
119		231664-1	TORSION SPRING 9	1				
120		266318-1	H.S.SET SCREW(FLAT POINT)M4X6	1				
121		266229-0	H.S.SET SCREW(CUP POINT)M5X8	2				
122		451195-6	LASER COVER	1			C3682	
122-1		458903-6	LASER COVER	1	<	C3682		
123		266034-5	TAPPING SCREW CT 4X16	2				
124		457664-5	PROTECTOR	1				
125		265753-0	THUMB SCREW M5X24	1				
126		253807-5	FLAT WASHER 5	1			C3464	
126-1		267066-5	FLAT WASHER 5	1	X	C3464		
127		424193-3	ROLLER	2				
128		266385-6	TAPPING SCREW 4X14	3				
129		458144-4	SAFETY COVER B	1				
130		266385-6	TAPPING SCREW 4X14	1				
131		347213-5	CENTER PLATE	1				
132		231634-0	TORSION SPRING 45	1				
133		424190-9	CUSHION	1				
134		347214-3	CENTER COVER	1				
135		265985-9	HEX.SOCKET HEAD BOLT M6	1				
136		253932-2	WAVE WASHER 10	1				
137		210168-6	BALL BEARING 6805DDW	1				
138		458437-9	SAFETY COVER A	1				
139		126792-4	DUST NOZZLE ASS'Y	1			C8662	
	D10		INC. 140-144,147				C8662	
139-1		127274-9	DUST NOZZLE ASSEMBLY	1	S	C8662		
	C10	458939-5	BUTTON A	1	S	C8662		
	C20	232485-4	COMPRESSION SPRING 5	1	S	C8662		
	D10		INC. 140-144,147				C8662	
140		265995-6	TAPPING SCREW 4X18	3				
141		183H71-1	HOSE CONNECTOR SET	1				
142		245048-7	HOSE 28-0.5	1				
143		457672-6	SLEEVE	1				
144		457673-4	STOPPER	1				
147		458198-1	HOSE JOINT	1			C8662	
147-1		459249-3	HOSE JOINT	1	S	C8662		
149		266034-5	TAPPING SCREW CT 4X16	3				
150		458149-4	SLEEVE 17	2				
152		233542-1	TORSION SPRING 40	1				
153		251267-5	+ PAN HEAD SCREW M6	1				
154		253948-7	WAVE WASHER 8	1				
155		253835-0	FLAT WASHER 8	1				
156		347221-6	STOPPER ARM	1				
157		347222-4	FRONT ARM PLATE	1				
158		262076-7	FELT RING 30	2				
159		326994-4	ROD 16	1				
160		271437-0	KNOB 22	1				
161		961013-5	STOP RING E-7	1				
162		266034-5	TAPPING SCREW CT 4X16	4				
163		144912-8	FRONT ARM COMPLETE	1				
	C10	263005-3	RUBBER PIN 6	2				
164		233151-6	COMPRESSION SPRING 4	1				

Interchange
O : Yes
X : No
< : the new part can be substituted for the current.
> : the current part can be substituted for the new.
S : Interchangeable as a set.

VN	VIETNAM
-----------	----------------

LS1219L / 305MM SLIDE COMPOUND MITER SAW

Item	Sub	Parts No.	Parts Description	Qty	I/C	E/C No.	Close No.	Remark
165		256364-2	PIN 4	1				
166		232384-0	COMPRESSION SPRING 10	1				
167		326977-4	STOPPER PIN	1				
168		458145-2	ARM COVER	1				
169		144658-6	HOLDER COMPLETE	1				
	C10	812X89-8	INDICATION LABEL	1				
170		265008-3	+ FLAT HEAD SCREW M5	1				
171		222191-9	PULLEY 17-19.3	1				
172		210167-8	BALL BEARING 6900LLB	1				
173		267804-5	WAVE WASHER 15	1				
174		326975-8	SHAFT	1				
175		210167-8	BALL BEARING 6900LLB	1				
176		687042-7	STRAIN RELIEF	1				
177		913416-9	SET SCREW M8X12	2				
178		416536-3	WRENCH HOLDER	1				
179		266026-4	TAPPING SCREW BIND CT 4X12	1				
180		951107-4	SPRING PIN 4-14	2				
181		273016-0	GRIP 50 B	1				
182		266440-4	HEX SOCKET HEAD BOLT M5X40	1				
183		251545-3	SHOULDER HEX. BOLT M6	1				
184		144930-6	STOP LEVER COMPLETE	1				
	C10	812X87-2	INDICATION LABEL	1				
185		253948-7	WAVE WASHER 8	1				
186		253835-0	FLAT WASHER 8	1				
187		251267-5	+ PAN HEAD SCREW M6	1				
188		327054-5	PIN 9-418	1				
189		253194-2	FLAT WASHER 5	1				
190		257436-6	SLEEVE 5	1				
191		253165-9	FLAT WASHER 8	1				
192		457666-1	SLEEVE 20	1				
193		326977-4	STOPPER PIN	1				
194		222192-7	PULLEY 17-87.8	1				
195		327053-7	HEX. NUT M10-19	1				
196		225102-3	SYNCHRO BELT 15-810	1				
197		232384-0	COMPRESSION SPRING 10	1				
198		253388-9	FLAT WASHER 10	1				
199		252244-0	HEX.LOCK NUT M10-17	1				
200		253024-7	FLAT WASHER 10	1				
201		961057-5	RETAINING RING S-17	1				
202		216413-7	THRUST NEEDLE CAGE 1024	1				
203		253024-7	FLAT WASHER 10	1				
204		216413-7	THRUST NEEDLE CAGE 1024	1				
205		961013-5	STOP RING E-7	1				
206		271437-0	KNOB 22	1				
207		253024-7	FLAT WASHER 10	1				
208		144911-0	ARM COMPLETE	1				
	C10	812X88-0	INDICATION LABEL	1				
209		251547-9	HEX.SOCKET HEAD BOLT M8X25	1				
210		458151-7	INDICATION PLATE R	1				
211		266026-4	TAPPING SCREW BIND CT 4X12	1				
212		266034-5	TAPPING SCREW CT 4X16	4				
213		415208-7	RELEASE BUTTON	1				
214		233031-6	COMPRESSION SPRING 12	1				
215		457654-8	DUST GUIDE HOLDER	1				
216		458150-9	INDICATION PLATE L	1				
217		266026-4	TAPPING SCREW BIND CT 4X12	1				
218		253389-7	WASHER 94	1				
219		422229-2	DUST GUIDE	1				
220		319593-9	STOPPER	1				
221		231646-3	TORSION SPRING 14	1				
222		253744-3	FLAT WASHER 12	1				
223		961052-5	RETAINING RING S-12	1				
224		266026-4	TAPPING SCREW BIND CT 4X12	2				
225		457668-7	HOLDER	2				
226		144925-9	UPPER FENCE R COMPLETE	1				

Interchange
O : Yes
X : No
< : the new part can be substituted for the current.
> : the current part can be substituted for the new.
S : Interchangeable as a set.

VN	VIETNAM
-----------	----------------

LS1219L / 305MM SLIDE COMPOUND MITER SAW

Item	Sub	Parts No.	Parts Description	Qty	I/C	E/C No.	Close No.	Remark
	C10	810503-4	CAUTION LABEL	1				
227		144922-5	UPPER FENCE L COMPLETE	1				
	C10	810503-4	CAUTION LABEL	1				
228		922458-2	H.S.H.BOLT M8X35 WITH WR	4				
229		251887-5	SCREW M6X10	2				
230		251561-5	H.SOCKET HEAD SET SCREW M10X12	2				
231		319565-4	GUIDE FENCE	1				
232		266026-4	TAPPING SCREW BIND CT 4X12	6				
233		451201-7	KERF BOARD	2				
235		265442-7	HEX. BOLT M8X40	1				
236		253852-0	FLAT WASHER 8	2				
237		216413-7	THRUST NEEDLE CAGE 1024	1				
238		266385-6	TAPPING SCREW 4X14	2				
239		458147-8	BEVEL SCALE PLATE	1				
240		251547-9	HEX.SOCKET HEAD BOLT M8X25	1				
241		251547-9	HEX.SOCKET HEAD BOLT M8X25	1				
243		813L22-1	CAUTION LABEL	2				
244		266026-4	TAPPING SCREW BIND CT 4X12	2				
245		457702-3	INDICATION PLATE	2				
246		326970-8	LOCK PIN 8	1				
247		234122-6	COMPRESSION SPRING 6	1				
249		457657-2	LEVER 25	1				
250		253804-1	FLAT WASHER 6	1				
251		961018-5	STOP RING E-5	2				
252		144928-3	TURN BASE COMPLETE	1				
	D10		INC. 243,253					
253		812X85-6	CAUTION LABEL	1				
254		326973-2	ROD 12	1				
255		286039-9	CAP	2				
256		326976-6	CENTER SHAFT	1				
257		911113-1	PAN HEAD SCREW M4X10 WITH WR	2				
258		231325-3	COMPRESSION SPRING 6	1				
259		310803-7	TURN STOPPER	1				
260		347217-7	LEVER PLATE	1				
261		256186-0	PIN 5	1				
262		911231-5	PAN HEAD SCREW M5X20	2				
263		347219-3	STOPPER HOLDER	1				
264		327052-9	LOCK ROD	1				
265		457656-4	LOCK LEVER	1				
266		327051-1	LOCK PIN 6	1				
267		256158-5	PIN 3	1				
268		231325-3	COMPRESSION SPRING 6	1				
269		347237-1	CAM PLATE	1				
270		319592-1	PIN HOLDER	1				
271		922231-0	HEX. SOCKET HEAD BOLT M5X20	2				
272		347216-9	LOCK PLATE	1				
274		326972-4	ROD 6	1				
275		961011-9	STOP RING E-4	1				
276		257425-1	RING 5	2				
277		253194-2	FLAT WASHER 5	2				
278		922231-0	HEX. SOCKET HEAD BOLT M5X20	2				
279		911113-1	PAN HEAD SCREW M4X10 WITH WR	1				
280		144656-0	LEVER 25 COMPLETE	1				
	C10	263005-3	RUBBER PIN 6	1				
281		911008-8	PAN HEAD SCREW M3X8	1				
282		345272-3	LOCK LEVER PLATE	1				
283		273015-2	GRIP 50A	1				
284		266026-4	TAPPING SCREW BIND CT 4X12	2				
285		457655-6	SLIDE PLATE	1				
286		347223-2	MITER SCALE PLATE	1			C2216	
286-1		347412-9	MITER SCALE PLATE	1	<	C2216		
287		251546-1	+ PAN HEAD SCREW M5	4				
288		347218-5	MITER LOCK PLATE	1				
289		265786-5	SCREW M5X16	2				
290		310891-4	BASE	1			C9366	

Interchange
O : Yes
X : No
< : the new part can be substituted for the current.
> : the current part can be substituted for the new.
S : Interchangeable as a set.

