



VN	VIETNAM
----	---------

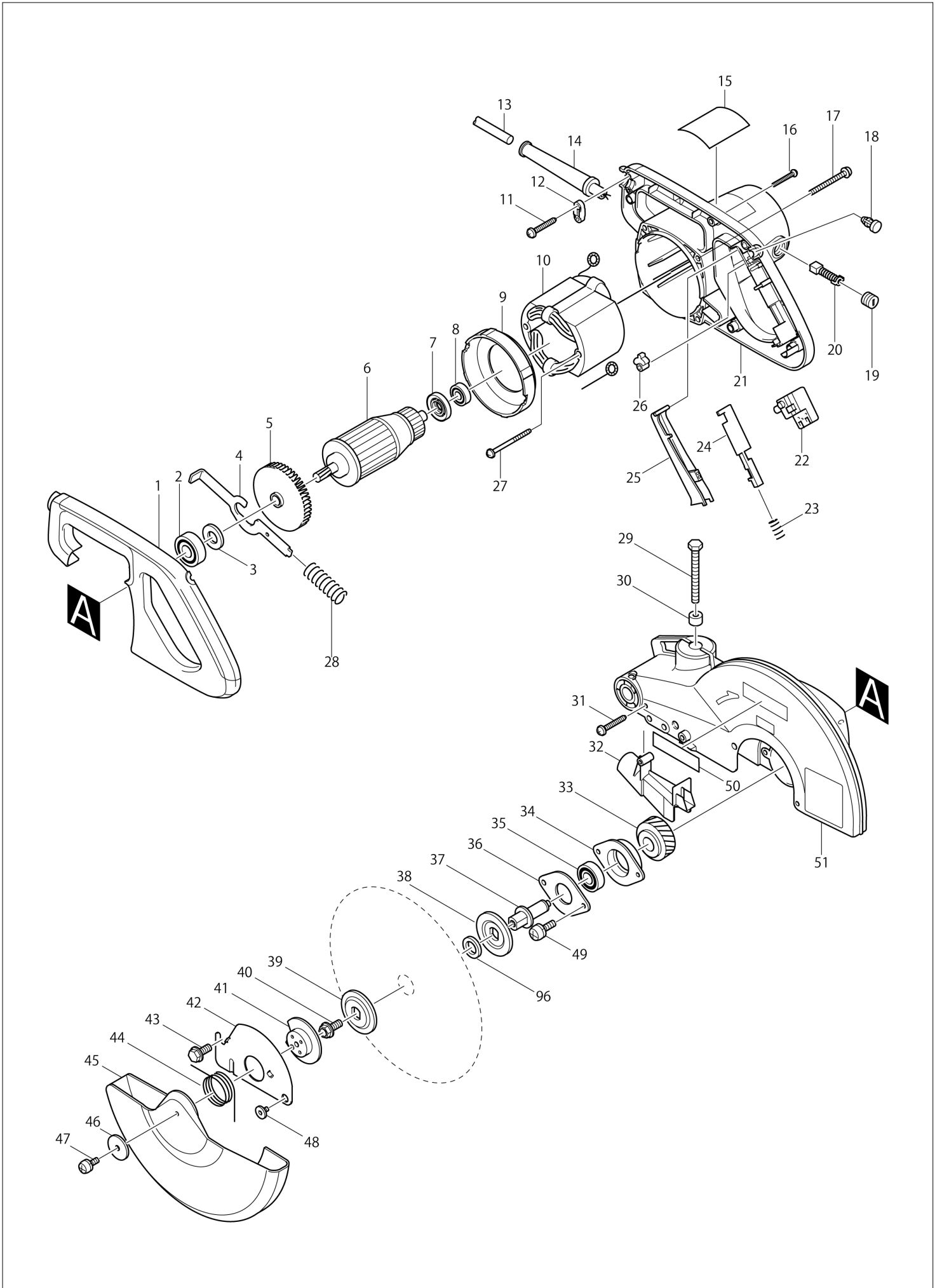
Diagram / Parts List

LS1040

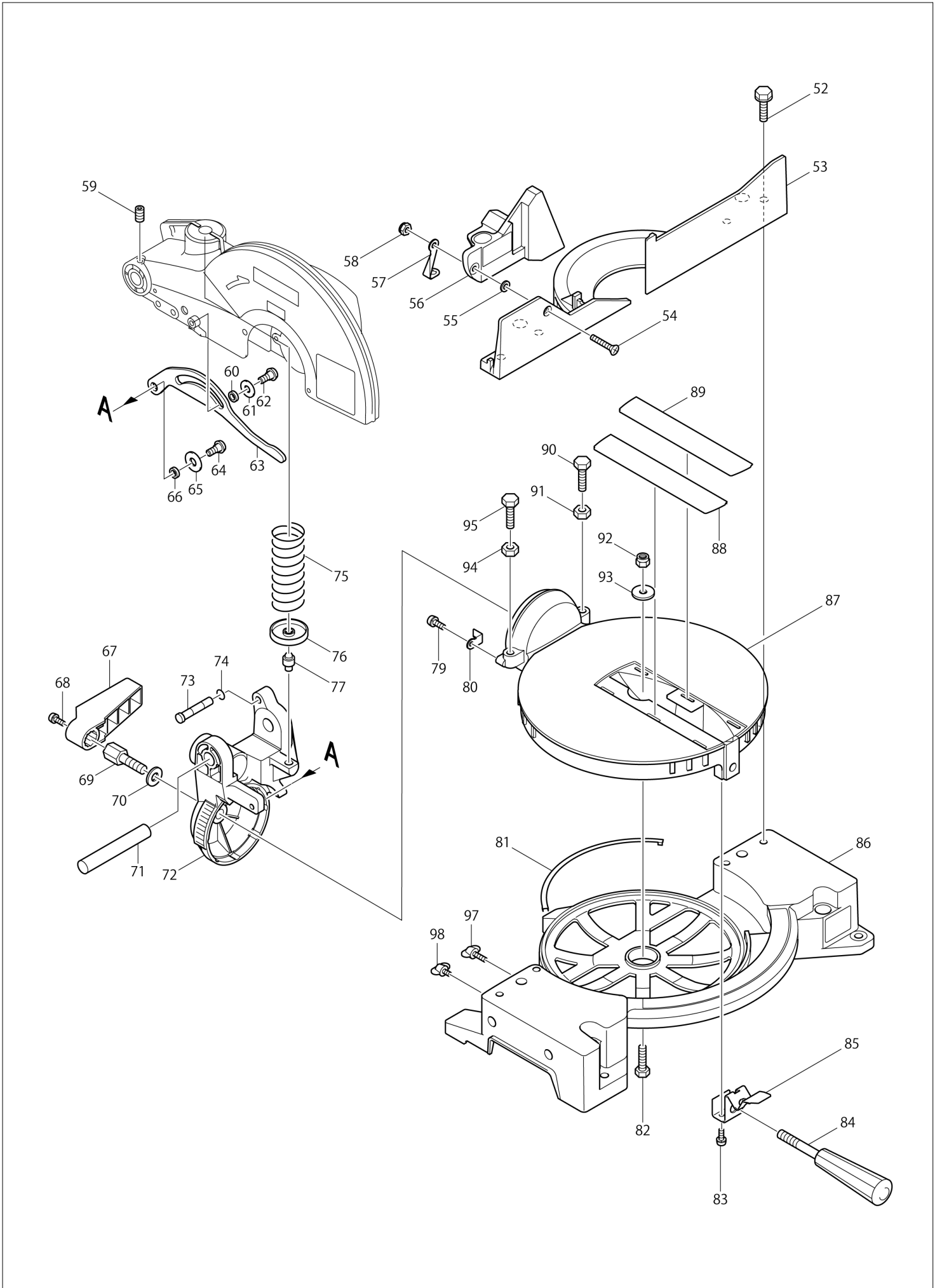
MITER SAW 255MM



(VN) LS1040 / MITER SAW 255MM



(VN) LS1040 / MITER SAW 255MM



VN	VIETNAM
-----------	----------------

LS1040 / MITER SAW 255MM

Item	Sub	Parts No.	Parts Description	Qty	I/C	E/C No.	Close No.	Remark
001		416004-6	HANDLE COVER	1			C5361	
001-1		458787-2	HANDLE COVER	1	<	C5361		
002		211206-7	BALL BEARING 6202LLB	1				
003		253853-8	FLAT WASHER 15	1			69242	
003-1		267280-3	FLAT WASHER 15	1	<	69242		
004		343641-2	SHAFT LOCK	1				
005		241909-9	FAN 80	1				
006A		516718-8	ARMATURE ASS'Y 220V	1			C9046	
	D10		INC. 2,3,5,7,8				C9046	
006A1		516718-8	ARMATURE ASS'Y 220V	1	O	C9046		
	D10		INC. 2,3,5,7,8			C9046		
007		681640-9	INSULATION WASHER	1			C9046	
007-1		681640-9	INSULATION WASHER	1	O	C9046		
008		211061-7	BALL BEARING 6000LLB	1				
009A		416442-2	BAFFLE PLATE	1				
010B		526068-3	FIELD ASS'Y 220-240V	1				
	C10	654020-2	RING TERMINAL	1				
	C20	654502-4	CONNECTOR P-2	1				
011		265995-6	TAPPING SCREW 4X18	2				
012A		687053-2	STRAIN RELIEF	1			A7453	
012A1		687140-7	STRAIN RELIEF	1	O	A7453		
013I		691216-4	POWER SUPPLY CORD 1.25-2-2.5	1				
014		682505-8	CORD GUARD 10-90	1				
015A2		851559-8	NAME PLATE LS1040	1			C5138	
015A3		855H16-6	LS1040 NAME PLATE	1	<	C5138		
016		265995-6	TAPPING SCREW 4X18	5				
017		911383-2	PAN HEAD SCREW M6X60	4				
018		411478-6	SWITCH BUTTON	1				
019		643650-4	BRUSH HOLDER CAP 6.5-13.5	2			B0305	
019-1		643650-4	BRUSH HOLDER CAP 6.5-13.5	2	O	B0305		
020A		181044-0	CARBON BRUSH CB-153	1			85070	
020A1		B-80329	CARBON BRUSH SET CB-153A	1	<	85070		
021B		150784-1	MOTOR HOUSING COMPLETE	1			69833	
	C10	817880-5	CAUTION LABEL	1			69833	
	C20	643660-1	BRUSH HOLDER 6.5-13.5	2			69833	
021B1		153792-1	MOTOR HOUSING COMPLETE	1	<	69833		
	C10	817880-5	CAUTION LABEL	1		69833		
	C20	643660-1	BRUSH HOLDER 6.5-13.5	2		69833	74692	
	C21	643653-8	BRUSH HOLDER 6.5-13.5	2	O	74692	C7740	
	C22	643536-2	BRUSH HOLDER 6.5X13.5	2	O	C7740		
022		651923-1	SWITCH TG70B	1				
023		231457-6	COMPRESSION SPRING 3	1				
024		416000-4	LOCK OFF LEVER	1				
025		415999-0	SWITCH LEVER	1			C5138	
025-1		459017-4	SWITCH LEVER	1	<	C5138		
026		414546-4	CAM	1				
027		266029-8	TAPPING SCREW 5X65	2				
028		231297-2	COMPRESSION SPRING 9	1				
029		251667-9	HEX. BOLT M8X75	1				
030		262511-5	RUBBER SLEEVE 6	1				
031		265995-6	TAPPING SCREW 4X18	1				
032		416007-0	GUIDE COVER	1			93598	
032-1		453695-2	GUIDE COVER	1	<	93598		
033		226465-0	HELICAL GEAR 42	1				
034		316821-3	BEARING BOX	1				
035		211256-2	BALL BEARING 6203LLB	1				
036		285685-5	BEARING RETAINER 64	1				
037		322865-3	SPINDLE	1				
038		224333-1	FLANGE 53	1				
039		224333-1	FLANGE 53	1				
040		265355-2	HEX. FLANGE HEAD BOLT M8X20	1				
041		343639-9	CENTER PLATE	1				
042		344380-7	CENTER COVER	1				
043		265324-3	HEX. FLANGE HEAD BOLT M8X12	1				
044		231593-8	TORSION SPRING 36	1				

Interchange
O : Yes
X : No
< : the new part can be substituted for the current.
> : the current part can be substituted for the new.
S : Interchangeable as a set.

VN	VIETNAM
-----------	----------------

LS1040 / MITER SAW 255MM

Item	Sub	Parts No.	Parts Description	Qty	I/C	E/C No.	Close No.	Remark
045		416003-8	SAFETY COVER	1				
046		267136-0	FLAT WASHER 5	1				
047		911213-7	PAN HEAD SCREW M5X12	1			B0386	
047-1		922211-6	H.S.H.BOLT M5X12 WITH W	1	<	B0386		
048		265985-9	HEX.SOCKET HEAD BOLT M6	1				
049		911223-4	PAN HEAD SCREW M5X16	2				
050		819064-1	MAKITA MARK	1			57713	
051		151451-1	BLADE CASE COMPLETE	1			70207	
	C10	817667-5	CAUTION LABEL	1			70207	
	C20	817829-5	CAUTION LABEL	1			70207	
	C30	263005-3	RUBBER PIN 6	1			70207	
051-1		151451-1	BLADE CASE COMPLETE	1	O	70207	78401	
	C10	817667-5	CAUTION LABEL	1		70207	78401	
	C20	817829-5	CAUTION LABEL	1		70207	78401	
	C30	263005-3	RUBBER PIN 6	1		70207	78401	
051-2		188324-5	BLADE CASE SET	1	O	78401	81564	
	C10	817667-5	CAUTION LABEL	1		78401	81564	
	C20	817829-5	CAUTION LABEL	1		78401	81564	
	C30	263005-3	RUBBER PIN 6	1		78401	81564	
	C40	819214-8	MAKITA LOGO LABEL	1		78401	81564	
051-3		188324-5	BLADE CASE SET	1	O	81564	91038	
	C10	816847-0	OPERATIONAL INDICATION LABEL	1	<	81564	91038	
	C20	817829-5	CAUTION LABEL	1		81564	91038	
	C30	263005-3	RUBBER PIN 6	1		81564	91038	
	C40	819214-8	MAKITA LOGO LABEL	1		81564	91038	
051-4		140648-7	BLADE CASE COMPLETE	1	O	91038		
	C10	816847-0	OPERATIONAL INDICATION LABEL	1		91038		
	C20	891309-9	CAUTION LABEL	1		91038		
	C30	263005-3	RUBBER PIN 6	1		91038		
052		921451-3	HEX. BOLT M8X30	4			63448	
052-1		265488-3	HEX. BOLT M8X30	4	O	63448		
053		316826-3	GUIDE RULE	1			70207	
053-1		316826-3	GUIDE RULE	1	O	70207	93598	
053-2		318847-1	GUIDE RULE	1	<	93598		
054		912342-9	COUNTERSUNK HEAD SCREW M6X25	1				
055		253715-0	FLAT WASHER 6	1				
056		150662-5	SUB FENCE COMPLETE	1			70207	
	C10	810857-9	CAUTION LABEL	1			70207	
056-1		150662-5	SUB FENCE COMPLETE	1	O	70207		
	C10	810857-9	CAUTION LABEL	1		70207		
057		344476-4	SUB FENCE PLATE	1				
058		252014-7	HEX. LOCK NUT M6-10	1				
059		251961-9	H.S.SET SCREW(FLAT POINT)M6X10	1				
060		257162-7	RING 7	1				
061		253823-7	FLAT WASHER 7	1				
062		265984-1	HEX.SOCKET BUTTON HEAD BOLT M6	1				
063		344377-6	LINK PLATE	1				
064		265984-1	HEX.SOCKET BUTTON HEAD BOLT M6	1				
065		253823-7	FLAT WASHER 7	1				
066		257162-7	RING 7	1				
067		416006-2	LEVER 100	1				
068		911113-1	PAN HEAD SCREW M4X10 WITH WR	1				
069		265437-0	HEX. BOLT M10	1				
070		253024-7	FLAT WASHER 10	1				
071		256836-7	ROD 16	1				
072		150664-1	ARM COMPLETE	1			70207	
	C10	816310-3	SCALE LABEL	1			70207	
072-1		150664-1	ARM COMPLETE	1	O	70207	70926	
	C10	816310-3	SCALE LABEL	1		70207	70926	
072-2		154463-3	ARM COMPLETE	1	O	70926		
	C10	816310-3	SCALE LABEL	1		70926		
073		322317-4	STOPPER PIN	1				
074		213021-5	O RING 5	1				
075		233152-4	COMPRESSION SPRING 28	1				
076		343638-1	SPRING HOLDER	1				

Interchange
O : Yes
X : No
< : the new part can be substituted for the current.
> : the current part can be substituted for the new.
S : Interchangeable as a set.

