



VN	VIETNAM
----	---------

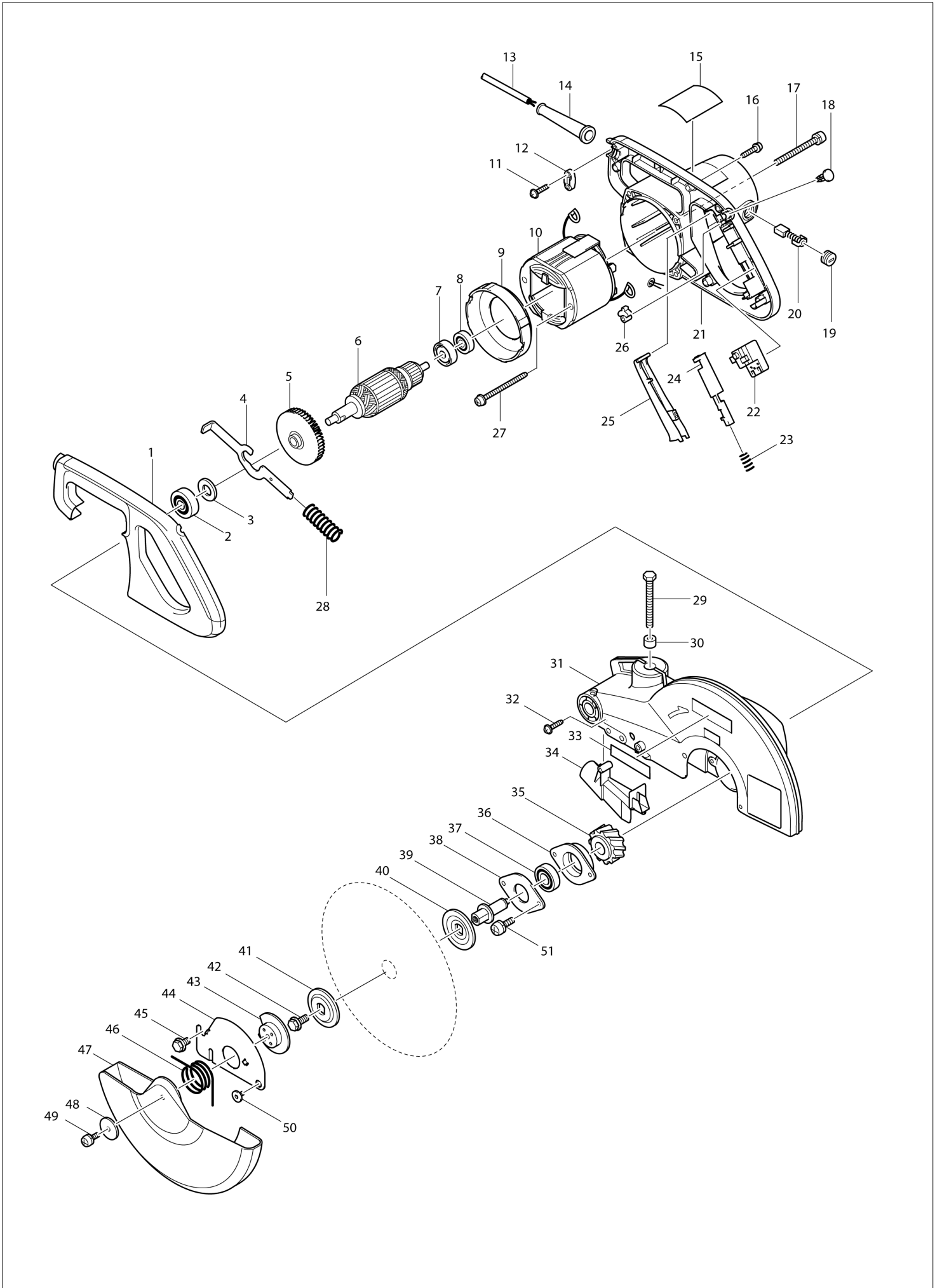
Diagram / Parts List

LS1030N

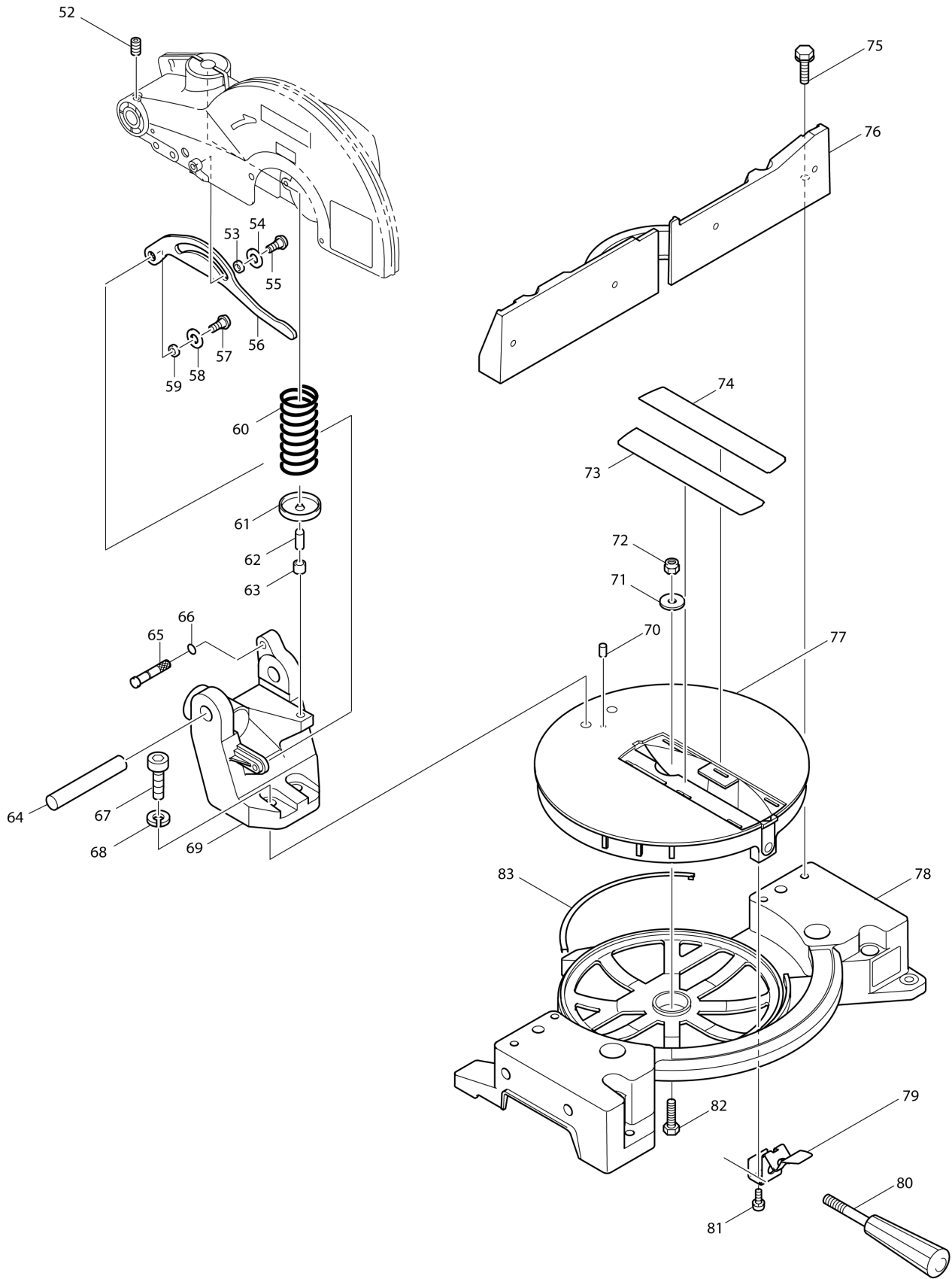
MITER SAW 255MM



(VN) LS1030N / MITER SAW 255MM



(VN) LS1030N / MITER SAW 255MM



VN	VIETNAM
-----------	----------------

LS1030N / MITER SAW 255MM

Item	Sub	Parts No.	Parts Description	Qty	I/C	E/C No.	Close No.	Remark
001		416004-6	HANDLE COVER	1			C5361	
001-1		458787-2	HANDLE COVER	1	<	C5361		
002		211206-7	BALL BEARING 6202LLB	1				
003		253853-8	FLAT WASHER 15	1			69242	
003-1		267280-3	FLAT WASHER 15	1	<	69242		
004		343641-2	SHAFT LOCK	1				
005		241909-9	FAN 80	1				
006		516718-8	ARMATURE ASS'Y 220V	1			C9046	
	D10		INC. 2,3,5,7,8				C9046	
006-1		516718-8	ARMATURE ASS'Y 220V	1	O	C9046		
	D10		INC. 2,3,5,7,8			C9046		
007		681640-9	INSULATION WASHER	1			C9046	
007-1		681640-9	INSULATION WASHER	1	O	C9046		
008		211061-7	BALL BEARING 6000LLB	1				
009		416442-2	BAFFLE PLATE	1				
010		526068-3	FIELD ASS'Y 220-240V	1				220V
	C10	654020-2	RING TERMINAL	2				
	C20	654502-4	CONNECTOR P-2	2				
011		265995-6	TAPPING SCREW 4X18	2				
012		687053-2	STRAIN RELIEF	1			A7453	
012-1		687140-7	STRAIN RELIEF	1	O	A7453		
013		691216-4	POWER SUPPLY CORD 1.25-2-2.5	1				
014		682505-8	CORD GUARD 10-90	1				
015		853791-0	NAME PLATE LS1030N	1				
016		265995-6	TAPPING SCREW 4X18	5				
017		911383-2	PAN HEAD SCREW M6X60	4				
018		411478-6	SWITCH BUTTON	1				
019		643650-4	BRUSH HOLDER CAP 6.5-13.5	2			B0305	
019-1		643650-4	BRUSH HOLDER CAP 6.5-13.5	2	O	B0305		
020		A-81240	CARBON BRUSH CB-153A	1			83185	
020-1		B-80117	CARBON BRUSH SET CB-153A	1	O	83185	85070	
020-2		B-80329	CARBON BRUSH SET CB-153A	1	<	85070		
021		150784-1	MOTOR HOUSING COMPLETE	1			69833	
	C10	643660-1	BRUSH HOLDER 6.5-13.5	2			69833	
	C20	817880-5	CAUTION LABEL	1			69833	
021-1		153792-1	MOTOR HOUSING COMPLETE	1	<	69833		
	C10	643660-1	BRUSH HOLDER 6.5-13.5	2		69833	74692	
	C11	643653-8	BRUSH HOLDER 6.5-13.5	2	O	74692	C7740	
	C12	643536-2	BRUSH HOLDER 6.5X13.5	2	O	C7740		
	C20	817880-5	CAUTION LABEL	1		69833		
022		651923-1	SWITCH TG70B	1				
023		231457-6	COMPRESSION SPRING 3	1				
024		416000-4	LOCK OFF LEVER	1				
025		415999-0	SWITCH LEVER	1				
026		414546-4	CAM	1				
027		266029-8	TAPPING SCREW 5X65	2				
028		231297-2	COMPRESSION SPRING 9	1				
029		251667-9	HEX. BOLT M8X75	1				
030		262511-5	RUBBER SLEEVE 6	1				
031		151451-1	BLADE CASE COMPLETE	1			70207	
	C10	817667-5	CAUTION LABEL	1			70207	
	C20	817829-5	CAUTION LABEL	1			70207	
	C30	263005-3	RUBBER PIN 6	1			70207	
031-1		151451-1	BLADE CASE COMPLETE	1	O	70207	78401	
	C10	817667-5	CAUTION LABEL	1		70207	78401	
	C20	817829-5	CAUTION LABEL	1		70207	78401	
	C30	263005-3	RUBBER PIN 6	1		70207	78401	
031-2		188324-5	BLADE CASE SET	1	O	78401	81564	
	C10	817667-5	CAUTION LABEL	1		78401	81564	
	C20	817829-5	CAUTION LABEL	1		78401	81564	
	C30	263005-3	RUBBER PIN 6	1		78401	81564	
	D10		INC.33			78401	81564	
031-3		188324-5	BLADE CASE SET	1	O	81564	91038	
	C10	816847-0	OPERATIONAL INDICATION LABEL	1	<	81564	91038	
	C20	817829-5	CAUTION LABEL	1		81564	91038	

Interchange
O : Yes
X : No
< : the new part can be substituted for the current.
> : the current part can be substituted for the new.
S : Interchangeable as a set.

VN	VIETNAM
-----------	----------------

LS1030N / MITER SAW 255MM

Item	Sub	Parts No.	Parts Description	Qty	I/C	E/C No.	Close No.	Remark
	C30	263005-3	RUBBER PIN 6	1		81564	91038	
	D10		INC.33			81564	91038	
031-4		140648-7	BLADE CASE COMPLETE	1	O	91038		
	C10	816847-0	OPERATIONAL INDICATION LABEL	1		91038		
	C20	891309-9	CAUTION LABEL	1		91038		
	C30	263005-3	RUBBER PIN 6	1		91038		
032		265995-6	TAPPING SCREW 4X18	1				
033		819064-1	MAKITA MARK	1			78401	
033-1		819214-8	MAKITA LOGO LABEL	1	X	78401	91038	
034		416007-0	GUIDE COVER	1			93598	
034-1		453695-2	GUIDE COVER	1	<	93598		
035		226465-0	HELICAL GEAR 42	1				
036		316821-3	BEARING BOX	1				
037		211256-2	BALL BEARING 6203LLB	1				
038		285685-5	BEARING RETAINER 64	1				
039		322865-3	SPINDLE	1				
040		224333-1	FLANGE 53	1				
041		224333-1	FLANGE 53	1				
042		265355-2	HEX. FLANGE HEAD BOLT M8X20	1				
043		343639-9	CENTER PLATE	1				
044		344380-7	CENTER COVER	1				
045		265324-3	HEX. FLANGE HEAD BOLT M8X12	1				
046		231593-8	TORSION SPRING 36	1				
047		416003-8	SAFETY COVER	1				
048		267136-0	FLAT WASHER 5	1				
049		911213-7	PAN HEAD SCREW M5X12	1			B0386	
049-1		922211-6	H.S.H.BOLT M5X12 WITH W	1	<	B0386		
050		265985-9	HEX.SOCKET HEAD BOLT M6	1				
051		911223-4	PAN HEAD SCREW M5X16	2				
052		251961-9	H.S.SET SCREW(FLAT POINT)M6X10	1				
053		257162-7	RING 7	1				
054		253823-7	FLAT WASHER 7	1				
055		265984-1	HEX.SOCKET BUTTON HEAD BOLT M6	1				
056		344377-6	LINK PLATE	1				
057		265984-1	HEX.SOCKET BUTTON HEAD BOLT M6	1				
058		253823-7	FLAT WASHER 7	1				
059		257162-7	RING 7	1				
060		233152-4	COMPRESSION SPRING 28	1				
061		344464-1	SPRING HOLDER	1				
062		256280-8	PIN 8	1				
064		256836-7	ROD 16	1				
065		322317-4	STOPPER PIN	1				
066		213021-5	O RING 5	1				
067		922557-0	HEX. SOCKET HEAD BOLT M10X35	2				
068		942251-8	SPRING WASHER 10	2				
069		317027-6	ARM	1			70207	
069-1		317027-6	ARM	1	O	70207		
070		256040-8	PIN 5	1				
071		253762-1	FLAT WASHER 8	1				
072		252105-4	HEX. LOCK NUT M8-13	1				
073		416001-2	KERF BOARD	1				
074		416001-2	KERF BOARD	1				
075		921461-0	HEX. BOLT M8X40	4				
076		317029-2	GUIDE FENCE	1			70207	
076-1		317029-2	GUIDE FENCE	1	O	70207		
077		317028-4	TURN BASE	1				
078		150585-7	BASE COMPLETE	1			70207	
	C10	816311-1	MITER SCALE PLATE	1			70207	
	C20	817837-6	CAUTION LABEL	1			70207	
	C30	817283-3	CAUTION LABEL	2			70207	
078-1		150585-7	BASE COMPLETE	1	O	70207		
	C10	816311-1	MITER SCALE PLATE	1		70207		
	C20	817837-6	CAUTION LABEL	1		70207		
	C30	817283-3	CAUTION LABEL	2		70207		
079		344381-5	KNOCK SPRING	1				

Interchange
O : Yes
X : No
< : the new part can be substituted for the current.
> : the current part can be substituted for the new.
S : Interchangeable as a set.

