



VN	VIETNAM
----	---------

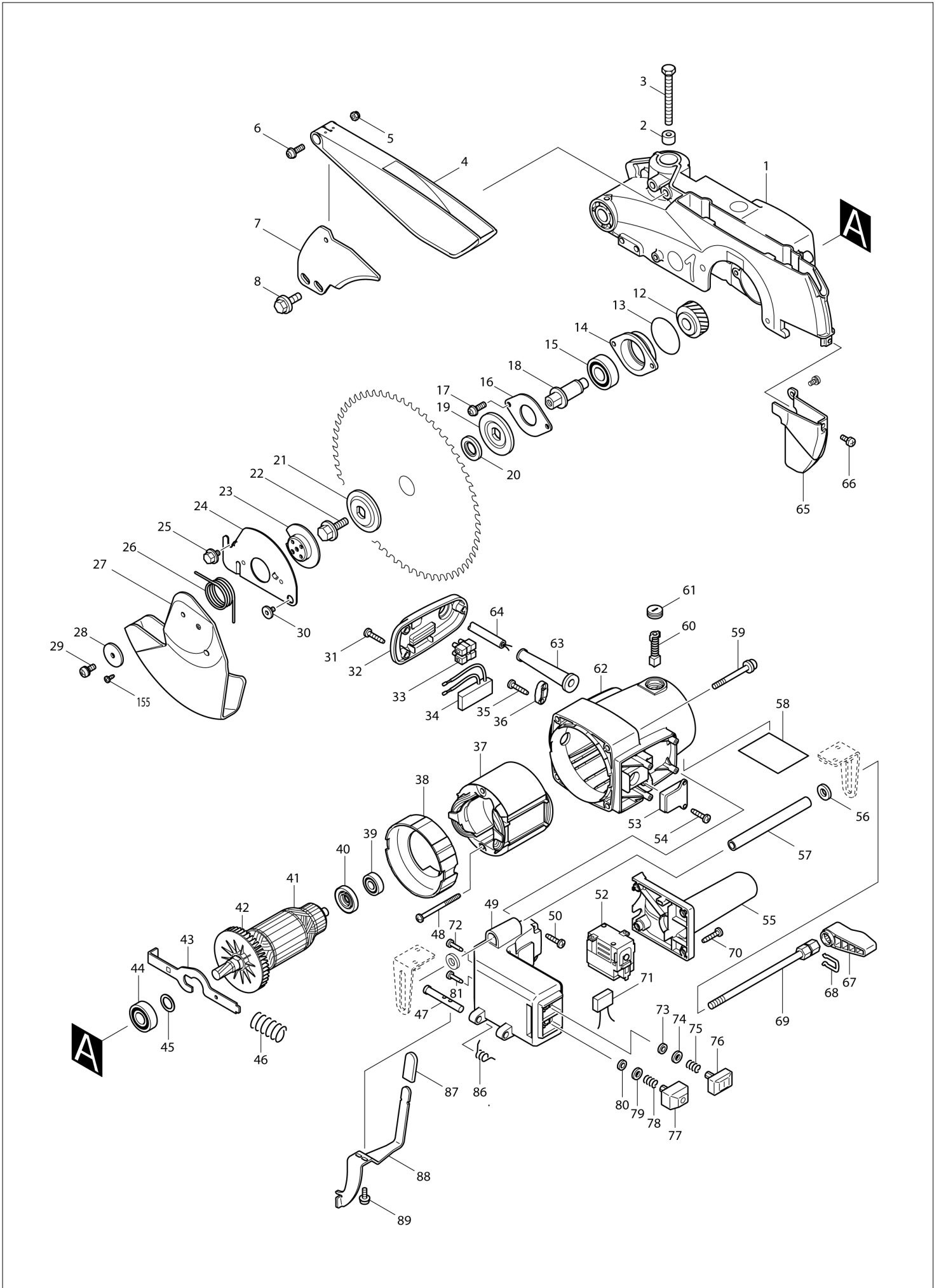
Diagram / Parts List

LH1040

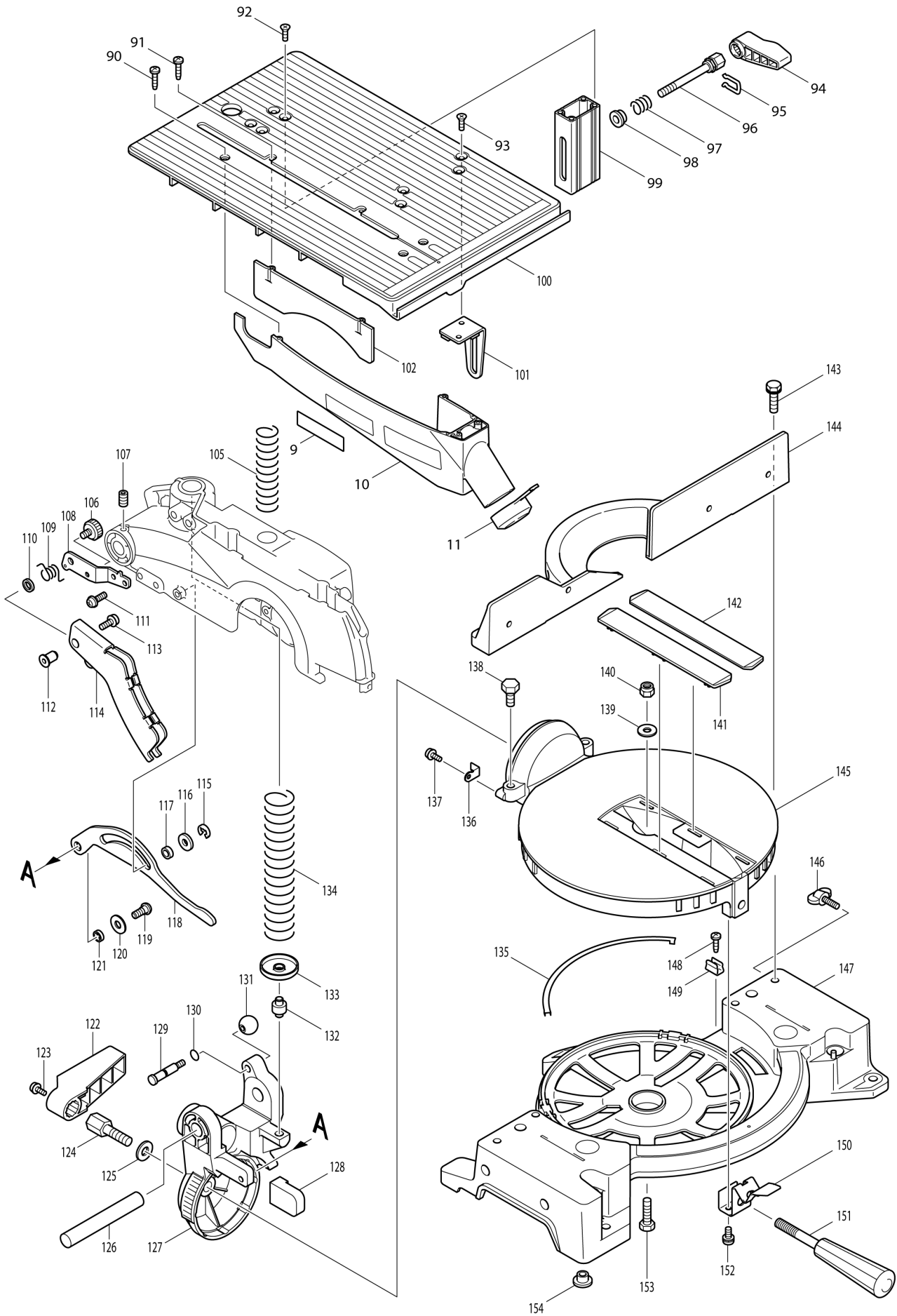
TABLE TOP MITER SAW 260MM



(VN) LH1040 / TABLE TOP MITER SAW 260MM



(VN) LH1040 / TABLE TOP MITER SAW 260MM



VN	VIETNAM
-----------	----------------

LH1040 / TABLE TOP MITER SAW 260MM

Item	Sub	Parts No.	Parts Description	Qty	I/C	E/C No.	Close No.	Remark
001		153993-1	BLADE CASE COMPLETE	1			91366	
	C10	263005-3	RUBBER PIN 6	1			91366	
	C20	810968-0	CAUTION LABEL	1			91366	
	C30	817667-5	CAUTION LABEL	1			91366	
001-1		141142-2	BLADE CASE COMPLETE	1	O	91366	93720	
	C10	263005-3	RUBBER PIN 6	1		91366	93720	
	C20	810968-0	CAUTION LABEL	1		91366	93720	
	C30	817667-5	CAUTION LABEL	1		91366	93720	
001-2		141629-4	BLADE CASE COMPLETE	1	<	93720	A5761	
	C10	263005-3	RUBBER PIN 6	1		93720	A5761	
	C20	810968-0	CAUTION LABEL	1		93720	A5761	
	C30	817667-5	CAUTION LABEL	1		93720	A5761	
001-3		142818-4	BLADE CASE COMPLETE	1	<	A5761		
	C10	263005-3	RUBBER PIN 6	1		A5761		
	C20	810968-0	CAUTION LABEL	1		A5761		
	C30	817667-5	CAUTION LABEL	1		A5761		
002		262511-5	RUBBER SLEEVE 6	1				
003		251667-9	HEX. BOLT M8X75	1				
004		154521-5	COVER COMPLETE	1			91366	
	C10	817283-3	CAUTION LABEL	1			91366	
004-1		141144-8	COVER COMPLETE	1	O	91366		
	C10	817283-3	CAUTION LABEL	1		91366		
	C20	890408-4	CAUTION LABEL	1		92336		
005		252103-8	HEX. LOCK NUT M5-8	1				
006		911223-4	PAN HEAD SCREW M5X16	1				
007		345423-8	RIVING KNIFE	1				
008		251644-1	HEX. FLANGE HEAD BOLT M8X20	2				
009		819064-1	MAKITA MARK	1				
010		183881-8	UNDER GUARD L	1			91366	
	C10	810063-6	CAUTION LABEL	1			91366	
	D10		INC. 9				91366	
010-1		187136-3	UNDER GUARD L	1	O	91366		
	C10	810063-6	CAUTION LABEL	1		91366		
	D10		INC. 9			91366		
011		421362-7	CAP	1				
012		226465-0	HELICAL GEAR 42	1				
013		213621-1	O RING 46	1				
014		316821-3	BEARING BOX	1				
015		211256-2	BALL BEARING 6203LLB	1				
016		285685-5	BEARING RETAINER 64	1				
017		911223-4	PAN HEAD SCREW M5X16	2				
018		322865-3	SPINDLE	1				
019		224333-1	FLANGE 53	1				
020		257060-5	RING 15.8	1				
021		224333-1	FLANGE 53	1				
022		265355-2	HEX. FLANGE HEAD BOLT M8X20	1				
023		343639-9	CENTER PLATE	1				
024		344380-7	CENTER COVER	1			91366	
024-1		346516-4	CENTER COVER	1	O	91366		
025		265324-3	HEX. FLANGE HEAD BOLT M8X12	1				
026		231593-8	TORSION SPRING 36	1				
027		418625-0	SAFETY COVER	1			91366	
027-1		453026-5	SAFETY COVER	1	O	91366		
028		267136-0	FLAT WASHER 5	1				
029		911213-7	PAN HEAD SCREW M5X12	1			B0386	
029-1		922211-6	H.S.H.BOLT M5X12 WITH W	1	<	B0386		
030		265985-9	HEX.SOCKET HEAD BOLT M6	1				
031		265995-6	TAPPING SCREW 4X18	3				
032		418620-0	HOUSING COVER	1				
033		654561-8	TERMINAL BLOCK	1				
034		631613-2	SOFT START CIRCUIT	1				
035		265995-6	TAPPING SCREW 4X18	2				
036		687053-2	STRAIN RELIEF	1			Z9722	
036-1		687140-7	STRAIN RELIEF	1	O	Z9722		
037		596268-9	FIELD ASS'Y 220-240V	1				

Interchange
O : Yes
X : No
< : the new part can be substituted for the current.
> : the current part can be substituted for the new.
S : Interchangeable as a set.

VN	VIETNAM
-----------	----------------

LH1040 / TABLE TOP MITER SAW 260MM

Item	Sub	Parts No.	Parts Description	Qty	I/C	E/C No.	Close No.	Remark
	C10	654020-2	RING TERMINAL	2				
	C20	654502-4	CONNECTOR P-2	2				
038		418621-8	BAFFLE PLATE	1				
039		211061-7	BALL BEARING 6000LLB	1				
040		681640-9	INSULATION WASHER	1			C9046	
040-1		681640-9	INSULATION WASHER	1	O	C9046		
041		516718-8	ARMATURE ASS'Y 220V	1			C9046	
	D10		INC. 39,40,42,44,45				C9046	
041-1		516718-8	ARMATURE ASS'Y 220V	1	O	C9046		
	D10		INC. 39,40,42,44,45				C9046	
042		241909-9	FAN 80	1				
043		343641-2	SHAFT LOCK	1				
044		211206-7	BALL BEARING 6202LLB	1				
045		267280-3	FLAT WASHER 15	1				
046		231297-2	COMPRESSION SPRING 9	1				
047		324496-4	LOCK PIN 8	1				
048		266029-8	TAPPING SCREW 5X65	2				
049		418629-2	SWITCH BOX	1				
050		265995-6	TAPPING SCREW 4X18	4				
052		652772-9	RELAY 305.232.01	1				
053		153996-5	CLAMP PLATE COMPLETE	1				
054		266020-6	TAPPING SCREW 4X12	2				
055		153995-7	HANDLE COMPLETE	1				
056		941201-0	FLAT WASHER 8	2				
057		331683-8	PIPE 9-126	1				
058		860807-4	NAME PLATE LH1040	1			Z9722	
058-1		864415-3	LH1040 NAME PLATE	1	O	Z9722		
059		911383-2	PAN HEAD SCREW M6X60	4				
060		A-81240	CARBON BRUSH CB-153A	1			83185	
060-1		B-80117	CARBON BRUSH SET CB-153A	1	O	83185	85070	
060-2		B-80329	CARBON BRUSH SET CB-153A	1	<	85070		
061		643650-4	BRUSH HOLDER CAP 6.5-13.5	2			B0305	
061-1		643650-4	BRUSH HOLDER CAP 6.5-13.5	2	O	B0305		
062		153994-9	MOTOR HOUSING COMPLETE	1			Z9722	
	C10	643660-1	BRUSH HOLDER 6.5-13.5	2			Z9722	
062-1		158561-5	MOTOR HOUSING COMPLETE	1	O	Z9722		
	C10	643653-8	BRUSH HOLDER 6.5-13.5	2		Z9722	C3359	
	C11	643536-2	BRUSH HOLDER 6.5X13.5	2	<	C3359		
063		682504-0	CORD GUARD 10-85	1				
064		691015-4	POWER SUPPLY CORD 0.75-2-2.5	1				
065		165389-4	BLADE GUARD	1			91366	
065-1		165659-1	BLADE GUARD	1	O	91366		
066		911206-4	PAN HEAD SCREW M5X10	2				
067		272230-5	LEVER 54	1				
068		231955-0	RING SPRING 12	1				
069		331682-0	LOCK BOLT M8X150	1				
070		265995-6	TAPPING SCREW 4X18	4				
072		418618-7	PIN	1				
073		443103-1	FELT RING 6	1				
074		253186-1	FLAT WASHER 7	1				
075		231025-5	COMPRESSION SPRING 8	1				
076		418616-1	SWITCH BUTTON ON	1				
077		418617-9	SWITCH BUTTON OFF	1				
078		231025-5	COMPRESSION SPRING 8	1				
079		253186-1	FLAT WASHER 7	1				
080		443103-1	FELT RING 6	1				
081		418618-7	PIN	1				
086		231674-8	TORSION SPRING 9	1				
087		421589-9	CAP	1				
088		345427-0	LOCK LEVER	1				
089		911113-1	PAN HEAD SCREW M4X10 WITH WR	2				
090		265995-6	TAPPING SCREW 4X18	3				
091		265995-6	TAPPING SCREW 4X18	2				
092		912222-9	COUNTERSUNK HEAD SCREW M5X16	4				
093		912222-9	COUNTERSUNK HEAD SCREW M5X16	4				

Interchange
O : Yes
X : No
< : the new part can be substituted for the current.
> : the current part can be substituted for the new.
S : Interchangeable as a set.

VN	VIETNAM
-----------	----------------

LH1040 / TABLE TOP MITER SAW 260MM

Item	Sub	Parts No.	Parts Description	Qty	I/C	E/C No.	Close No.	Remark
094		272230-5	LEVER 54	1				
095		231955-0	RING SPRING 12	1				
096		331681-2	LOCK BOLT M8X70	1				
097		233042-1	COMPRESSION SPRING 14	1				
098		257675-8	SLEEVE 8	1				
099		317779-9	TABLE SUPPORT	1				
100		153992-3	TABLE COMPLETE	1			93720	
	C10	816818-7	SCALE PLATE	1			93720	
100-1		141630-9	TABLE COMPLETE	1	<	93720		
	C10	816818-7	SCALE PLATE	1		93720		
101		165388-6	SUPPORT PLATE	2				
102		418619-5	UNDER GUARD R	1			91366	
102-1		453029-9	UNDER GUARD R	1	O	91366		
105		233415-8	COMPRESSION SPRING 21	1				
106		251812-6	SCREW M5X10	1				
107		251961-9	H.S.SET SCREW(FLAT POINT)M6X10	1				
108		345425-4	GUARD HOLDER	1				
109		231675-6	TORSION SPRING 11	1				
110		267070-4	FLAT WASHER 10	1				
111		911223-4	PAN HEAD SCREW M5X16	2				
112		324497-2	GUARD SHAFT	1				
113		911223-4	PAN HEAD SCREW M5X16	1				
114		345426-2	GUARD	1				
115		961018-5	STOP RING E-5	1				
116		253804-1	FLAT WASHER 6	1				
117		257163-5	RING 6	1				
118		344377-6	LINK PLATE	1				
119		265984-1	HEX.SOCKET BUTTON HEAD BOLT M6	1				
120		253823-7	FLAT WASHER 7	1				
121		257162-7	RING 7	1				
122		416006-2	LEVER 100	1				
123		911113-1	PAN HEAD SCREW M4X10 WITH WR	1				
124		265437-0	HEX. BOLT M10	1				
125		253024-7	FLAT WASHER 10	1				
126		256836-7	ROD 16	1				
127		154463-3	ARM COMPLETE	1			91366	
127-1		141139-1	ARM COMPLETE	1	O	91366		
128		421867-7	CAP	1				
129		324183-5	STOPPER PIN	1				
130		213021-5	O RING 5	1				
131		271601-3	KNOB 20	1				
132		256280-8	PIN 8	1				
133		344464-1	SPRING HOLDER	1				
134		233414-0	COMPRESSION SPRING 27	1				
135		343799-7	SLIDE PLATE	3				
136		344385-7	POINTER	1				
137		911113-1	PAN HEAD SCREW M4X10 WITH WR	1				
138		265455-8	HEX. BOLT M8X28	2				
139		253762-1	FLAT WASHER 8	1				
140		252105-4	HEX. LOCK NUT M8-13	1				
141		418615-3	KERF BOARD	1			91366	
141-1		453028-1	KERF BOARD	1	O	91366		
142		418615-3	KERF BOARD	1			91366	
142-1		453028-1	KERF BOARD	1	O	91366		
143		265488-3	HEX. BOLT M8X30	4				
144		317782-0	GUIDE FENCE	1			91366	
144-1		318798-8	GUIDE FENCE	1	O	91366	93720	
144-2		318895-0	GUIDE FENCE	1	<	93720	A5761	
144-3		319200-4	GUIDE FENCE	1	<	A5761		
145		316824-7	TURN BASE	1			91366	
145-1		318800-7	TURN BASE	1	O	91366		
146		265708-5	THUMB SCREW M6X20	1				
147		153998-1	BASE COMPLETE	1			91366	
	C10	816311-1	MITER SCALE PLATE	1			91366	
	C20	810965-6	CAUTION LABEL	1			91366	

Interchange
O : Yes
X : No
< : the new part can be substituted for the current.
> : the current part can be substituted for the new.
S : Interchangeable as a set.

VN

VIETNAM

LH1040 / TABLE TOP MITER SAW 260MM

Item	Sub	Parts No.	Parts Description	Qty	I/C	E/C No.	Close No.	Remark
	C30	817283-3	CAUTION LABEL	2			91366	
147-1		141140-6	BASE COMPLETE	1	O	91366		
	C10	816311-1	MITER SCALE PLATE	1		91366		
	C20	810965-6	CAUTION LABEL	1		91366		
	C30	817283-3	CAUTION LABEL	2		91366		
148		266034-5	TAPPING SCREW CT 4X16	1				
149		232075-3	LEAF SPRING	1				
150		344381-5	KNOCK SPRING	1				
151		273495-2	GRIP 32	1				
152		911213-7	PAN HEAD SCREW M5X12	2				
153		921452-1	HEX. BOLT M8X30	1				
154		286212-1	CAP 20	4				
155		265954-0	TAPPING SCREW BIND PT3X8	1				
A01		122472-0	SET PLATE ASS'Y	1			74194	
	C10	251887-5	SCREW M6X10	1			74194	
A01-1		122472-0	SET PLATE ASS'Y	1	O	74194		
	C10	251887-5	SCREW M6X10	1		74194		
A02		122523-9	DUST BAG ASS'Y	1			92854	
	C10	410602-8	FASTENER	1			92854	
A02-1		122852-0	DUST BAG ASS'Y	1	<	92854		
	C10	410602-8	FASTENER	1		92854		
A03		122707-9	RULER ASS'Y	1				
	C10	165392-5	RULE HOLDER	1				
	C20	251858-2	DIAL SCREW M6X15	1				
	C30	265730-2	THUMB SCREW M6X35	1				
	C40	345424-6	GUIDE PLATE	1				
	C50	345440-8	LOCK PLATE	1				
	C60	418662-4	RULE GUIDE	1				
	C70	911159-7	PAN HEAD SCREW M4X30	2				
	C80	941151-9	FLAT WASHER 6	1				
	C90	317793-5	RULER	1		Y04944		
A04		257022-3	RING 16	1				
A05		762001-3	TRIANGULAR RULE	1				
A06		122716-8	SUB PLATE ASS'Y	1				
	C10	252148-6	SQUARE NUT M8	1				
	C20	921431-9	HEX. BOLT M8X20	1				
	C30	922206-9	HEX. SOCKET HEAD BOLT M5X10	2				
A07		322312-4	HOLDER	1				
A08		416772-1	PUSH STICK	1				
A09		418626-8	BLADE COVER	1			93720	
A09-1		453727-5	BLADE COVER	1	<	93720		
A11		782212-4	SOCKET WRENCH 13	1				
A12		A-81240	CARBON BRUSH CB-153A	2			Z9722	

Interchange

O : Yes

X : No

< : the new part can be substituted for the current.

> : the current part can be substituted for the new.

S : Interchangeable as a set.