



VN	VIETNAM
----	---------

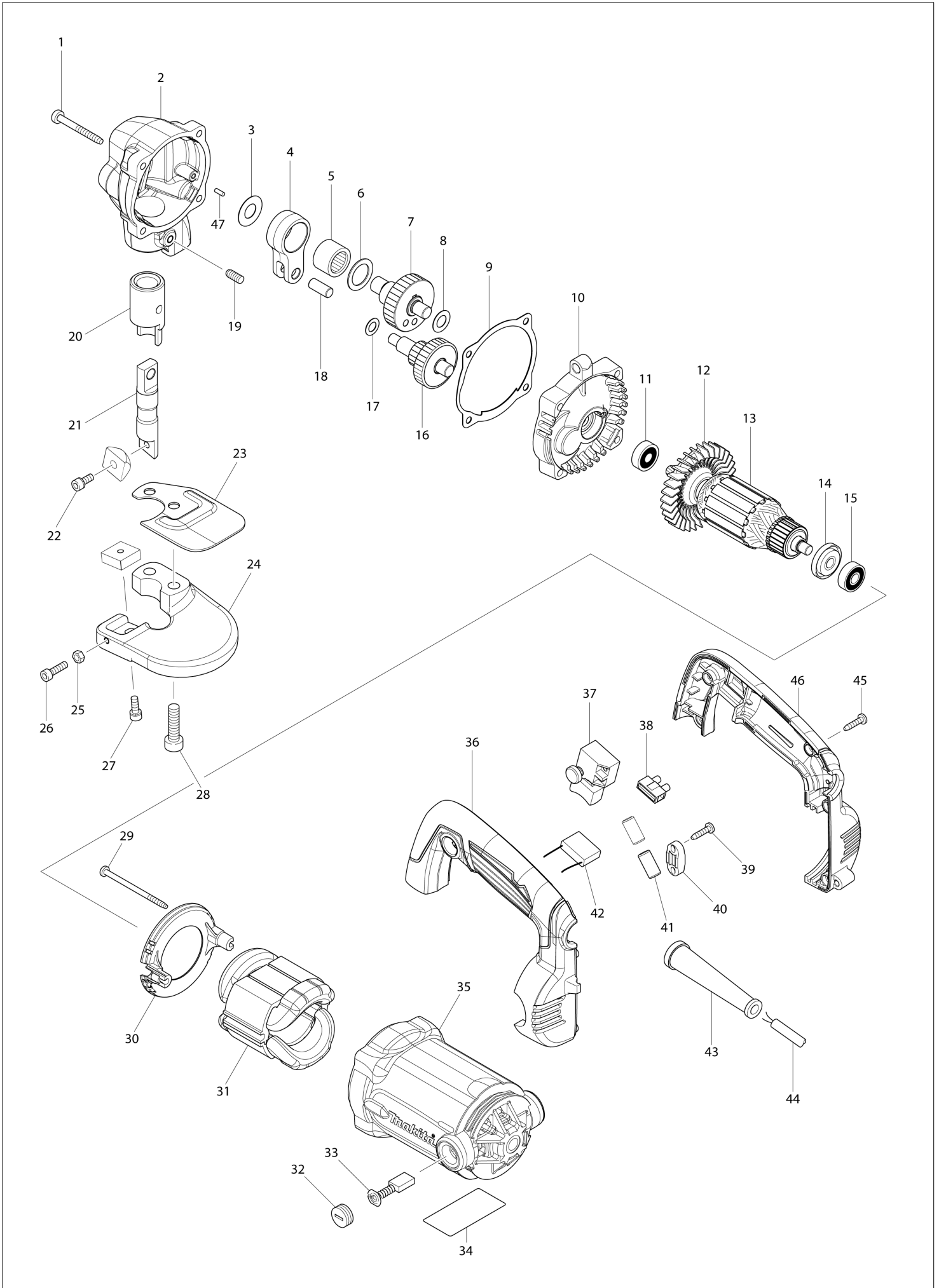
Diagram / Parts List

JS3201

3.2MM METAL SHEAR



(VN) JS3201 / 3.2MM METAL SHEAR



VN	VIETNAM
-----------	----------------

JS3201 / 3.2MM METAL SHEAR

Item	Sub	Parts No.	Parts Description	Qty	I/C	E/C No.	Close No.	Remark
001		266056-5	TAPPING SCREW 5X45	4				
002		141795-7	GEAR HOUSING COMPLETE	1				
	C10	800S40-0	INDICATION LABEL	1				
003		253759-0	FLAT WASHER 12	1				
004		331166-8	ROD	1				
005		212252-3	NEEDLE BEARING 1816	1				
006		253198-4	FLAT WASHER 18	1				
007		153141-2	CRANK SHAFT COMPLETE	1				
	C10	221879-8	SPUR GEAR 41	1				
	C20	254011-9	WOODRUFF KEY 4	1				
008		253311-4	THIN WASHER 10	1				
009		442186-8	GASKET	1			98882	
009-1		442186-8	GASKET	1	O	98882		
010		141796-5	GEAR HOUSING COVER COMPLETE	1				
	C10	263002-9	RUBBER PIN 4	1				
011		211031-6	BALL BEARING 608LLB	1				
012		240094-5	FAN 70	1				
013		513858-3	ARMATURE ASS'Y 220V	1				
	D10		INC. 11,12,14,15					
014		681644-1	INSULATION WASHER	1				
015		210029-0	BALL BEARING 608ZZ	1				
016		226058-3	GEAR COMPLETE 18-46	1				
017		253215-0	FLAT WASHER 8	1				
018		256118-7	PIN 8	1				
019		913322-8	SET SCREW M6X14	1				
020		321405-4	METAL	1				
021		321404-6	BLADE HOLDER	1				
022		922216-6	HEX. SOCKET HEAD BOLT M5X14	1				
023		346641-1	PROTECTOR	1				
024		331165-0	YOKE	1				
025		931203-4	HEX. NUT M5	1				
026		922227-1	HEX. SOCKET HEAD BOLT M5X18	1				
027		922216-6	HEX. SOCKET HEAD BOLT M5X14	1				
028		922452-4	HEX. SOCKET HEAD BOLT M8X30	2				
029		266340-8	TAPPING SCREW 4X65	2				
030		454140-0	BAFFLE PLATE	1				
031		525868-8	FIELD ASS'Y 220V	1				
	C10	654020-2	RING TERMINAL	2				
	C20	654501-6	CONNECTOR P-1.25	2				
032		643750-0	BRUSH HOLDER CAP 7-11	2			B4206	
032-1		643515-0	HOLDER CAP 7-11	2	O	B4206		
033		B-80379	CARBON BRUSH SET CB-303A	1				
034		814C79-1	JS3201 NAME PLATE	1				
035		158278-0	MOTOR HOUSING COMPLETE	1				
	C10	643708-9	BRUSH HOLDER 5-11	2				
036		187531-7	HANDLE SET	1				
	D10		INC. 46					
037		651284-9	SWITCH SGEL115CDY-6	1				
039		266326-2	TAPPING SCREW 4X18	2				
040		687053-2	STRAIN RELIEF	1				
043		682505-8	CORD GUARD 10-90	1				
044		691015-4	POWER SUPPLY CORD 0.75-2-2.5	1				
045		266326-2	TAPPING SCREW 4X18	5				
046		187531-7	HANDLE SET	1				
	D10		INC. 36					
047		256255-7	PIN 3	1				
A01		792287-5	SHEAR BLADES SET	1				
A02		762007-1	THICKNESS GAUGE	1				
A03		783202-0	HEX. WRENCH 4	1				

Interchange
O : Yes
X : No
< : the new part can be substituted for the current.
> : the current part can be substituted for the new.
S : Interchangeable as a set.