



VN	VIETNAM
----	---------

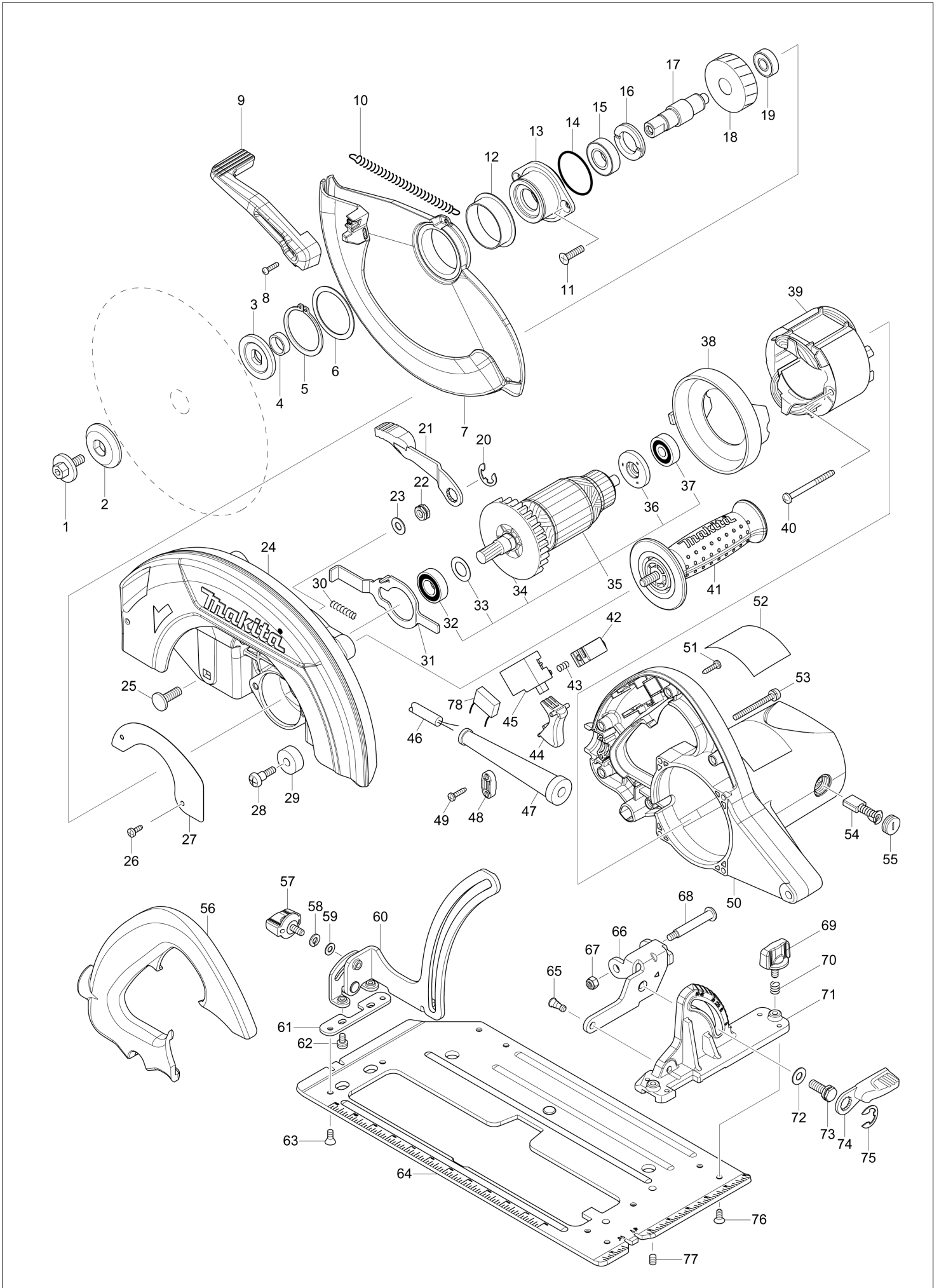
Diagram / Parts List

HS0600

260MM CIRCULAR SAW



(VN) HS0600 / 260MM CIRCULAR SAW



VN	VIETNAM
-----------	----------------

HS0600 / 260MM CIRCULAR SAW

Item	Sub	Parts No.	Parts Description	Qty	I/C	E/C No.	Close No.	Remark
001		251519-4	HEX.SOCKET HEX.BOLT M8X25	1				
002		224325-0	OUTER FLANGE 45	1				
003		224494-7	INNER FLANGE 45	1				
004		257279-6	RING 17	1				
005		961202-2	RETAINING RING S-45	1				
006		267219-6	FLAT WASHER 45	1				
007		319527-2	SAFETY COVER	1				
008		265178-8	PAN HEAD SCREW M4X16	1				
009		457318-4	LEVER 126	1				
010		232356-5	TENSION SPRING 6	1				
011		265031-8	+ COUNTERSUNK HEAD SCREW M6X2	2				
012		457317-6	SPACER	1				
013		319529-8	BEARING BOX	1				
014		213560-5	O RING 44	1			B7233	
014-1		213676-6	O RING 53	1	X	B7233		
015		210301-0	BALL BEARING 6003DDW	1				
016		285809-3	BEARING RETAINER 23-36	1				
017		326877-8	SPINDLE	1				
018		226523-2	HELICAL GEAR 39	1				
019		210141-6	BALL BEARING 6000DDW	1				
020		257953-6	BOW STOP RING E-12	1				
021		271432-0	LEVER 107	1				
022		252199-9	HEX. NUT M8-13	1				
023		941201-0	FLAT WASHER 8	1				
024		144284-1	BLADE CASE COMPLETE	1				
	C10	213459-4	O RING 32	1				
025		266396-1	FLATHEAD SQUARENECKBOLT M8X24	1				
026		266026-4	TAPPING SCREW BIND CT 4X12	2				
027		347123-6	COVER PLATE	1				
028		251518-6	+ PAN HEAD SCREW M6	1				
029		262007-6	RUBBER RING 8	1				
030		233264-3	COMPRESSION SPRING 5	1				
031		344844-1	SHAFT LOCK	1				
032		211236-8	BALL BEARING 6002DDW	1				
033		267164-5	FLAT WASHER 15	1				
034		240003-4	FAN 80	1				
035		516818-4	ARMATURE ASS'Y 220V	1				
	D10		INC. 32-34,36,37					
036		681630-2	INSULATION WASHER	1				
037		211066-7	BALL BEARING 6200LLB	1				
038		417114-2	BAFFLE PLATE	1				
039		596208-7	FIELD ASS'Y 220V	1				
	C10	654020-2	RING TERMINAL	2				
	C20	654502-4	CONNECTOR P-2	2				
040		266044-2	TAPPING SCREW 5X60	2				
041		144285-9	GRIP 36 COMPLETE	1				
042		417116-8	LOCK-ON BUTTON	1				
043		233284-7	COMPRESSION SPRING 5	1				
044		417115-0	SWITCH LEVER	1				
045		651984-1	SWITCH TG71B-2	1				
046		691015-4	POWER SUPPLY CORD 0.75-2-2.5	1				
047		682564-2	CORD GUARD	1				
048		687140-7	STRAIN RELIEF	1				
049		266326-2	TAPPING SCREW 4X18	2				
050		151848-4	MOTOR HOUSING COMPLETE	1				
	C10	643653-8	BRUSH HOLDER 6.5-13.5	2				
051		266326-2	TAPPING SCREW 4X18	5				
052		852Y38-9	HS0600 NAME PLATE	1				
053		911273-9	PAN HEAD SCREW M5X50	4				
054		B-80329	CARBON BRUSH SET CB-153A	1				
055		643650-4	BRUSH HOLDER CAP 6.5-13.5	2				
056		417118-4	HANDLE COVER	1				
057		265798-8	THUMB SCREW M6X14	1				
058		942151-2	SPRING WASHER 6	1			C3118	
058-1		253428-3	SPRING WASHER 6	1	O	C3118	D1189	

Interchange
O : Yes
X : No
< : the new part can be substituted for the current.
> : the current part can be substituted for the new.
S : Interchangeable as a set.

