



VN	VIETNAM
----	---------

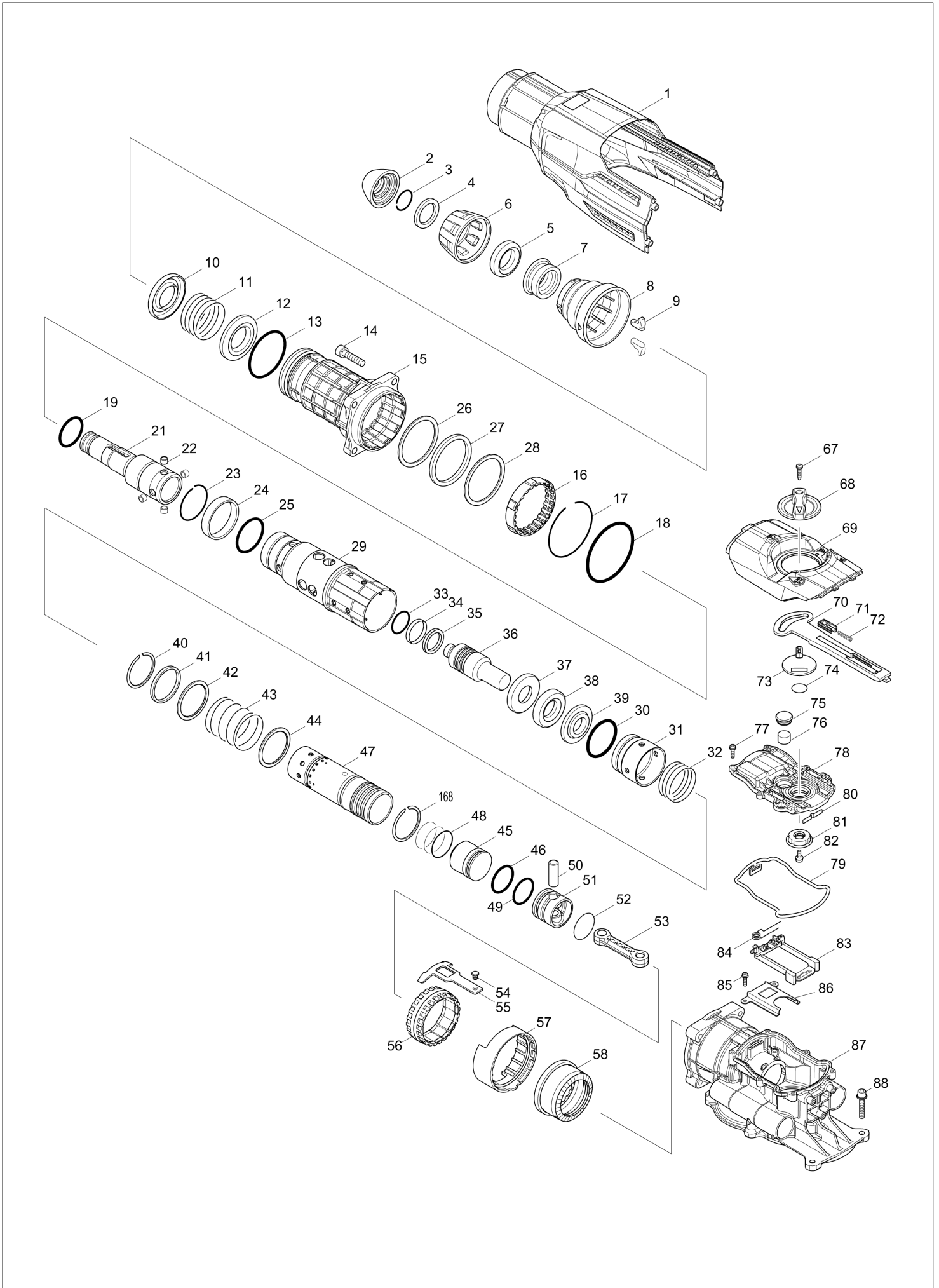
# Diagram / Parts List

**HR5212C**

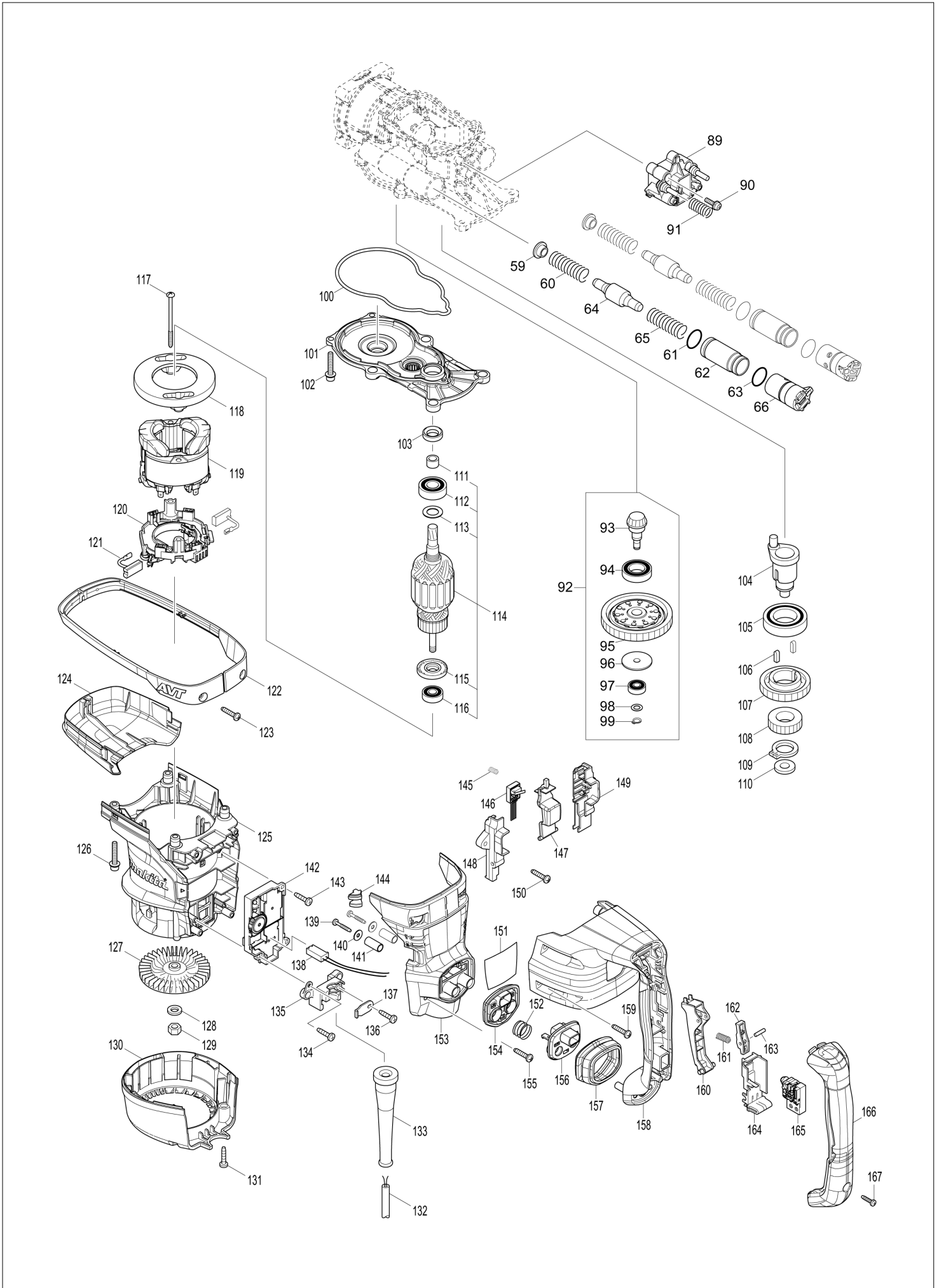
**ROTARY HAMMER 52MM**



(VN) HR5212C / ROTARY HAMMER 52MM



# (VN) HR5212C / ROTARY HAMMER 52MM



<b>VN</b>	<b>VIETNAM</b>
-----------	----------------

### HR5212C / ROTARY HAMMER 52MM

Item	Sub	Parts No.	Parts Description	Qty	I/C	E/C No.	Close No.	Remark
001		142411-4	HOUSING COVER A COMPLETE	1				
	C10	810100-6	CAUTION LABEL	1				
002		286292-7	TOOL HOLDER CAP	1				
003		233948-3	RING SPRING 25	1				
004		257367-9	RING 28	1				
005		262172-1	RUBBER RING 29	1				
006		454767-6	CHUCK COVER	1				
007		324752-2	CHUCK RING	1				
008		454768-4	RELEASE COVER	1				
009		310178-4	TOOL RETAINER	2				
010		346751-4	SPRING GUIDE	1				
011		234317-1	COMPRESSION SPRING 49	1				
012		346751-4	SPRING GUIDE	1				
013A		213674-0	O-RING 60	1			A5133	
013-1A		213664-3	O RING 60	1	O	A5133		
013-1B		213664-3	O RING 60	1				
014		922456-6	HEX. SOCKET HEAD BOLT M8X35	4				
015		142408-3	BARREL COMPLETE	1				
	C10	213663-5	O RING 55	1				
	C20	213778-8	OIL SEAL 42	1				
	C30	214603-6	PLANE BEARING 49	1				
	C40	259056-2	RING SPRING 54	1				
016		454769-2	LOCK SLEEVE	1				
017		259057-0	RING SPRING 74	1				
018		213766-5	O-RING 78	1				
019		213789-3	O-RING 38	1				
021		326361-3	TOOL HOLDER A	1				
022		268308-0	PIN 9	4				
023		231989-3	RING SPRING 46	1				
024		257353-0	RING 49	1				
025		213779-6	O-RING 45	1				
026		267477-4	FLAT WASHER 60	1				
027		262171-3	RUBBER RING 60	1				
028		267477-4	FLAT WASHER 60	1				
029		326362-1	TOOL HOLDER B	1				
030		213783-5	O-RING 48	1				
031		454761-8	SLIDE SLEEVE	1				
032		234318-9	COMPRESSION SPRING 45	1				
033A		213811-6	O-RING 26.5	1			C6156	
033-1A		213811-6	O-RING 26.5	3	S	C6156		
033-1B		213811-6	O-RING 26.5	3				
034A		213780-1	FLUORIDE RING 32.5	1			C6156	
034-1A		213780-1	FLUORIDE RING 32.5	3	S	C6156		
034-1B		213780-1	FLUORIDE RING 32.5	3				
035A		213776-2	X-RING 26	1			C6156	
036A		326374-4	IMPACT BOLT	1			C6156	
036-1A		327245-8	IMPACT BOLT	1	S	C6156	D3063	
036-2A		327245-8	IMPACT BOLT	1	O	D3063		
036-2B		327245-8	IMPACT BOLT	1				
037		257354-8	RING 23	1				
038		262173-9	RUBBER RING 24	1				
039		267856-6	SHOULDER WASHER 23	1				
040		257994-2	RETAINING RING(EXT)WR-44	1				
041		257355-6	RING 44	1				
042		267478-2	FLAT WASHER 44	1				
043		234319-7	COMPRESSION SPRING 46	1				
044		267478-2	FLAT WASHER 44	1				
045		326377-8	STRIKER	1				
046		213781-9	O-RING 33	1				
047		332093-2	CYLINDER 40	1				
048		213460-9	O RING 35	3				
049		213782-7	O-RING 30	1				
050		257820-5	SLEEVE 9	1				
051		319097-1	PISTON	1			DC431	
051-1		312A68-3	PISTON	1	<	DC431		

A:HR5212C(H)  
B:HR5212C(H)

Interchange  
O : Yes  
X : No  
< : the new part can be substituted for the current.  
> : the current part can be substituted for the new.  
S : Interchangeable as a set.

<b>VN</b>	<b>VIETNAM</b>
-----------	----------------

### HR5212C / ROTARY HAMMER 52MM

Item	Sub	Parts No.	Parts Description	Qty	I/C	E/C No.	Close No.	Remark
052		213460-9	O RING 35	1				
053		454765-0	CONNECTING ROD	1				
054		256548-2	FLAT FILLISTER HEAD PIN 6	1				
055		346749-1	LINK PLATE	1				
056		313272-1	DRIVING SLEEVE	1				
057		454779-9	GUIDE RING	1				
058		227625-7	SPIRAL BEVEL GEAR 33	1				
059		454774-9	SPRING PLATE	2				
060		233497-0	COMPRESSION SPRING 15	2				
061		213953-6	O RING 24	2				
062		332092-4	PIPE 21.5	2			D8102	
063		213953-6	O RING 24	2				
064		326375-2	COUNTER WEIGHT	2				
065		233497-0	COMPRESSION SPRING 15	2				
066		454773-1	HOLDER 15	2			D8102	
066-1		141E52-3	HOLDER COMPLETE	2	S	D8102		
067		265995-6	TAPPING SCREW 4X18	1				
068		454326-6	CHANGE LEVER	1				
069		319082-4	CRANK CAP COVER	1				
070		454770-7	CONTROL PLATE	1				
071		454771-5	SLIDE PLATE	1				
072		234284-0	COMPRESSION SPRING 4	1				
073		454345-2	CRANK LEVER	1				
074		213262-3	O RING 18	1				
075		424607-2	FILTER CAP	1				
076		443129-3	FILTER	1				
077		911128-8	P.H.SCREW M4X16 WITH WR	6				
078		454764-2	CRANK CAP	1				
079		424608-0	SEAL RING B	1			DA468	
079-1		422787-8	SEAL RING B	1	<	DA468		
080		232280-2	LEAF SPRING	1				
081		454766-8	LINK LEVER	1				
082		911511-9	PAN HEAD SCREW M4X10	1				
083		454778-1	LINK GUIDE	1				
084		233611-8	TORSION SPRING 7	1				
085		911128-8	P.H.SCREW M4X16 WITH WR	2				
086		346748-3	GUIDE RAIL	1				
087		142406-7	CRANK HOUSING A COMPLETE	1			DA468	
087-1		141H07-6	CRANK HOUSING A COMPLETE	1	<	DA468		
088		922359-4	H.S.H.BOLT M6X35 WITH WG	2				
089		454777-3	BASE A	1				
090		911233-1	PAN HEAD SCREW M5X20	3				
091		234320-2	COMPRESSION SPRING 12	2				
092		126476-4	TORQUE LIMITER ASSEMBLY	1				
	D10		INC. 93-99					
093		227628-1	SPIRAL BEVEL GEAR 10	1				
094		211323-3	BALL BEARING 6904LLU	1				
095		142410-6	TORQUE LIMITER COMPLETE	1				
096		324727-1	SHOULDER WASHER 8	1				
097		210005-4	BALL BEARING 608DDW	1				
098		253215-0	FLAT WASHER 8	1				
099		961004-6	RETAINING RING S-8	1				
100		424609-8	SEAL RING A	1			DA468	
100-1		422786-0	SEAL RING A	1	<	DA468		
101		142409-1	GEAR HOUSING COMPLETE	1				
102		922359-4	H.S.H.BOLT M6X35 WITH WG	2				
103		213231-4	OIL SEAL 15	1				
104A		326376-0	CRANK SHAFT	1			C0813	
104-1A		327142-8	CRANK SHAFT	1	<	C0813		
104-1B		327142-8	CRANK SHAFT	1				
105		211418-2	BALL BEARING 6006LLU	1				
106		254229-2	KEY 5	2				
107		227788-9	HELICAL GEAR 46	1				
108		227336-4	SPUR GEAR 26	1				
109		961102-6	RETAINING RING S-22	1				

A:HR5212C(H)  
B:HR5212C(H)

Interchange  
O : Yes  
X : No  
< : the new part can be substituted for the current.  
> : the current part can be substituted for the new.  
S : Interchangeable as a set.

<b>VN</b>	<b>VIETNAM</b>
-----------	----------------

### HR5212C / ROTARY HAMMER 52MM

Item	Sub	Parts No.	Parts Description	Qty	I/C	E/C No.	Close No.	Remark
110		253843-1	FLAT WASHER 12	1				
111		331596-3	SLEEVE 12	1				
112		211238-4	BALL BEARING 6202LLU	1				
113		267215-4	FLAT WASHER 15	1				
114		517898-3	ARMATURE ASS'Y 220-240V	1				
	D10		INC. 111-113,115,116					
115		681642-5	INSULATION WASHER	1				
116		210059-1	BALL BEARING 6000DDW	1				
117		266568-8	TAPPING SCREW 5X80	2				
118		454772-3	BAFFLE PLATE	1				
119		636303-2	FIELD 220-240V	1				
120		632B59-7	BRUSH HOLDER UNIT	1				
121		195845-0	CARBON BRUSH CB-175	1				
122		454780-4	GUARD 52	1				
123		266041-8	TAPPING SCREW 5X25	2				
124		454763-4	GEAR HOUSING COVER	1				
125		454757-9	MOTOR HOUSING	1				
126		922359-4	H.S.H.BOLT M6X35 WITH WG	2			D9260	
126-1		922359-4	H.S.H.BOLT M6X35 WITH WG	2	O	D9260		
127		240016-5	FAN 90	1				
128		253165-9	FLAT WASHER 8	1				
129		252178-7	HEX. NUT M8-12	1				
130		454762-6	REAR COVER	1				
131		266041-8	TAPPING SCREW 5X25	2				
132		691025-1	POWER SUPPLY CORD 0.75-2-5.0	1				
133		682560-0	CORD GUARD 10	1				
134		265995-6	TAPPING SCREW 4X18	1				
135		419024-9	CORD CLAMP BASE	1				
136		265995-6	TAPPING SCREW 4X18	1				
137		687169-3	STRAIN RELIEF	1				
138		632C15-3	LEAD UNIT	1				
139		266041-8	TAPPING SCREW 5X25	2				
140		253194-2	FLAT WASHER 5	2				
141		257813-2	SLEEVE 9	2				
142		620249-2	CONTROLLER	1				
143		265995-6	TAPPING SCREW 4X18	1				
144		454346-0	LENS	1				
145		234281-6	COMPRESSION SPRING 6	1				
146		632A83-4	SWITCH UNIT	1				
147		454336-3	SWITCH LEVER C	1				
148		187890-9	SWITCH CASE SET	1				
	D10		INC. 149					
149		187890-9	SWITCH CASE SET	1				
	D10		INC. 148					
150		266041-8	TAPPING SCREW 5X25	2				
151		815W21-5	HR5212C NAME PLATE	1				
152		234283-2	COMPRESSION SPRING 18.5	2				
153		454758-7	HANDLE BASE	1				
154		454343-6	DUST SUPPORT A	1				
155		266041-8	TAPPING SCREW 5X25	2				
156		454344-4	DUST SUPPORT B	1				
157		424557-1	DUST COVER	1				
158		454759-5	HANDLE A	1				
159		266041-8	TAPPING SCREW 5X25	4				
160		454332-1	SWITCH LEVER A	1				
161		234285-8	COMPRESSION SPRING 7	1				
162		454327-4	SUB LEVER	1				
163		268309-8	PIN	1				
164		154626-1	SWITCH HOLDER COMPLETE	1				
165		650678-5	SWITCH C3PA-1121	1				
166		454760-0	HANDLE COVER	1				
167		265995-6	TAPPING SCREW 4X18	1				
168		257994-2	RETAINING RING(EXT)WR-44	1				
A01		135283-4	SIDE HANDLE 90 ASSEMBLY	1				
	C10	252640-2	WING NUT M8	1				

A:HR5212C(H)  
B:HR5212C(H)

Interchange  
O : Yes  
X : No  
< : the new part can be substituted for the current.  
> : the current part can be substituted for the new.  
S : Interchangeable as a set.

