



VN	VIETNAM
----	---------

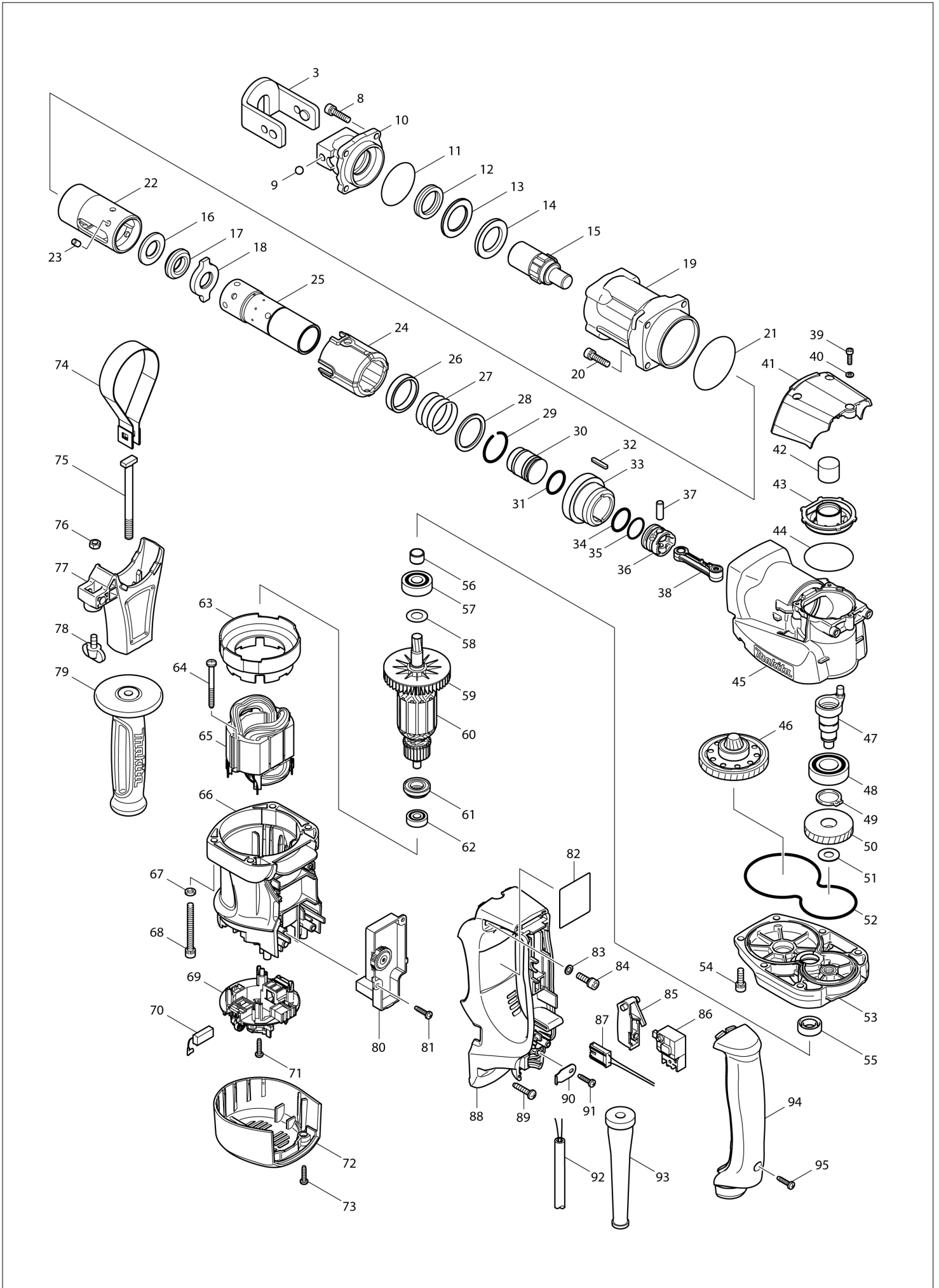
Diagram / Parts List

HR4030C

ROTARY HAMMER 40MM



(VN) HR4030C / ROTARY HAMMER 40MM



VN	VIETNAM
-----------	----------------

HR4030C / ROTARY HAMMER 40MM

Item	Sub	Parts No.	Parts Description	Qty	I/C	E/C No.	Close No.	Remark
003		165227-0	TOOL RETAINER	1				
008		265914-2	HEX. SOCKET HEAD BOLT M6X25	4				
009		216004-4	STEEL BALL 7.9	1				
010		324728-9	TOOL HOLDER	1				
011		213606-7	O RING 48	1				
012		213428-5	X RING 28	1				
013		261133-8	NYLON WASHER 29	1				
014		267338-8	FLAT WASHER 29	1				
015		324723-9	IMPACT BOLT	1				
016		324726-3	WASHER 17	1				
017		262119-5	RUBBER RING 18	1				
018		324724-7	SLIDE PLATE	1				
019		158117-4	BARREL COMPLETE	1				
020		266158-7	HEX. SOCKET HEAD BOLT M6X30	4				
021		213654-6	O RING 60	1				
022		331730-5	CYLINDER A	1				
023		256266-2	PIN 6	4				
024		419670-8	SLIDE SLEEVE	1				
025		331731-3	CYLINDER B	1				
026		331732-1	RING 34	1				
027		234016-5	COMPRESSION SPRING 35	1				
028		267339-6	FLAT WASHER 34	1				
029		233945-9	RING SPRING 32	1				
030		324725-5	STRIKER	1				
031		213962-5	O RING 22	1				
032		254231-5	KEY 4	2				
033		227508-1	SPIRAL BEVEL GEAR 27	1				
034		213962-5	O RING 22	1				
035		213379-2	O RING 21	1				
036		419004-5	PISTON	1				
037		256197-5	PIN 7	1				
038		419679-0	CONNECTING ROD	1				
039		266148-0	HEX. SOCKET HEAD BOLT M4X14	3			B8446	
039-1		251590-8	HEX. SOCKET HEAD BOLT M4X14	3	S	B8446		
040		941052-1	FLAT WASHER 4	3			B8446	
041		419672-4	CRANK CAP COVER	1				
042		443127-7	FILTER	1				
043		419671-6	CRANK CAP	1				
044		213604-1	O RING 50	1				
045		158118-2	CRANK HOUSING COMPLETE	1				
046		125375-7	TORQUE LIMITER ASS'Y	1				
047		324550-4	CRANK SHAFT	1				
048		211332-2	BALL BEARING 6004LLU	1				
049		961060-6	RETAINING RING S-20	1				
050		226642-4	HELICAL GEAR 38	1				
051		253180-3	FLAT WASHER 10	1				
052		421976-2	SEAL RING	1				
053		158119-0	GEAR HOUSING COMPLETE	1				
054		922331-6	HEX. SOCKET HEAD BOLT M6X20	2				
055		213231-4	OIL SEAL 15	1				
056		331596-3	SLEEVE 12	1				
057		211137-0	BALL BEARING 6201LLU	1				
058		253084-9	FLAT WASHER 12	1				
059		241863-7	FAN 70	1				
060		513693-9	ARMATURE ASS'Y 220-240V	1				
	D10		INC. 59,61,62					
061		681650-6	INSULATION WASHER	1				
062		210005-4	BALL BEARING 608DDW	1				
063		419673-2	BAFFLE PLATE	1				
064		266095-5	TAPPING SCREW 5X55	2				
065		625758-6	FIELD 220-240V	1				
066		419674-0	MOTOR HOUSING	1				
067		941151-9	FLAT WASHER 6	4			B8446	
068		922381-1	HEX. SOCKET HEAD BOLT M6X60	4			B8446	
068-1		922384-5	H.S.H.BOLT M6X60 WITH WG	4	S	B8446		

Interchange
O : Yes
X : No
< : the new part can be substituted for the current.
> : the current part can be substituted for the new.
S : Interchangeable as a set.

VN	VIETNAM
-----------	----------------

HR4030C / ROTARY HAMMER 40MM

Item	Sub	Parts No.	Parts Description	Qty	I/C	E/C No.	Close No.	Remark
069		638501-4	BRUSH HOLDER UNIT	1				
	C10	643816-6	BRUSH HOLDER	2				
	C20	266007-8	TAPPING SCREW BIND PT 3X10	4				
070		194160-9	CARBON BRUSH CB-350	1			85070	
070-1		195004-6	CARBON BRUSH SET CB-350	1	<	85070		
071		265995-6	TAPPING SCREW 4X18	4				
072		419675-8	REAR COVER	1				
073		265995-6	TAPPING SCREW 4X18	2				
074		345763-4	GRIP SPRING 66	1				
075		266406-4	SQUARE BOLT M8X95	1			79581	
075-1		266322-0	SQUARE BOLT M8X80	1	S	79581	91930	
075-2		266322-0	SQUARE BOLT M8X80	1	<	91930		
076		931302-2	HEX. NUT M6	1				
077		419678-2	SIDE GRIP BASE 66	1			79581	
077-1		450332-9	SIDE GRIP BASE 66	1	S	79581		
078		265701-9	THUMB SCREW M6X14	1				
079		158131-0	GRIP 36 COMPLETE	1				
080		631742-1	CONTROLLER	1				
081		265995-6	TAPPING SCREW 4X18	2			A2782	
081-1		266300-0	TAPPING SCREW 4X18	2	<	A2782		
082		863282-3	HR4030C NAME PLATE	1				
083		941152-7	FLAT WASHER 6	2			B8446	
084		922331-6	HEX. SOCKET HEAD BOLT M6X20	2			93893	
084-1		265905-3	HEX. SOCKET HEAD BOLT M6X20	2	<	93893	B8446	
084-2		251591-6	HEX. SOCKET HEAD BOLT M6X20	2	S	B8446		
085		418549-0	SWITCH LEVER	1				
086		651922-3	SWITCH TG71B	1			96540	
086-1		650677-7	SWITCH C3PA-1112	1	<	96540	99186	
086-2		651922-3	SWITCH TG71B	1	<	99186	A3631	
086-3		650677-7	SWITCH C3PA-1112	1	<	A3631		
087		638509-8	LEAD UNIT	1				
088		158263-3	HANDLE COMPLETE	1				
089		266041-8	TAPPING SCREW 5X25	2				
090		687169-3	STRAIN RELIEF	1				
091		265995-6	TAPPING SCREW 4X18	1				
092		691025-1	POWER SUPPLY CORD 0.75-2-5.0	1				
093		682560-0	CORD GUARD 10	1				
094		419677-4	HANDLE COVER	1				
095		265995-6	TAPPING SCREW 4X18	1				
A01		158280-3	PLASTIC CARRYING CASE COMPLETE	1			93695	
	C10	162202-7	LATCH	2			93695	
	C20	416549-4	HANDLE	1			93695	
	C30	416556-7	COVER	2			93695	
	C40	819140-1	MAKITA LOGO LABEL	1			93695	
	C50	810960-6	CAUTION LABEL	1			93695	
A01-1		824796-7	PLASTIC CARRYING CASE	1	<	93695		
	C10	162202-7	LATCH	2		93695		
	C20	416549-4	HANDLE	1		93695		
	C30	416556-7	COVER	2		93695		
	C40	819140-1	MAKITA LOGO LABEL	1		93695		
A02		321248-4	DEPTH GAUGE	1				
A03		805218-6	HR4030C MODEL NO.LABEL	1				
A04		194160-9	CARBON BRUSH CB-350	2			85070	
A04-1		195004-6	CARBON BRUSH SET CB-350	2	<	85070	87444	

Interchange
O : Yes
X : No
< : the new part can be substituted for the current.
> : the current part can be substituted for the new.
S : Interchangeable as a set.