



VN	VIETNAM
----	---------

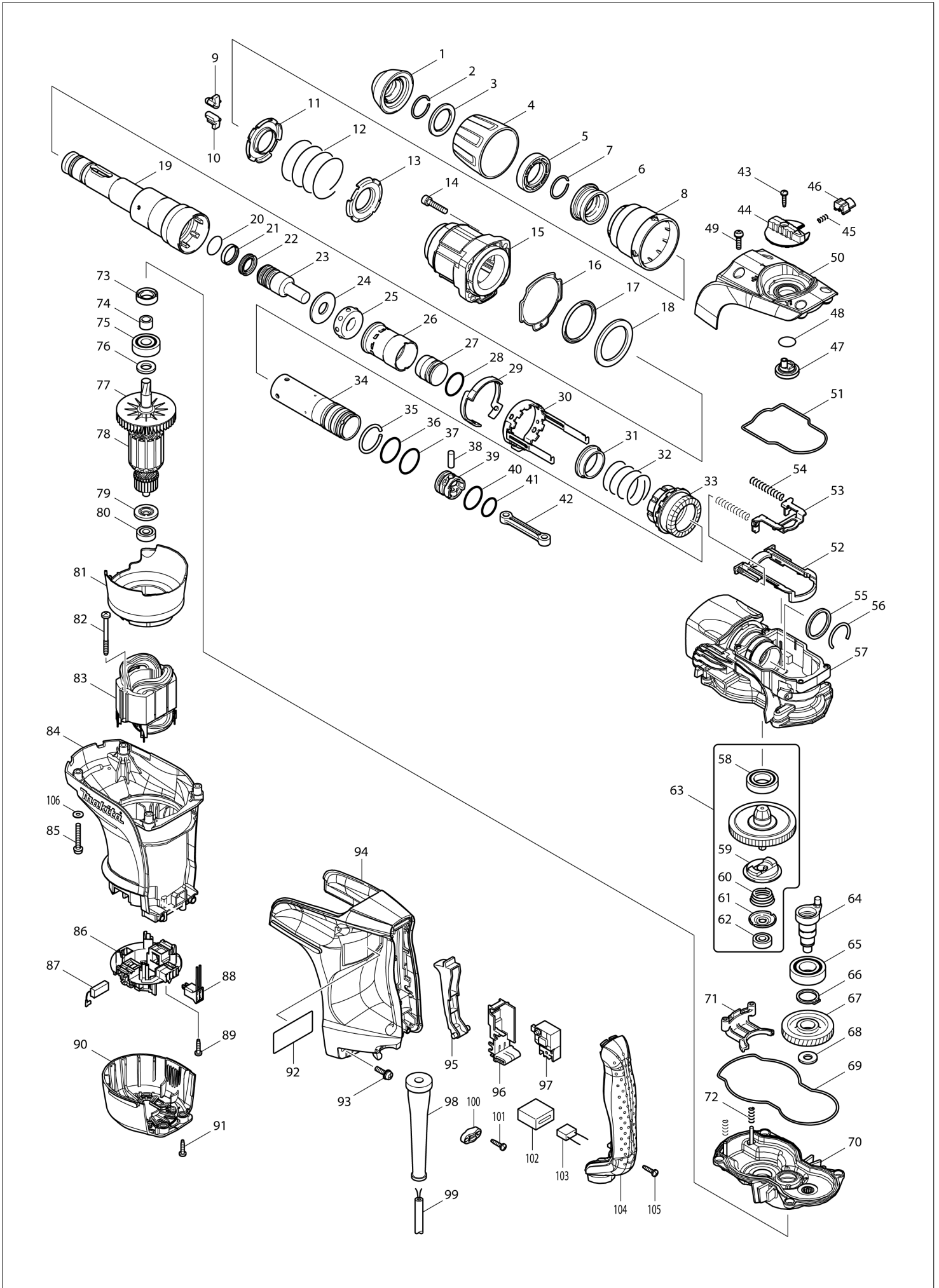
# Diagram / Parts List

**HR4002**

**ROTARY HAMMER 40MM**



(VN) HR4002 / ROTARY HAMMER 40MM



<b>VN</b>	<b>VIETNAM</b>
-----------	----------------

### HR4002 / ROTARY HAMMER 40MM

Item	Sub	Parts No.	Parts Description	Qty	I/C	E/C No.	Close No.	Remark
001		286272-3	TOOL HOLDER CAP	1				
002		231984-3	RING SPRING 25	1				
003		267272-2	FLAT WASHER 28	1				
004		419015-0	CHUCK COVER	1				
005		419002-9	SPACER	1				
006		324548-1	CHUCK RING	1				
007		231984-3	RING SPRING 25	1				
008		419016-8	RELEASE COVER	1				
009		310161-1	TOOL RETAINER	1				
010		310161-1	TOOL RETAINER	1				
011		345579-7	SPRING GUIDE	1				
012		233431-0	COMPRESSION SPRING 48	1				
013		345579-7	SPRING GUIDE	1				
014		922351-0	HEX. SOCKET HEAD BOLT M6X30	4				
015-1		158568-1	BARREL COMPLETE	1			97563	
	C10	213490-0	OIL SEAL 32	1			97563	
	C20	233963-7	RING SPRING 45	1			97563	
015-2		158568-1	BARREL COMPLETE	1	<	97563	98297	
	C10	213490-0	OIL SEAL 32	1		97563	98297	
	C20	233963-7	RING SPRING 45	1		97563	98297	
015-3		141993-3	BARREL COMPLETE	1	<	98297		
	C10	213490-0	OIL SEAL 32	1		98297		
	C20	233963-7	RING SPRING 45	1		98297		
016		424021-2	SEAL SHEET	1			97563	
016-1		424565-2	SEAL SHEET	1	<	97563		
017		262116-1	URETHAN RING 45	1				
018		267336-2	FLAT WASHER 45	1				
019		324542-3	TOOL HOLDER	1				
020		213317-4	O RING 20	1				
021		213392-0	FLUORIDE RING 25	1				
022		213281-9	X-RING 18	1				
023		324569-3	IMPACT BOLT	1				
024		324573-2	RING 17	1				
025		421901-3	RUBBER RING 17	1				
026		419003-7	SLIDE SLEEVE	1				
027		324571-6	STRIKER	1				
028		213962-5	O RING 22	1				
029		419760-7	LOCK SLEEVE GUIDE	1				
030		165446-8	LOCK SLEEVE	1			89641	
030-1		165633-9	LOCK SLEEVE	1	<	89641		
031		331709-6	RING 33	1				
032		233448-3	COMPRESSION SPRING 37	1				
033		227509-9	STRAIGHT BEVEL GEAR 25	1				
034		324570-8	CYLINDER 28.5	1			96662	
034-1		326221-9	CYLINDER 28.5	1	<	96662		
035		233935-2	RING SPRING 32	1				
036		213406-5	O RING 30	1				
037		213406-5	O RING 30	1				
038		256197-5	PIN 7	1				
039		419004-5	PISTON	1				
040		213962-5	O RING 22	1				
041		213379-2	O RING 21	1				
042		419875-0	CONECTING ROD	1			96662	
042-1		419875-0	CONECTING ROD	1	S	96662		
043		266326-2	TAPPING SCREW 4X18	1				
044-1		450428-6	CHANGE LEVER	1				
045		233436-0	COMPRESSION SPRING 3	1				
046		419873-4	LOCK BUTTON	1				
047-1		450427-8	LINK LEVER	1				
048		213265-7	O RING 17	1			97563	
048-1		213278-8	O RING 17	1	<	97563		
049		911231-5	PAN HEAD SCREW M5X20	4				
050-1		168456-4	CRANK CAP COVER COMPLETE	1				
	C10	419919-6	CRANK CAP COVER	1				
051-1		424084-8	SEAL RING	1			97563	

Interchange  
O : Yes  
X : No  
< : the new part can be substituted for the current.  
> : the current part can be substituted for the new.  
S : Interchangeable as a set.

<b>VN</b>	<b>VIETNAM</b>
-----------	----------------

### HR4002 / ROTARY HAMMER 40MM

Item	Sub	Parts No.	Parts Description	Qty	I/C	E/C No.	Close No.	Remark
051-2		424566-0	SEAL RING	1	<	97563		
052		419874-2	LINK PLATE GUIDE	1				
053		345582-8	LINK PLATE	1				
054		233432-8	COMPRESSION SPRING 7	2				
055		257268-1	RING 33	1				
056		233937-8	RING SPRING 31	1				
057		158231-6	CRANK HOUSING COMPLETE	1				
058		211323-3	BALL BEARING 6904LLU	1				
059		324549-9	DRIVING FLANGE	1				
060		233936-0	CONICAL COMPRESSIONSPRING19-27	1				
061		345581-0	CUP WASHER 8	1				
062		210005-4	BALL BEARING 608DDW	1				
063		135086-6	TORQUE LIMITER ASS'Y	1			93275	
	D10		INC. 58-62				93275	
063-1		135508-6	TORQUE LIMITER ASS'Y	1	<	93275		
	C10	267456-2	THIN WASHER 38	1		93275		
	D10		INC. 58-62			93275		
064		324550-4	CRANK SHAFT	1				
065		211332-2	BALL BEARING 6004LLU	1				
066		961060-6	RETAINING RING S-20	1				
067		226648-2	HELICAL GEAR 46	1				
068		253180-3	FLAT WASHER 10	1				
069		424019-9	SEAL RING	1			97563	
069-1		424551-3	SEAL RING	1	<	97563		
070		158232-4	GEAR HOUSING COMPLETE	1			97563	
070-1		158232-4	GEAR HOUSING COMPLETE	1	<	97563		
071		419018-4	CHANGE PLATE	1				
072		233433-6	COMPRESSION SPRING 5	2				
073		213231-4	OIL SEAL 15	1				
074		331596-3	SLEEVE 12	1				
075		211137-0	BALL BEARING 6201LLU	1				
076		253084-9	FLAT WASHER 12	1				
077		241863-7	FAN 70	1				
078		513698-9	ARMATURE ASS'Y 220V	1				
	D10		INC. 74-77,79,80					
079		681644-1	INSULATION WASHER	1				
080		210005-4	BALL BEARING 608DDW	1				
081		419870-0	BAFFLE PLATE	1				
082		266418-7	TAPPING SCREW 5X55	2				
083		625763-3	FIELD 220V	1				
084		419866-1	MOTOR HOUSING	1				
085		922256-4	HEX. SOCKET HEAD BOLT M5X35	4				
086		638393-1	BRUSH HOLDER UNIT	1				
	C10	643816-6	BRUSH HOLDER	2				
	C20	266007-8	TAPPING SCREW BIND PT 3X10	4				
087		194160-9	CARBON BRUSH CB-350	1			85070	
087-1		195004-6	CARBON BRUSH SET CB-350	1	<	85070		
088		638508-0	LEAD UNIT	1				
089		266326-2	TAPPING SCREW 4X18	4				
090		419867-9	REAR COVER	1				
091		266326-2	TAPPING SCREW 4X18	2				
092		863632-2	HR4002 NAME PLATE	1				
093		911233-1	PAN HEAD SCREW M5X20	4				
094		419868-7	HANDLE	1				
095		419025-7	SWITCH LEVER	1				
096		154626-1	SWITCH HOLDER COMPLETE	1				
097		651922-3	SWITCH TG71B	1			96540	
097-1		650677-7	SWITCH C3PA-1112	1	<	96540	99186	
097-2		651922-3	SWITCH TG71B	1	<	99186		
098		682560-0	CORD GUARD 10	1				
099		691025-1	POWER SUPPLY CORD 0.75-2-5.0	1				
100		687140-7	STRAIN RELIEF	1				
101		266326-2	TAPPING SCREW 4X18	2				
102		685725-3	SPONGE SHEET	1		A7306		
103		645105-5	NOISE SUPPRESSOR	1		A7306		

Interchange  
O : Yes  
X : No  
< : the new part can be substituted for the current.  
> : the current part can be substituted for the new.  
S : Interchangeable as a set.

