



VN	VIETNAM
----	---------

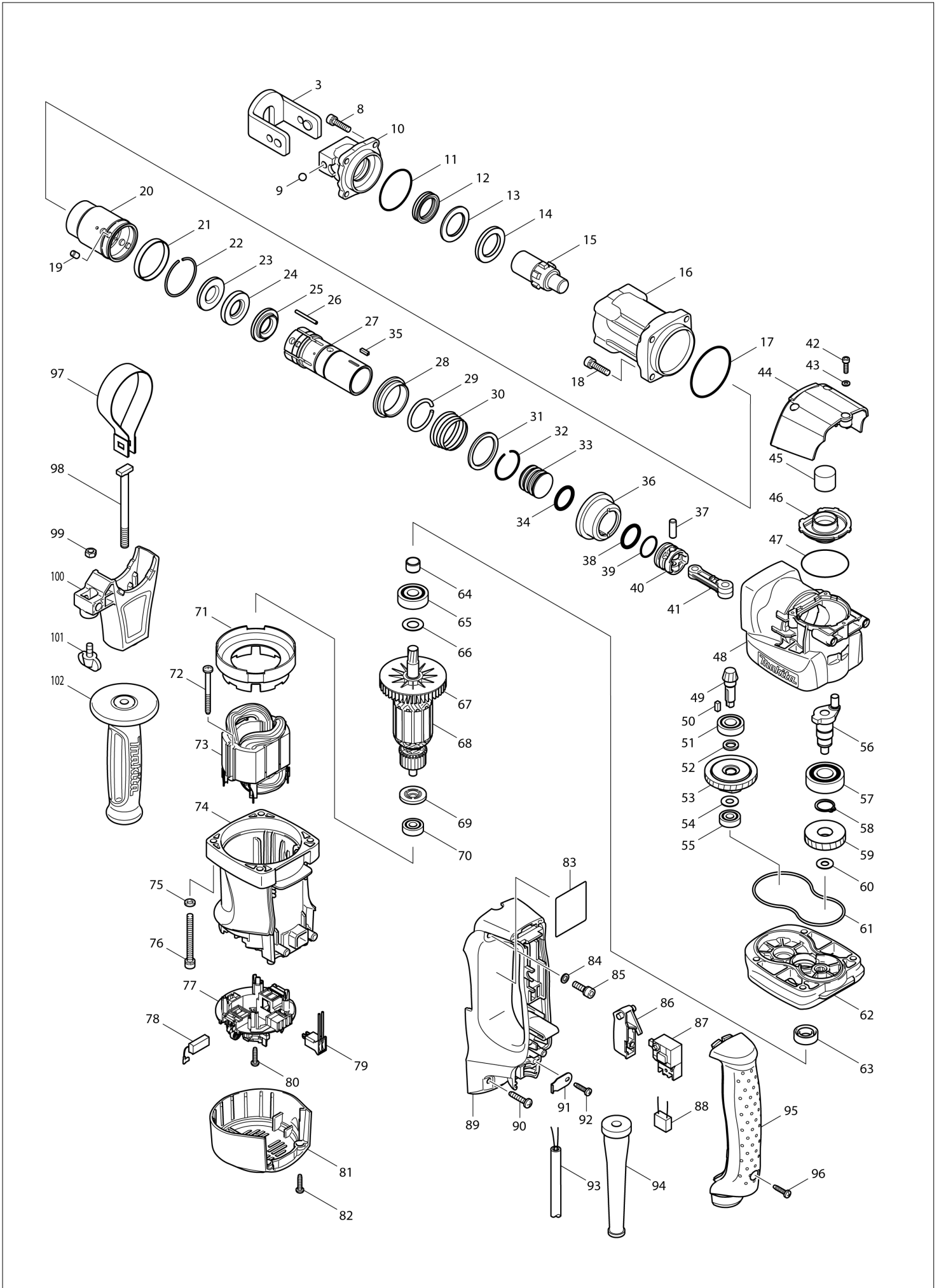
Diagram / Parts List

HR3530

ROTARY HAMMER 35MM



(VN) HR3530 / ROTARY HAMMER 35MM



VN	VIETNAM
-----------	----------------

HR3530 / ROTARY HAMMER 35MM

Item	Sub	Parts No.	Parts Description	Qty	I/C	E/C No.	Close No.	Remark
003		165227-0	TOOL RETAINER	1				
008		265914-2	HEX. SOCKET HEAD BOLT M6X25	4				
009		216004-4	STEEL BALL 7.9	1				
010		324771-8	TOOL HOLDER	1				
011		213569-7	O RING 45	1				
012		213383-1	X RING 25	1				
013		261137-0	NYLON WASHER 26	1				
014		267350-8	FLAT WASHER 26	1				
015		324772-6	IMPACT BOLT	1				
016		158240-5	BARREL COMPLETE	1				
017		213655-4	O RING 56	1				
018		265914-2	HEX. SOCKET HEAD BOLT M6X25	4				
019		256266-2	PIN 6	4				
020		331765-6	CYLINDER A	1				
021		257287-7	RING 44	1				
022		233958-0	RING SPRING 41	1				
023		324773-4	WASHER 17	1				
024		262131-5	NYLON RING 18	1				
025		324774-2	SHOULDER WASHER 18	1				
026		268182-6	PIN 3	4				
027		331766-4	CYLINDER B	1			79216	
027-1		331806-8	CYLINDER B	1	S	79216		
028		331767-2	RING 34	1				
029		233935-2	RING SPRING 32	1				
030		233959-8	C. C. SPRING 35-40	1				
031		267339-6	FLAT WASHER 34	1				
032		233945-9	RING SPRING 32	1			79216	
032-1		233935-2	RING SPRING 32	1	S	79216		
033		324775-0	STRIKER	1				
034		213962-5	O RING 22	1				
035		254236-5	KEY 3	2				
036		227516-2	SPIRAL BEVEL GEAR 39	1				
037		256197-5	PIN 7	1				
038		213962-5	O RING 22	1				
039		213379-2	O RING 21	1				
040		419004-5	PISTON	1				
041		419878-4	CONNECTING ROD	1				
042		266148-0	HEX. SOCKET HEAD BOLT M4X14	3			B8446	
042-1		251590-8	HEX. SOCKET HEAD BOLT M4X14	3	S	B8446		
043		941052-1	FLAT WASHER 4	3			B8446	
044		419880-7	CRANK CAP COVER	1				
045		443127-7	FILTER	1				
046		419879-2	CRANK CAP	1				
047		213606-7	O RING 48	1			93444	
047-1		213608-3	O RING 47	1	<	93444		
048		158241-3	CRANK HOUSING COMPLETE	1				
049		227515-4	SPIRAL BEVEL GEAR 9	1				
050		254239-9	KEY 4	1				
051		211138-8	BALL BEARING 6001LLU	1				
052		267347-7	FLAT WASHER 10	1				
053		125399-3	TORQUE LIMITER ASS'Y	1				
054		253139-0	FLAT WASHER 8	1				
055		210005-4	BALL BEARING 608DDW	1				
056		324776-8	CRANK SHAFT	1				
057		211281-3	BALL BEARING 6203LLU	1				
058		961057-5	RETAINING RING S-17	1				
059		226649-0	HELICAL GEAR 32	1				
060		253865-1	FLAT WASHER 8	1				
061		424022-0	SEAL RING	1				
062		158242-1	GEAR HOUSING COMPLETE	1				
063		213231-4	OIL SEAL 15	1				
064		331596-3	SLEEVE 12	1				
065		211137-0	BALL BEARING 6201LLU	1				
066		253084-9	FLAT WASHER 12	1				
067		241863-7	FAN 70	1				

Interchange
O : Yes
X : No
< : the new part can be substituted for the current.
> : the current part can be substituted for the new.
S : Interchangeable as a set.

VN	VIETNAM
-----------	----------------

HR3530 / ROTARY HAMMER 35MM

Item	Sub	Parts No.	Parts Description	Qty	I/C	E/C No.	Close No.	Remark
068		513723-6	ARMATURE ASS'Y 220V	1				
	D10		INC. 67,69,70					
069		681644-1	INSULATION WASHER	1				
070		210005-4	BALL BEARING 608DDW	1				
071		419881-5	BAFFLE PLATE	1				
072		266095-5	TAPPING SCREW 5X55	2				
073		625778-0	FIELD 220V	1			Y07494	
073-1		625778-0	FIELD 220V	1	O	Y07494		
074		419882-3	MOTOR HOUSING	1				
075		941151-9	FLAT WASHER 6	4			B8446	
076		922381-1	HEX. SOCKET HEAD BOLT M6X60	4			B8446	
076-1		922384-5	H.S.H.BOLT M6X60 WITH WG	4	S	B8446		
077		638501-4	BRUSH HOLDER UNIT	1				
	C10	643816-6	BRUSH HOLDER	2				
	C20	266007-8	TAPPING SCREW BIND PT 3X10	4				
078		194160-9	CARBON BRUSH CB-350	1			85070	
078-1		195004-6	CARBON BRUSH SET CB-350	1	<	85070		
079		638507-2	LEAD UNIT	1				
080		265995-6	TAPPING SCREW 4X18	4				
081		419883-1	REAR COVER	1				
082		265995-6	TAPPING SCREW 4X18	2				
083		863763-7	HR3530 NAME PLATE	1				
084		941152-7	FLAT WASHER 6	2			B8446	
085		265905-3	HEX. SOCKET HEAD BOLT M6X20	2			B8446	
085-1		251591-6	HEX.SOCKET HEAD BOLT M6X20	2	S	B8446		
086		418549-0	SWITCH LEVER	1				
087		651922-3	SWITCH TG71B	1			96325	
087-1		650677-7	SWITCH C3PA-1112	1	<	96325	A3631	
087-2		650677-7	SWITCH C3PA-1112	1	X	A3631		
088		645105-5	NOISE SUPPRESSOR	1		A7794		
089		158243-9	HANDLE COMPLETE	1				
090		266041-8	TAPPING SCREW 5X25	2				
091		687169-3	STRAIN RELIEF	1				
092		265995-6	TAPPING SCREW 4X18	1				
093		691025-1	POWER SUPPLY CORD 0.75-2-5.0	1				
094		682560-0	CORD GUARD 10	1				
095		419677-4	HANDLE COVER	1				
096		265995-6	TAPPING SCREW 4X18	1				
097		345361-4	GRIP SPRING 60	1				
098		266406-4	SQUARE BOLT M8X95	1			91874	
098-1		266406-4	SQUARE BOLT M8X95	1	<	91874		
099		931302-2	HEX. NUT M6	1				
100		419885-7	SIDE GRIP BASE 61	1				
101		265701-9	THUMB SCREW M6X14	1				
102		158131-0	GRIP 36 COMPLETE	1				
A01		158280-3	PLASTIC CARRYING CASE COMPLETE	1			93695	
	C10	162202-7	LATCH	2			93695	
	C20	416549-4	HANDLE	1			93695	
	C30	416556-7	COVER	2			93695	
	C40	819140-1	MAKITA LOGO LABEL	1			93695	
	C50	810960-6	CAUTION LABEL	1			93695	
A01-1		824796-7	PLASTIC CARRYING CASE	1	<	93695		
	C10	162202-7	LATCH	2		93695		
	C20	416549-4	HANDLE	1		93695		
	C30	416556-7	COVER	2		93695		
	C40	819140-1	MAKITA LOGO LABEL	1		93695		
A02		321248-4	DEPTH GAUGE	1				
A03		805857-2	HR3530 MODEL NO. LABEL	1				
A04		194160-9	CARBON BRUSH CB-350	2			85070	
A04-1		195004-6	CARBON BRUSH SET CB-350	2	<	85070	87444	

Interchange
O : Yes
X : No
< : the new part can be substituted for the current.
> : the current part can be substituted for the new.
S : Interchangeable as a set.