



VN	VIETNAM
----	---------

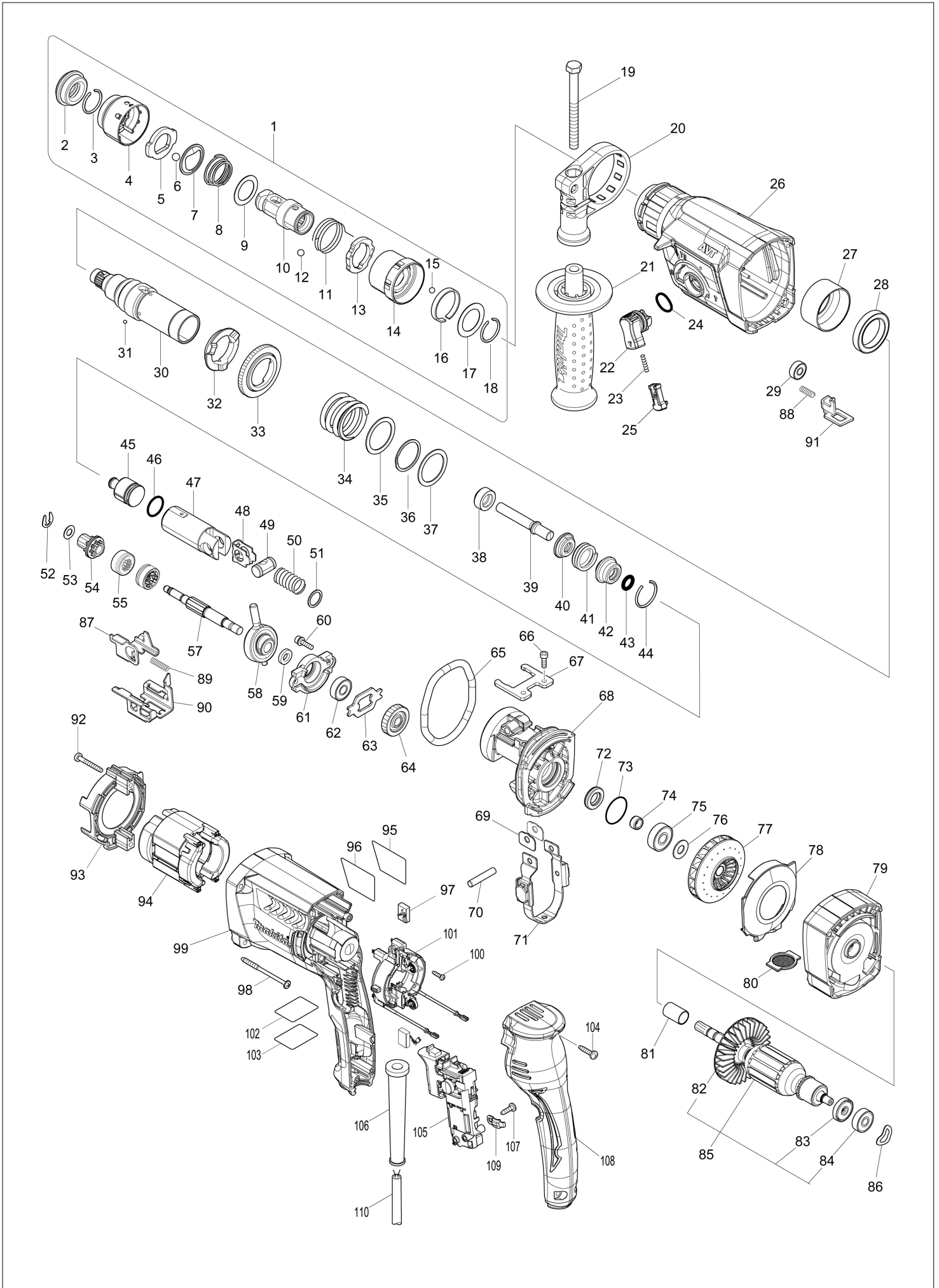
Diagram / Parts List

HR2651T

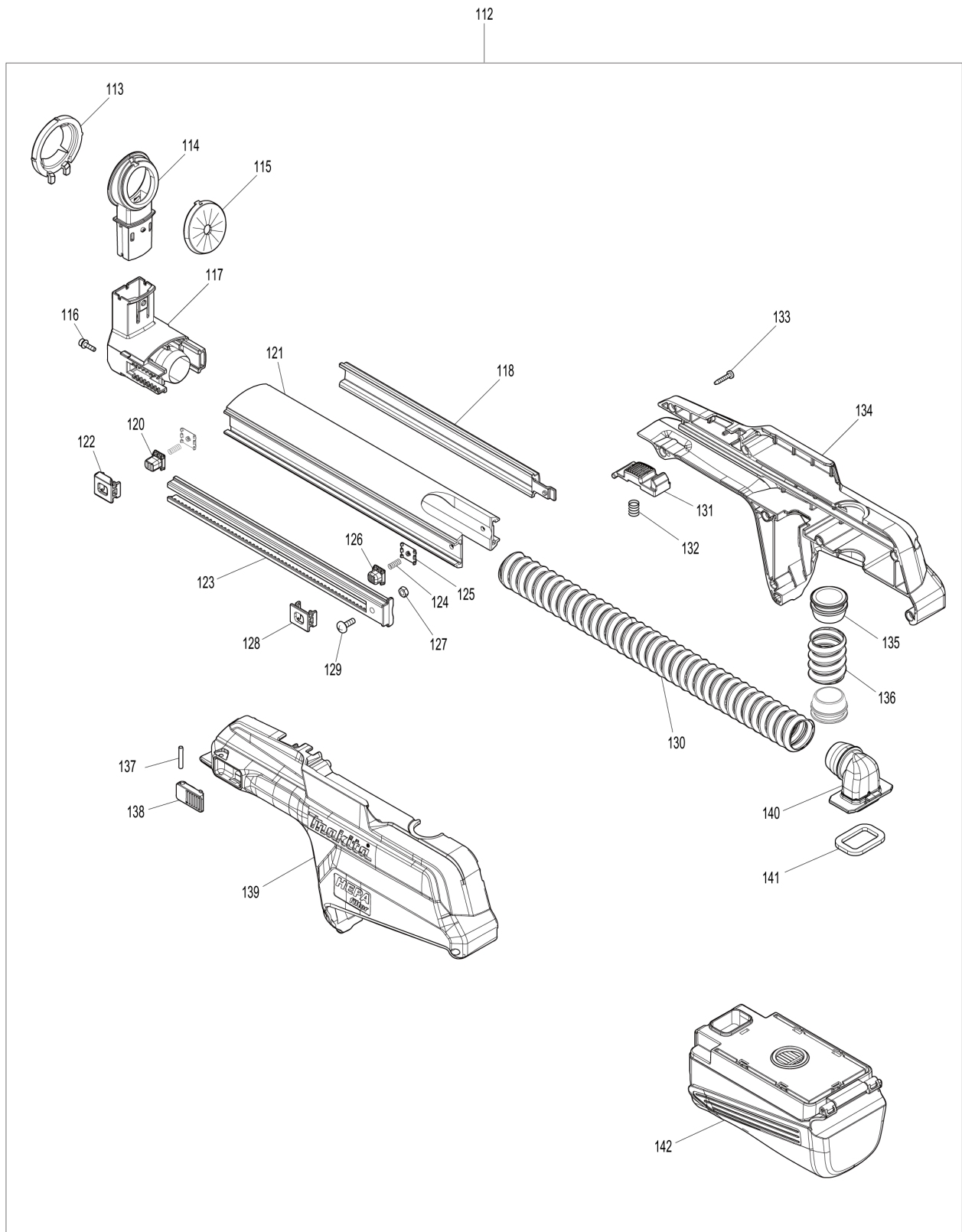
26MM COMB.HAMMER W/DUST EXT.



(VN) HR2651T / 26MM COMB.HAMMER W/DUST EXT.



(VN) HR2651T / 26MM COMB.HAMMER W/DUST EXT.



VN	VIETNAM
-----------	----------------

HR2651T / 26MM COMB.HAMMER W/DUST EXT.

Item	Sub	Parts No.	Parts Description	Qty	I/C	E/C No.	Close No.	Remark
001		194080-7	TOOL HOLDER SET	1				
	D10		INC. 2-18					
002		286263-4	CAP 35	1				
003		233940-9	RING SPRING 19	1				
004		418217-5	CHUCK COVER	1				
005		345333-9	STOPPER	1				
006		216022-2	STEEL BALL 7.0	1				
007		345187-4	GUIDE WASHER	1				
008		233916-6	CONICAL COMP. SPRING 21-29	1				
009		267279-8	FLAT WASHER 21	1				
010		324355-2	TOOL HOLDER	1				
011		231669-1	TORSION SPRING 31	1				
012		216013-3	STEEL BALL 6	2				
013		345334-7	CHANGE RING	1				
014		418218-3	CHANGE COVER	1				
015		216018-3	STEEL BALL 5.0	1				
016		345335-5	LEAF SPRING	1				
017		267270-6	FLAT WASHER 24	1				
018		233924-7	RING SPRING 21	1				
019		266745-2	HEX.BOLT M8X90	1				
020		453129-5	GRIP BASE	1				
021		158057-6	GRIP 36 COMPLETE	1				
	C10	931402-8	HEX. NUT M8	1				
022		457709-9	LOCK BUTTON	1			Y07624	
022-1		161656-5	CHANGE LEVER COMPLETE	1	X	Y07624		
023		234264-6	COMPRESSION SPRING 3	1				
024		213278-8	O RING 17	1				
025		161656-5	CHANGE LEVER COMPLETE	1			Y07624	
025-1		457709-9	LOCK BUTTON	1	X	Y07624		
026		144615-4	GEAR HOUSING COMPLETE	1			C3971	
	C10	213636-8	OIL SEAL 25	1			C3971	
026-1		140D00-3	GEAR HOUSING COMPLETE	1	S	C3971		
	C10	213636-8	OIL SEAL 25	1		C3971		
027		331890-3	CUP SLEEVE	1				
028		211294-4	BALL BEARING 6806LLU	1				
029		210028-2	BALL BEARING 606ZZ	1				
030		140266-1	TOOL HOLDERGUIDE COMPLETE	1				
	C10	213344-1	OIL SEAL 9	1				
031		216019-1	STEEL BALL 3	4				
032		332139-4	DRIVING FLANGE	1				
033		227360-7	SPUR GEAR 51	1				
034		234148-8	COMPRESSION SPRING 31	1				
035		267153-0	FLAT WASHER 30	1				
036		257932-4	SPIRO LOCK WASHER 30	1				
037		267153-0	FLAT WASHER 30	1				
038		325783-4	SLEEVE 9B	1				
039		325791-5	IMPACT BOLT B	1				
040		325792-3	WASHER 10	1				
041		234149-6	COMPRESSION SPRING 20	1				
042		325793-1	O-RING CASE B	1				
043		213073-6	O RING 9	1				
044		233979-2	RING SPRING 28	1				
045		325784-2	STRIKER	1				
046		213258-4	O RING 17.5	1				
047		310345-1	PISTON CYLINDER	1				
048		346036-8	GUIDE PLATE	1				
049		324215-8	PISTON JOINT	1				
050		234098-7	COMPRESSION SPRING 14	1				
051		267447-3	FLAT WASHER 14	1				
052		257336-0	STOP RING EXT U-6	1				
053		253186-1	FLAT WASHER 7	1				
054		227359-2	SPUR GEAR 10	1				
055		332125-5	CLUTCH CAM	2				
057		326448-1	CAM SHAFT	1				
058		219023-9	SWASH BEARING 10	1				

Interchange
O : Yes
X : No
< : the new part can be substituted for the current.
> : the current part can be substituted for the new.
S : Interchangeable as a set.

VN	VIETNAM
-----------	----------------

HR2651T / 26MM COMB.HAMMER W/DUST EXT.

Item	Sub	Parts No.	Parts Description	Qty	I/C	E/C No.	Close No.	Remark
059		257321-3	RING 8	1				
060		266437-3	HEX. SOCKET HEAD BOLT M4X16	2				
061		310344-3	BEARING BOX	1				
062		211032-4	BALL BEARING 608ZZ	1				
063		285735-6	BEARING RETAINER	1				
064		227719-8	HELICAL GEAR 26	1				
065		213728-3	O-RING 68	1				
066		265353-6	HEX. SOCKET HEAD BOLT M4X12	2				
067		346222-1	PLATE	1				
068		141573-5	INNER HOUSING COMPLETE	1				
069		346180-1	WEIGHT HOLDER GUIDE	2				
070		256246-8	PIN 6	1				
071		161655-7	COUNTER WEIGHT	1				
072		213678-2	OIL SEAL 12	1				
073		213407-3	O RING 26	1				
074		262569-4	SLEEVE 9	1				
075		210042-8	BALL BEARING 629LLB	1				
076		253733-8	FLAT WASHER 9	1				
077		240182-8	FAN 65	1				
078		457711-2	BAFFLE PLATE	1				
079		457710-4	FAN HOUSING	1				
080		457713-8	FILTER PLATE	1				
081		262184-4	SLEEVE 10	1				
082		240121-8	FAN 65	1				
083		681652-2	INSULATION WASHER	1				
084		210023-2	BALL BEARING 627DDW	1				
085		515423-4	ARMATURE ASSY 220V	1				
	D10		INC. 82-84					
086		267804-5	WAVE WASHER 15	1				
087		347230-5	CHANGE PLATE B	1				
088		233360-7	COMPRESSION SPRING 4	1				
089		234343-0	COMPRESSION SPRING 5	1				
090		347229-0	CHANGE PLATE A	1				
091		347228-2	LOCK PLATE	1				
092		266361-0	TAPPING SCREW 4X30	2				
093		451527-7	BAFFLE PLATE	1				
094		621873-4	FIELD	1				
095		819390-8	CLEAR LABEL	1				
096		853M12-8	HR2651T NAME PLATE	1				
097		195001-2	CARBON BRUSH SET CB-325	1				
098		266334-3	TAPPING SCREW 4X60	4				
099		451536-6	MOTOR HOUSING	1				
100		266556-5	TAPPING SCREW 3X12	2				
101		632K38-9	BRUSH HOLDER UNIT	1				
102		853M16-0	HR2651T SERIAL NO. LABEL	1				
103		819389-3	CLEAR LABEL	1				
104		266326-2	TAPPING SCREW 4X18	3				
105		651090-2	SWITCH TG853TB-3	1				
106		682566-8	CORD GUARD 10	1				
107		266385-6	TAPPING SCREW 4X14	1				
108		451528-5	HANDLE COVER	1				
109		687682-1	STRAIN RELIEF	1				
110		691015-4	POWER SUPPLY CORD 0.75-2-2.5	1				
112		135906-4	DUST CASE ASSY	1			C2805	
	D10		INC. 113-118,120-142				C2805	
112-1		135995-9	DUST CASE ASSY	1	<	C2805	C3536	
	D10		INC. 113-118,120-142			C2805	C3536	
112-2		136007-1	DUST CASE ASSY	1	<	C3536	C3971	
	D10		INC. 113-118,120-142			C3536	C3971	
112-3		136017-8	DUST CASE ASSEMBLY	1	S	C3971	D1224	
	D10		INC. 113-118,120-142			C3971	D1224	
112-4		136257-8	DUST CASE ASS'Y	1	O	D1224	DB311	
	D10		INC. 113-118,120-142			D1224	DB311	
112-5		136522-5	DUST CASE ASS'Y	1	O	DB311	DA213	
	D10		INC. 113-118,120-142			DB311	DA213	

Interchange
O : Yes
X : No
< : the new part can be substituted for the current.
> : the current part can be substituted for the new.
S : Interchangeable as a set.

VN	VIETNAM
-----------	----------------

HR2651T / 26MM COMB.HAMMER W/DUST EXT.

Item	Sub	Parts No.	Parts Description	Qty	I/C	E/C No.	Close No.	Remark
112-6		136522-5	DUST CASE ASS'Y	1	O	DA213		
	D10		INC. 113-118,120-142			DA213		
113		424722-2	FITTING RUBBER	1				
114		455736-0	COLLECTOR	1				
115		424474-5	SEALING CAP	1				
116		251568-1	H.S.H.BOLT M3X12 WITH WR	2				
117		457729-3	COLLECTOR BASE B	1				
118		457723-5	PIPE COVER	1				
120		457718-8	PUSH BUTTON B	1				
121		326988-9	SLIDE PIPE	1				
122		457728-5	STOPPER BASE B	1				
123		457722-7	RACK GUIDE	1				
124		232386-6	COMPRESSION SPRING 4	2				
125		457721-9	SPRING PLATE	2				
126		457717-0	PUSH BUTTON A	1				
127		931102-0	HEX. NUT M4	1				
128		457719-6	STOPPER BASE A	1				
129		251314-2	+ SCREW M4X12	1				
130		245043-7	HOSE 30 D	1			C3971	
130-1		245045-3	HOSE 30	1	S	C3971		
131		457716-2	LOCK LEVER	1			C3536	
131-1		458668-0	LOCK LEVER	1	<	C3536		
132		231316-4	COMPRESSION SPRING 7	1				
133		266130-9	TAPPING SCREW BIND PT 3X16	8				
134		183G77-3	HOUSING SET	1			C3971	
	D10		INC. 139				C3971	
134-1		183K50-7	HOUSING SET	1	S	C3971		
	D10		INC. 139			C3971		
135		457712-0	JOINT SLEEVE	2				
136		245042-9	HOSE 30 C	1			C2805	
136-1		245047-9	HOSE 30	1	<	C2805	D1224	
136-2		245042-9	HOSE 30 C	1	O	D1224	DB311	
136-3		245047-9	HOSE 30	1	O	DB311		
137		256158-5	PIN 3	1				
138		457720-1	PUSH LEVER	1				
139		183G77-3	HOUSING SET	1			C3971	
	D10		INC. 134				C3971	
139-1		183K50-7	HOUSING SET	1	S	C3971		
	D10		INC. 134			C3971		
140		457724-3	INNER PIPE	1				
141		457725-1	SPONGE SHEET B	1				
142		198982-9	DUST CASE SET	1		B9984	C5865	
	C10	196165-5	FILTER SET	1		B9984	C5865	
142-1		198981-1	DUST CASE SET EU	1	<	C5865	C6815	
	C10	196165-5	FILTER SET	1		C5865	C6815	
142-2		199978-3	DUST CASE SET	1	O	C6815	DA213	
	C10	199557-7	FILTER SET	1		C6815	DA213	
142-3		199978-3	DUST CASE SET	1	O	DA213		
	C10	199557-7	FILTER SET	1		DA213		
143		422316-7	RUBBER SHEET	1		C2286	C3536	
144		422317-5	SPONGE SHEET	2		C2286	C3971	
145		458687-6	STOPPER	1	S	C3971		
146		422315-9	DAMPER	1	S	C3971		
A01		324219-0	DEPTH GAUGE	1				
A02		424474-5	SEALING CAP	5				
A03		821722-7	PLASTIC CASE	1			C5275	
	C10	162302-3	LATCH	2			C5275	
A03-1		821780-3	PLASTIC CASE	1	<	C5275		
	C10	162302-3	LATCH	2		C5275		
A07		194079-2	DRILL CHUCK SET	1				

Interchange
O : Yes
X : No
< : the new part can be substituted for the current.
> : the current part can be substituted for the new.
S : Interchangeable as a set.