



VN	VIETNAM
----	---------

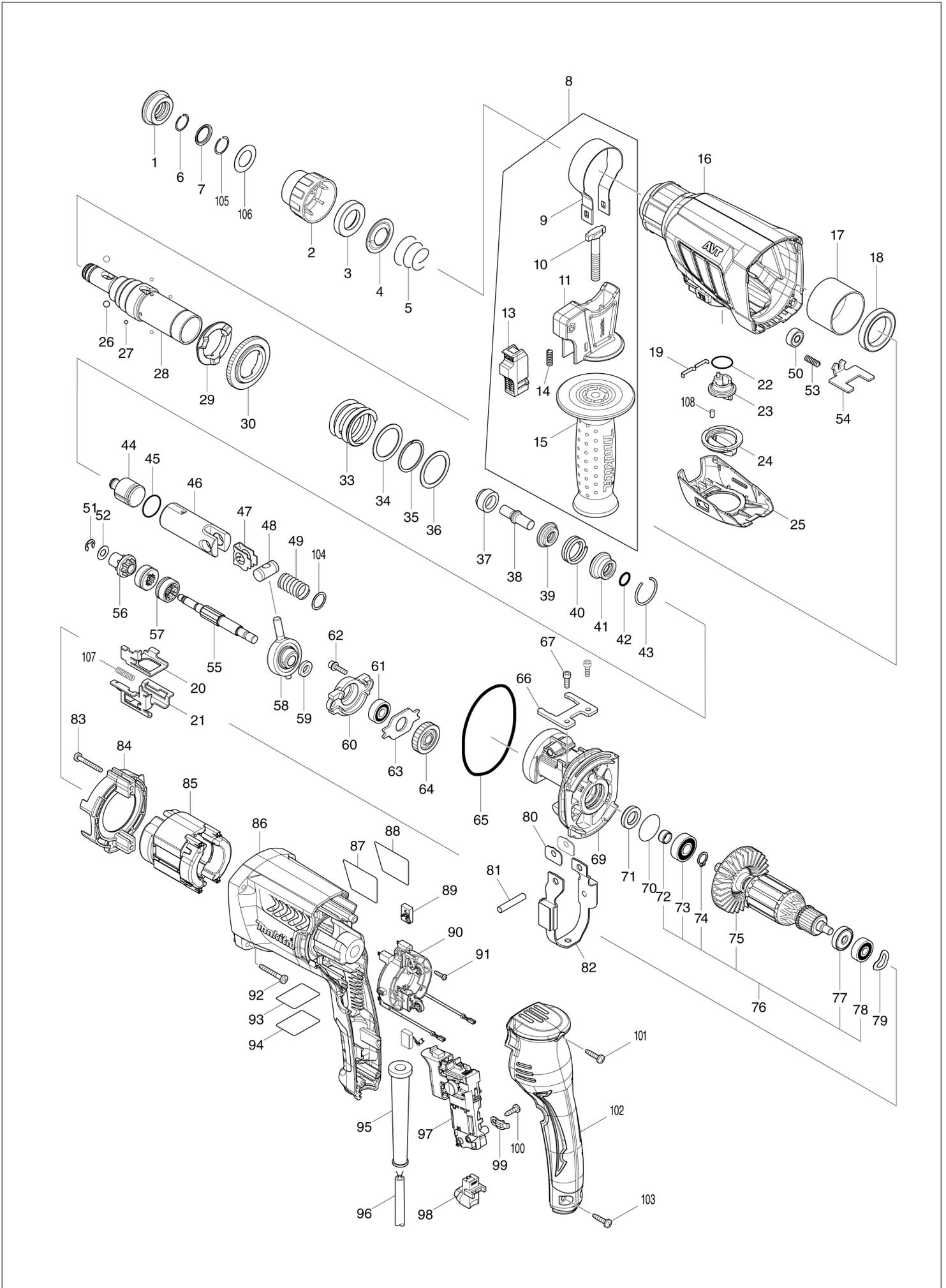
Diagram / Parts List

HR2631F

26MM COMBINATION HAMMER



(VN) HR2631F / 26MM COMBINATION HAMMER



VN	VIETNAM
-----------	----------------

HR2631F / 26MM COMBINATION HAMMER

Item	Sub	Parts No.	Parts Description	Qty	I/C	E/C No.	Close No.	Remark
001		286288-8	CAP 35	1				
002		455393-4	CHUCK COVER	1				
003		325813-1	RING 21	1				
004		346177-0	GUIDE WASHER	1				
005		233916-6	CONICAL COMP. SPRING 21-29	1				
006		233989-9	RING SPRING 14	1				
007		346834-0	WASHER 16	1				
008		122878-2	GRIP ASSEMBLY	1				
	D10		INC. 9-11,13-15					
009		346181-9	GRIP SPRING 50	1				
010		266349-0	SQUARE BOLT M8X50	1				
011		451539-0	GRIP BASE	1				
013		141765-6	LOCK BUTTON COMPLETE	1				
014		233360-7	COMPRESSION SPRING 4	1				
015		154935-8	GRIP 36 COMPLETE	1				
016		142970-8	GEAR HOUSING COMPLETE	1				
	C10							
		213636-8	OIL SEAL 25	1				
017		331890-3	CUP SLEEVE	1				
018		211294-4	BALL BEARING 6806LLU	1				
019		232286-0	LEAF SPRING	1				
020		346833-2	CHANGE PLATE B	1				
021		346832-4	CHANGE PLATE A	1				
022		213278-8	O RING 17	1				
023		455392-6	CHANGE LEVER	1				
024		455394-2	CHANGE LEVER CAP	1				
025		455391-8	CHANGE LEVER COVER	1				
026		216022-2	STEEL BALL 7.0	2				
027		216019-1	STEEL BALL 3	4				
028		142972-4	TOOL HOLDER COMPLETE	1				
	C10							
		213344-1	OIL SEAL 9	1				
029		332139-4	DRIVING FLANGE	1				
030		227360-7	SPUR GEAR 51	1				
033		234148-8	COMPRESSION SPRING 31	1				
034		267153-0	FLAT WASHER 30	1				
035		257932-4	SPIRO LOCK WASHER 30	1				
036		267153-0	FLAT WASHER 30	1				
037		325783-4	SLEEVE 9B	1				
038		325789-2	IMPACT BOLT A	1				
039		325792-3	WASHER 10	1				
040		234149-6	COMPRESSION SPRING 20	1				
041		325793-1	O-RING CASE B	1				
042		213073-6	O RING 9	1				
043		233979-2	RING SPRING 28	1				
044		325784-2	STRIKER	1				
045		213258-4	O RING 17.5	1				
046		310345-1	PISTON CYLINDER	1				
047		346036-8	GUIDE PLATE	1				
048		324215-8	PISTON JOINT	1				
049		234098-7	COMPRESSION SPRING 14	1				
050		210028-2	BALL BEARING 606ZZ	1				
051		257336-0	STOP RING EXT U-6	1				
052		253186-1	FLAT WASHER 7	1				
053		233360-7	COMPRESSION SPRING 4	1				
054		346831-6	LOCK PLATE	1				
055		326448-1	CAM SHAFT	1				
056		227359-2	SPUR GEAR 10	1				
057		332125-5	CLUTCH CAM	2				
058		219023-9	SWASH BEARING 10	1				
059		257321-3	RING 8	1				
060		310344-3	BEARING BOX	1				
061		211032-4	BALL BEARING 608ZZ	1				
062		266437-3	HEX. SOCKET HEAD BOLT M4X16	2				
063		285735-6	BEARING RETAINER	1				
064		227719-8	HELICAL GEAR 26	1				
065		213728-3	O-RING 68	1				

A:HR2631F(H)
 B:HR2631FX5(H)
 C:HR2631FX5(H)

Interchange
 O : Yes
 X : No
 < : the new part can be substituted for the current.
 > : the current part can be substituted for the new.
 S : Interchangeable as a set.

