



VN	VIETNAM
----	---------

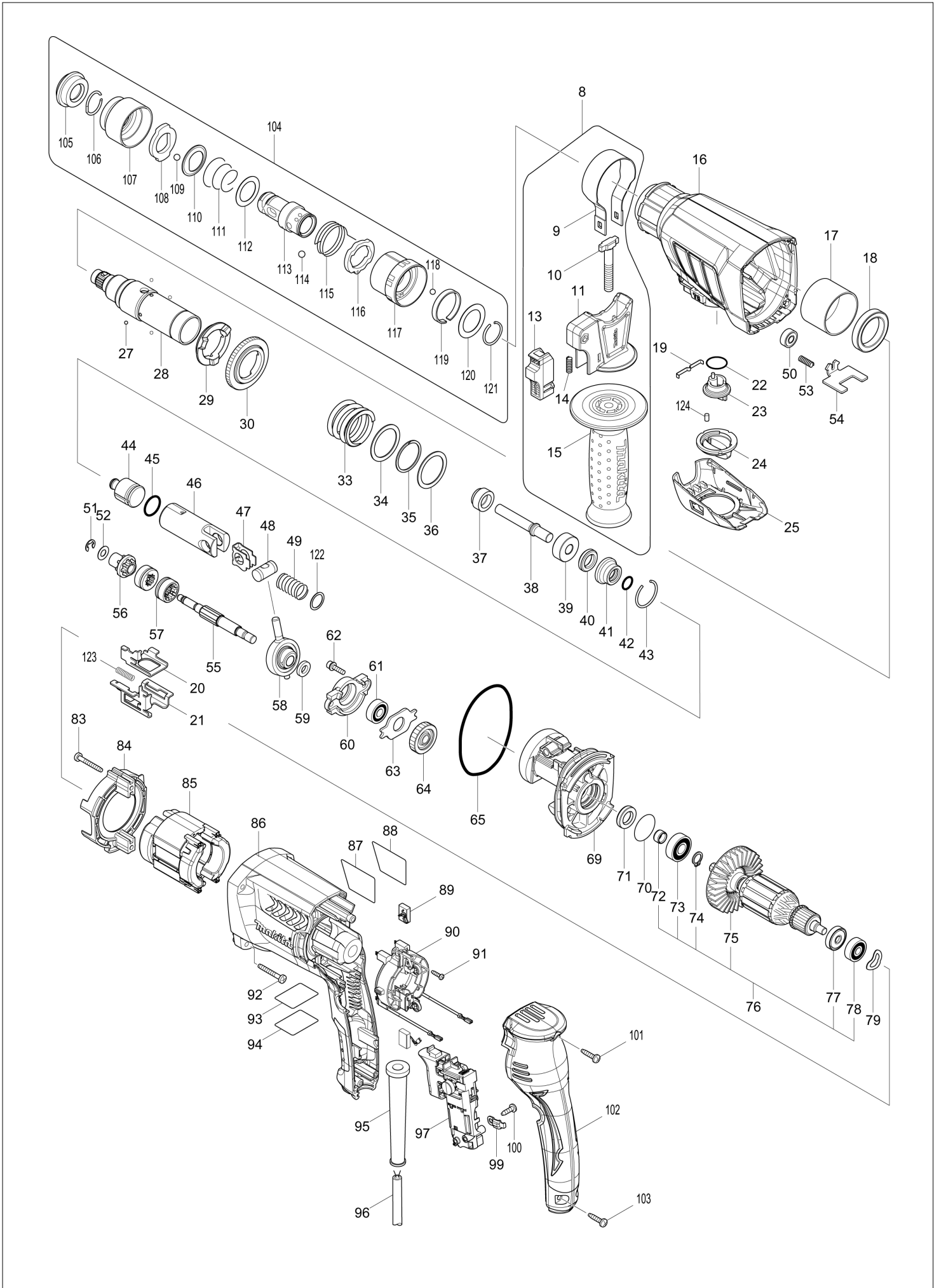
Diagram / Parts List

HR2630T

26MM COMBINATION HAMMER



(VN) HR2630T / 26MM COMBINATION HAMMER



VN	VIETNAM
-----------	----------------

HR2630T / 26MM COMBINATION HAMMER

Item	Sub	Parts No.	Parts Description	Qty	I/C	E/C No.	Close No.	Remark
008		122878-2	GRIP ASSEMBLY	1				
	D10		INC. 9-11,13-15					
009		346181-9	GRIP SPRING 50	1				
010		266349-0	SQUARE BOLT M8X50	1				
011		451539-0	GRIP BASE	1				
013		141765-6	LOCK BUTTON COMPLETE	1				
014		233360-7	COMPRESSION SPRING 4	1				
015		154935-8	GRIP 36 COMPLETE	1				
016		142971-6	GEAR HOUSING COMPLETE	1				
	C10	213636-8	OIL SEAL 25	1				
017		331890-3	CUP SLEEVE	1				
018		211294-4	BALL BEARING 6806LLU	1				
019		232286-0	LEAF SPRING	1				
020		346833-2	CHANGE PLATE B	1				
021		346832-4	CHANGE PLATE A	1				
022		213278-8	O RING 17	1				
023		455392-6	CHANGE LEVER	1				
024		455394-2	CHANGE LEVER CAP	1				
025		455391-8	CHANGE LEVER COVER	1				
027		216019-1	STEEL BALL 3	4				
028		140266-1	TOOL HOLDERGUIDE COMPLETE	1				
	C10	213344-1	OIL SEAL 9	1				
029		332139-4	DRIVING FLANGE	1				
030		227360-7	SPUR GEAR 51	1				
033		234148-8	COMPRESSION SPRING 31	1				
034		267153-0	FLAT WASHER 30	1				
035		257932-4	SPIRO LOCK WASHER 30	1				
036		267153-0	FLAT WASHER 30	1				
037		325783-4	SLEEVE 9B	1				
038		325791-5	IMPACT BOLT B	1				
039		325795-7	RING 10B	1				
040		424267-0	CUSHION RING 12	1				
041		325798-1	O-RING CASE A	1				
042		213073-6	O RING 9	1				
043		233979-2	RING SPRING 28	1				
044		325784-2	STRIKER	1				
045		213258-4	O RING 17.5	1				
046		310345-1	PISTON CYLINDER	1				
047		346036-8	GUIDE PLATE	1				
048		324215-8	PISTON JOINT	1				
049		234098-7	COMPRESSION SPRING 14	1				
050		210028-2	BALL BEARING 606ZZ	1				
051		257336-0	STOP RING EXT U-6	1				
052		253186-1	FLAT WASHER 7	1				
053		233360-7	COMPRESSION SPRING 4	1				
054		346831-6	LOCK PLATE	1				
055		326448-1	CAM SHAFT	1				
056		227359-2	SPUR GEAR 10	1				
057		332125-5	CLUTCH CAM	2				
058		219014-0	SWASH BEARING 10	1				
059		257321-3	RING 8	1				
060		310344-3	BEARING BOX	1				
061		211032-4	BALL BEARING 608ZZ	1				
062		266437-3	HEX. SOCKET HEAD BOLT M4X16	2				
063		285735-6	BEARING RETAINER	1				
064		227719-8	HELICAL GEAR 26	1				
065		213728-3	O-RING 68	1				
069		141572-7	INNER HOUSING COMPLETE	1				
	C10	443153-6	FELT	1				
070		213407-3	O RING 26	1				
071		213678-2	OIL SEAL 12	1				
072		262569-4	SLEEVE 9	1				
073		211097-6	BALL BEARING 6000LLB	1				
074		961006-2	RETAINING RING S-10	1				
075		240121-8	FAN 65	1				

Interchange
O : Yes
X : No
< : the new part can be substituted for the current.
> : the current part can be substituted for the new.
S : Interchangeable as a set.

VN	VIETNAM
----	---------

HR2630T / 26MM COMBINATION HAMMER

Item	Sub	Parts No.	Parts Description	Qty	I/C	E/C No.	Close No.	Remark
076		515358-9	ARMATURE ASSEMBLY 220V	1				
	D10		INC. 72-75,77,78					
077		681652-2	INSULATION WASHER	1				
078		210023-2	BALL BEARING 627DDW	1				
079		267804-5	WAVE WASHER 15	1				
083		266361-0	TAPPING SCREW 4X30	2				
084		451527-7	BAFFLE PLATE	1				
085		626633-9	FIELD 220V	1				
086		451536-6	MOTOR HOUSING	1				
087		850M38-1	HR2630T NAME PLATE	1				
088		819390-8	CLEAR LABEL	1				
089		195001-2	CARBON BRUSH SET CB-325	1				
090		638655-7	BRUSH HOLDER UNIT	1				
091		266556-5	TAPPING SCREW 3X12	2				
092		266361-0	TAPPING SCREW 4X30	4				
093		850M42-0	HR2630T SERIAL NO. LABEL	1				
094		819389-3	CLEAR LABEL	1				
095		682566-8	CORD GUARD 10	1				
096		691015-4	POWER SUPPLY CORD 0.75-2-2.5	1				
097		650625-6	SWITCH	1			C2206	
097-1		651090-2	SWITCH TG853TB-3	1	O	C2206		
099		687682-1	STRAIN RELIEF	1				
100		266385-6	TAPPING SCREW 4X14	1				
101		266326-2	TAPPING SCREW 4X18	1				
102		451528-5	HANDLE COVER	1				
103		266326-2	TAPPING SCREW 4X18	2				
104		194080-7	TOOL HOLDER SET	1				
	D10		INC. 105-121					
105		286263-4	CAP 35	1				
106		233940-9	RING SPRING 19	1				
107		418217-5	CHUCK COVER	1				
108		345333-9	STOPPER	1				
109		216022-2	STEEL BALL 7.0	1				
110		345187-4	GUIDE WASHER	1				
111		233916-6	CONICAL COMP. SPRING 21-29	1				
112		267279-8	FLAT WASHER 21	1				
113		324355-2	TOOL HOLDER	1				
114		216013-3	STEEL BALL 6	2				
115		231669-1	TORSION SPRING 31	1				
116		345334-7	CHANGE RING	1				
117		418218-3	CHANGE COVER	1				
118		216018-3	STEEL BALL 5.0	1				
119		345335-5	LEAF SPRING	1				
120		267270-6	FLAT WASHER 24	1				
121		233924-7	RING SPRING 21	1				
122		267447-3	FLAT WASHER 14	1				
123		234343-0	COMPRESSION SPRING 5	1				
124		263005-3	RUBBER PIN 6	1				
A01		194079-2	DRILL CHUCK SET	1			B1754	
A01-1		194079-2	DRILL CHUCK SET	1	<	B1754		
A02		331886-4	DEPTH GAUGE	1				
A03		824916-3	PLASTIC CARRYING CASE	1				
	C10	162302-3	LATCH	2				

Interchange
O : Yes
X : No
< : the new part can be substituted for the current.
> : the current part can be substituted for the new.
S : Interchangeable as a set.